

ASSEMBLY INSTRUCTION

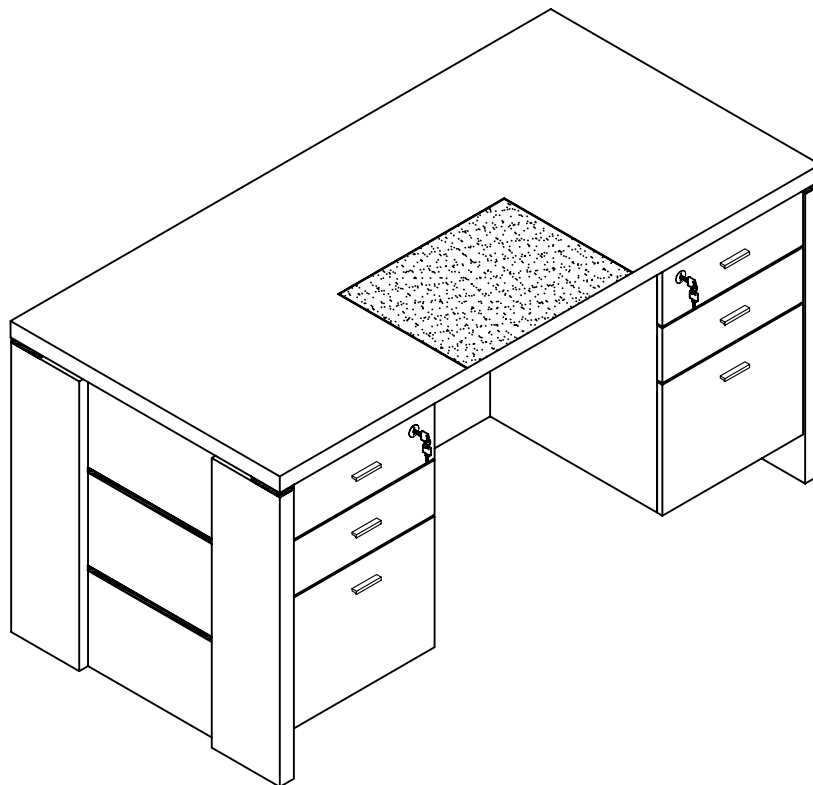
PLEASE READ BEFORE ASSEMBLING!

Tip #1: Make sure you've taken all the pieces and hardware out of its packaging before discarding the box.

Tip #2: Using page 2 and/or page 3 of instruction manual make sure all pieces and hardware are accounted for.

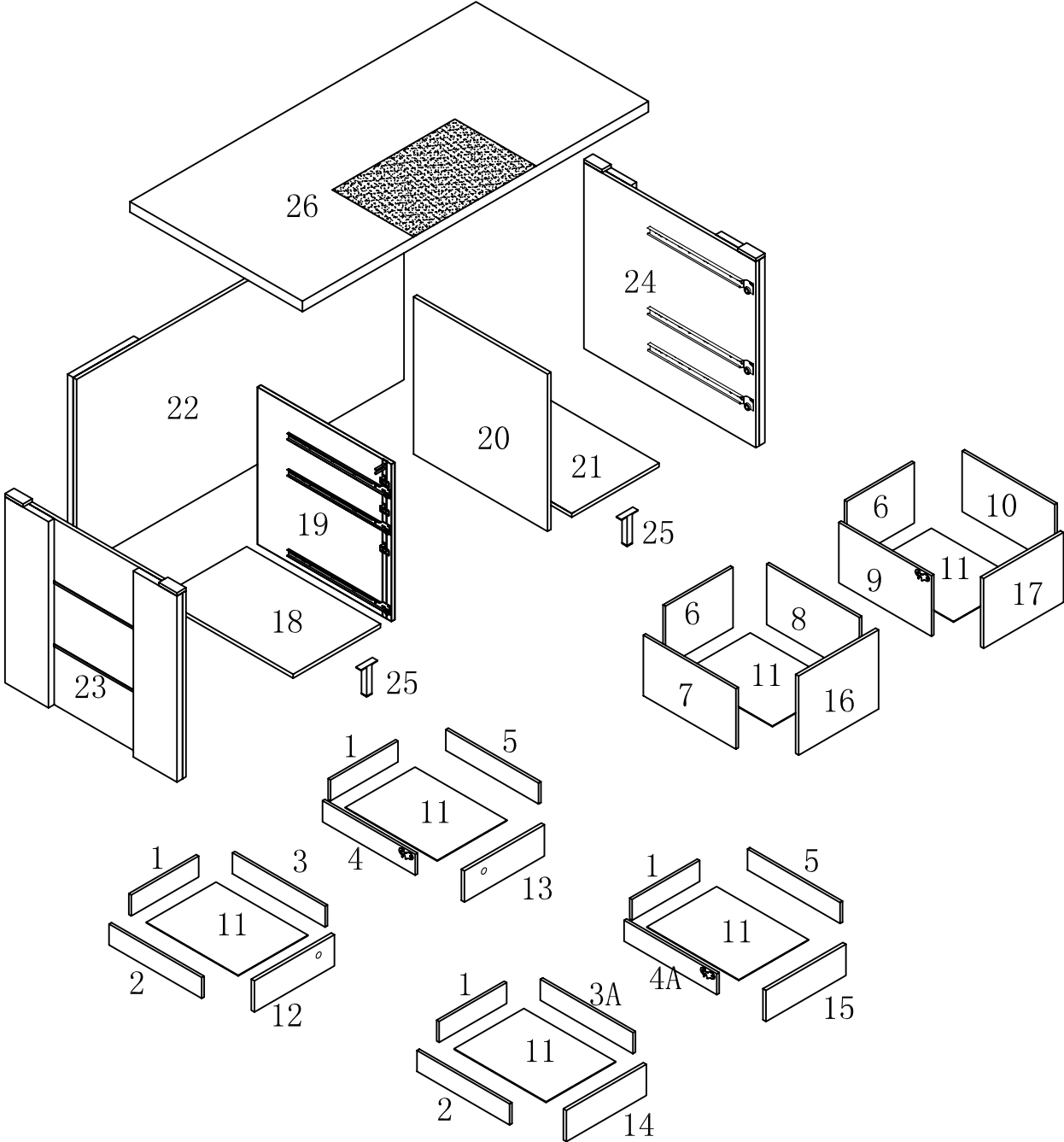
Tip #3: Read manual before assembling, it helps!

ITEM# 10326 171924



PARTS IDENTIFICATION


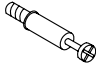


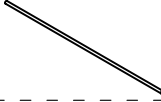
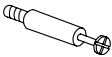


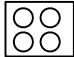

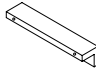

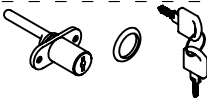


ITEM#: 10326



(1)	4pcs	(6)	2pcs	(13)	1pc	(20)	1pc	(24)	1pc
(2)	2pcs	(7)	1pc	(14)	1pc	(21)	1pc	(25)	2pcs
(3)	1pc	(8)	1pc	(15)	1pc	(22)	1pc	(26)	1pc
(3A)	1pc	(9)	1pc	(16)	1pc	(23)	1pc		
(4)	1pc	(10)	1pc	(17)	1pc				
(4A)	1pc	(11)	6pcs	(18)	1pc				
(5)	2pcs	(12)	1pc	(19)	1pc				

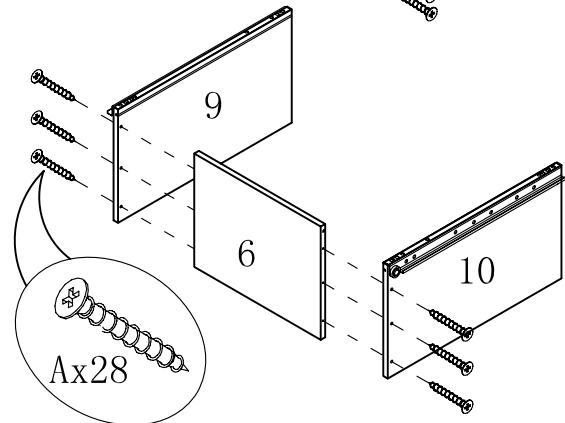
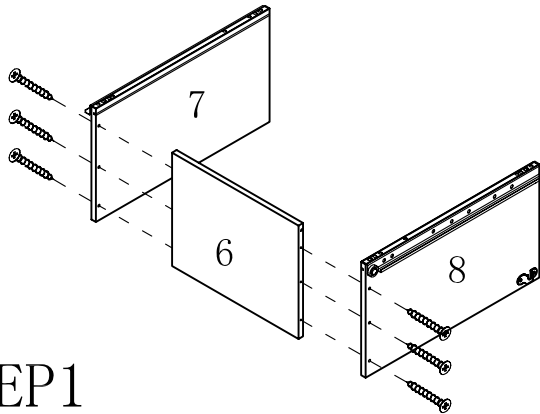
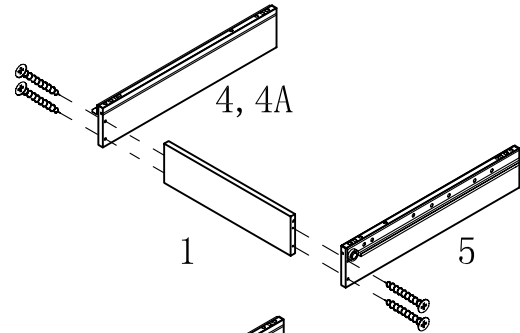
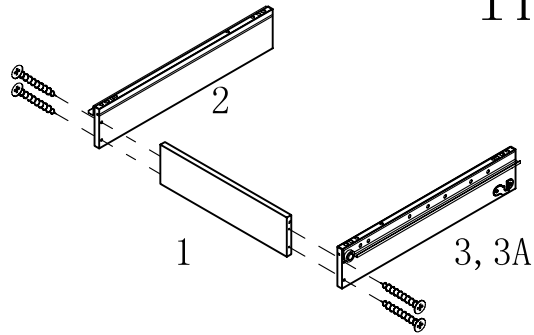
HARDWARE IDENTIFICATION

ITEM#: 10326

A		$\phi 4 \times 30$	28pcs
B		L20	24pcs
C		$\phi 12$	24pcs
D		$\phi 6 \times 30$	4pcs
E		$\phi 5 \times 344$	4pcs
F		L29	26pcs
G		$\phi 15$	26pcs
H		$\phi 8 \times 25$	21pcs
I		$\phi 18$	4pcs
J		$\phi 4 \times 16$	4pcs
K		L64	6pcs
L		$\phi 4 \times 22$	12pcs
M		$\phi 17$	2sets
N		$\phi 3.5 \times 12$	4pcs
O		Glue: For securing please apply to wood dowel first before inserting into panel	1pc

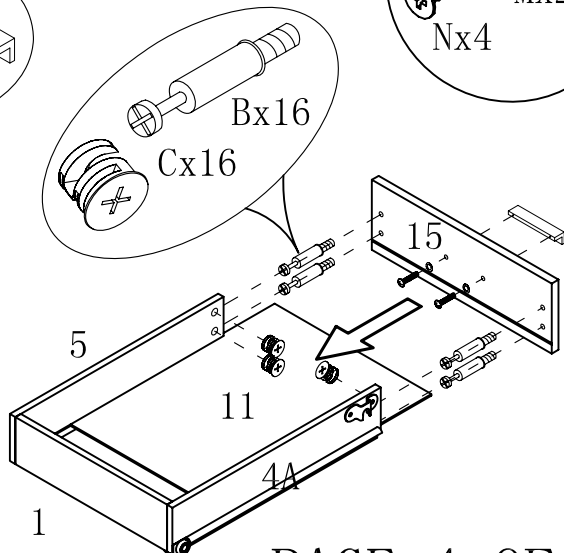
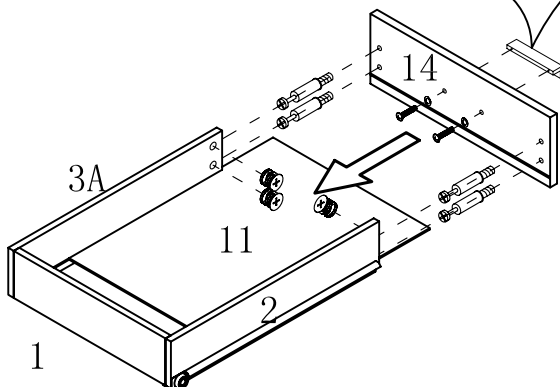
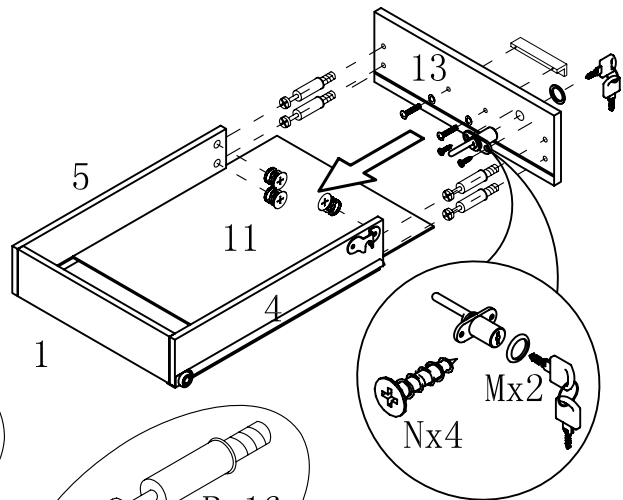
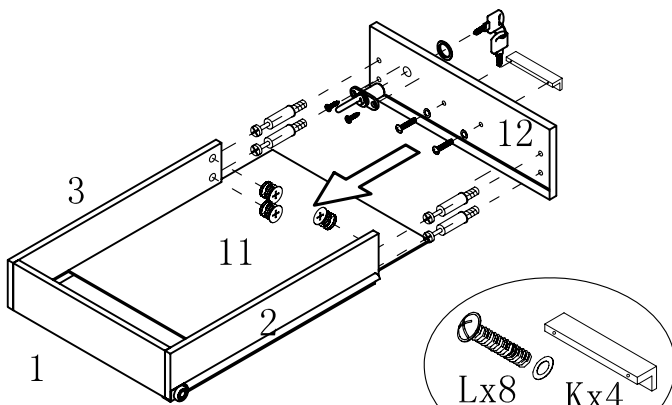
ASSEMBLY INSTRUCTION

ITEM#: 10326



STEP 1

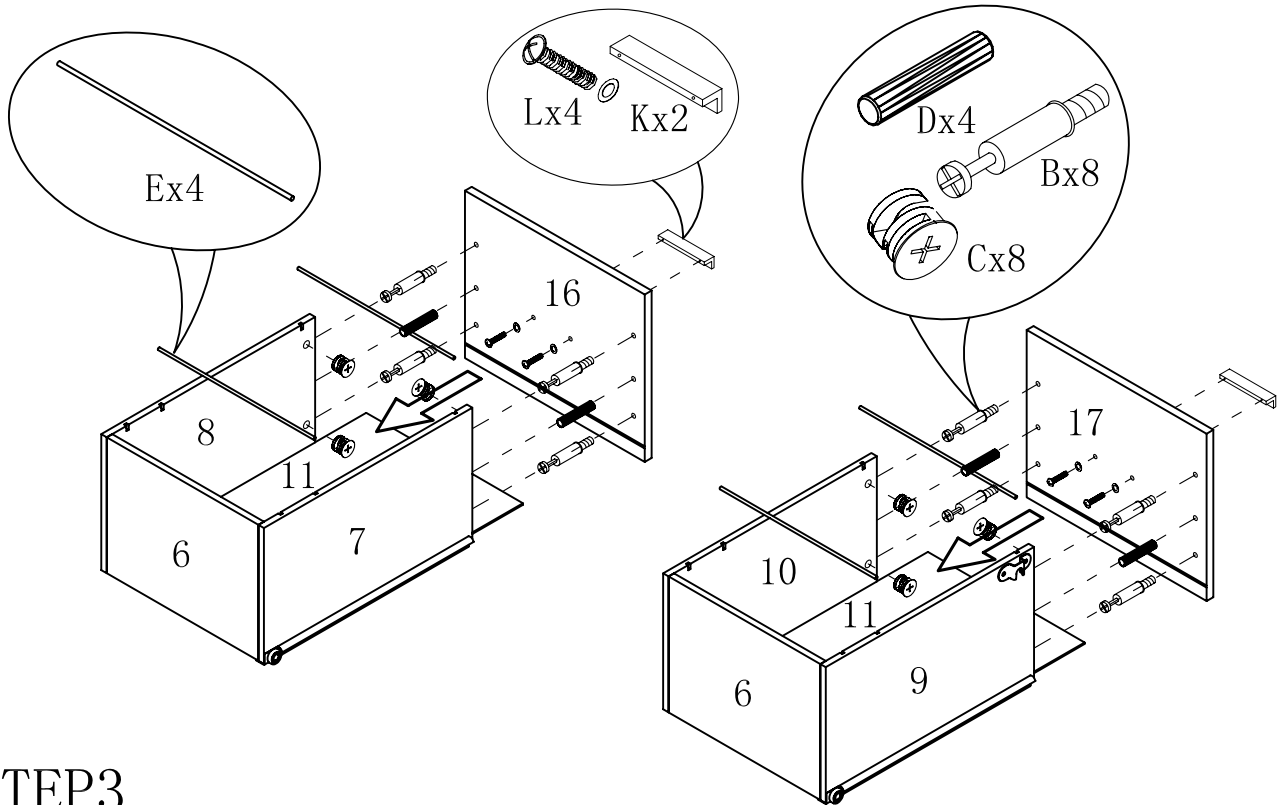
STEP 2



PAGE: 4 OF 7

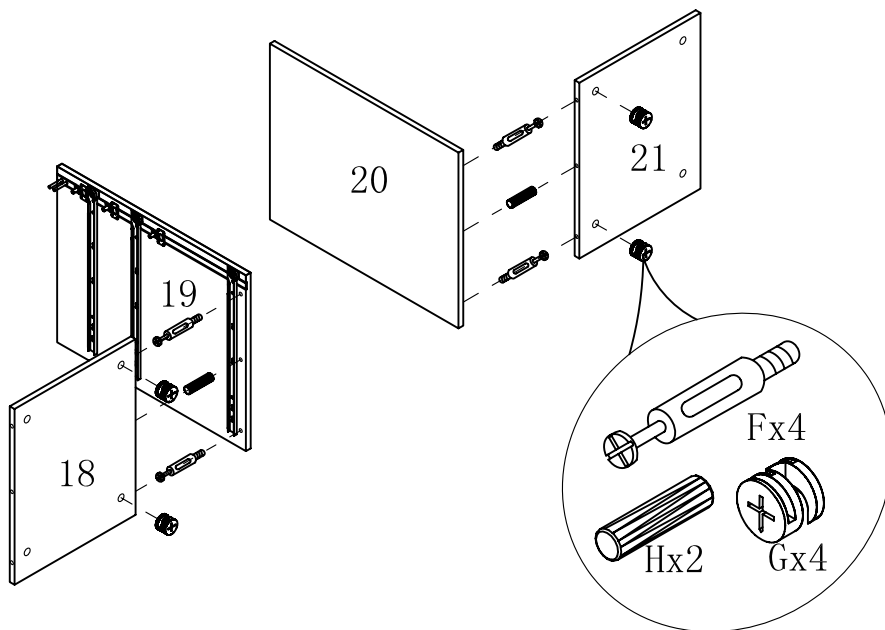
ASSEMBLY INSTRUCTION

ITEM#: 10326



STEP 3

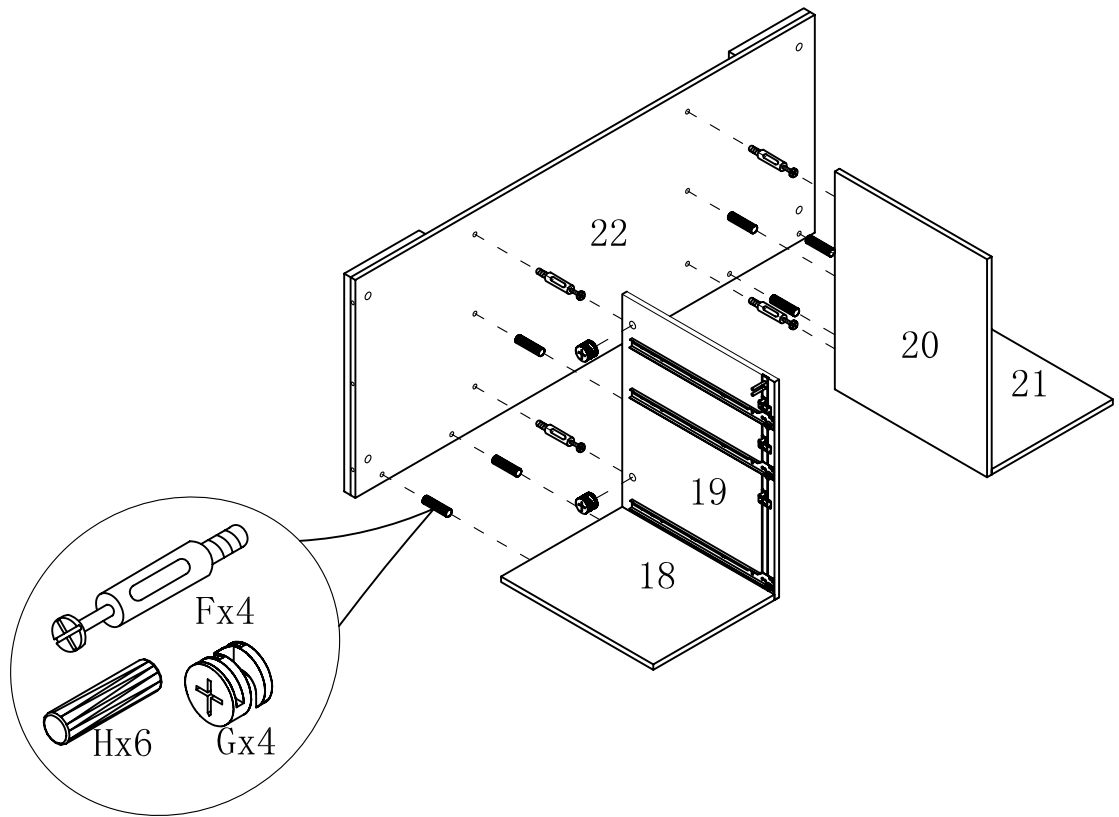
STEP 4



PAGE: 5 OF 7

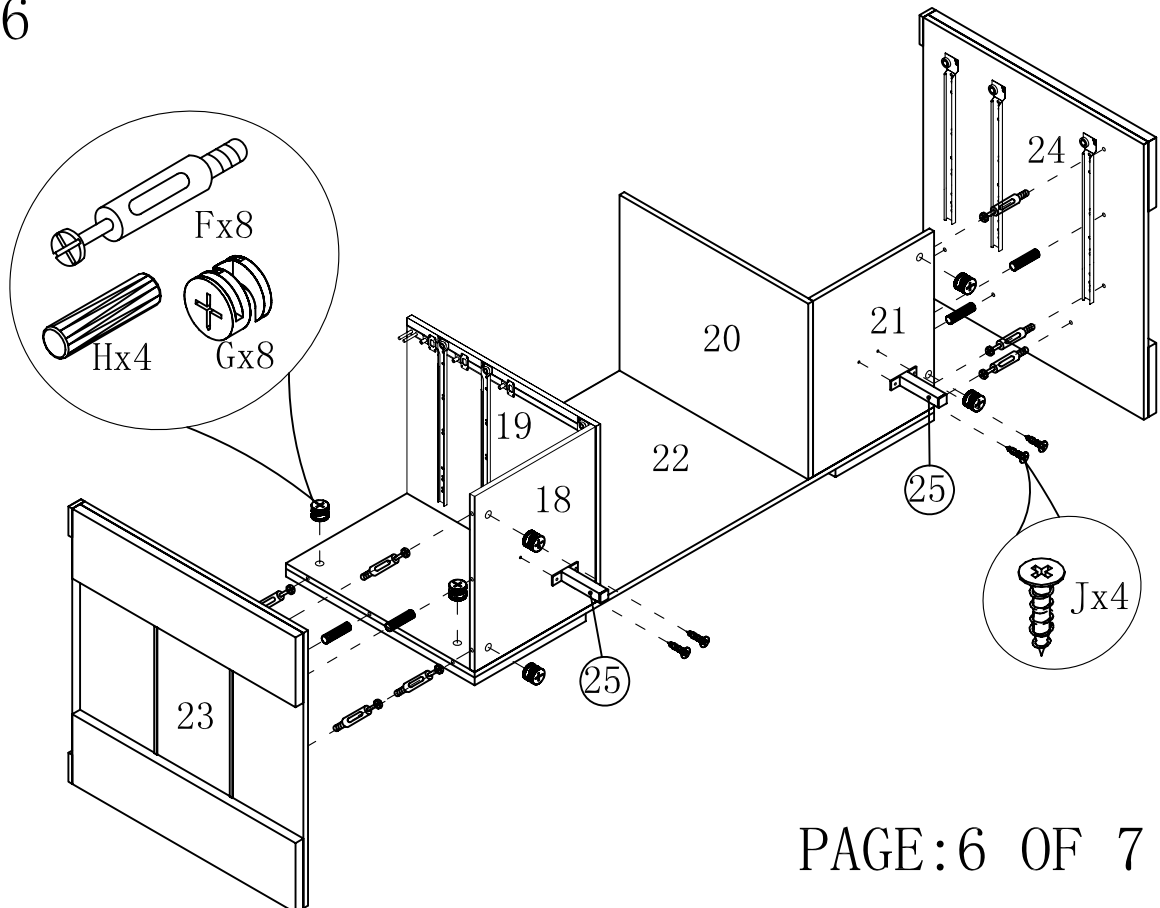
ASSEMBLY INSTRUCTION

ITEM#: 10326



STEP5

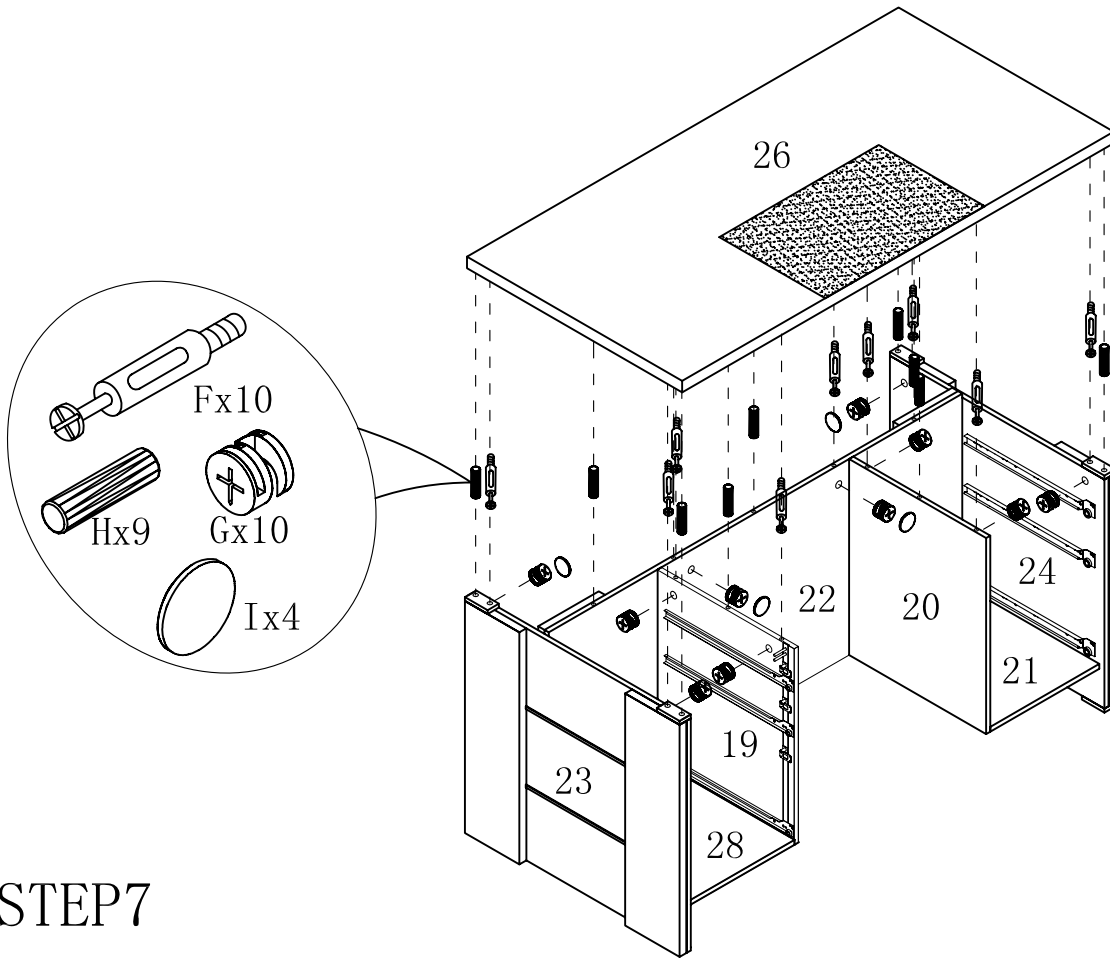
STEP6



PAGE:6 OF 7

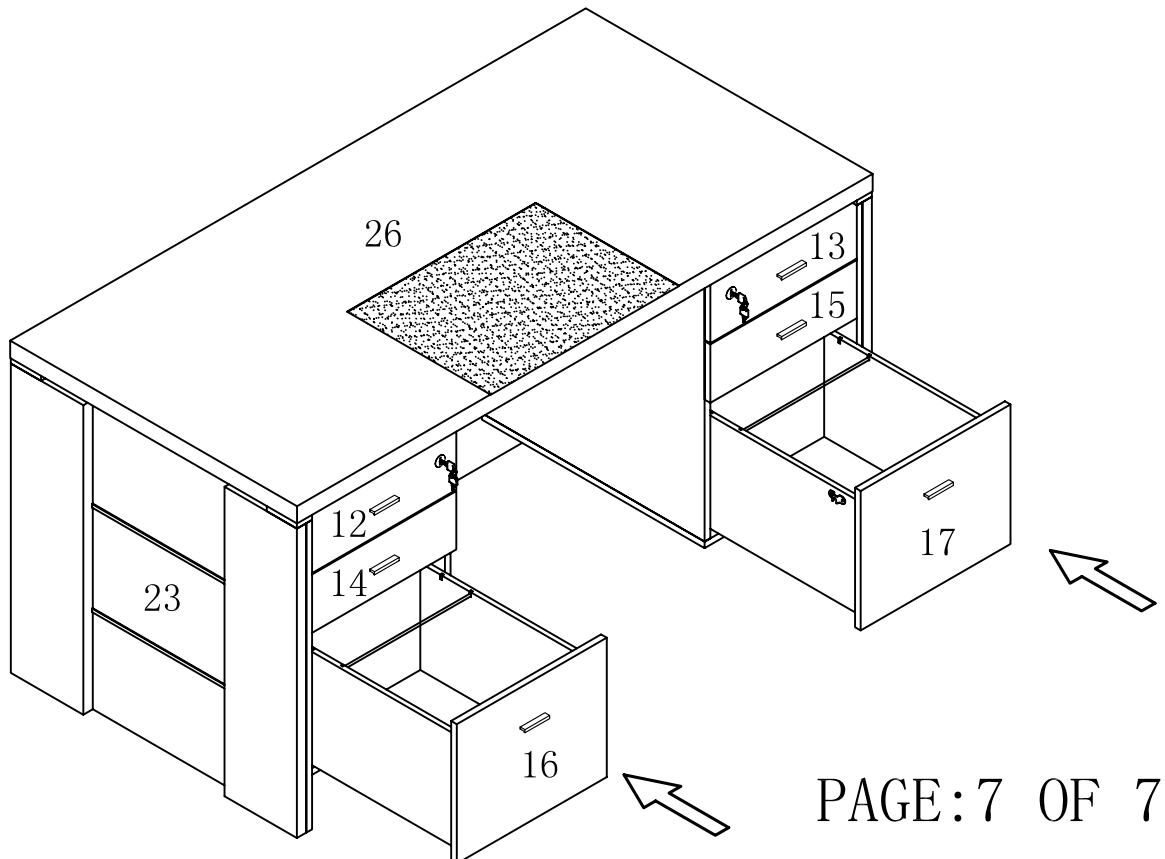
ASSEMBLY INSTRUCTION

ITEM#: 10326



STEP 7

STEP 8



PAGE: 7 OF 7