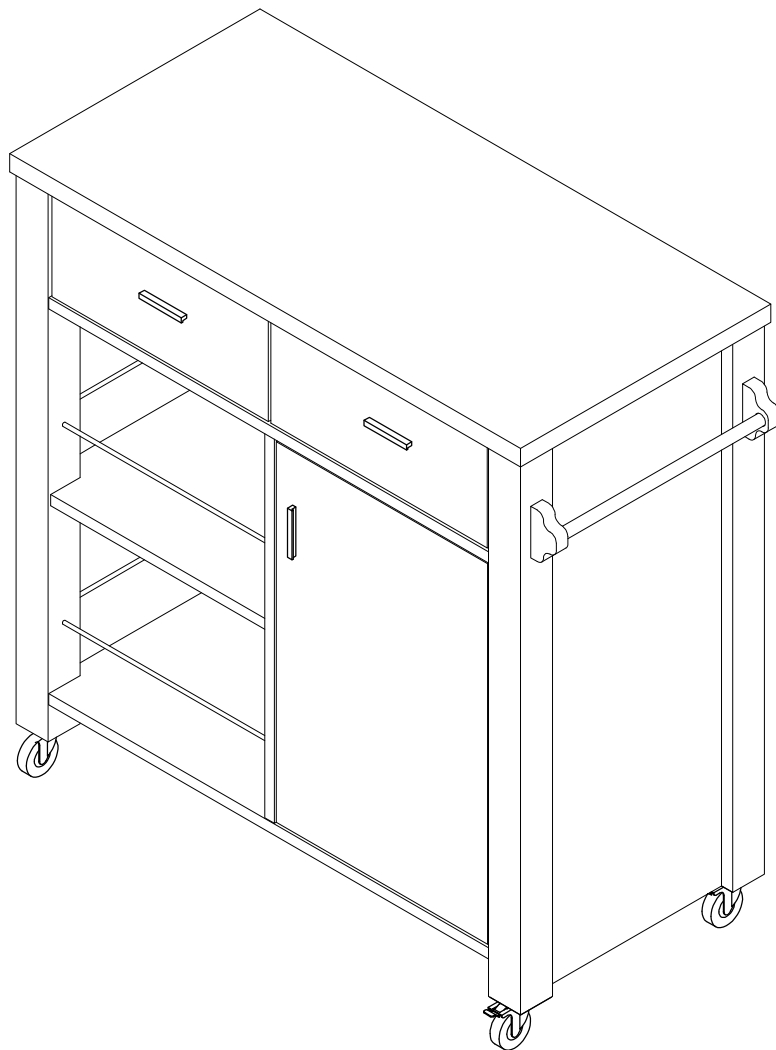


ASSEMBLY INSTRUCTION

ITEM#	11426	14945	14946	161567
	161568	192490	192491	



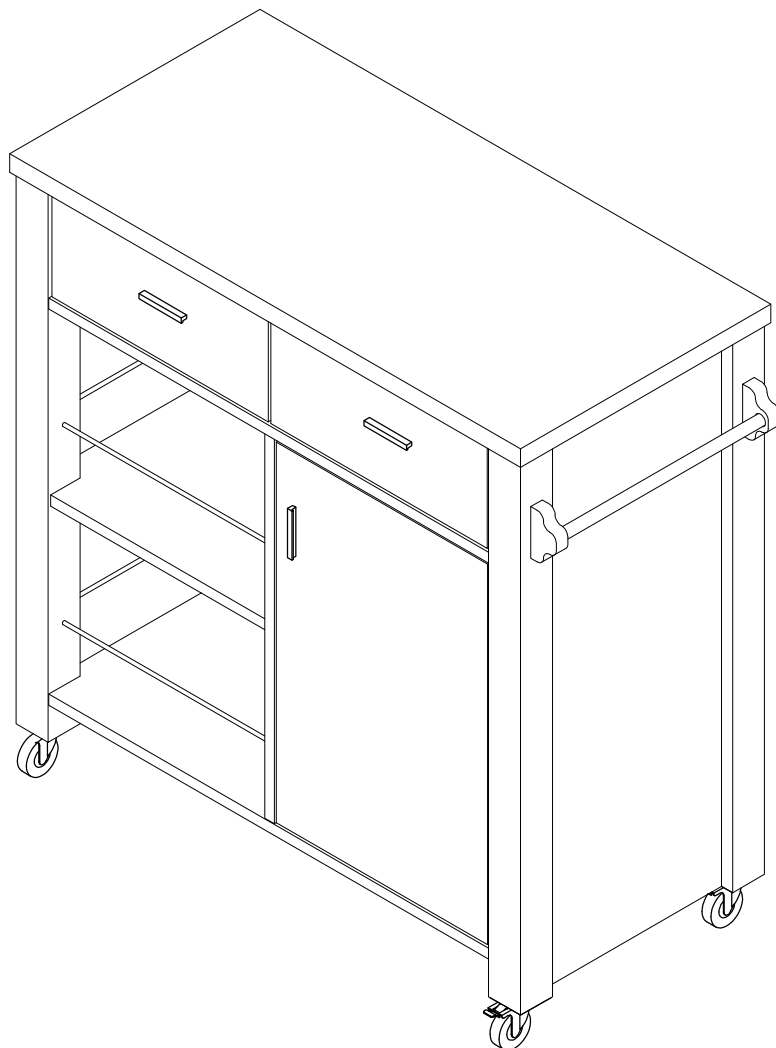
ASSEMBLY INSTRUCTION

PLEASE READ BEFORE ASSEMBLING!

Tip #1: Make sure you've taken all the pieces and hardware out of its packaging before discarding the box.

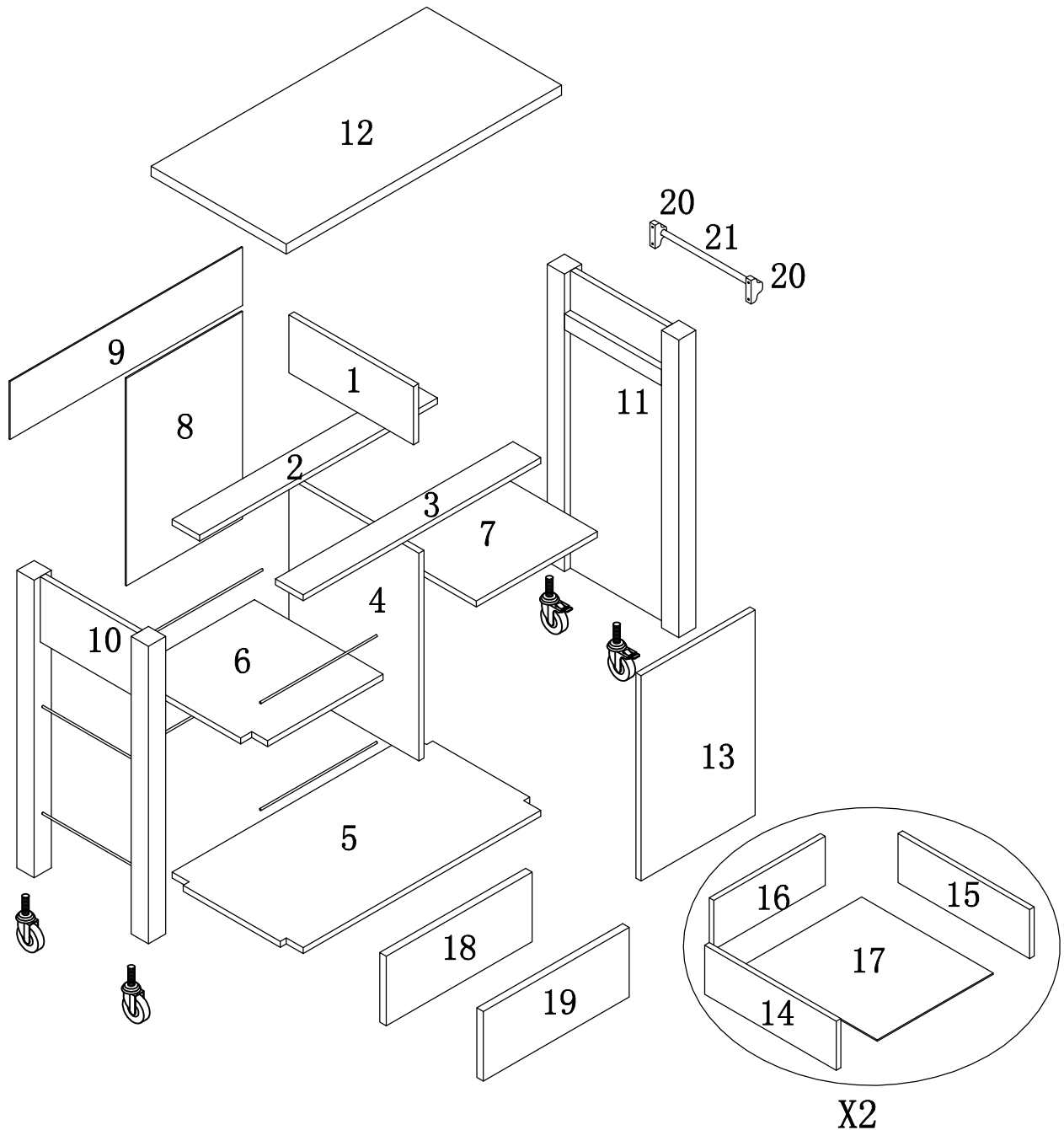
Tip #2: Using page 2 and/or page 3 of instruction manual make sure all pieces and hardware are accounted for.

ITEM#: 11426 161567 161568



PARTS IDENTIFICATION




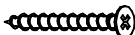



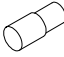

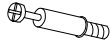

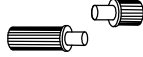
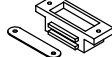
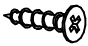
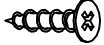
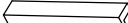

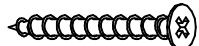



ITEM#: 11426 161567 161568



(1)	1pc	(8)	1pc	(15)	2pcs
(2)	1pc	(9)	1pc	(16)	2pcs
(3)	1pc	(10)	1pc	(17)	2pcs
(4)	1pc	(11)	1pc	(18)	1pc
(5)	1pc	(12)	1pc	(19)	1pc
(6)	1pc	(13)	1pc	(20)	2pcs
(7)	1pc	(14)	2pcs	(21)	1pc

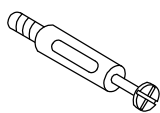
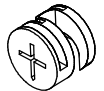
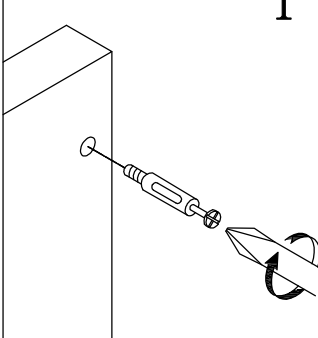
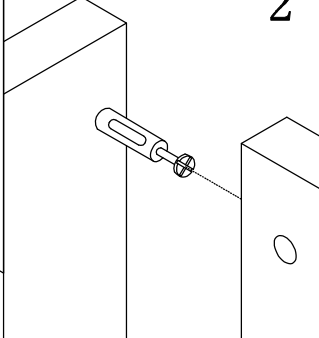
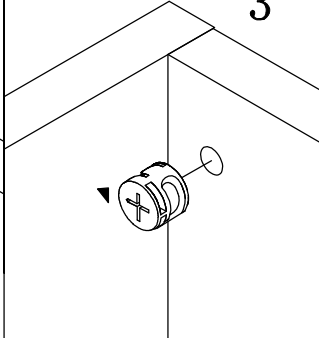
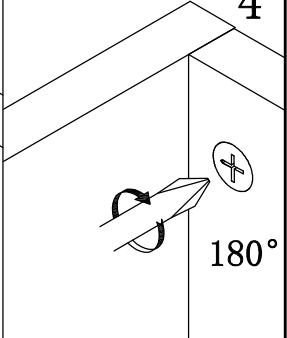
HARDWARE IDENTIFICATION

ITEM#: 11426 161567 161568

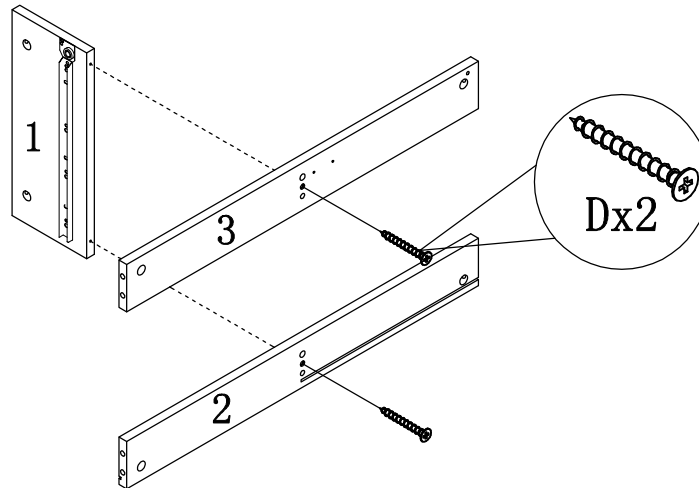
A		φ 15	16pcs
B		L29	16pcs
C		φ 8x25	14pcs
D		φ 4x40	4pcs
E		φ 5x346	4pcs
F		H65	2pcs
G		H65	2pcs
H		φ 5	8pcs
I		ET12	8pcs
J		L20	8pcs
K		φ 4x30	8pcs
L			1set
M			1set
N		φ 3x14	2pcs
O		φ 3x16	2pcs
P		64#	3pcs
Q		M4x22	6pcs
R		φ 4x50	4pcs
S		M14	1pc
T		φ 5x9	4pcs
U		Glue: For securing please apply to wood dowel first before inserting into panel	1pc

ASSEMBLY INSTRUCTION

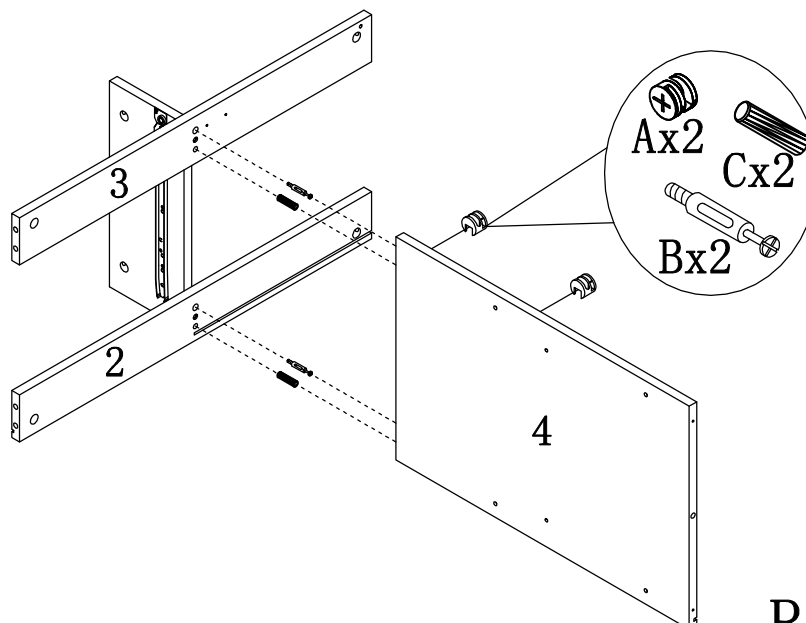
ITEM#: 11426 161567 161568

<p>HOW TO</p>  <p>Cam Bolt</p>  <p>Cam Lock</p>	<p>1</p>  <p>1. Screw Cam Bolt into panel.</p>	<p>2</p>  <p>2. Insert Cam Bolt into bolt hole of joining panel.</p>	<p>3</p>  <p>3. Insert Cam Lock. arrow facing bolt.</p>	<p>4</p>  <p>4. Gently turn Cam Lock clockwise to lock position.</p>
------------------------------------------------------------------------------------------------------------------------------------------------------------------------------------------------------------------	---------------------------------------------------------------------------------------------------------------------------------	-------------------------------------------------------------------------------------------------------------------------------------------------------	-------------------------------------------------------------------------------------------------------------------------------------------	---------------------------------------------------------------------------------------------------------------------------------------------------------

STEP1

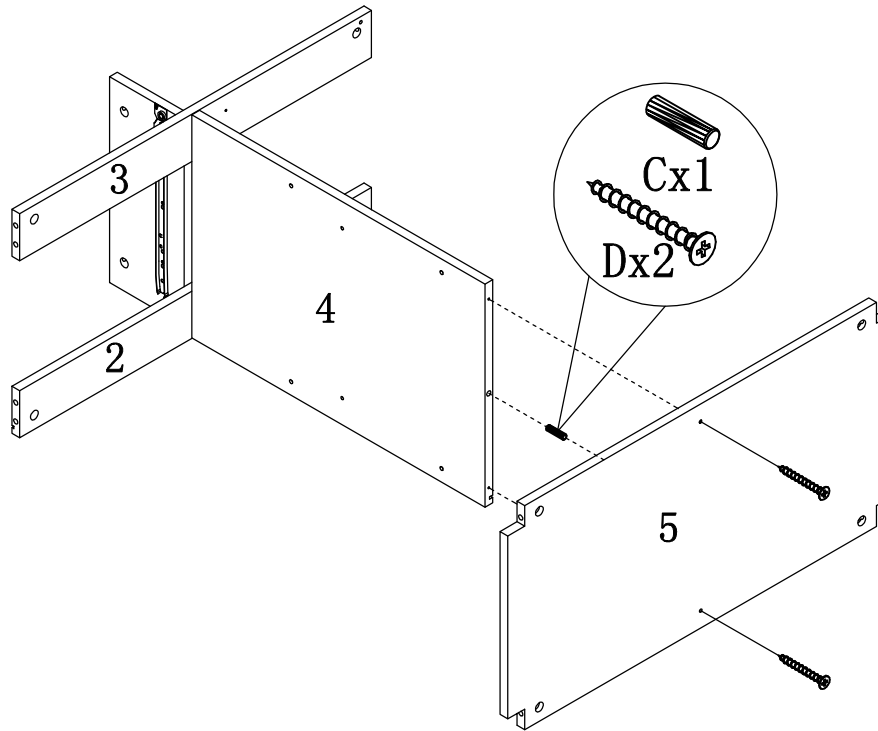


STEP2



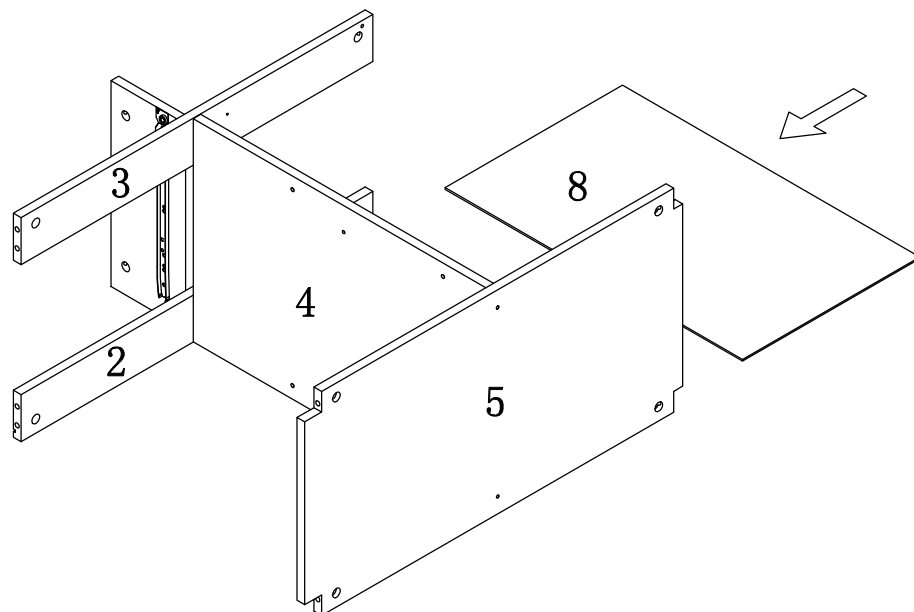
ASSEMBLY INSTRUCTION

ITEM#:11426 161567 161568



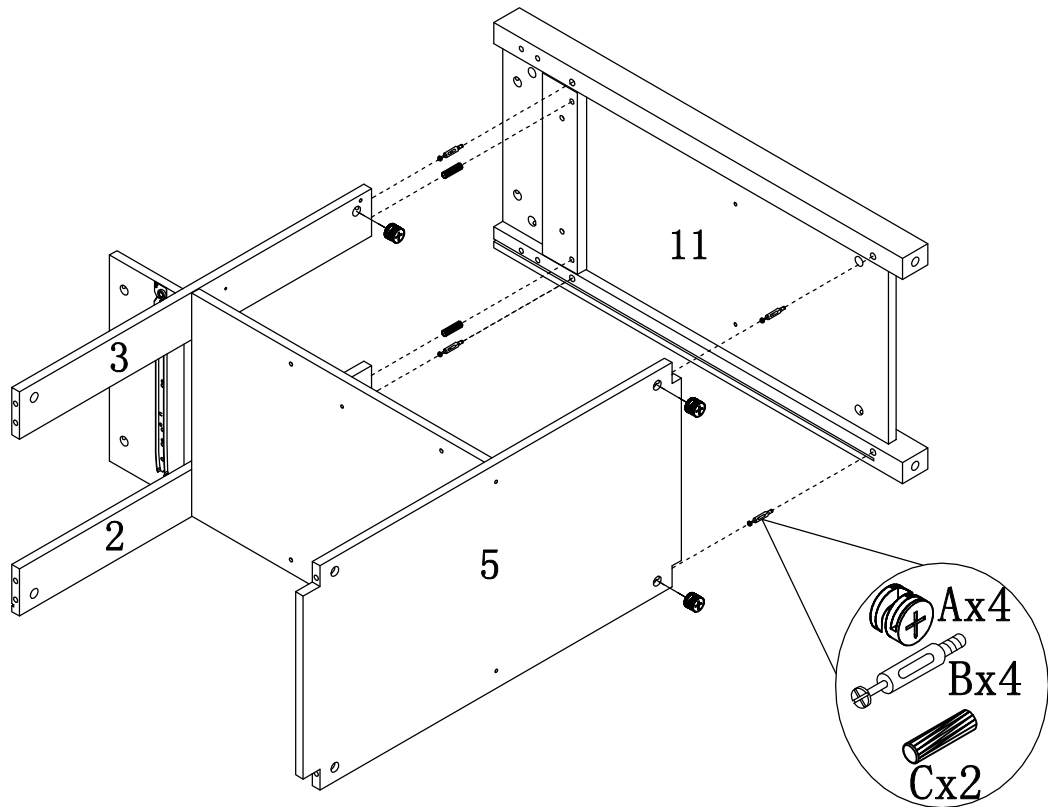
STEP3

STEP4



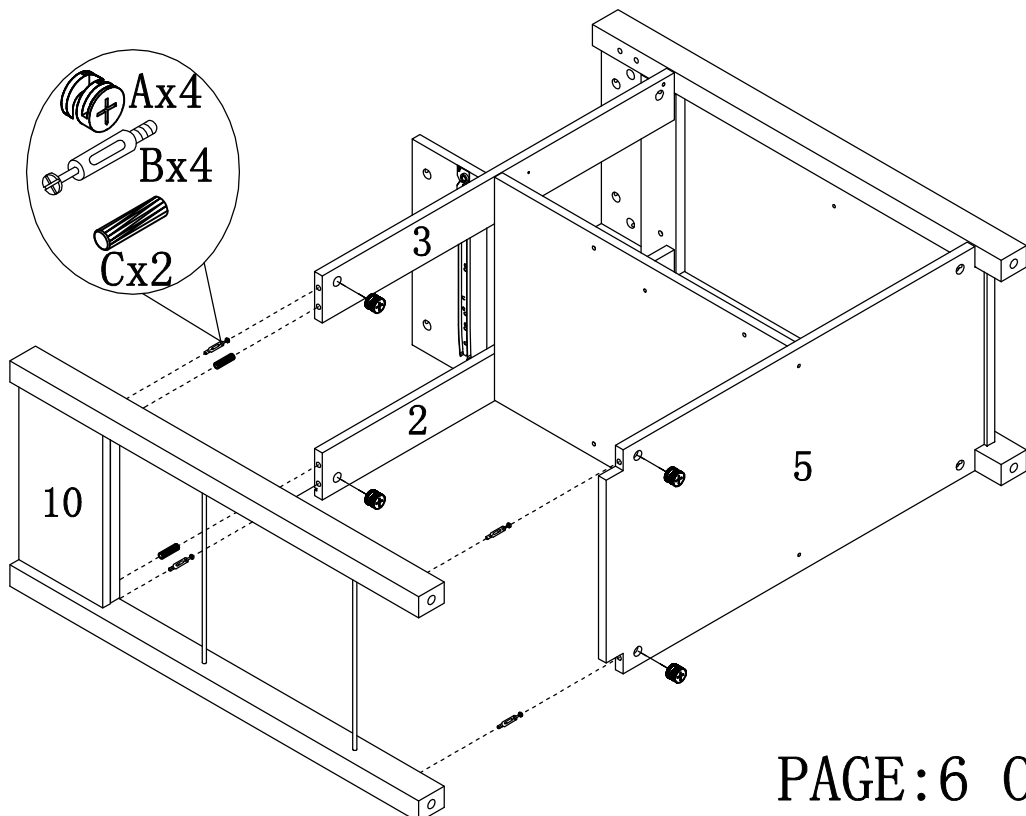
ASSEMBLY INSTRUCTION

ITEM#:11426 161567 161568



STEP5

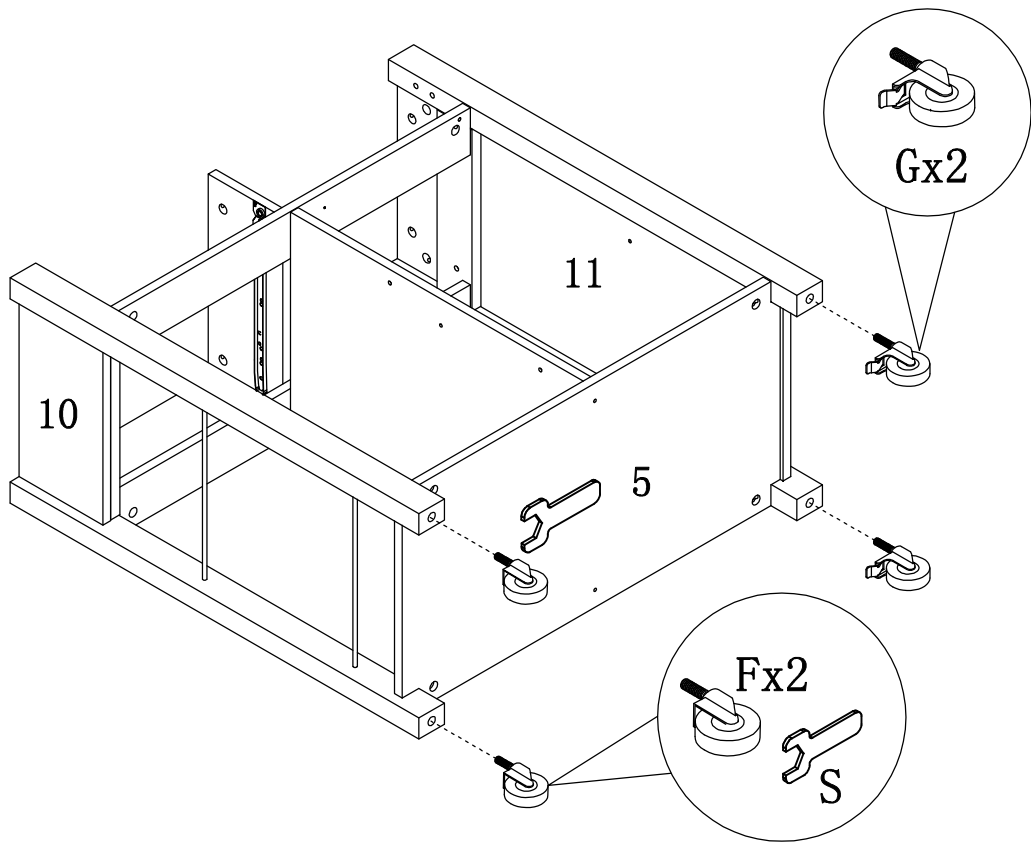
STEP6



PAGE:6 OF 12

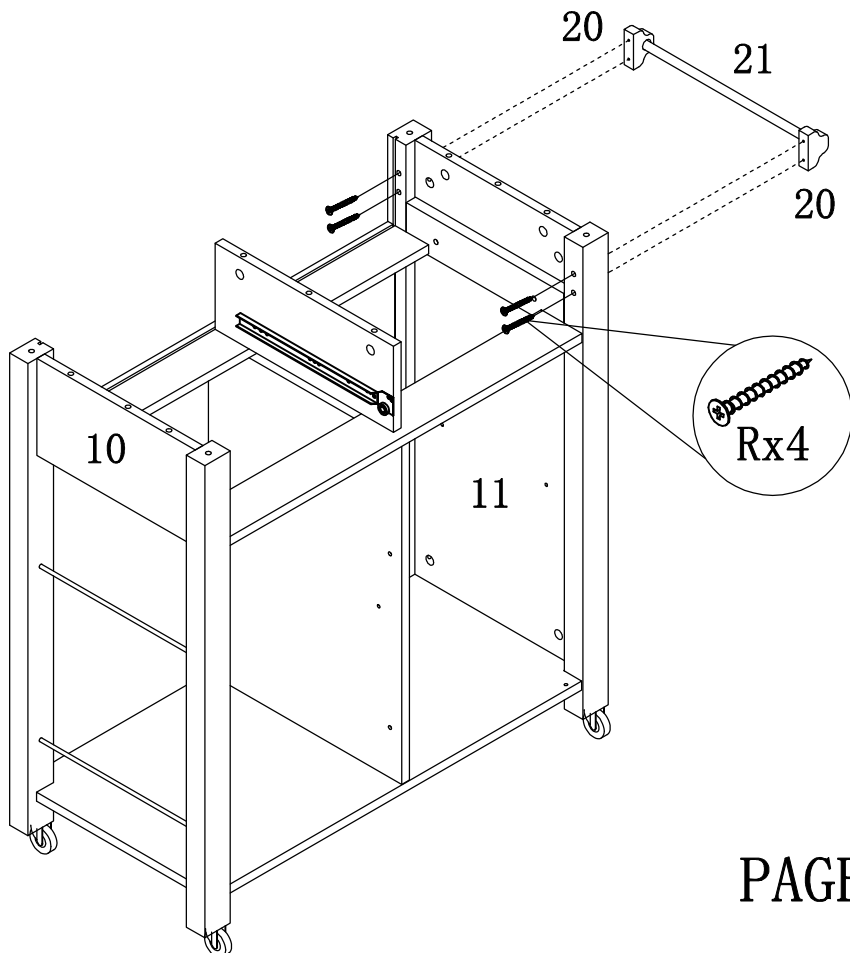
ASSEMBLY INSTRUCTION

ITEM#:11426 161567 161568



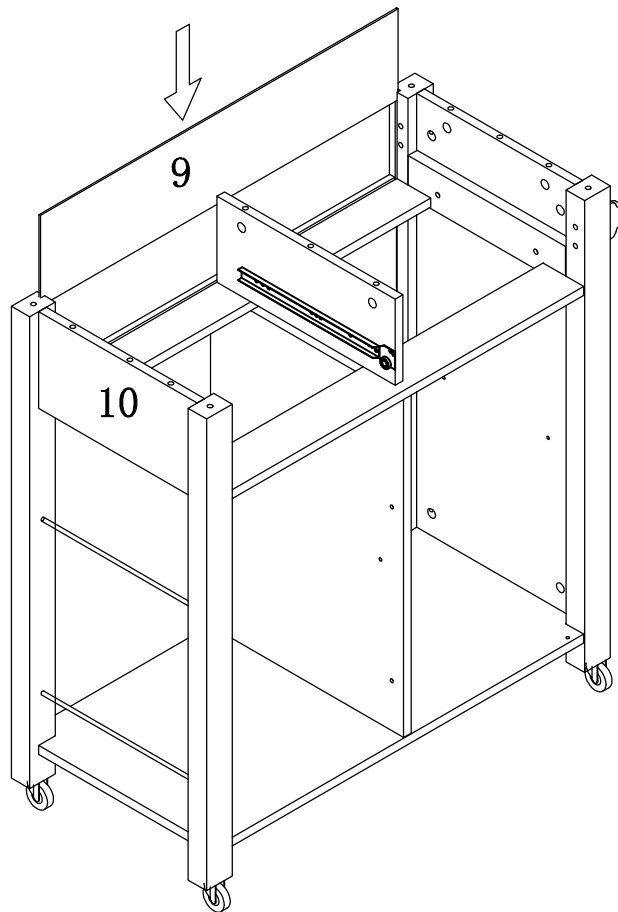
STEP7

STEP8



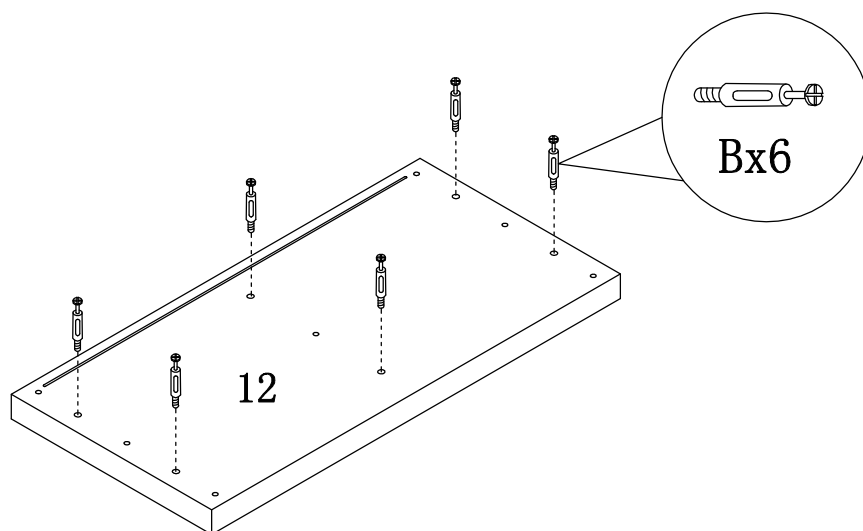
ASSEMBLY INSTRUCTION

ITEM#:11426 161567 161568



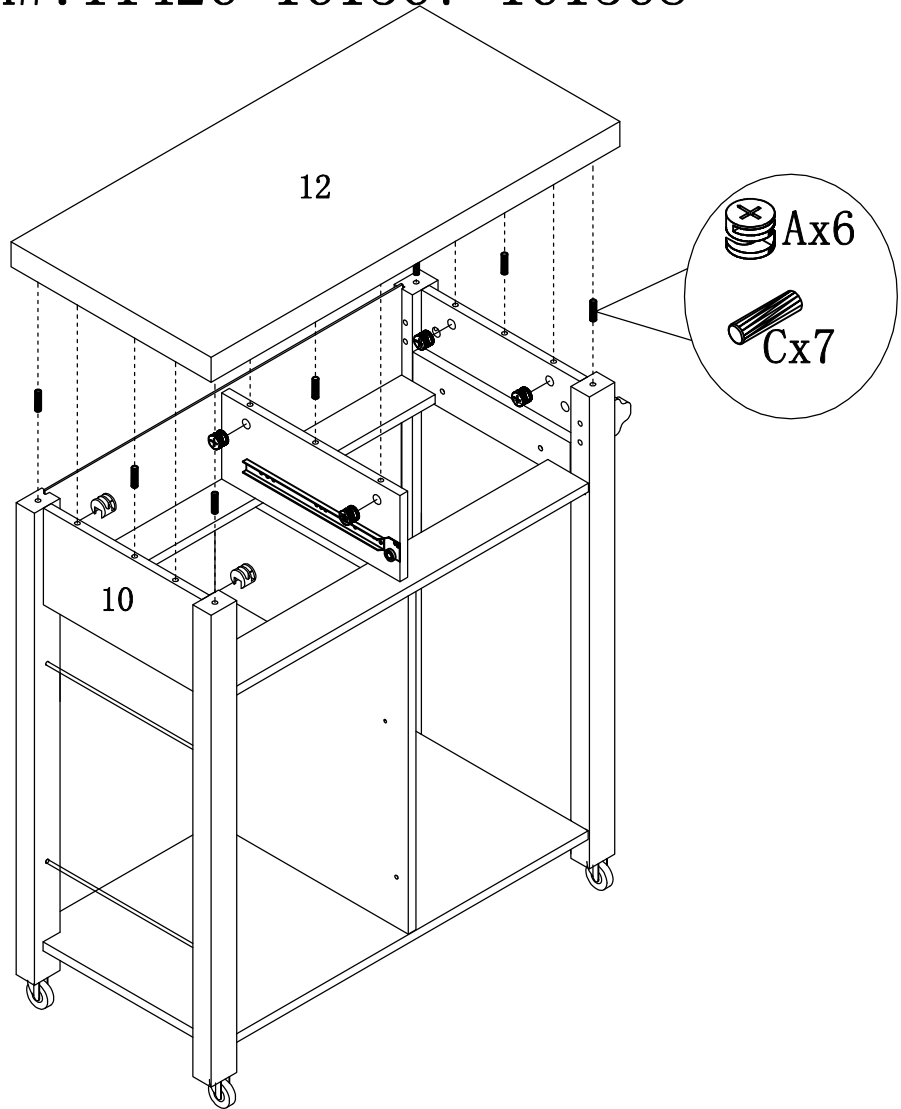
STEP9

STEP10



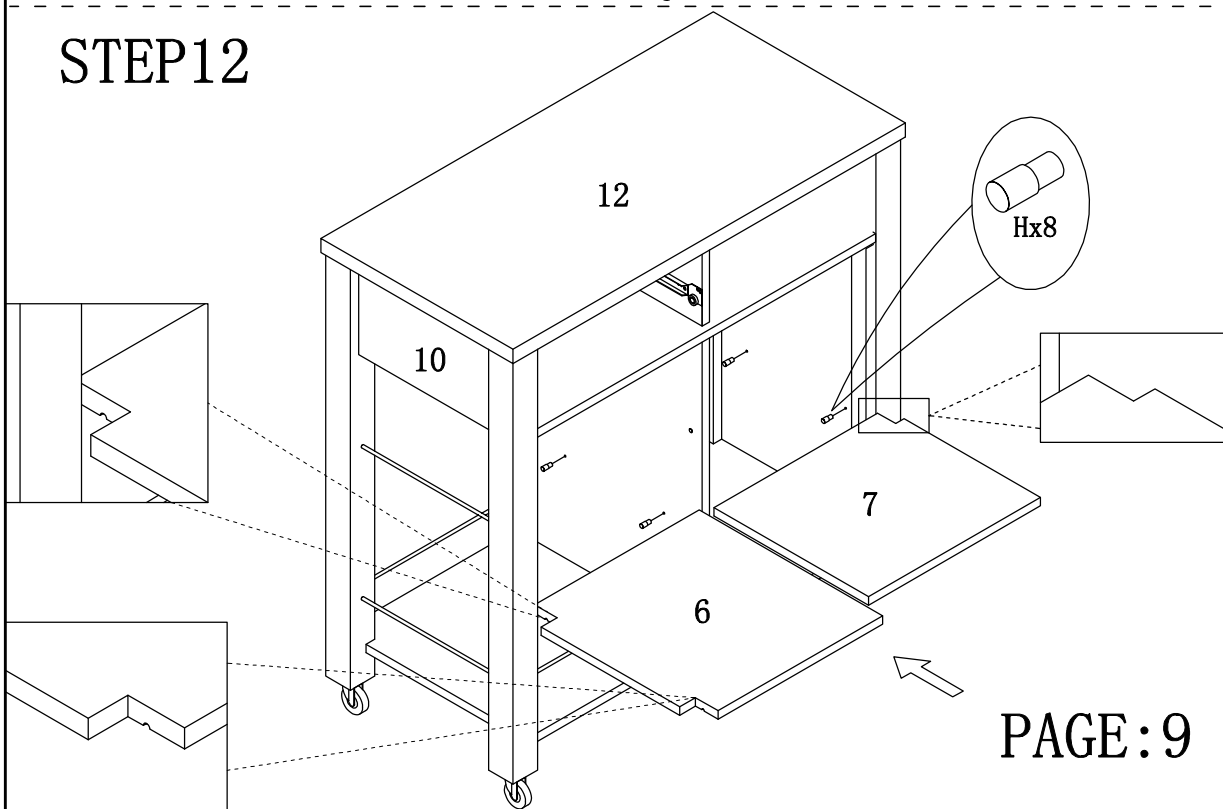
ASSEMBLY INSTRUCTION

ITEM#: 11426 161567 161568



STEP11

STEP12

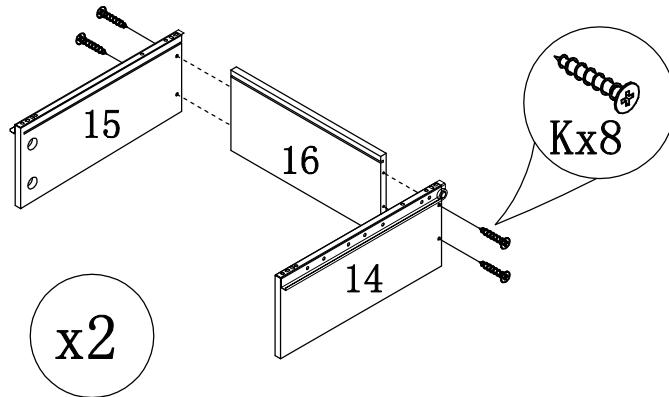


PAGE: 9 OF 12

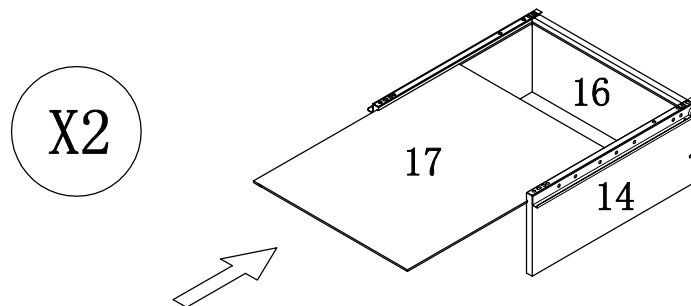
ASSEMBLY INSTRUCTION

ITEM#:11426 161567 161568

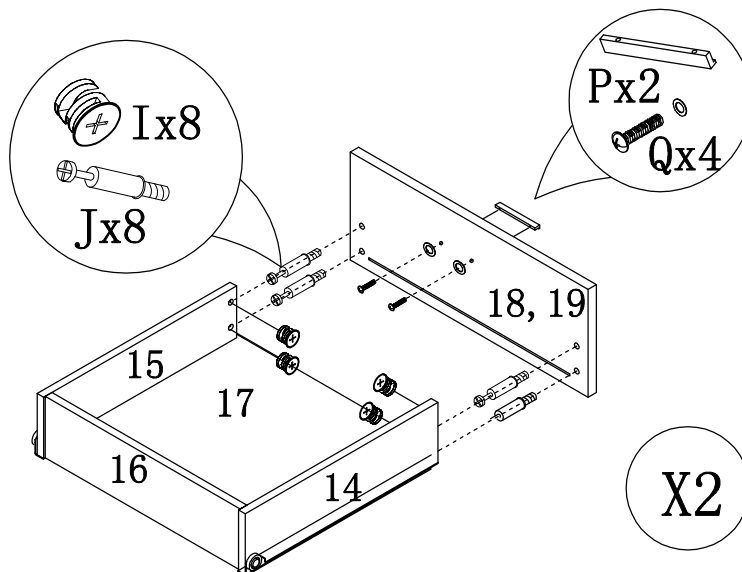
STEP13



STEP14

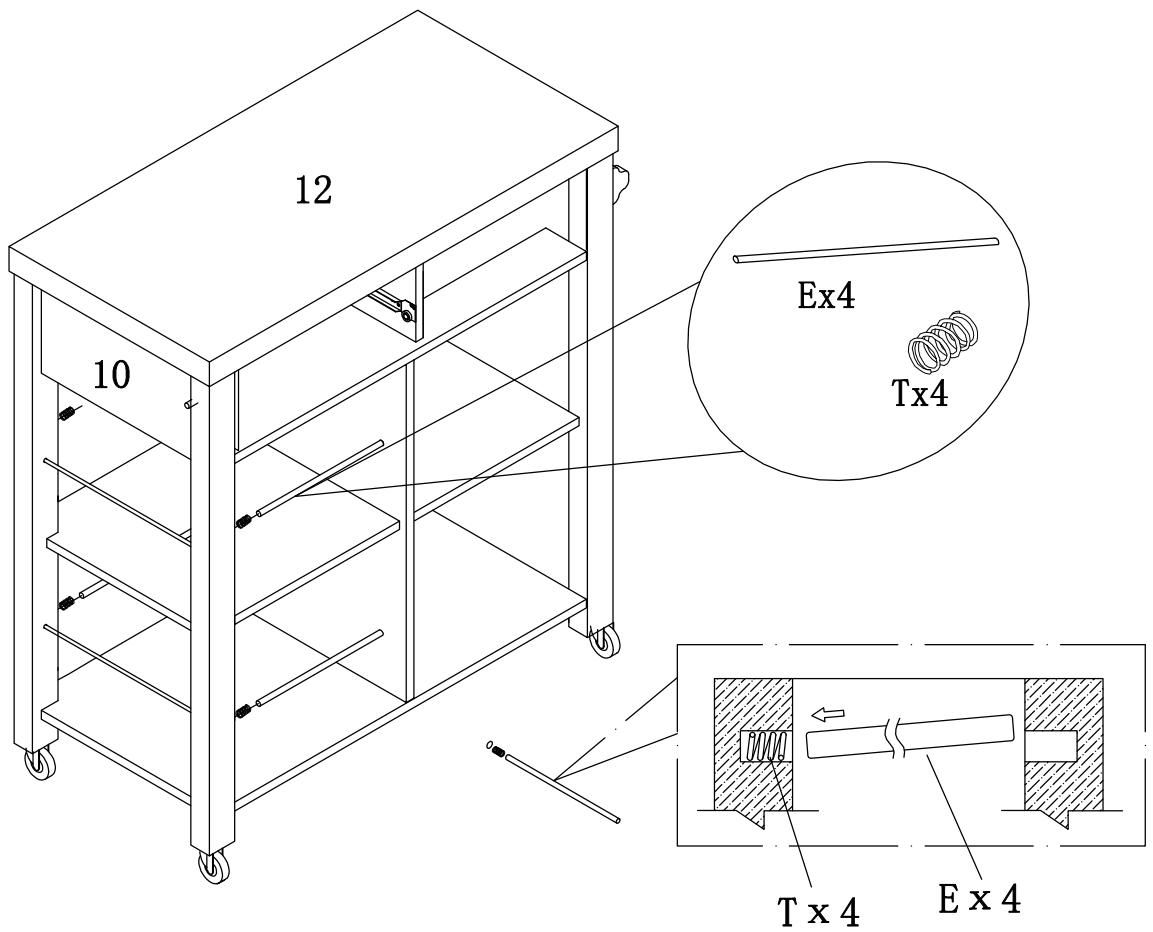


STEP15



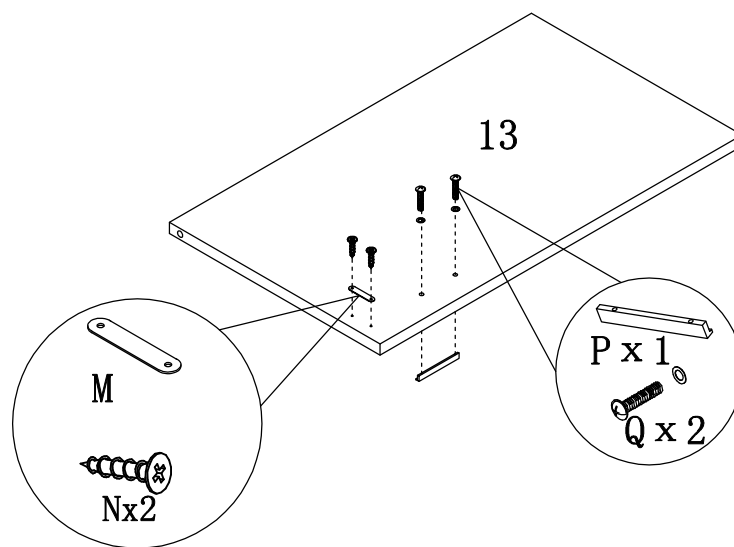
ASSEMBLY INSTRUCTION

ITEM#: 11426 161567 161568



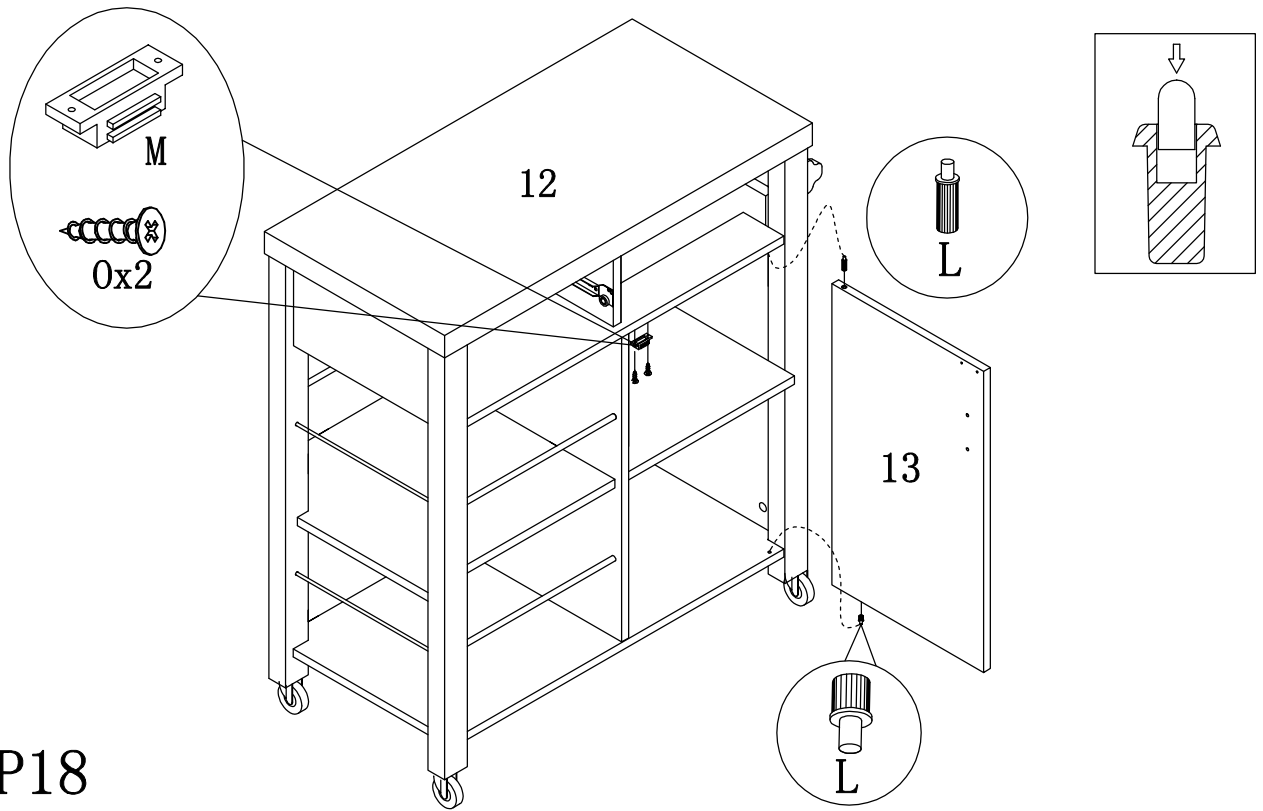
STEP16

STEP17



ASSEMBLY INSTRUCTION

ITEM#: 11426 161567 161568



STEP18

STEP19

