

ASSEMBLY INSTRUCTION

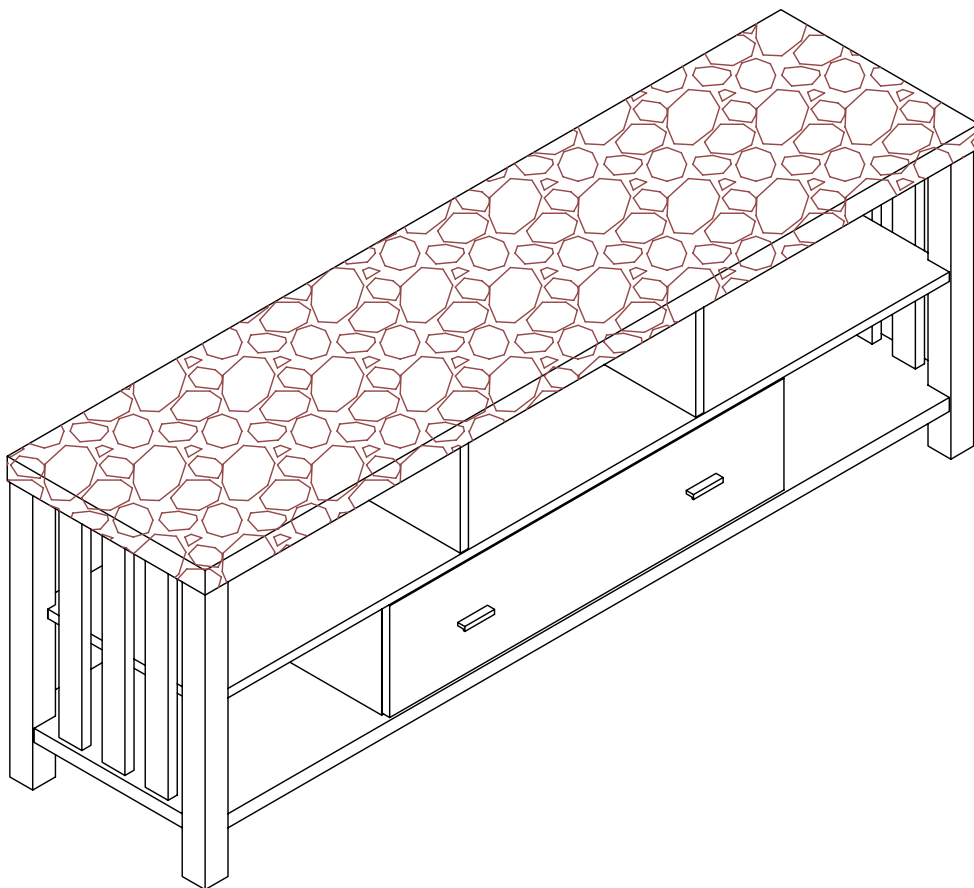
PLEASE READ BEFORE ASSEMBLING!

Tip #1: Make sure you've taken all the pieces and hardware out of its packaging before discarding the box.

Tip #2: Using page 2 and/or page 3 of instruction manual make sure all pieces and hardware are accounted for.

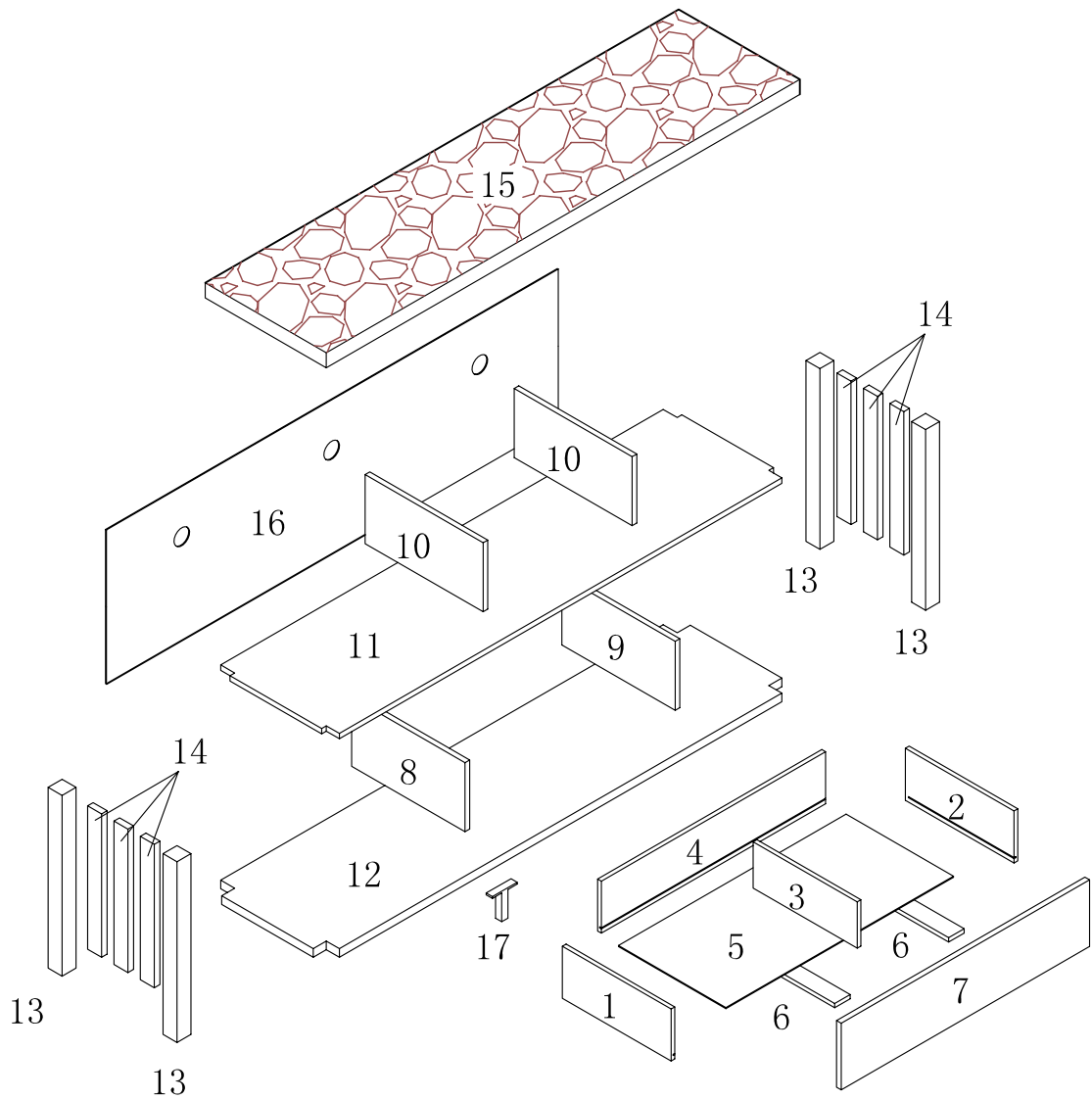
Tip #3: Read manual before assembling, it helps!

ITEM#: 12544



PARTS IDENTIFICATION

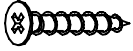

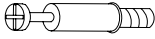





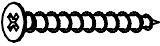
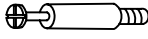

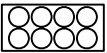


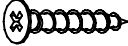

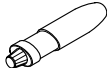
ITEM#: 12544



(1)	1pc	(8)	1pc	(15)	1pc
(2)	1pc	(9)	1pc	(16)	1pc
(3)	1pc	(10)	2pcs	(17)	1pc
(4)	1pc	(11)	1pc		
(5)	1pc	(12)	1pc		
(6)	2pcs	(13)	4pcs		
(7)	1pc	(14)	6pcs		

HARDWARE IDENTIFICATION

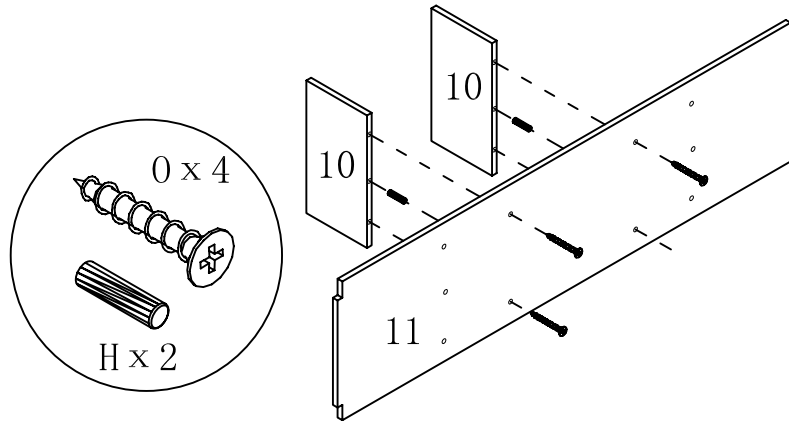
ITEM#: 12544

A		$\phi 4 \times 30$	6pcs
B		Z1016	40pcs
C		L20	6pcs
D		$\phi 10$	6pcs
E		$\phi 6 \times 30$	4pcs
F		64MM	2pcs
G		M4 x 22	4pcs
H		$\phi 8 \times 25$	36pcs
I		$\phi 4 \times 45$	4pcs
J		L29	20pcs
K		$\phi 15$	20pcs
L		$\phi 18$	8pcs
M		$\phi 16$	4pcs
N		$\phi 4 \times 25$	4pcs
O		$\phi 4 \times 35$	4pcs
P		$\phi 4 \times 16$	2pcs
Q		Glue: For securing please apply to wood dowel first before inserting into panel	1pc

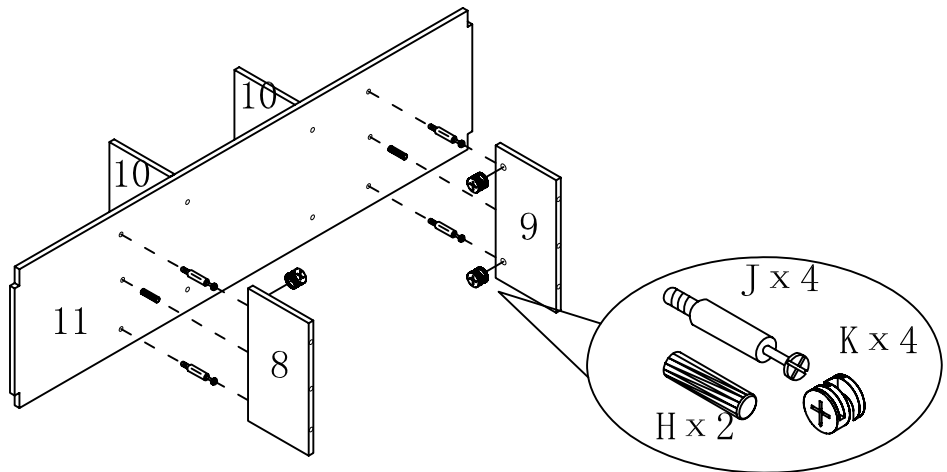
ASSEMBLY INSTRUCTION

ITEM#: 12544

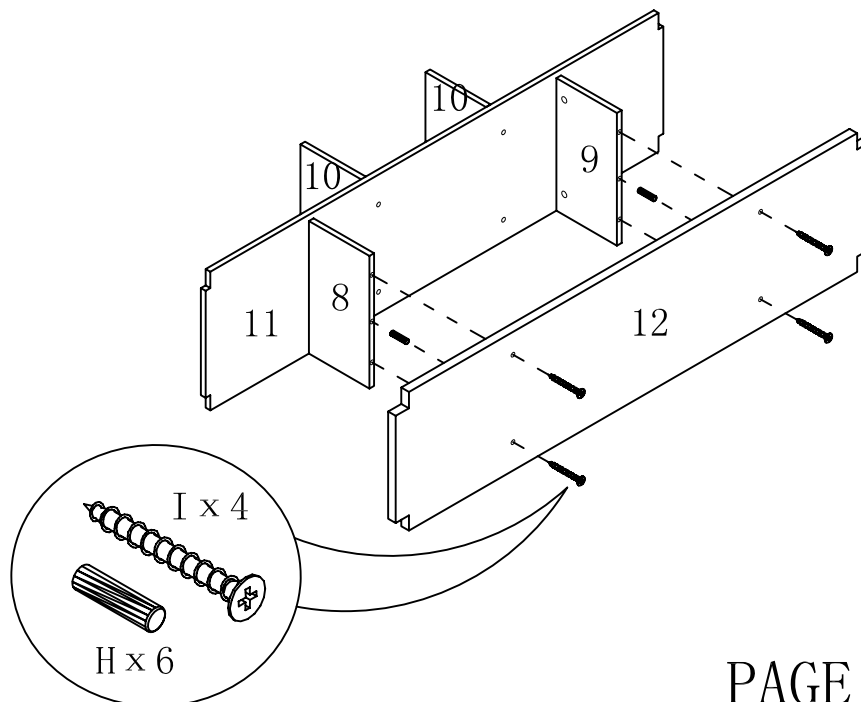
STEP4



STEP5

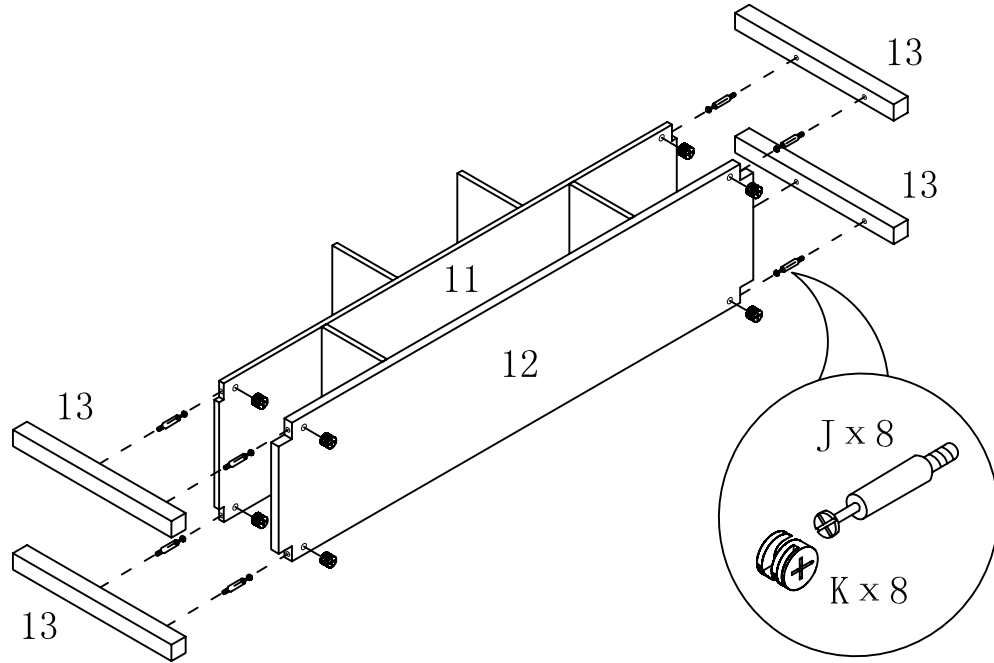


STEP6



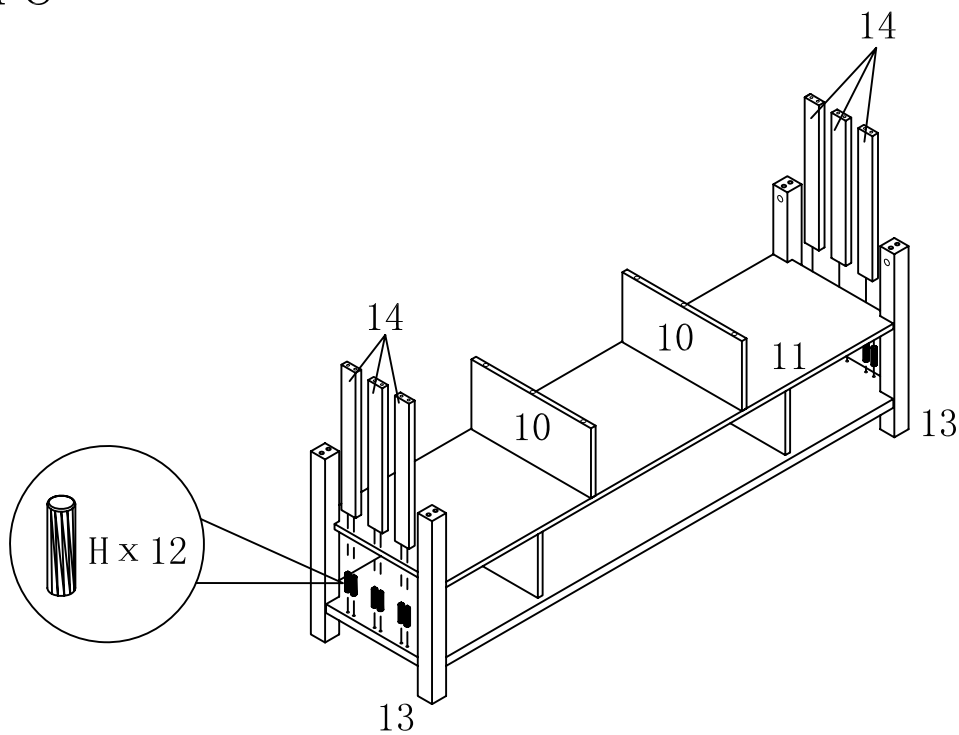
ASSEMBLY INSTRUCTION

ITEM#: 12544



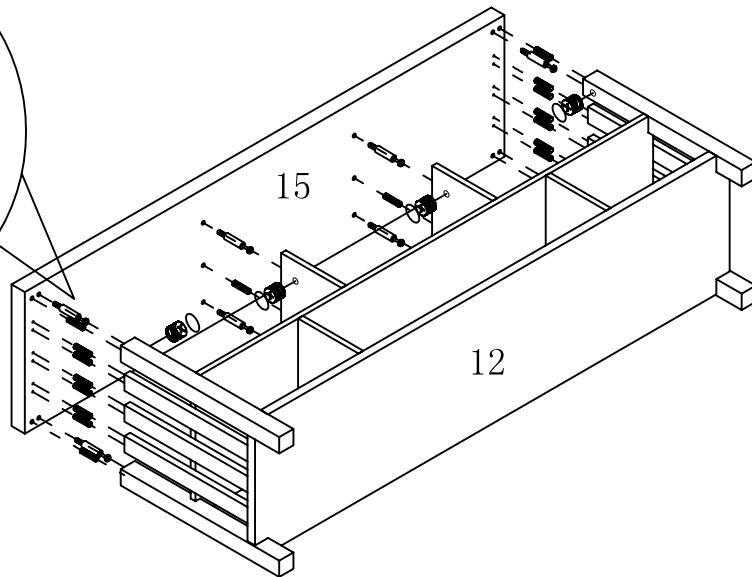
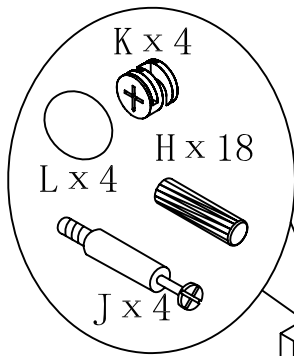
STEP 7

STEP 8

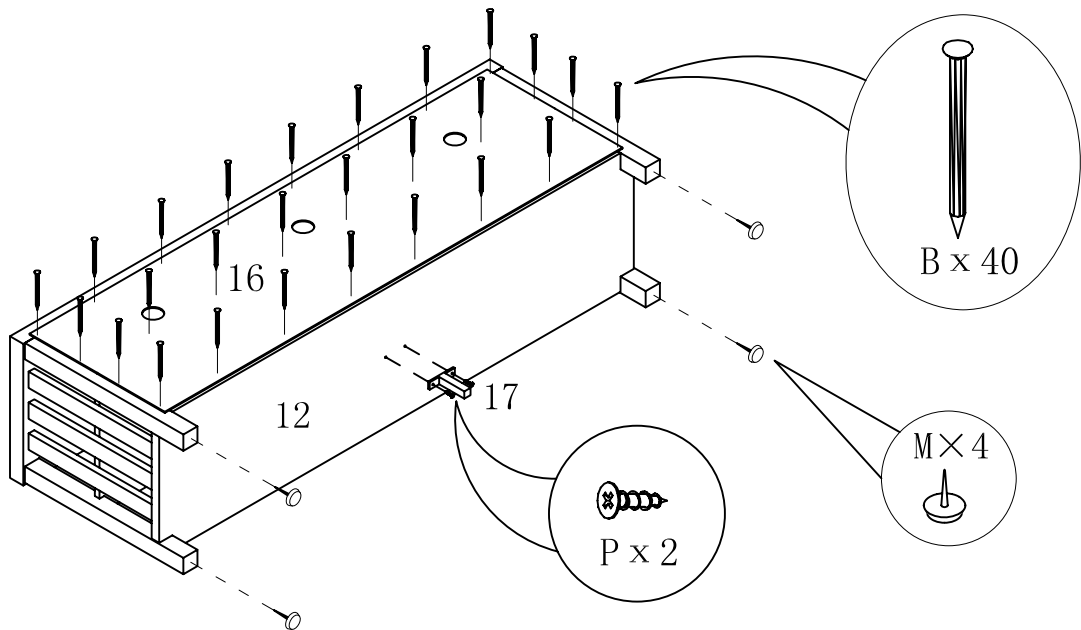


ASSEMBLY INSTRUCTION

ITEM#: 12544



STEP9



STEP10

STEP11

