

ASSEMBLY INSTRUCTION

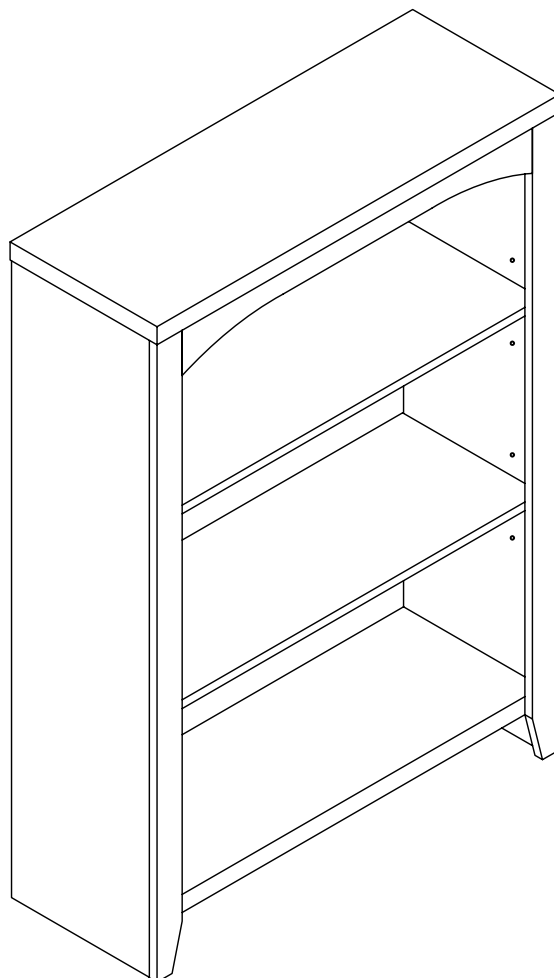
PLEASE READ BEFORE ASSEMBLING!

Tip #1: Make sure you've taken all the pieces and hardware out of its packaging before discarding the box.

Tip #2: Using page 2 and/or page 3 of instruction manual make sure all pieces and hardware are accounted for.

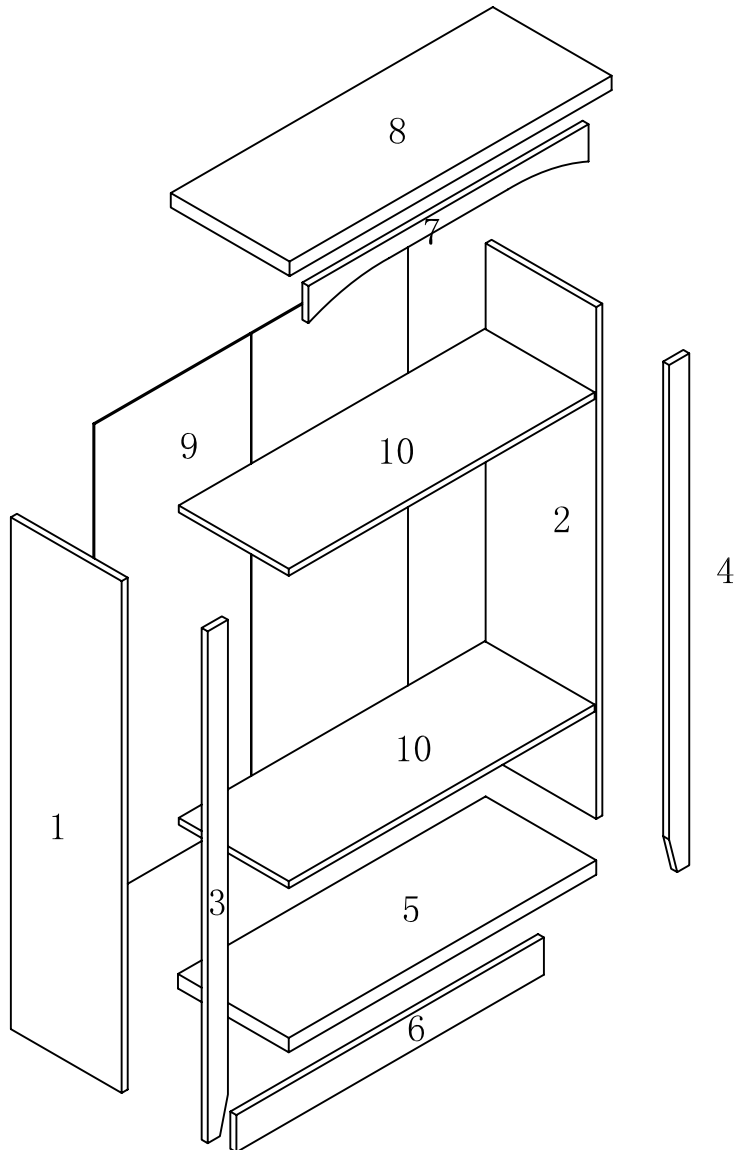
Tip #3: Read manual before assembling, it helps!

ITEM#: 12571



PARTS IDENTIFICATION

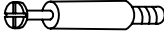


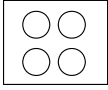




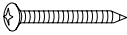
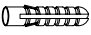

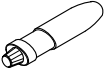
ITEM#: 12571



(1)	1pc	(6)	1pc
(2)	1pc	(7)	1pc
(3)	1pc	(8)	1pc
(4)	1pc	(9)	1pc
(5)	1pc	(10)	2pcs

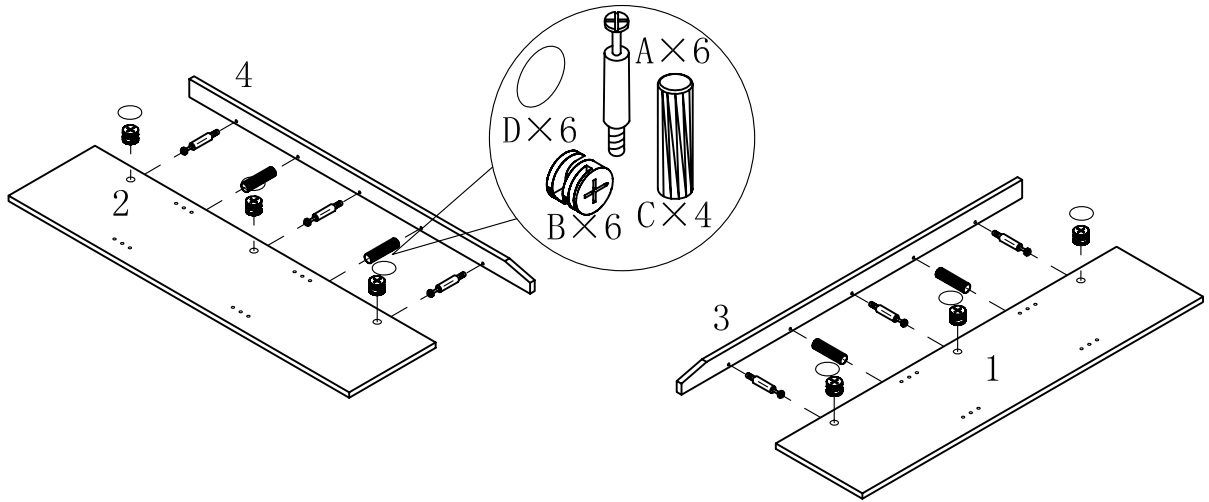
HARDWARE IDENTIFICATION

ITEM#: 12571

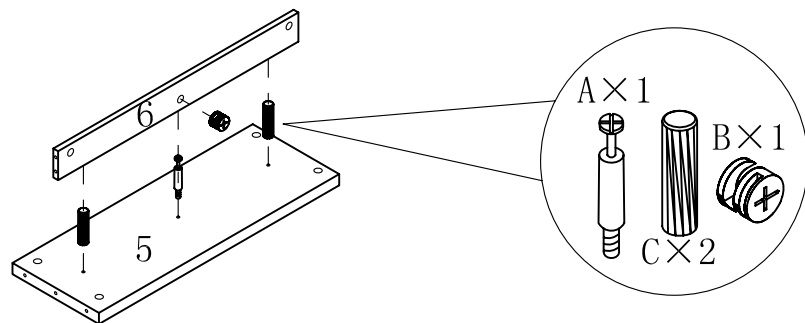
A		L29	19pcs
B		∅15	19pcs
C		∅8×25	15pcs
D		∅18	10pcs
E		∅5	8pcs
F		Z1016	35pcs
G			1pc
H		∅4×25	1pc
I		∅5×40	1pc
J		∅8×40	1pc
K		∅16	5pcs
L		Glue: For securing please apply to wood dowel first before inserting into panel	1pc

ASSEMBLY INSTRUCTION

ITEM#: 12571

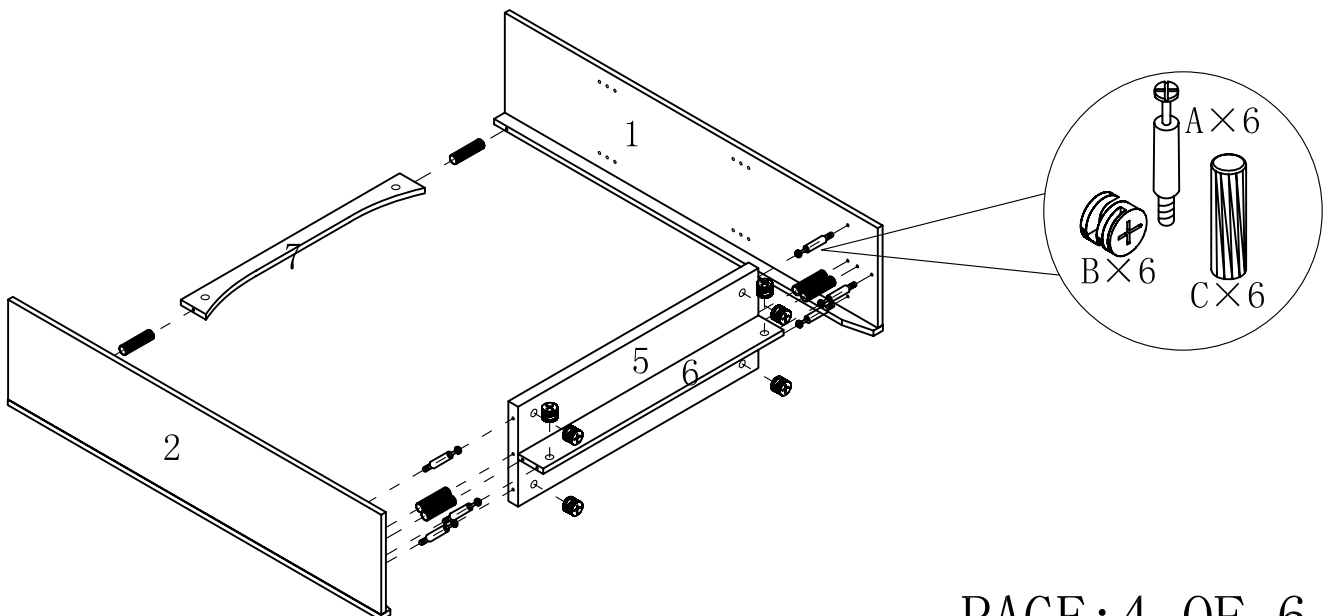


STEP 1



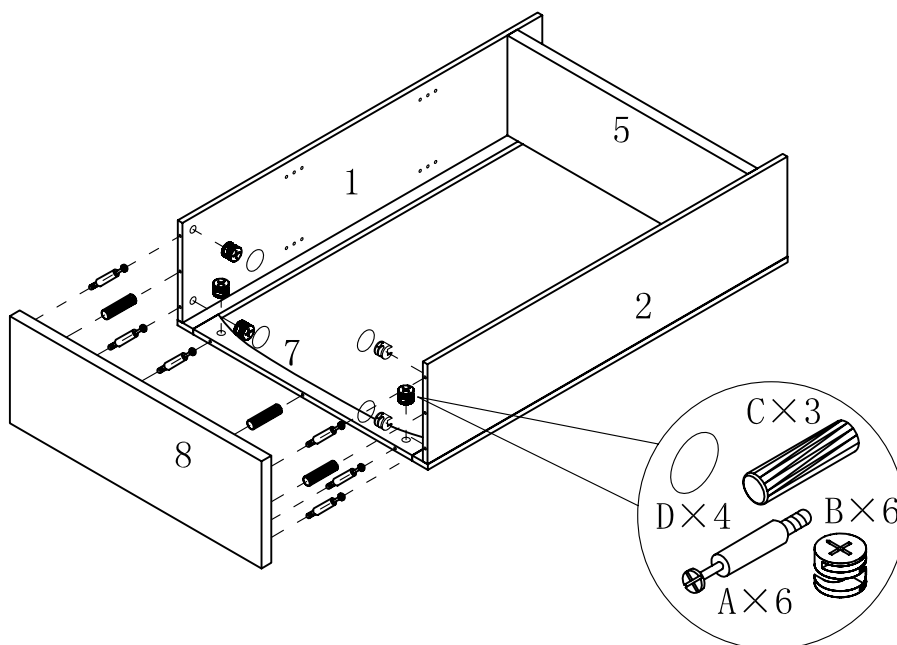
STEP 2

STEP 3



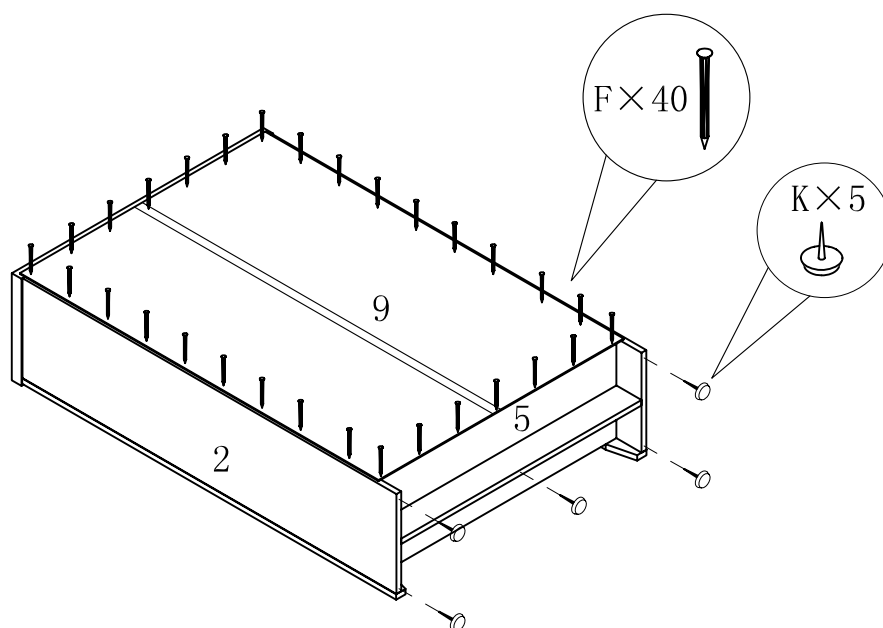
ASSEMBLY INSTRUCTION

ITEM#: 12571



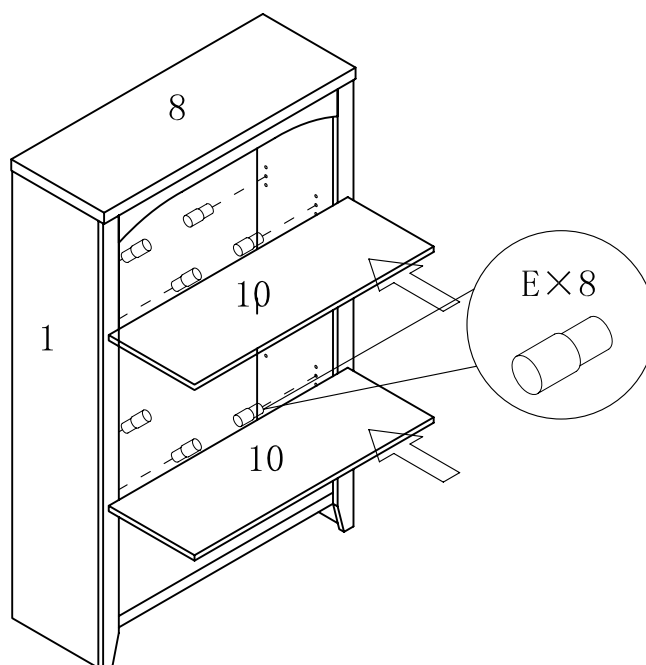
STEP 4

STEP 5



ASSEMBLY INSTRUCTION

ITEM#: 12571



STEP 6

STEP 7

