

# ASSEMBLY INSTRUCTION

---

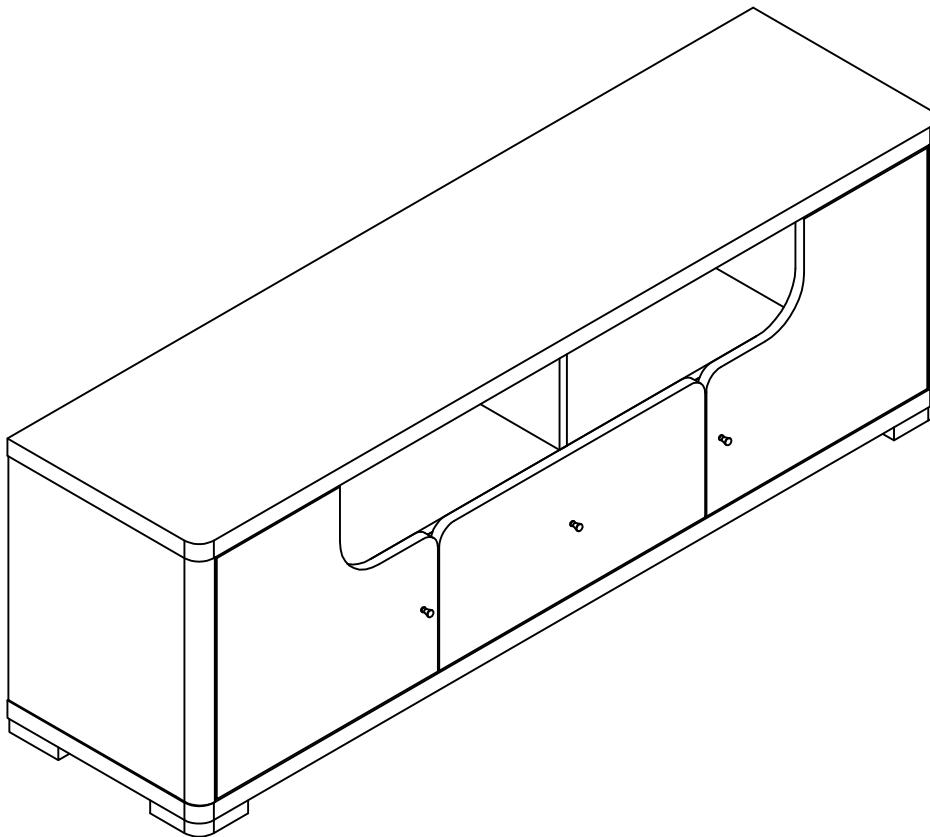
## PLEASE READ BEFORE ASSEMBLING!

Tip #1: Make sure you've taken all the pieces and hardware out of its packaging before discarding the box.

Tip #2: Using page 2 and/or page 3 of instruction manual make sure all pieces and hardware are accounted for.

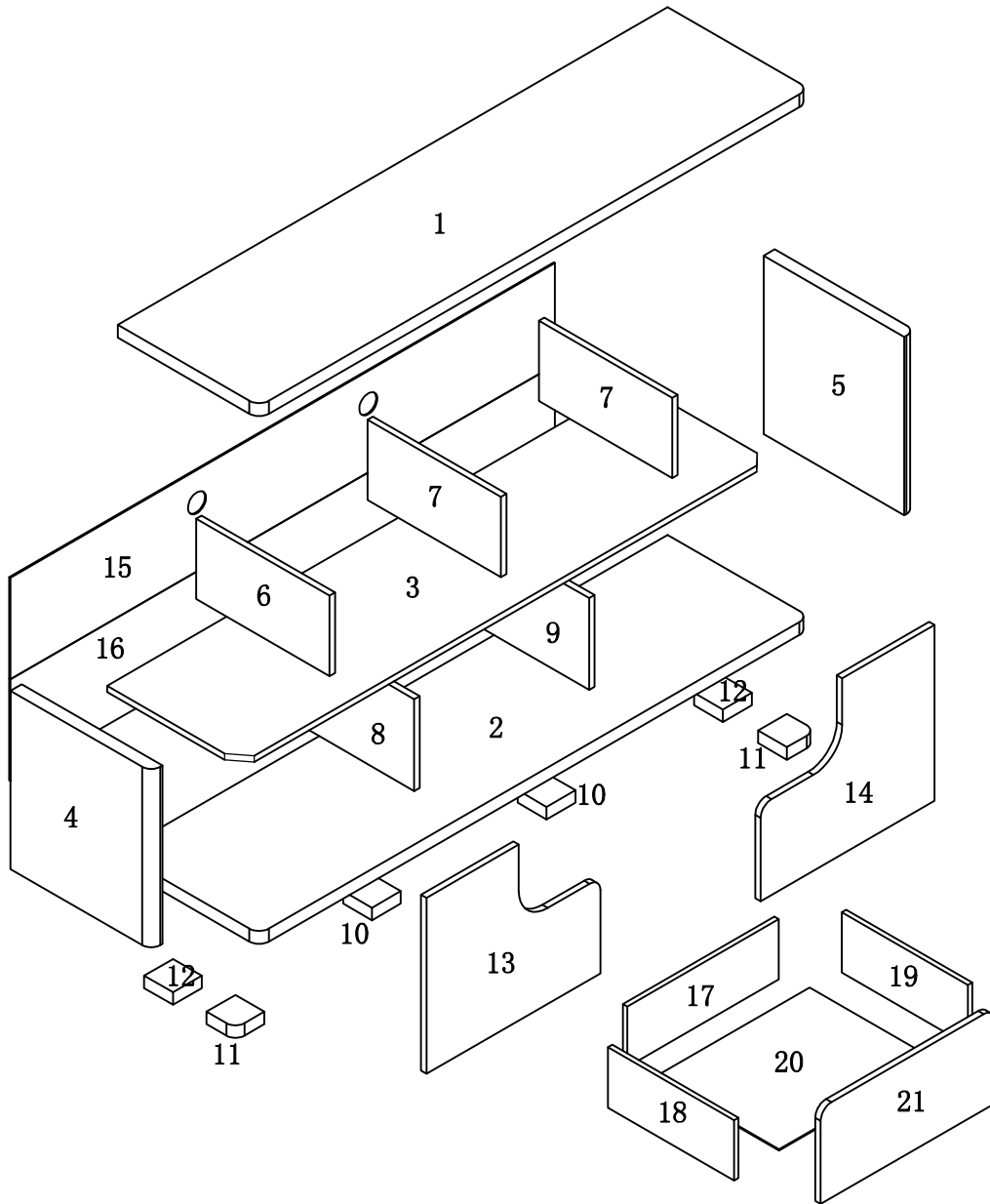
Tip #3: Read manual before assembling, it helps!

ITEM#      13763      13824



# PARTS IDENTIFICATION

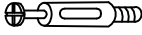





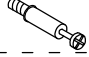












ITEM#: 13763



(1)	1pc	(8)	1pc	(15)	1pc
(2)	1pc	(9)	1pc	(16)	1pc
(3)	1pc	(10)	2pcs	(17)	1pc
(4)	1pc	(11)	2pcs	(18)	1pc
(5)	1pc	(12)	2pcs	(19)	1pc
(6)	1pc	(13)	1pc	(20)	1pc
(7)	2pcs	(14)	1pc	(21)	1pc

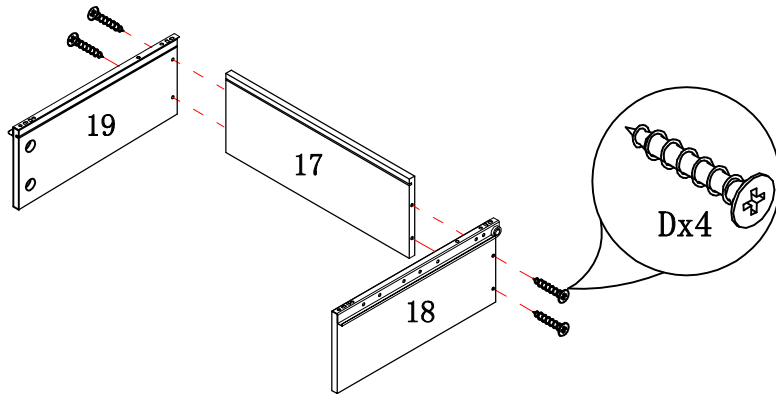
# HARDWARE IDENTIFICATION

ITEM#: 13763

A		L=29	18pcs
B		ø15	18pcs
C		ø8 x 25	16pcs
D		ø4x30	4pcs
E		ø5	3pcs
F		ø4x20	3pcs
G		L20	4pcs
H		ø12	4pcs
I		ø7 × 48	4pcs
J		ø4x40	18pcs
K			2pcs
L		ø3x14 (BK)	4pcs
M		ø3x16 (BK)	4pcs
N		ø5	2pcs
O		ø4x50	4pcs
P		ø18	12pcs
Q		Z1016	40pcs
R		ø16	6pcs
R		Glue: For securing please apply to wood dowel first before inserting into panel	1pc

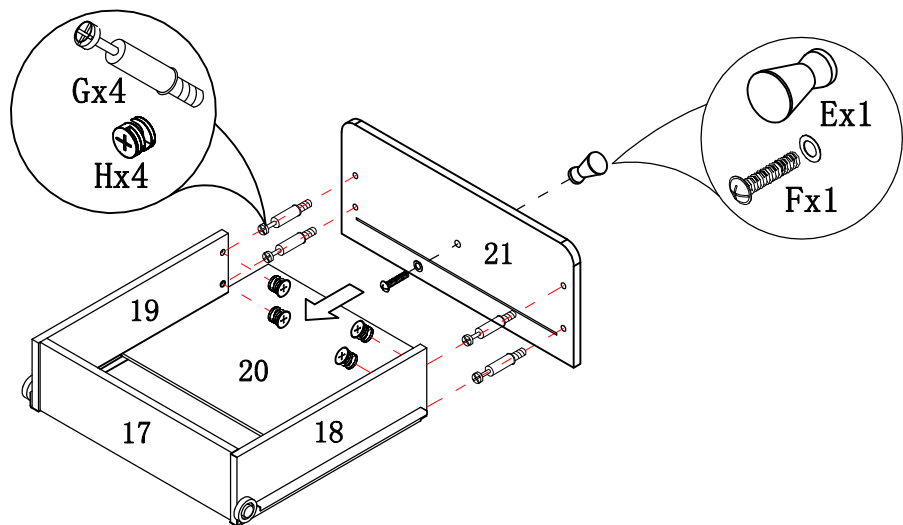
# ASSEMBLY INSTRUCTION

ITEM#: 13763



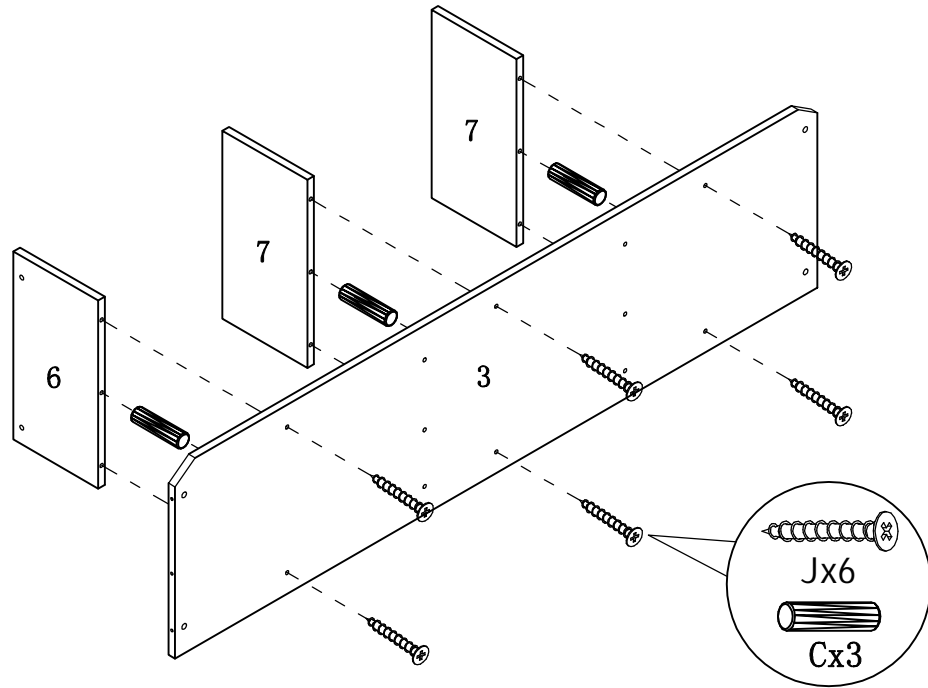
STETP 1

STETP 2



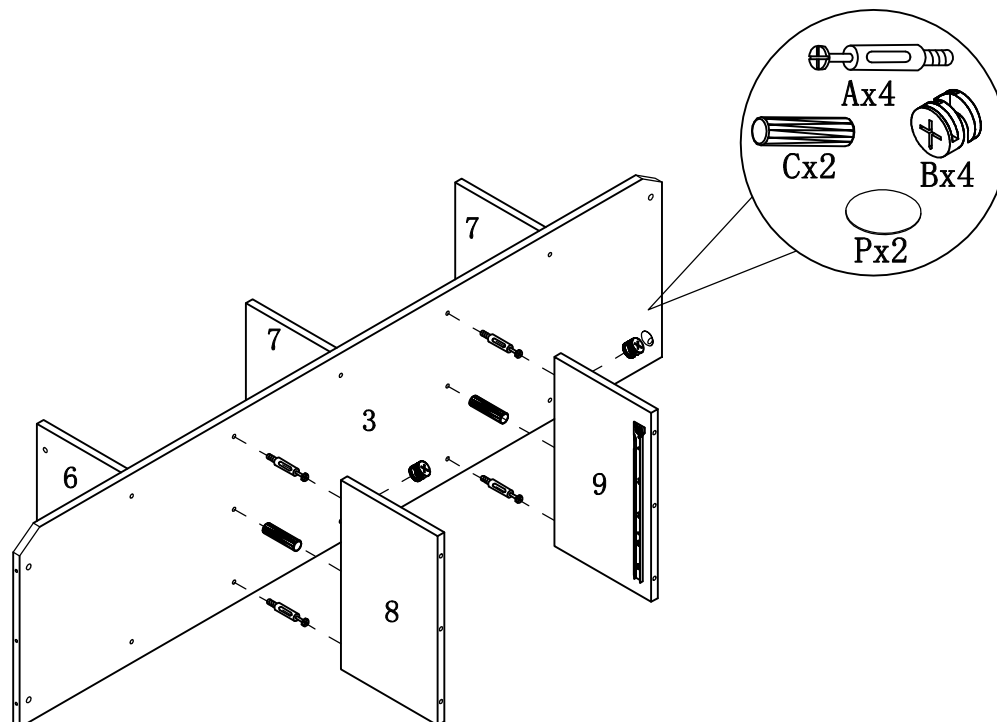
# ASSEMBLY INSTRUCTION

ITEM#: 13763



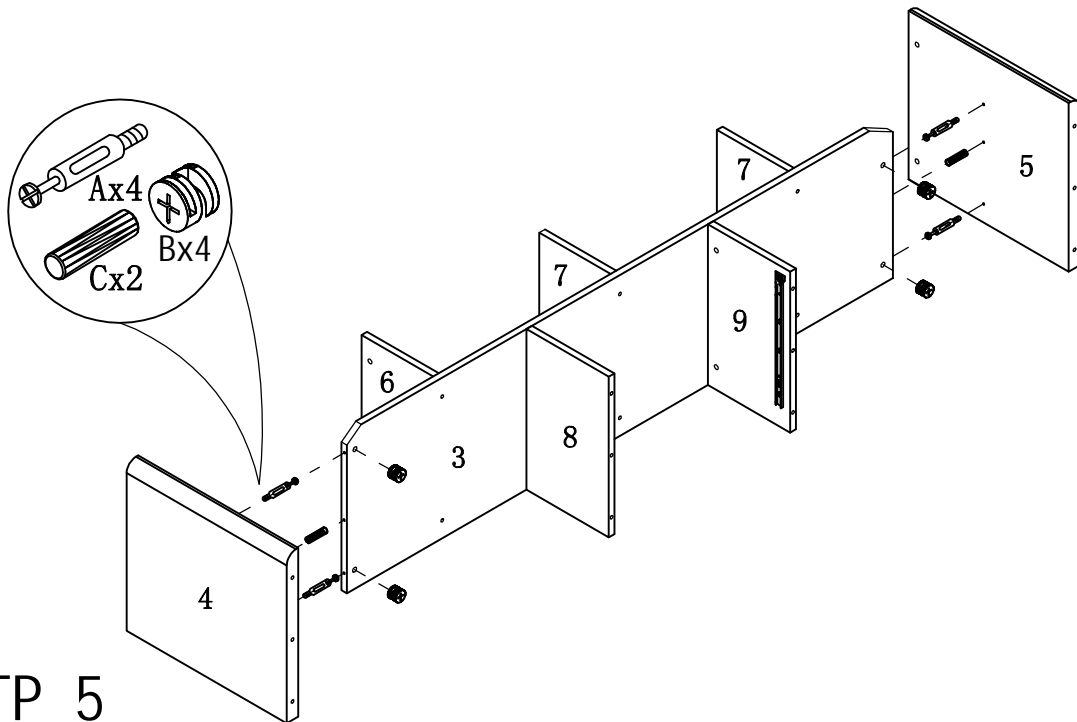
STETP 3

STETP 4



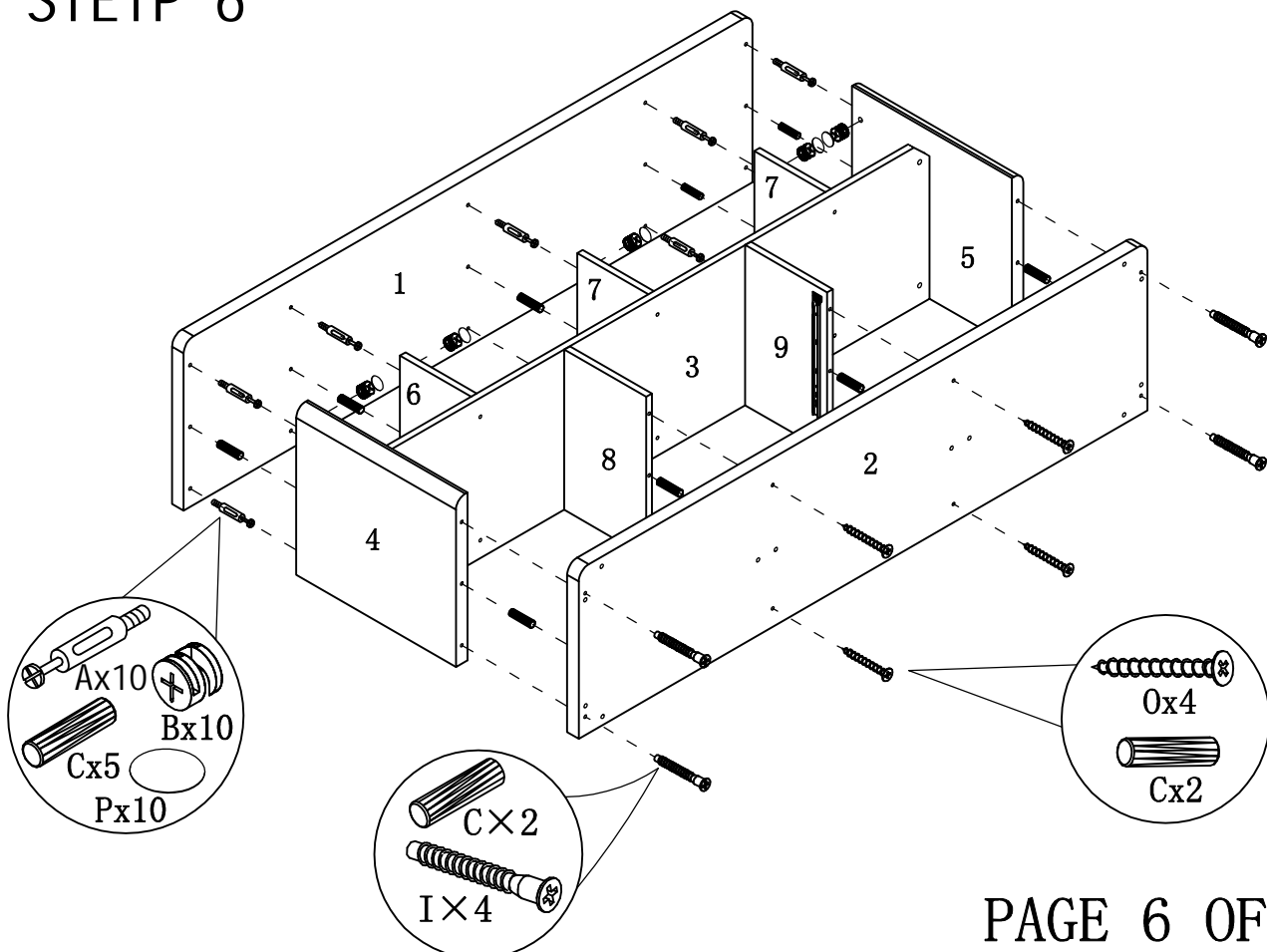
# ASSEMBLY INSTRUCTION

ITEM#: 13763



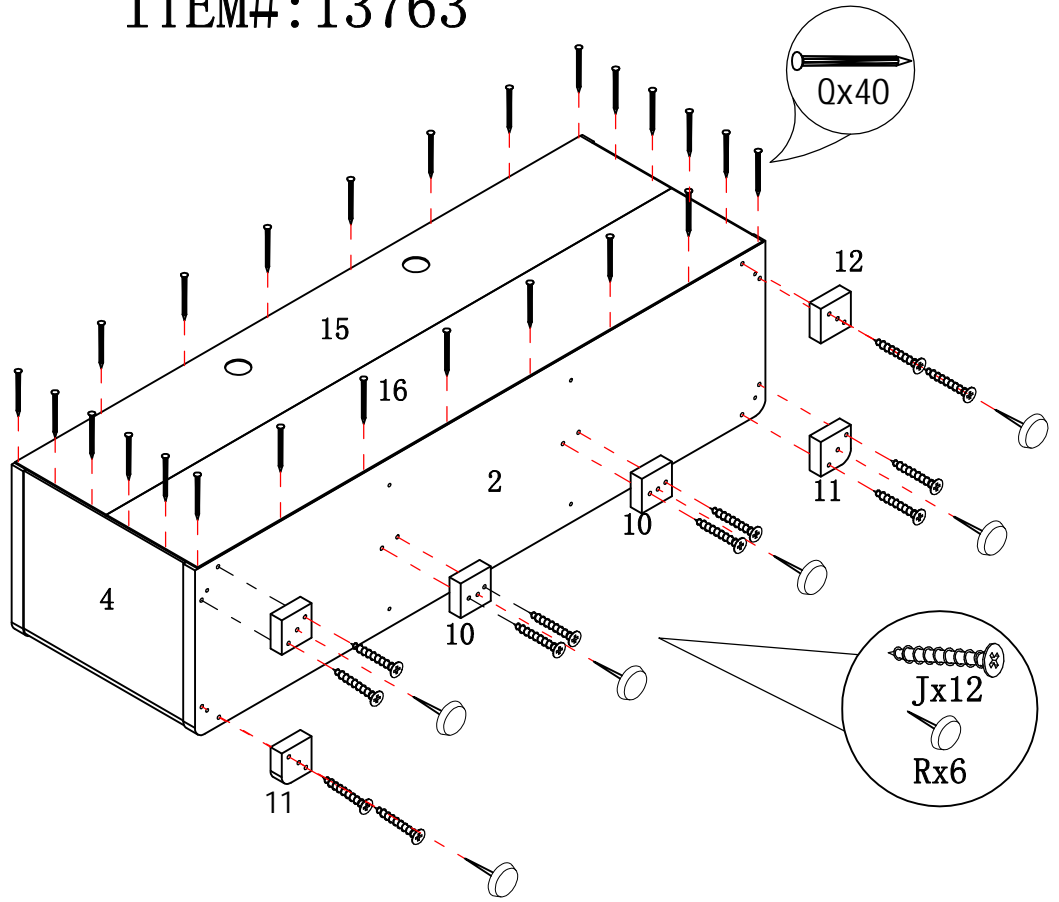
STEP 5

STEP 6



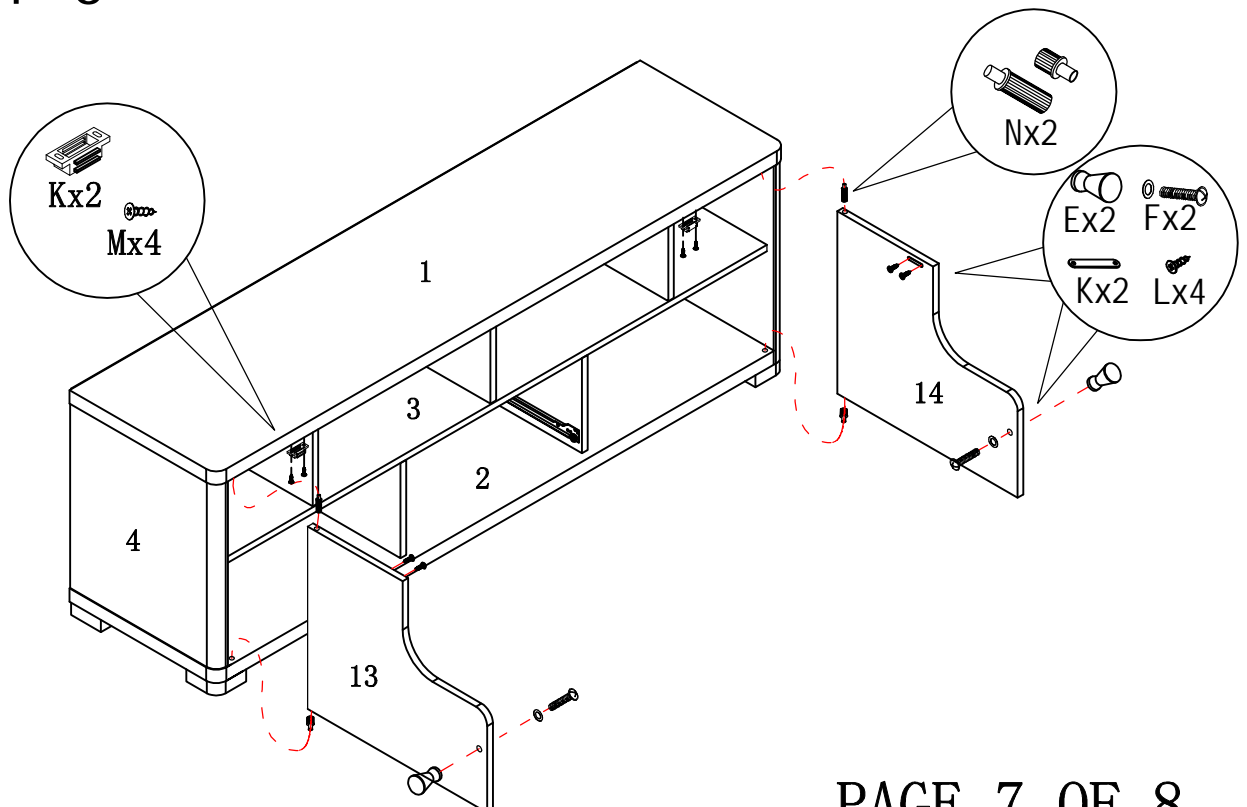
# ASSEMBLY INSTRUCTION

ITEM#: 13763



STEP 7

STEP 8



PAGE 7 OF 8

# ASSEMBLY INSTRUCTION

ITEM#: 13763

