

ASSEMBLY INSTRUCTION

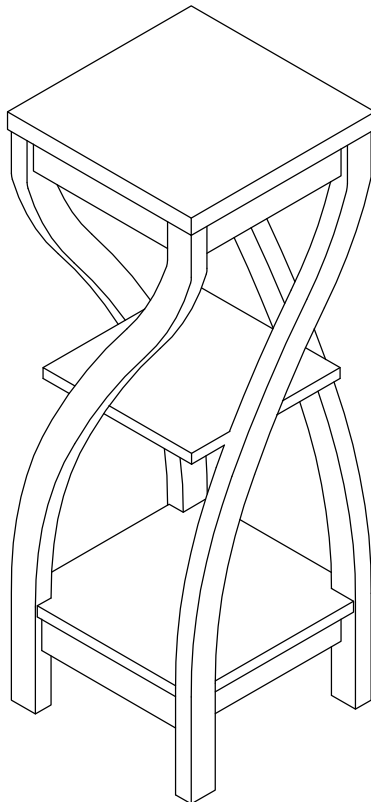
PLEASE READ BEFORE ASSEMBLING!

Tip #1: Make sure you've taken all the pieces and hardware out of its packaging before discarding the box.

Tip #2: Using page 2 and/or page 3 of instruction manual make sure all pieces and hardware are accounted for.

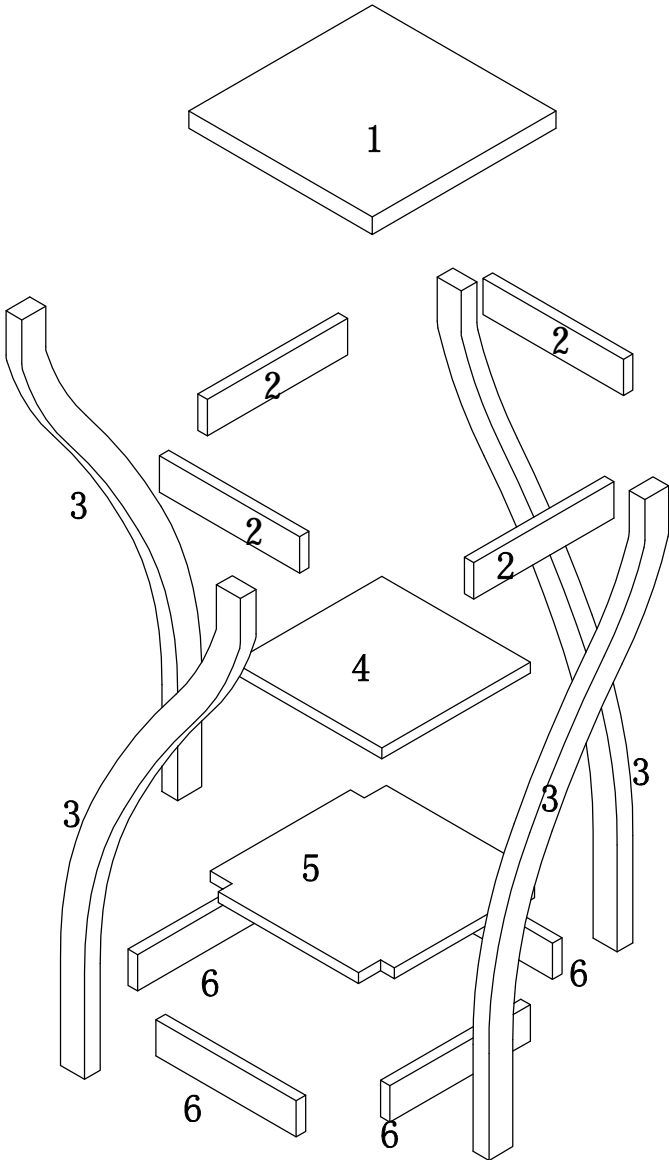
Tip #3: Read manual before assembling, it helps!

ITEM#: 14851



PARTS IDENTIFICATION

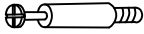


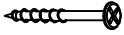
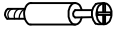

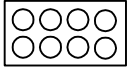
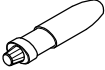
ITEM#: 14851



- (1) 1pc
- (2) 4pcs
- (3) 4pcs
- (4) 1pc
- (5) 1pc
- (6) 4pcs

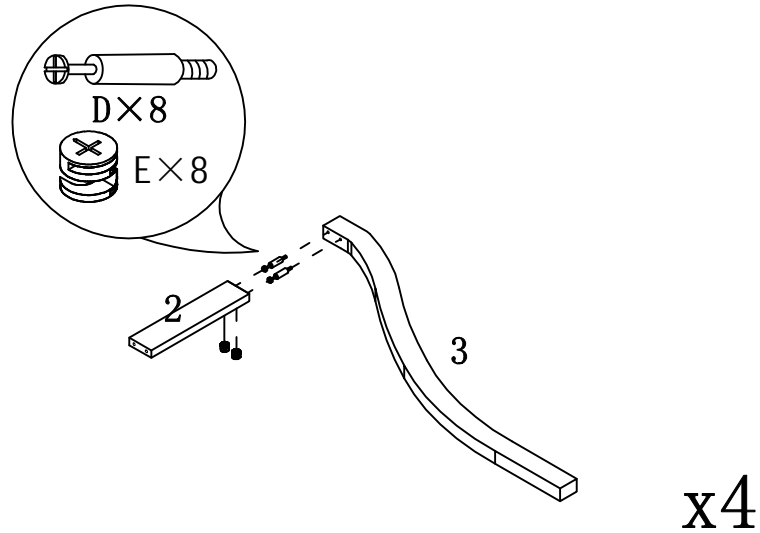
HARDWARE IDENTIFICATION

ITEM#: 14851

A		L29	16pcs
B		Ø15	16pcs
C		Ø8x25	8pcs
D		Ø4. 2x60	4pcs
E		L23	16pcs
F		Ø12	16pcs
G		Ø13	4pcs
H		Glue: For securing please apply to wood dowel first before inserting into panel	1pc

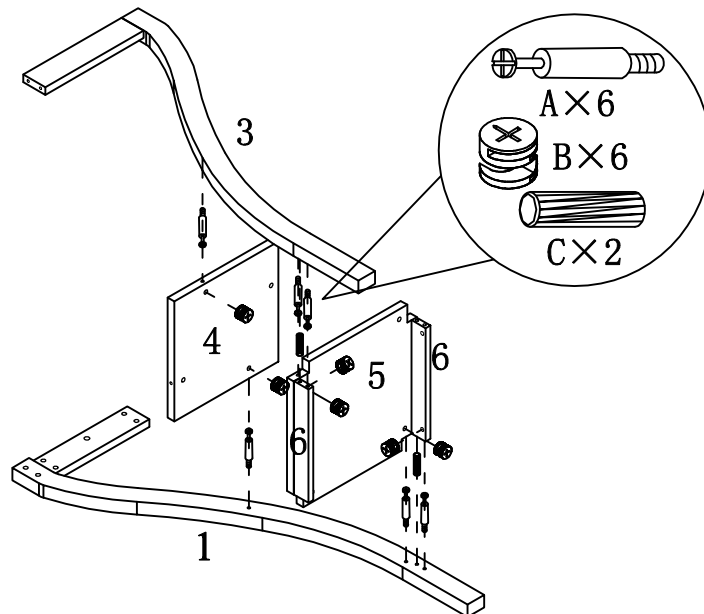
ASSEMBLY INSTRUCTION

ITEM#: 14851



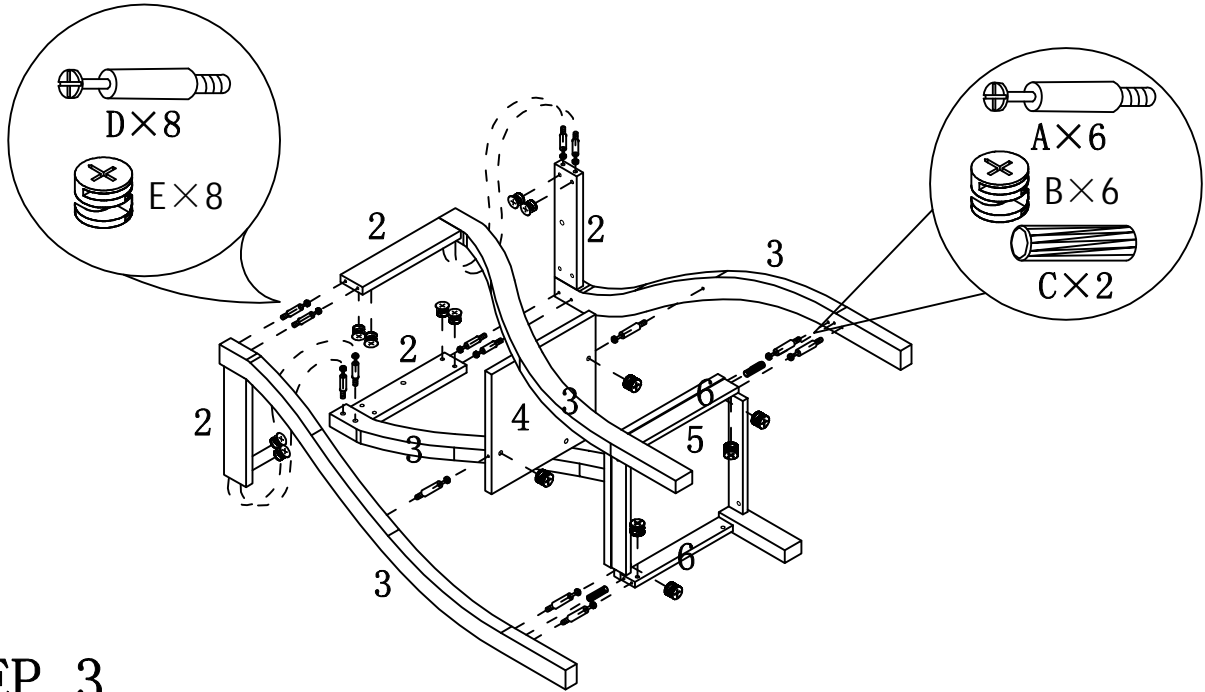
STEP 1

STEP 2



ASSEMBLY INSTRUCTION

ITEM#: 14851



STEP 3

STEP 4

