

ASSEMBLY INSTRUCTION

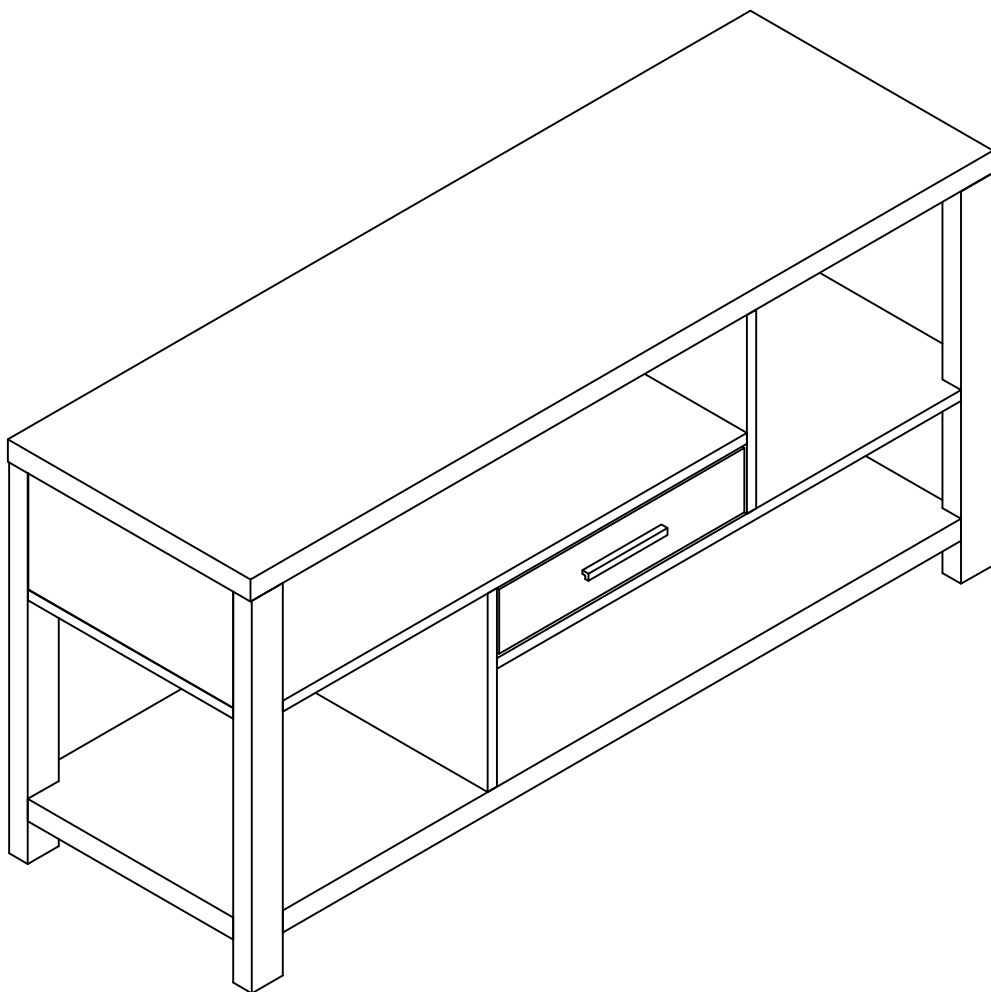
PLEASE READ BEFORE ASSEMBLING!

Tip #1: Make sure you've taken all the pieces and hardware out of its packaging before discarding the box.

Tip #2: Using page 2 and/or page 3 of instruction manual make sure all pieces and hardware are accounted for.

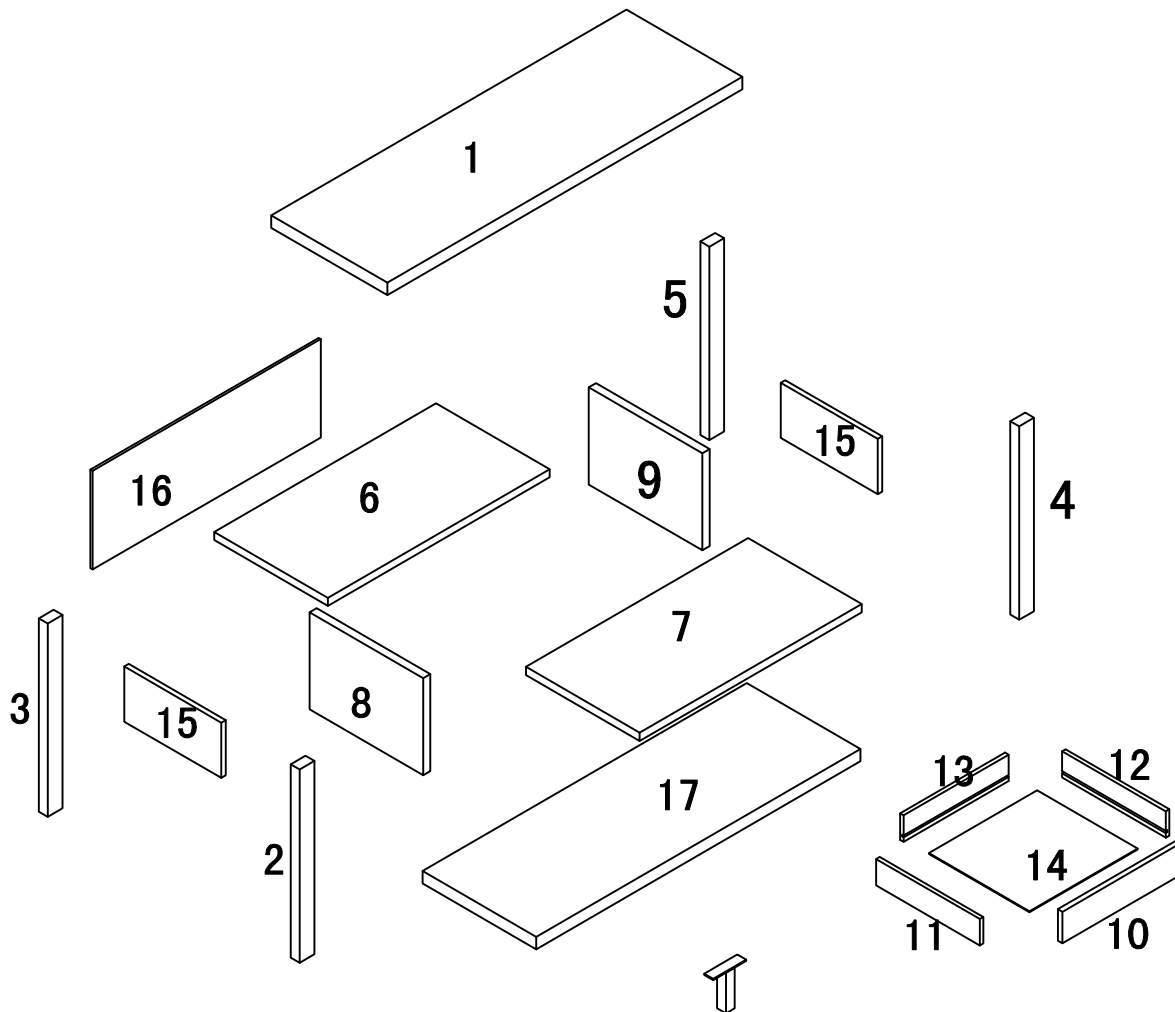
Tip #3: Read manual before assembling, it helps!

ITEM# 14893 14966



PARTS IDENTIFICATION

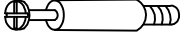

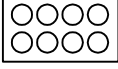

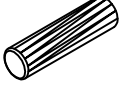
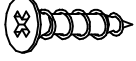
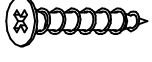


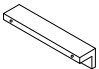


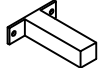

ITEM#: 14893



| | | | |
|------|-----|------|------|
| (1) | 1pc | (11) | 1pc |
| (2) | 1pc | (12) | 1pc |
| (3) | 1pc | (13) | 1pc |
| (4) | 1pc | (14) | 1pc |
| (5) | 1pc | (15) | 2pcs |
| (6) | 1pc | (16) | 1pc |
| (7) | 1pc | (17) | 1pc |
| (8) | 1pc | | |
| (9) | 1pc | | |
| (10) | 1pc | | |

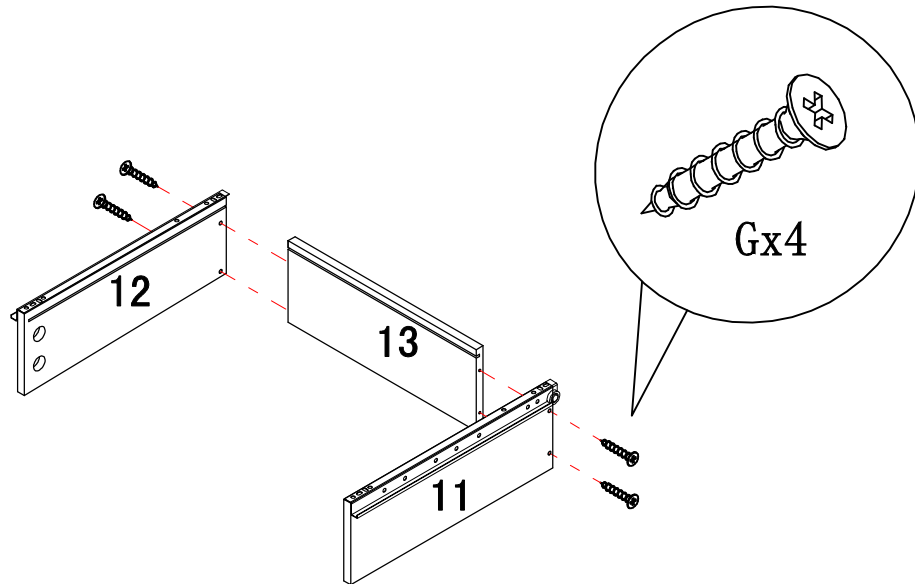
HARDWARE IDENTIFICATION

ITEM#: 14893

| | | | |
|---|---|---|-------|
| A |  | L29 | 26pcs |
| B |  | Φ 15 | 26pcs |
| C |  | Φ 20 | 16pcs |
| D |  | Φ 7x48 | 8pcs |
| E |  | Φ 8x25 | 12pcs |
| F |  | Φ 4x16 | 2pcs |
| G |  | Φ 4x30 | 4pcs |
| H |  | L20 | 4pcs |
| I |  | Φ 12 | 4pcs |
| J |  | Φ 96 | 1pcs |
| K |  | Φ 4x22 | 2pcs |
| L |  | | 20pcs |
| M |  | Φ 80x25x58 | 1pcs |
| N |  | Glue: For securing please apply to wood dowel first before inserting into panel | 1pc |

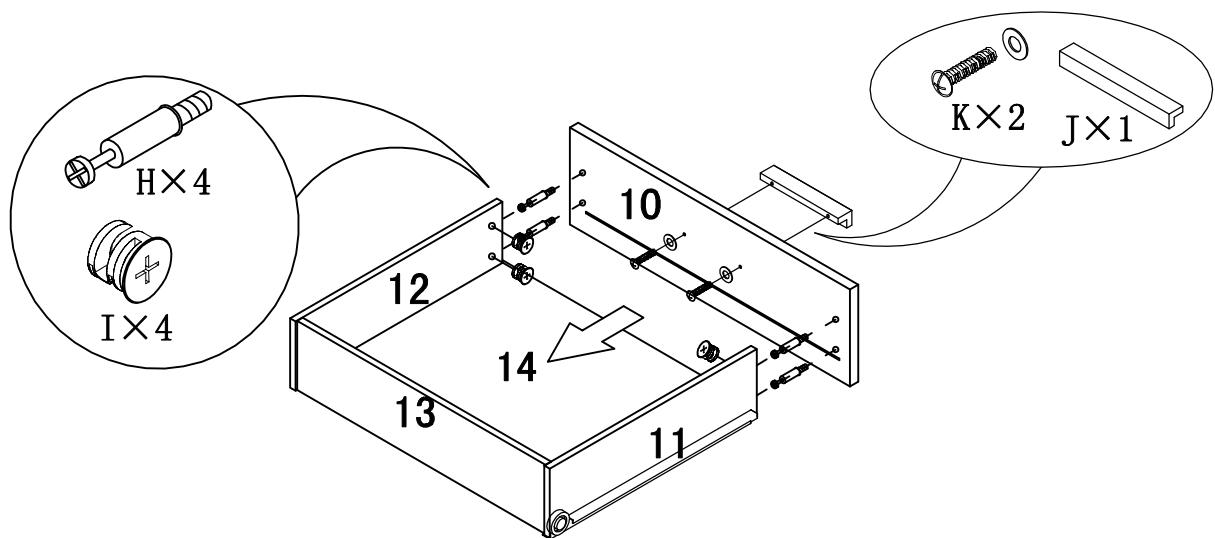
ASSEMBLY INSTRUCTION

ITEM#: 14893



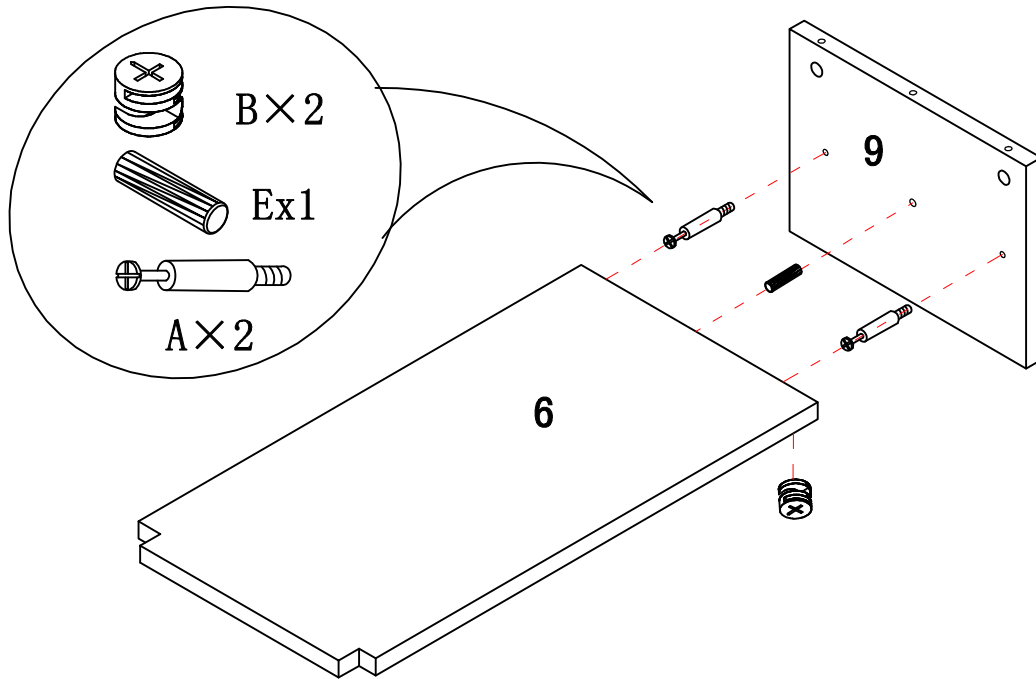
STEP 1

STEP 2



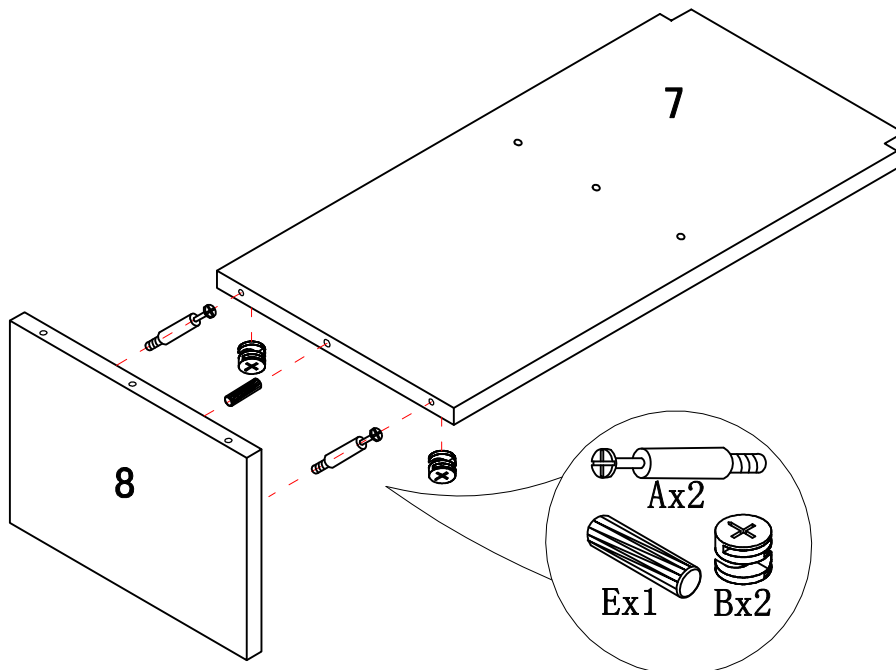
ASSEMBLY INSTRUCTION

ITEM#: 14893



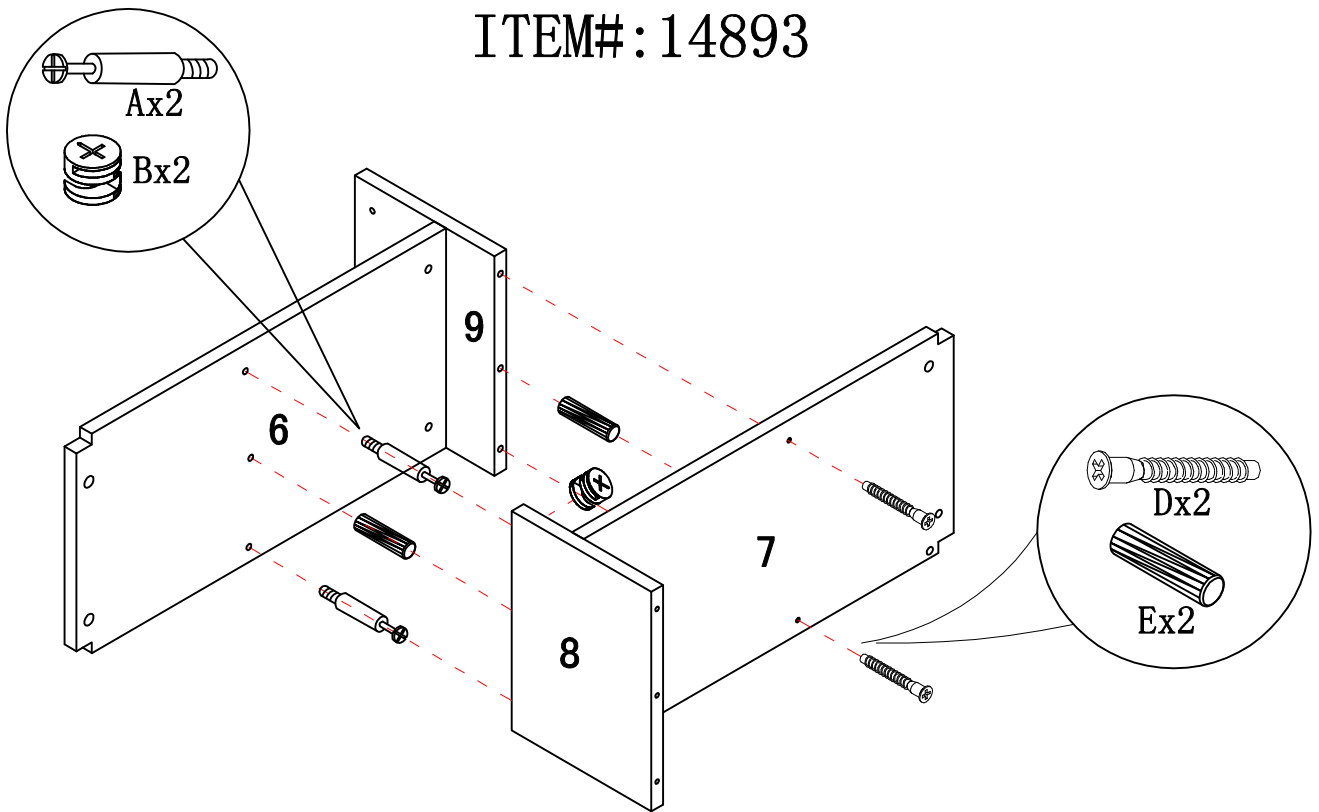
STEP 3

STEP 4



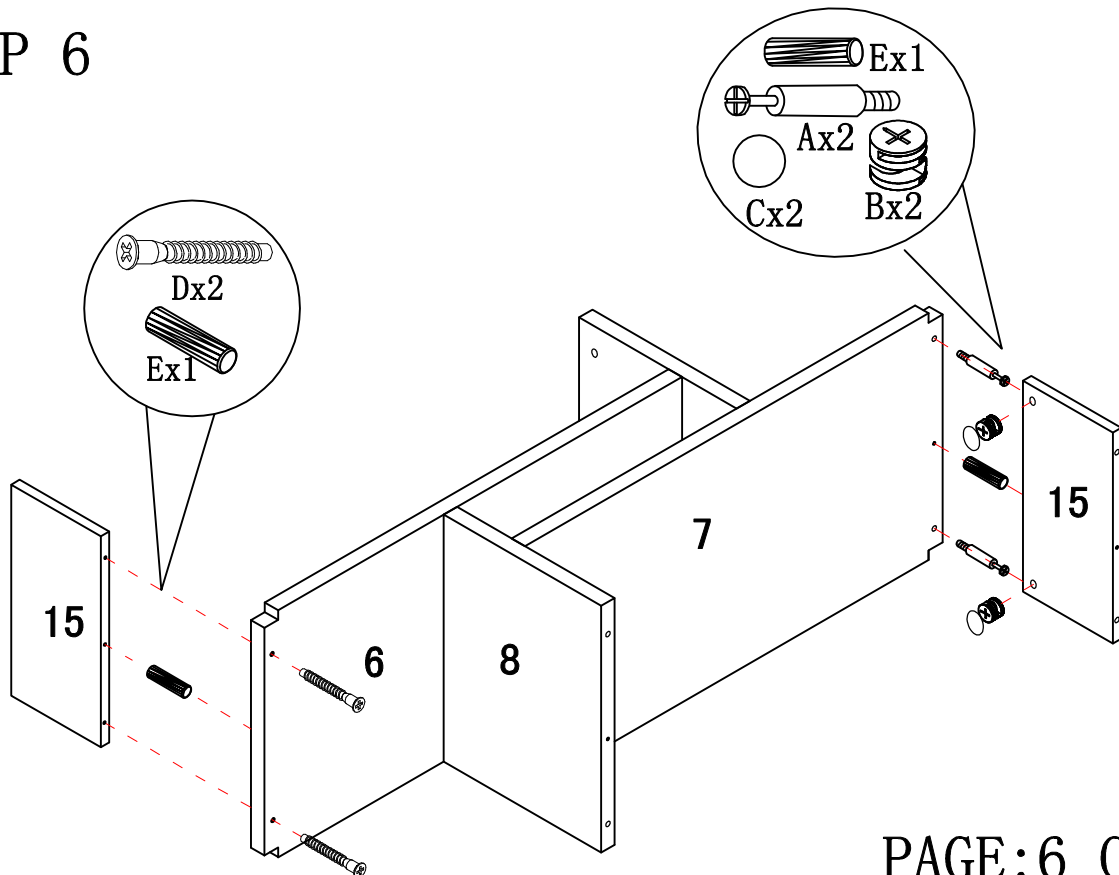
ASSEMBLY INSTRUCTION

ITEM#: 14893



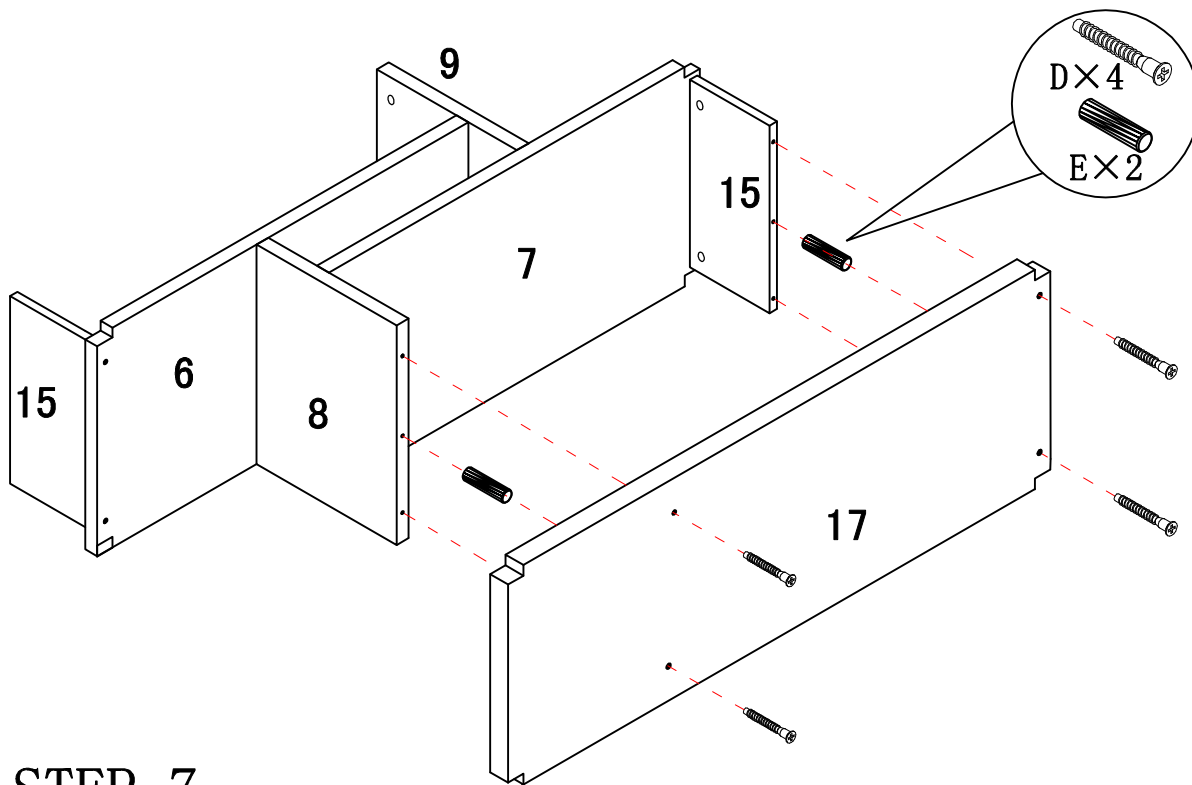
STEP 5

STEP 6



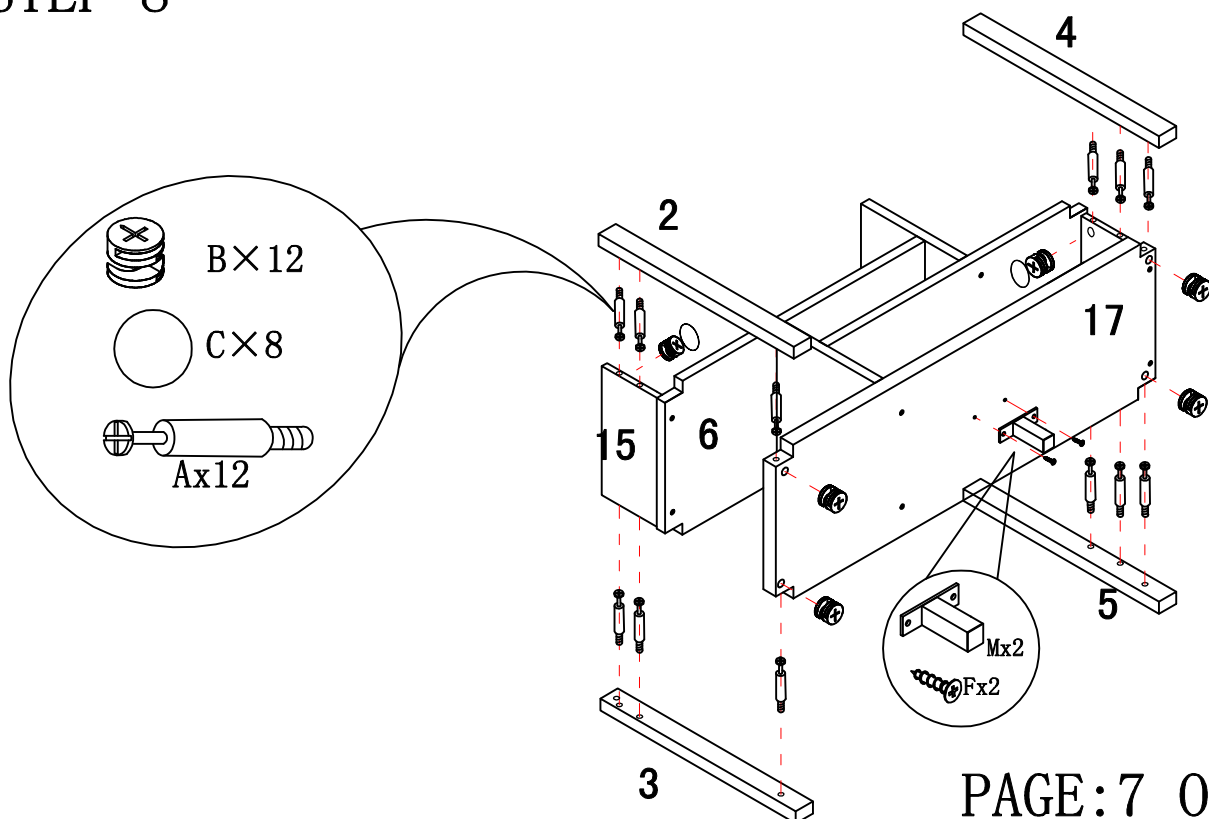
ASSEMBLY INSTRUCTION

ITEM#: 14893



STEP 7

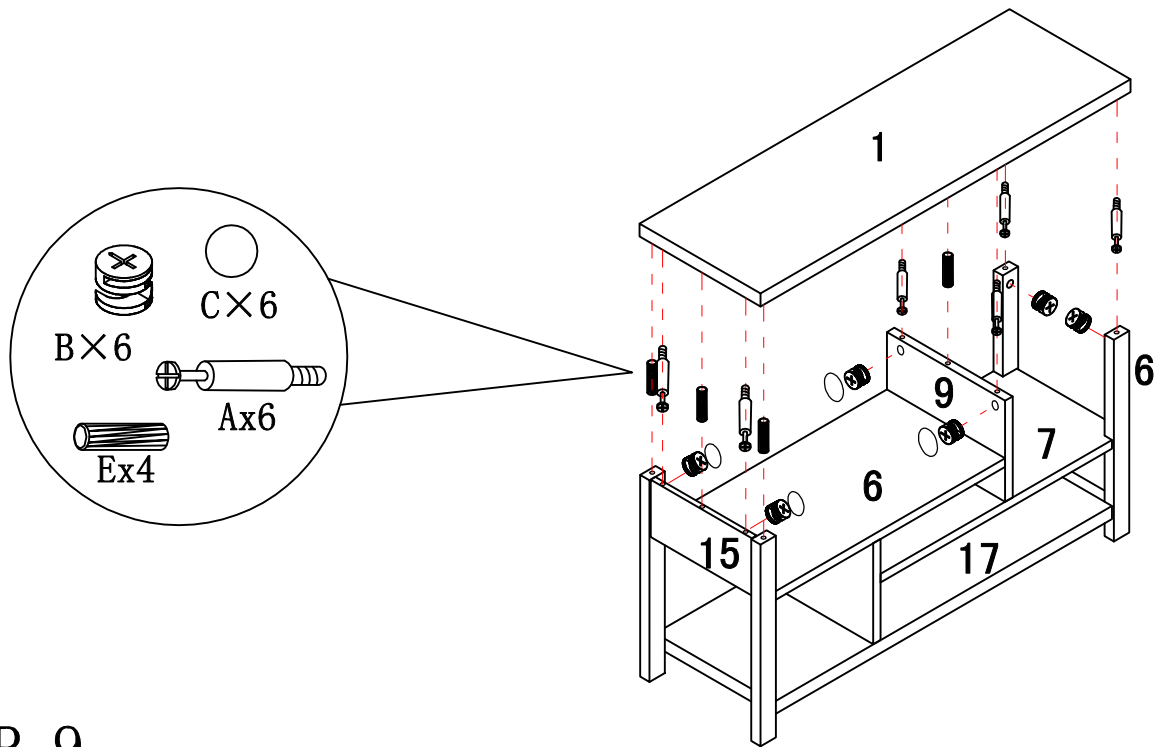
STEP 8



PAGE: 7 OF 9

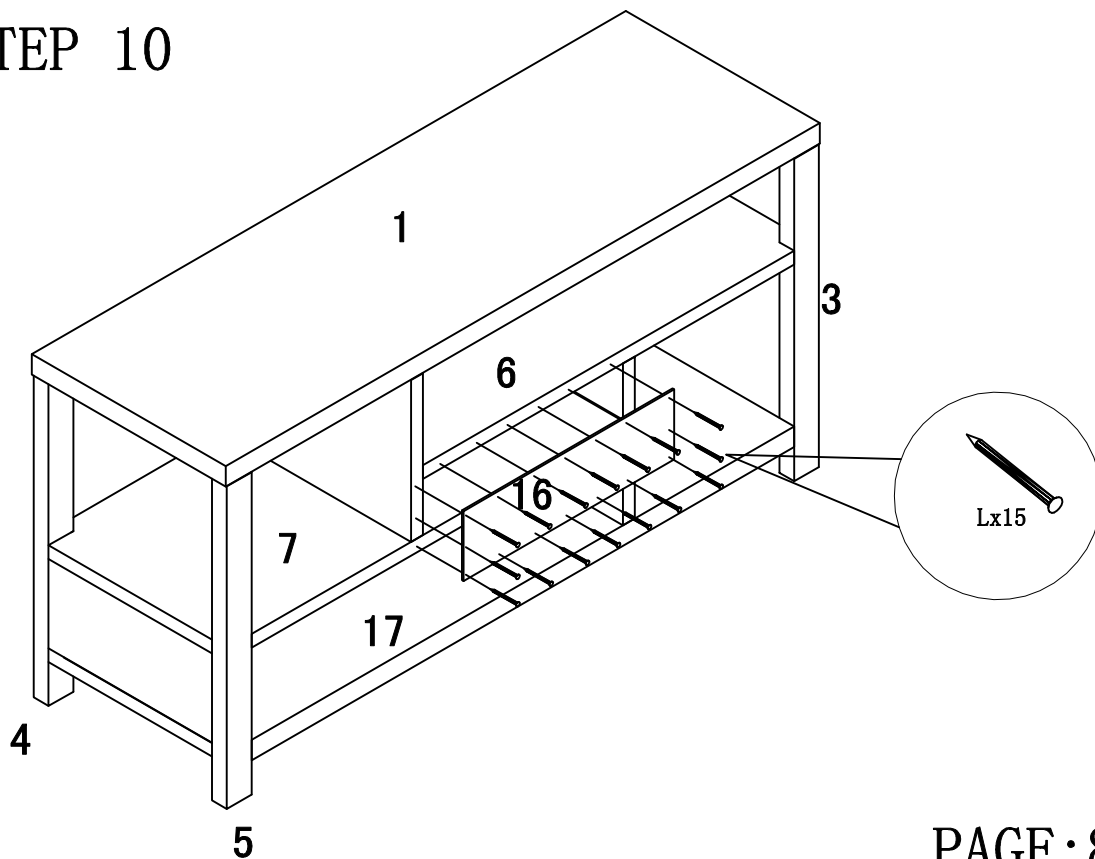
ASSEMBLY INSTRUCTION

ITEM#: 14893



STEP 9

STEP 10



PAGE:8 OF 9

ASSEMBLY INSTRUCTION

ITEM#: 14893

