

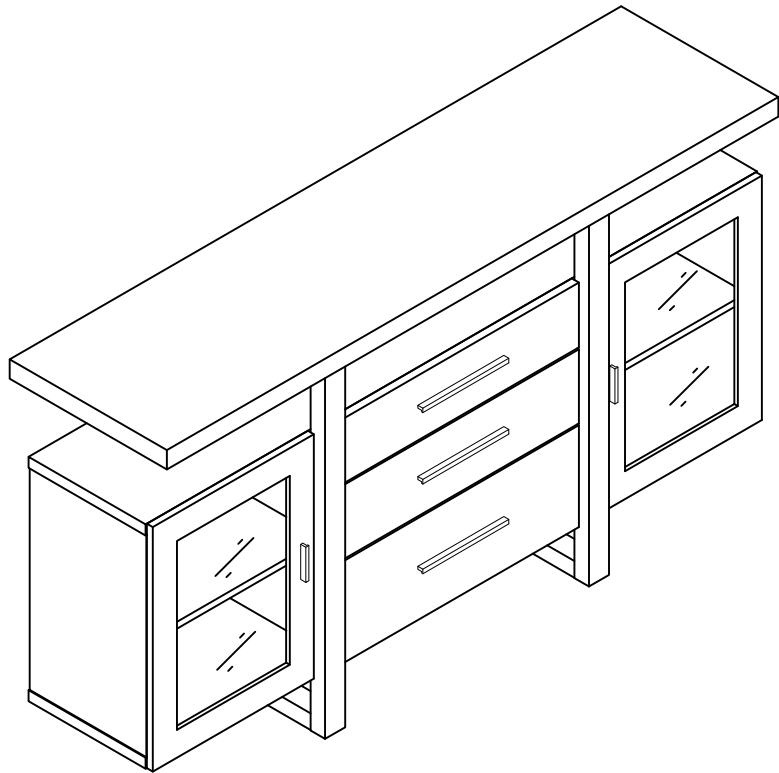
ASSEMBLY INSTRUCTION

PLEASE READ BEFORE ASSEMBLING!

Tip #1: Make sure you've taken all the pieces and hardware out of its packaging before discarding the box.

Tip #2: Using page 2 and/or page 3 of instruction manual make sure all pieces and hardware are accounted for.

ITEM#: 14901 151210

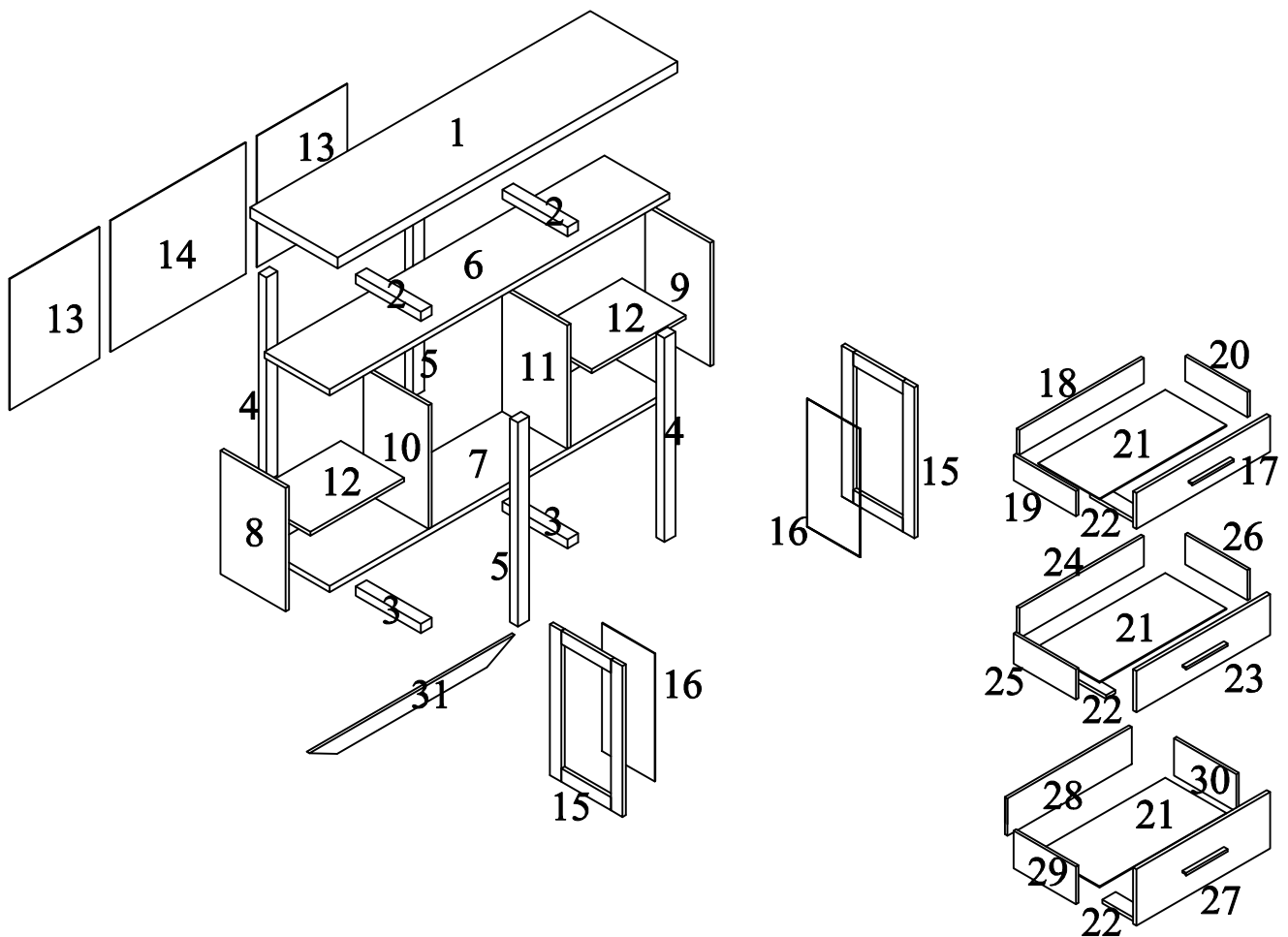


Need some help?
Scan here for
assembly video.



PARTS IDENTIFICATION




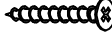



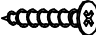
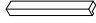

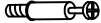





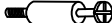





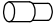
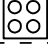

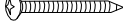





ITEM#: 14901 151210



(1)	1PC	(9)	1PC	(17)	1PC	(25)	1PC
(2)	2PCS	(10)	1PC	(18)	1PC	(26)	1PC
(3)	2PCS	(11)	1PC	(19)	1PC	(27)	1PC
(4)	2PCS	(12)	2PCS	(20)	1PC	(28)	1PC
(5)	2PCS	(13)	2PCS	(21)	3PCS	(29)	1PC
(6)	1PC	(14)	1PC	(22)	3PCS	(30)	1PC
(7)	1PC	(15)	2PCS	(23)	1PC	(31)	1PC
(8)	1PC	(16)	2PCS	(24)	1PC		

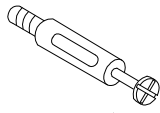

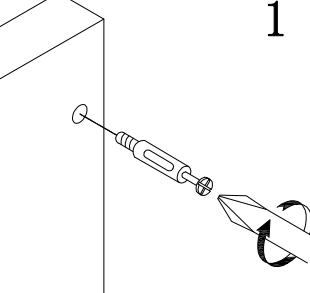
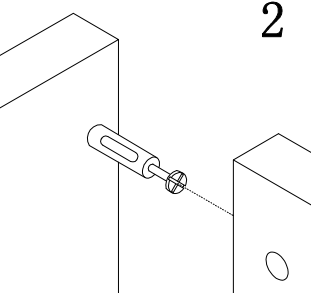
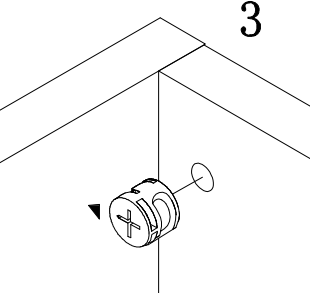
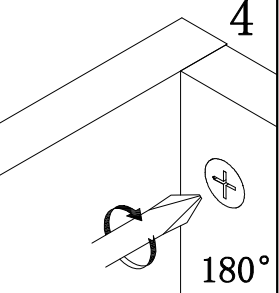
HARDWARE IDENTIFICATION

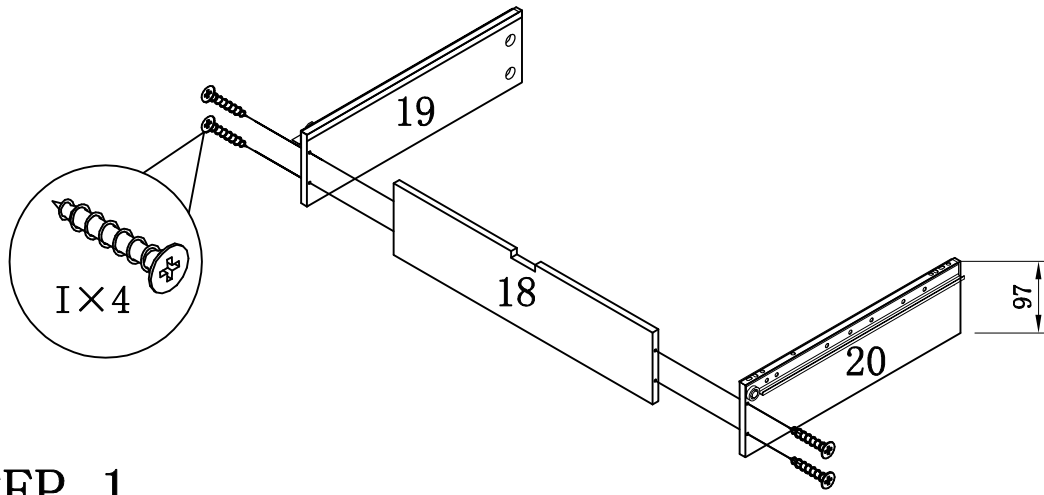
ITEM#: 14901 151210

A		L29	12PCS
B		Φ 15	12PCS
C		Φ 8x25	28PCS
D		Φ 4x45	10PCS
E		Φ 8x70	8PCS
F		Φ 29	8PCS
H		M6X35	4PCS
I		Φ 4x30	12PCS
J		64#	2PCS
K		M4x22	10PCS
L		L20	12PCS
M		Φ 12	12PCS
N		301A	4PCS
O		Φ 4x16	16PCS
P		M13	1PC
Q		M4	1PC
R		L23	8PCS
S		ø12	8PCS
T		Φ 6x30	6PCS
U		96#	3PCS
V			12PCS
W		Φ 4x25	6PCS
X		ø5	8pcs
Y		ø20	4pcs
Aa		197×5×1	1PC
Ab		ø5x40	1PC
Ac		ø8x40	1PC
Ad		Z1016	35PCS
Ae		Φ 4x25	1PC
Af		12×12×1	2PCS
Ag		Glue: For securing please apply to wood dowel first before inserting into panel	1PC

ASSEMBLY INSTRUCTION

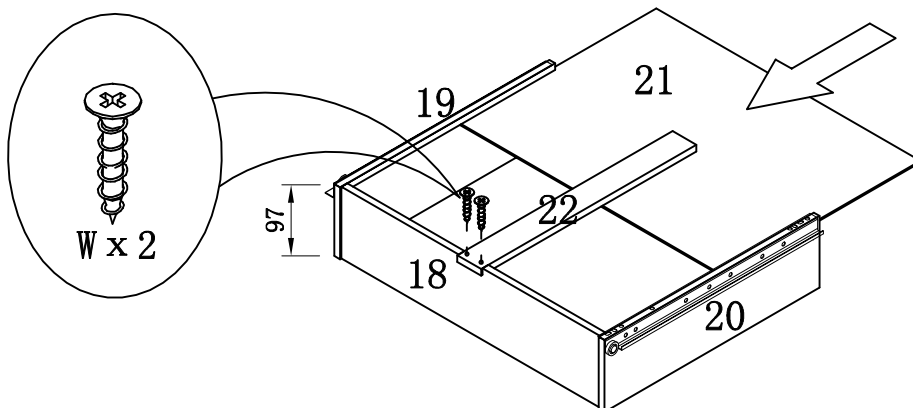
ITEM#: 14901 151210

<p>HOW TO</p>  <p>Cam Bolt</p>  <p>Cam Lock</p>	<p>1</p>  <p>1. Screw Cam Bolt into panel.</p>	<p>2</p>  <p>2. Insert Cam Bolt into bolt hole of joining panel.</p>	<p>3</p>  <p>3. Insert Cam Lock. arrow facing bolt.</p>	<p>4</p>  <p>4. Gently turn Cam Lock clockwise to lock position. 180°</p>
--	---	---	---	--



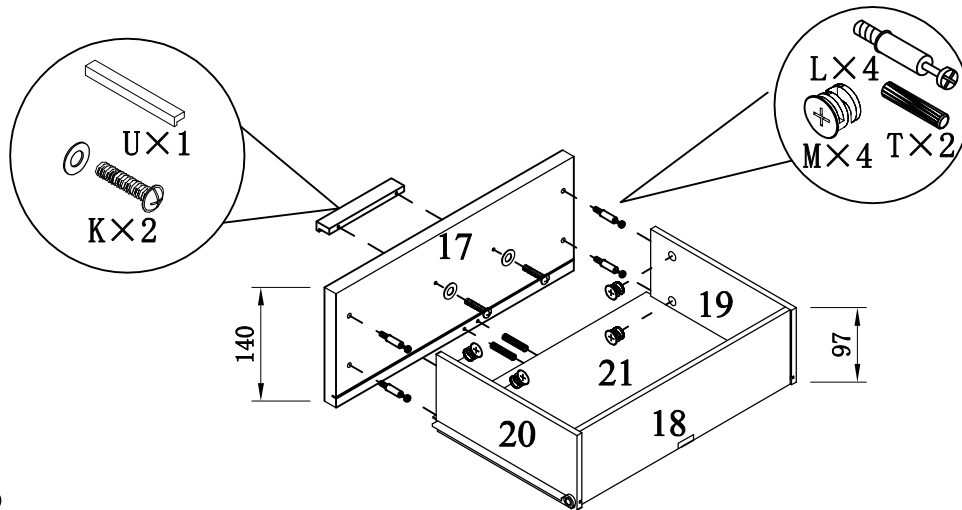
STEP 1

STEP 2



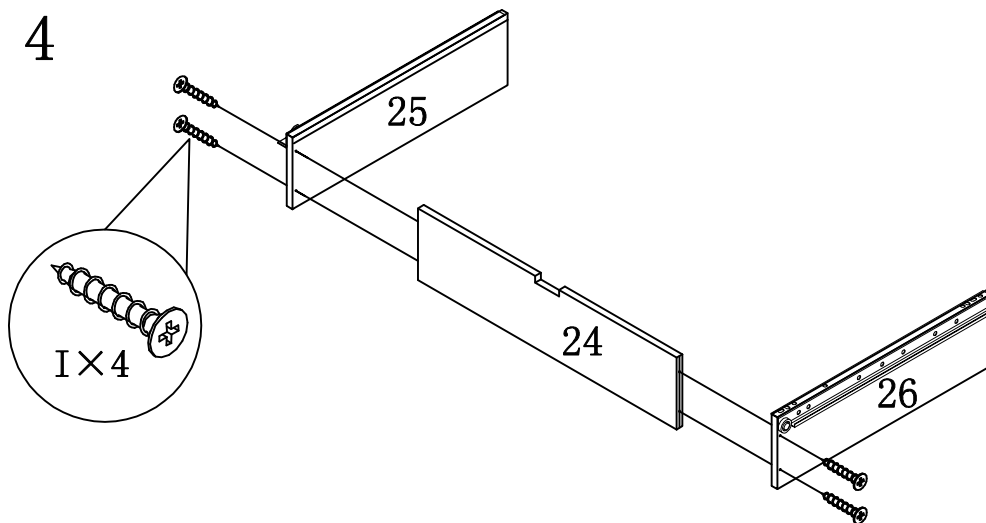
ASSEMBLY INSTRUCTION

ITEM#: 14901 151210

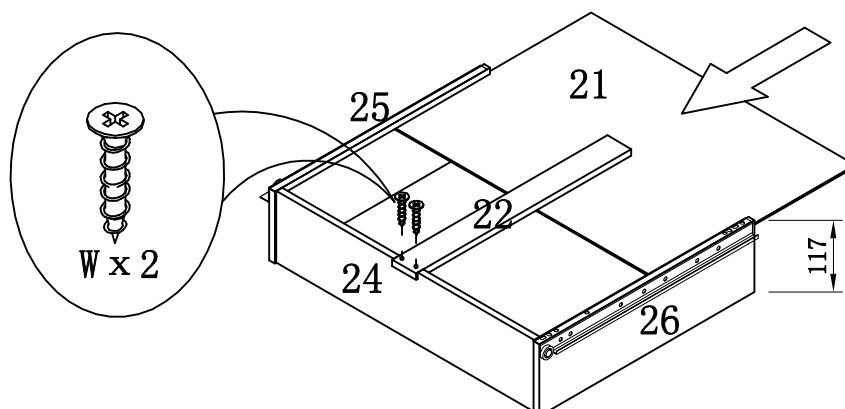


STEP 3

STEP 4

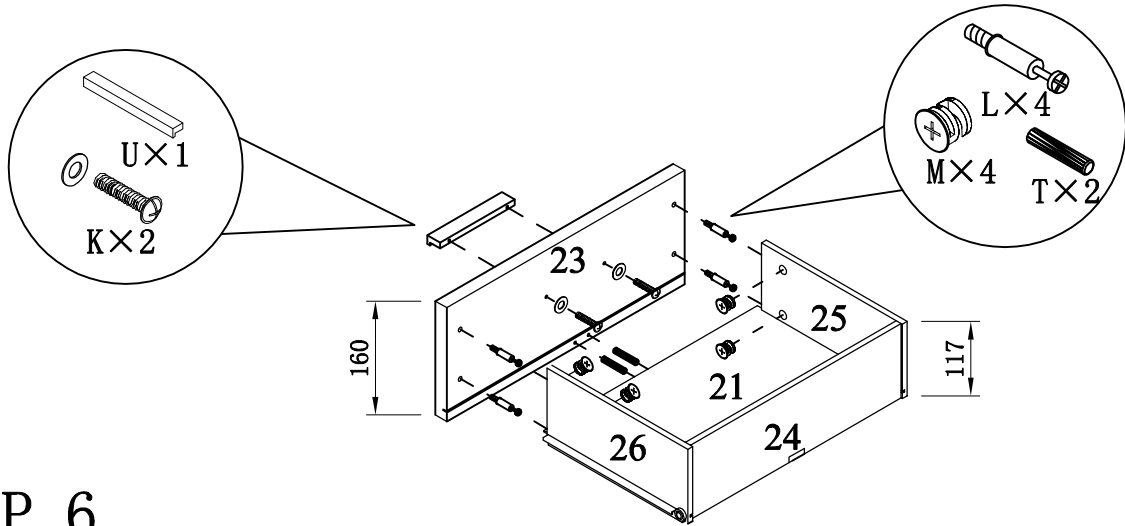


STEP 5



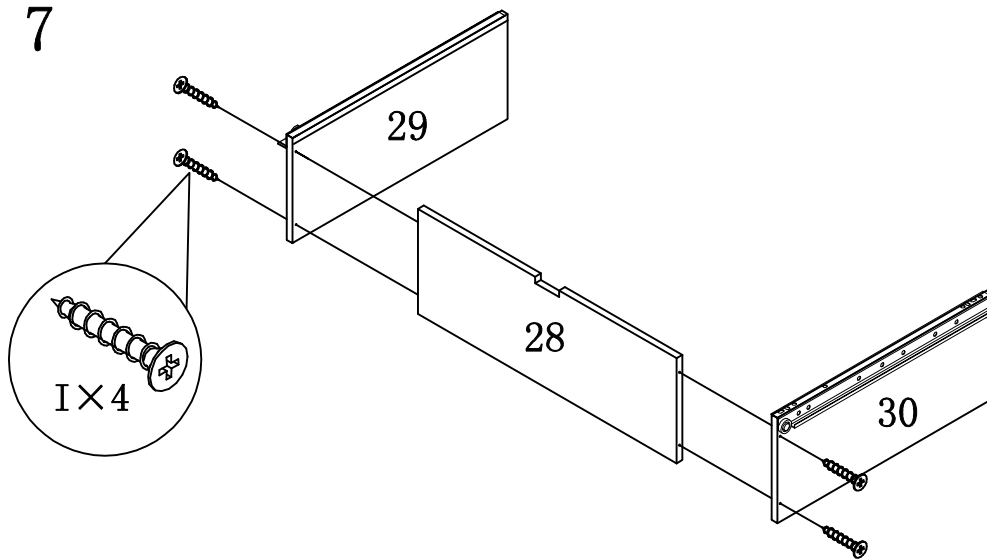
ASSEMBLY INSTRUCTION

ITEM#: 14901 151210

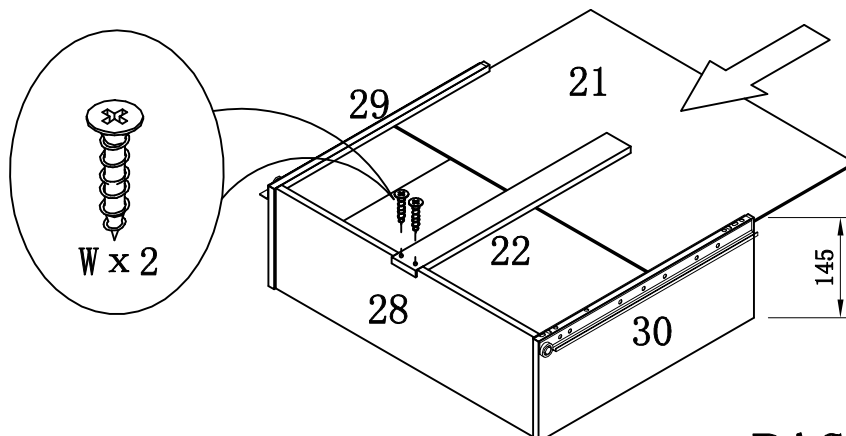


STEP 6

STEP 7

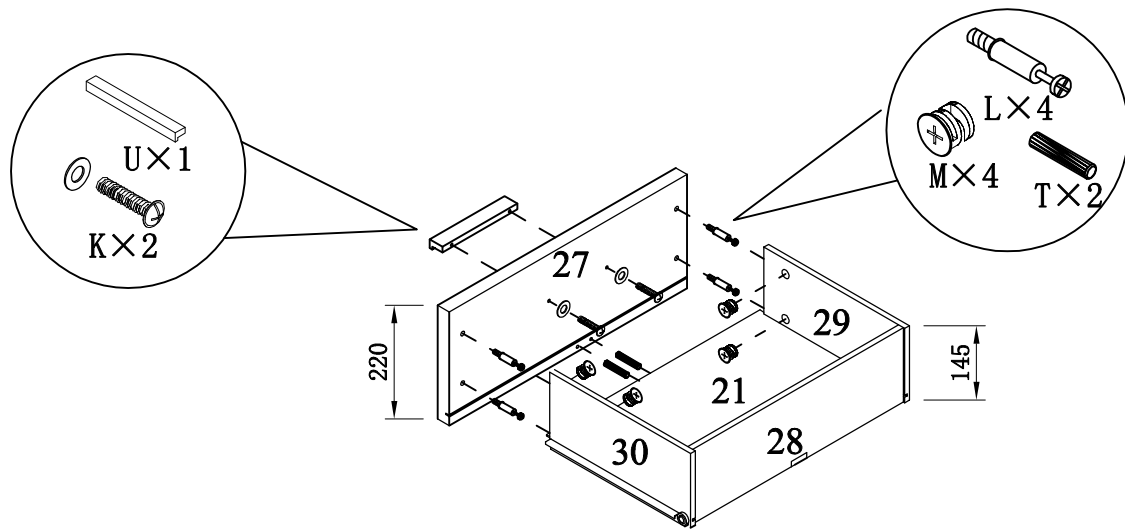


STEP 8



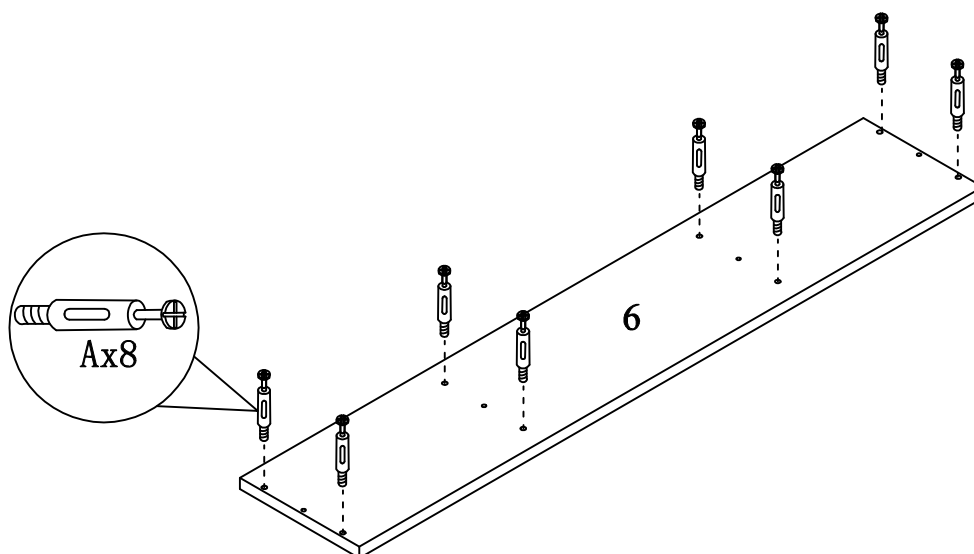
ASSEMBLY INSTRUCTION

ITEM#:14901 151210



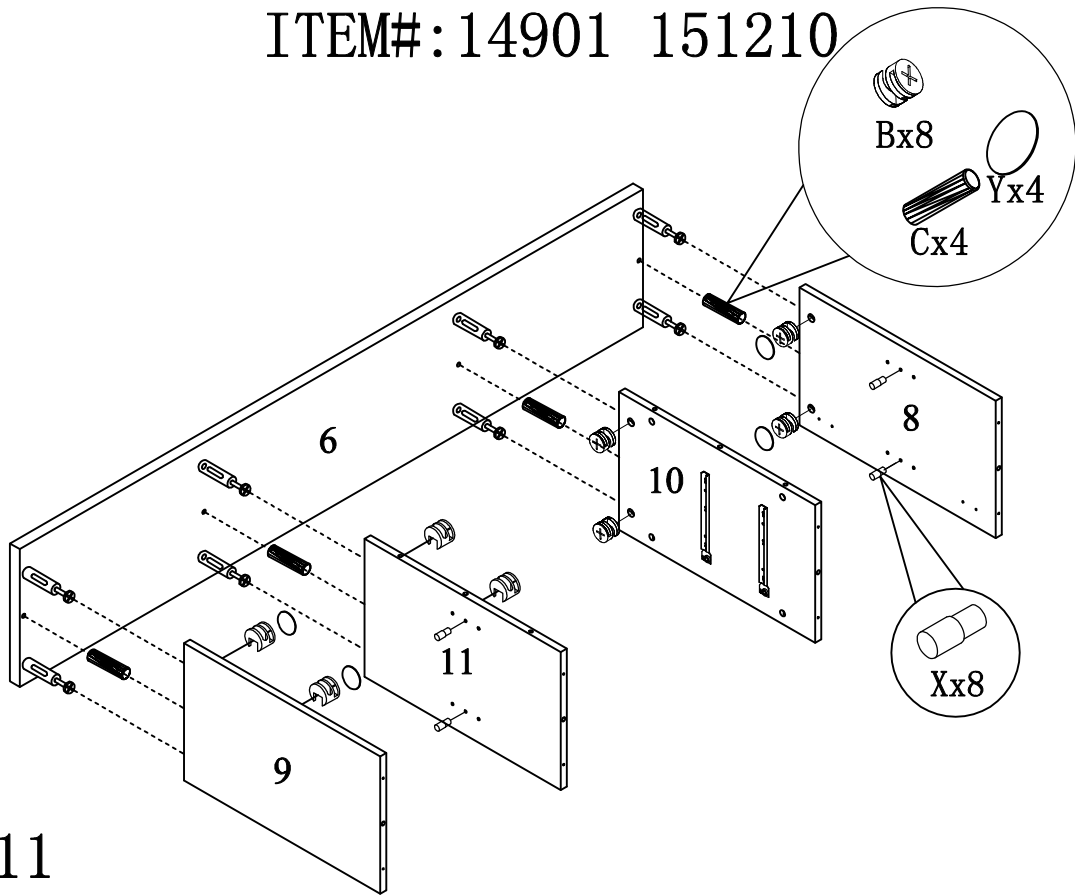
STEP 9

STEP 10



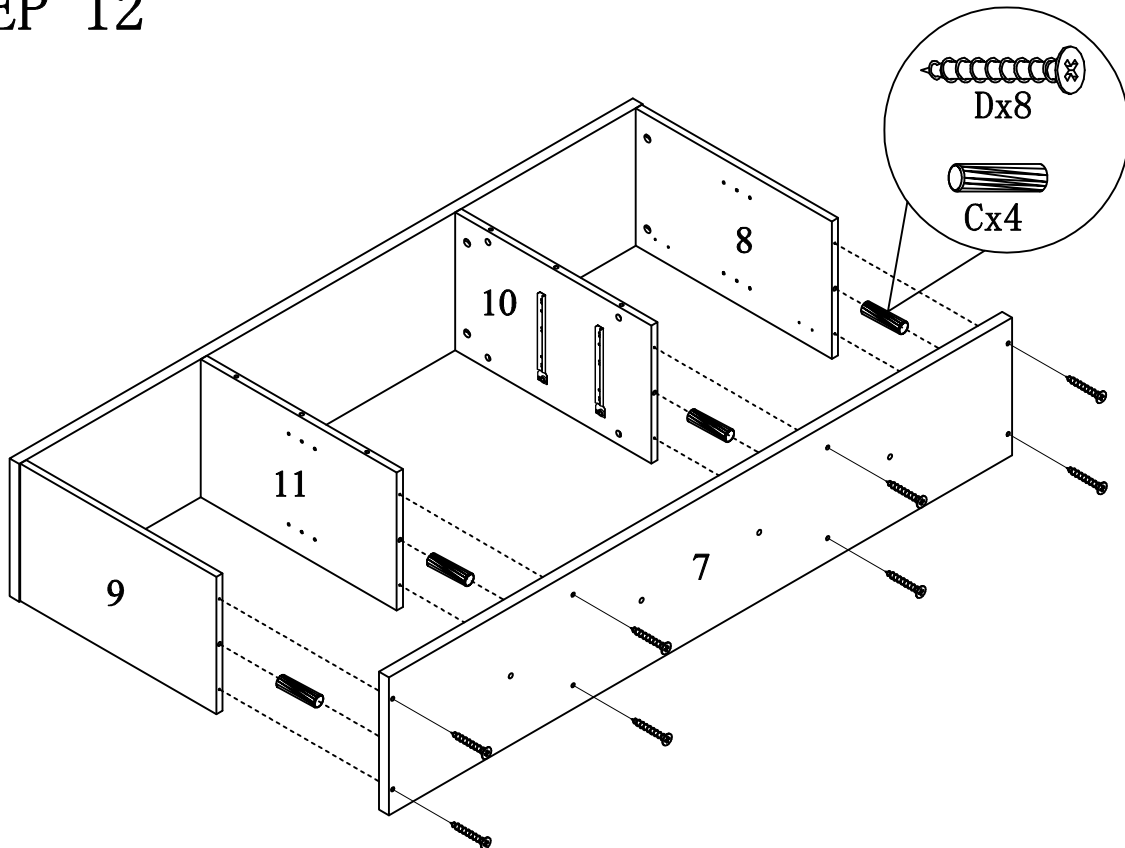
ASSEMBLY INSTRUCTION

ITEM#: 14901 151210



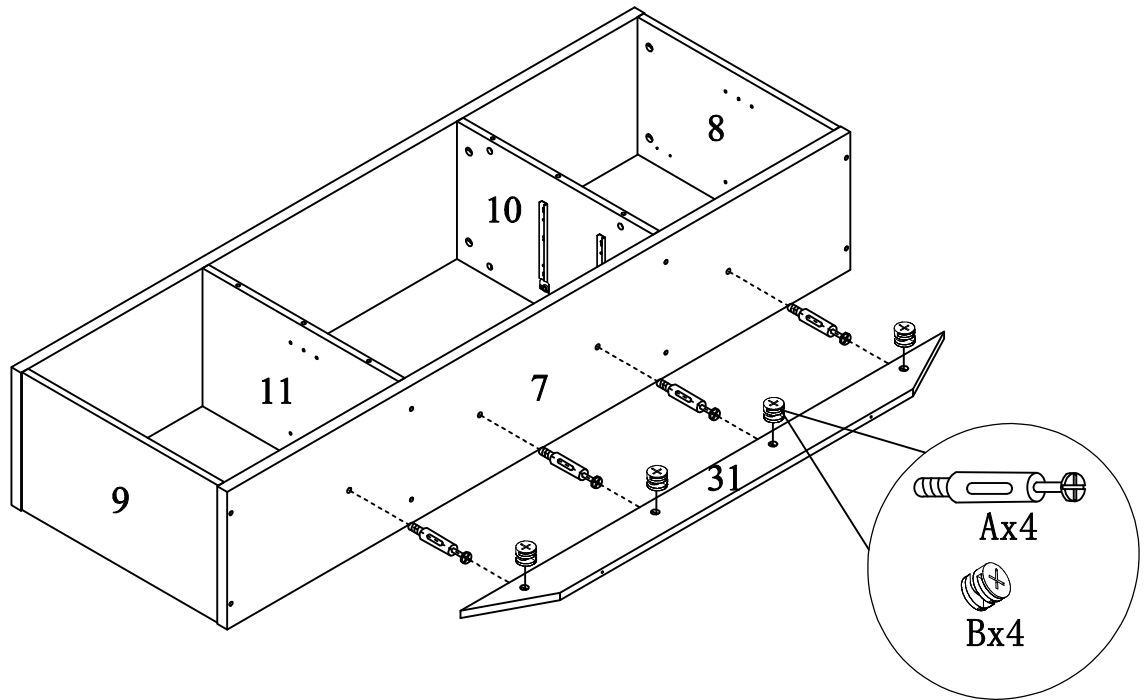
STEP 11

STEP 12



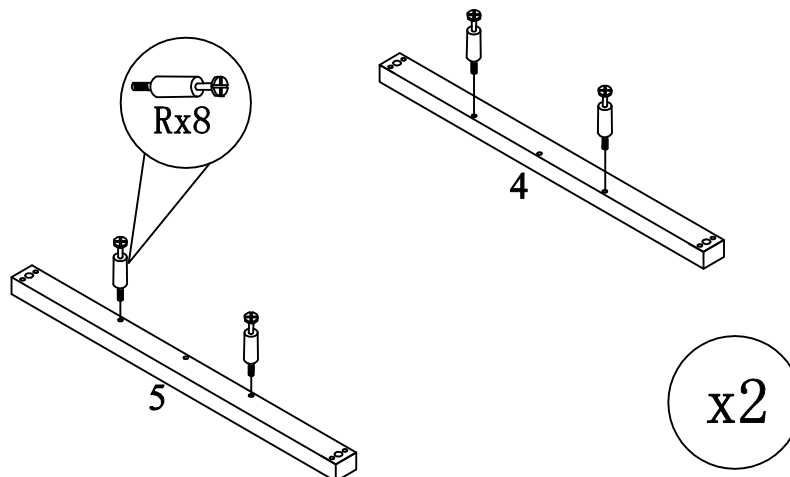
ASSEMBLY INSTRUCTION

ITEM#: 14901 151210



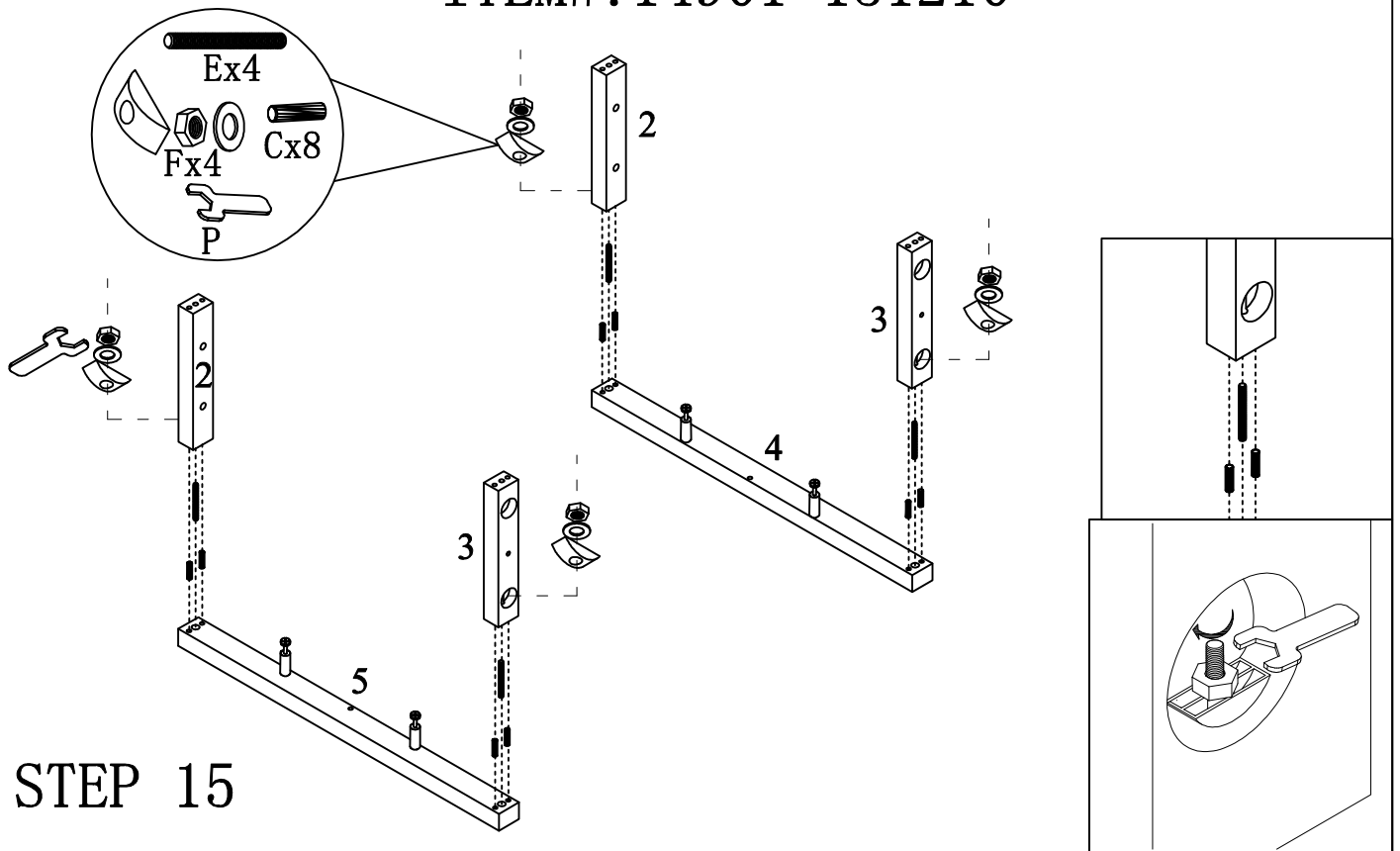
STEP 13

STEP 14

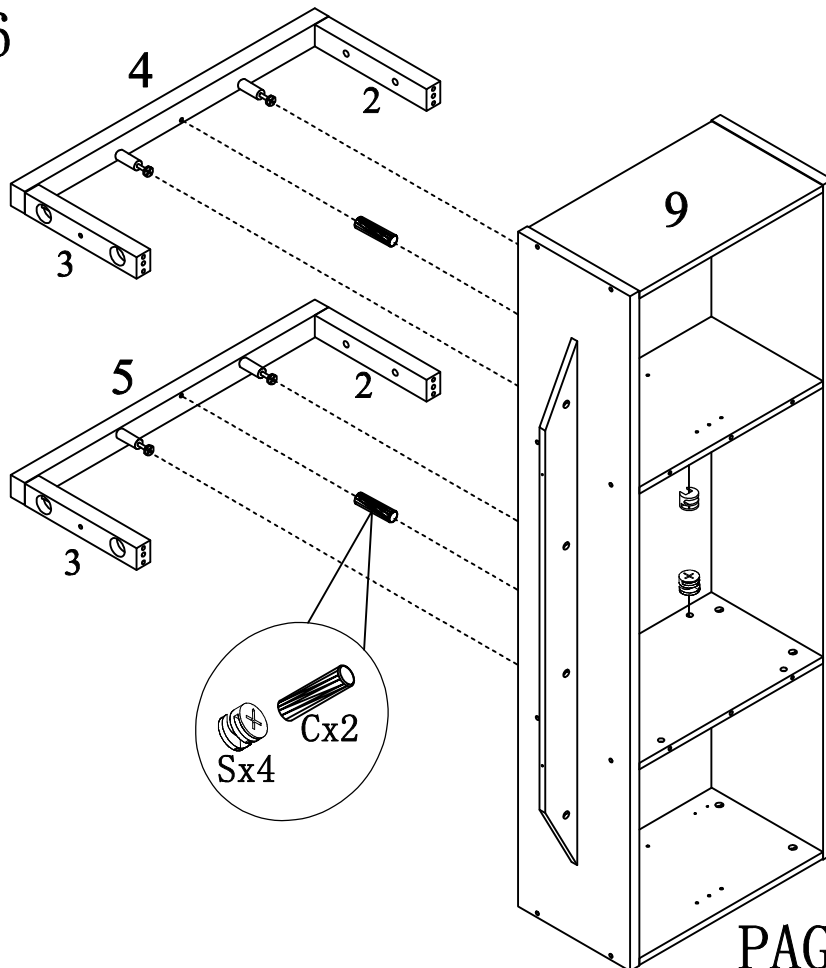


ASSEMBLY INSTRUCTION

ITEM#: 14901 151210

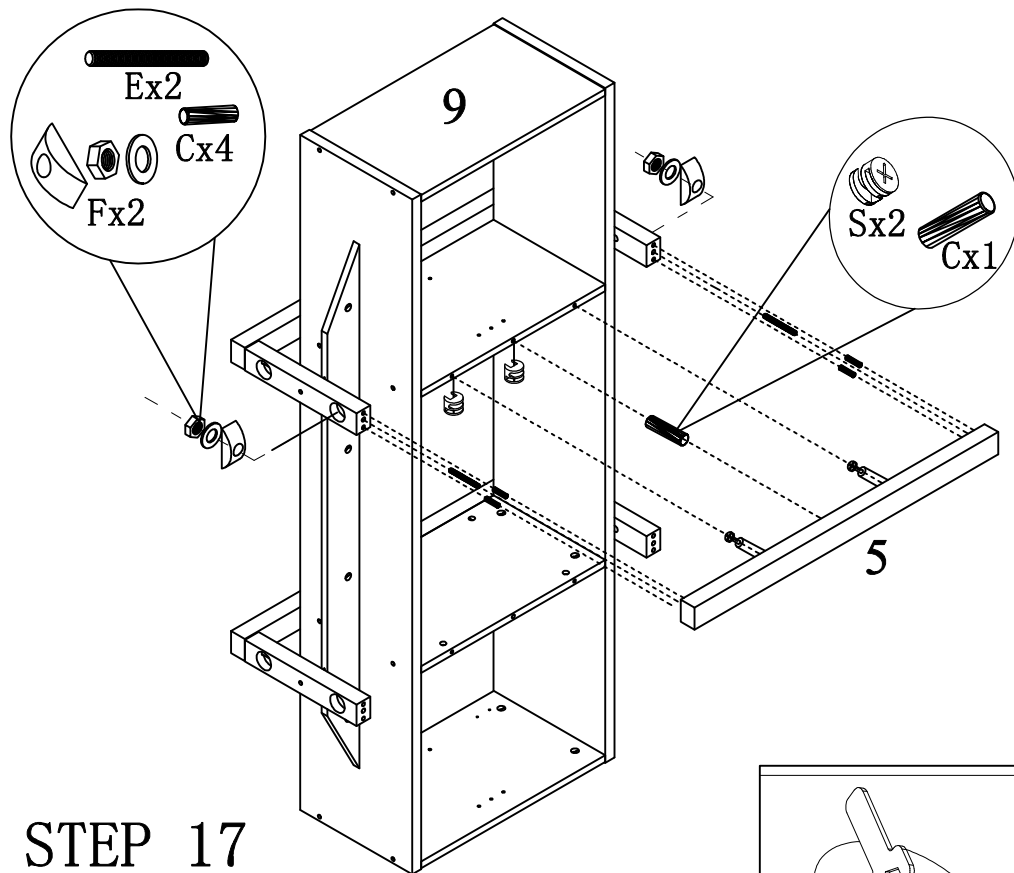


STEP 16

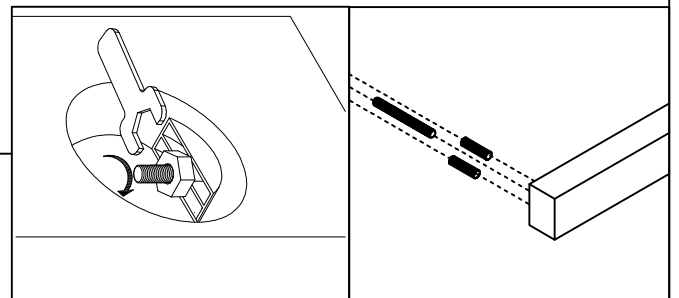


ASSEMBLY INSTRUCTION

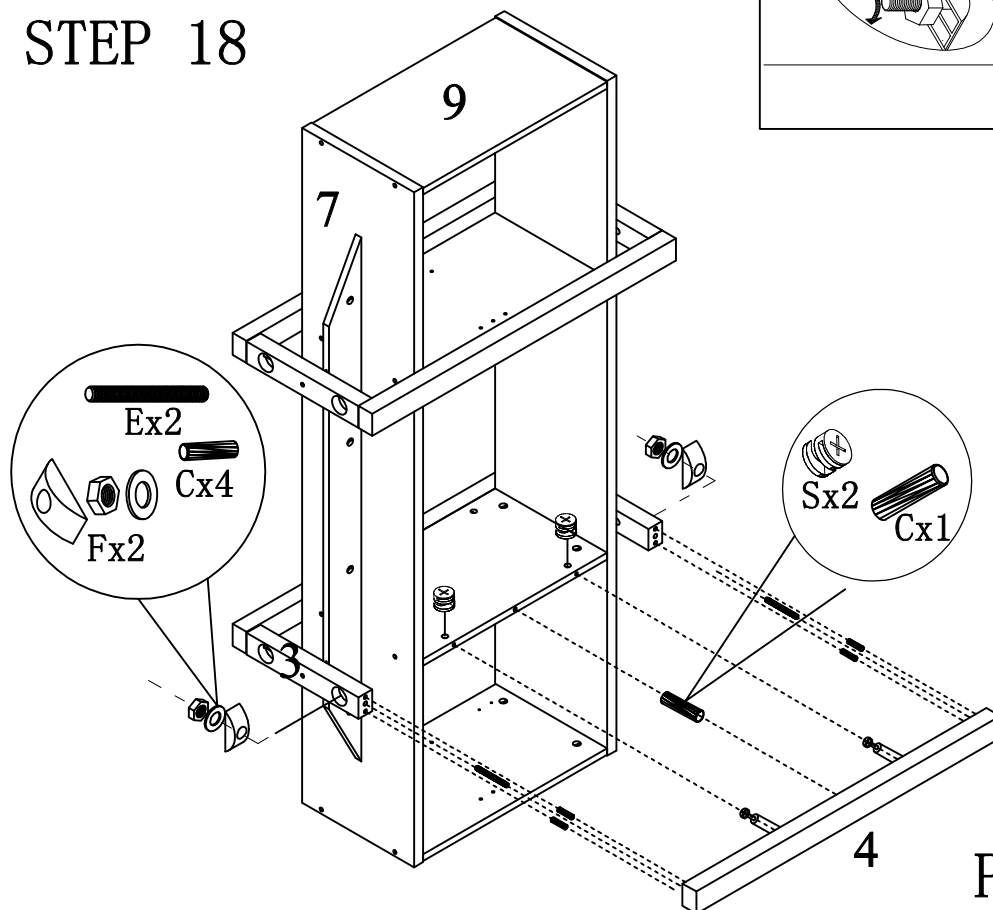
ITEM#: 14901 151210



STEP 17

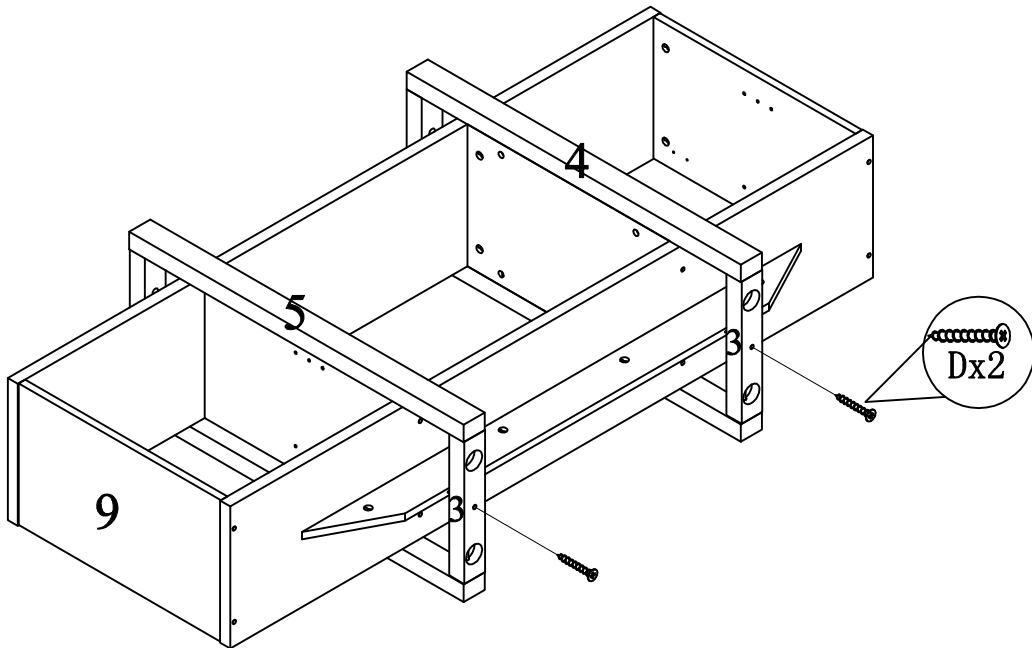


STEP 18



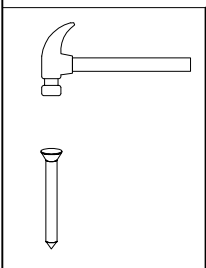
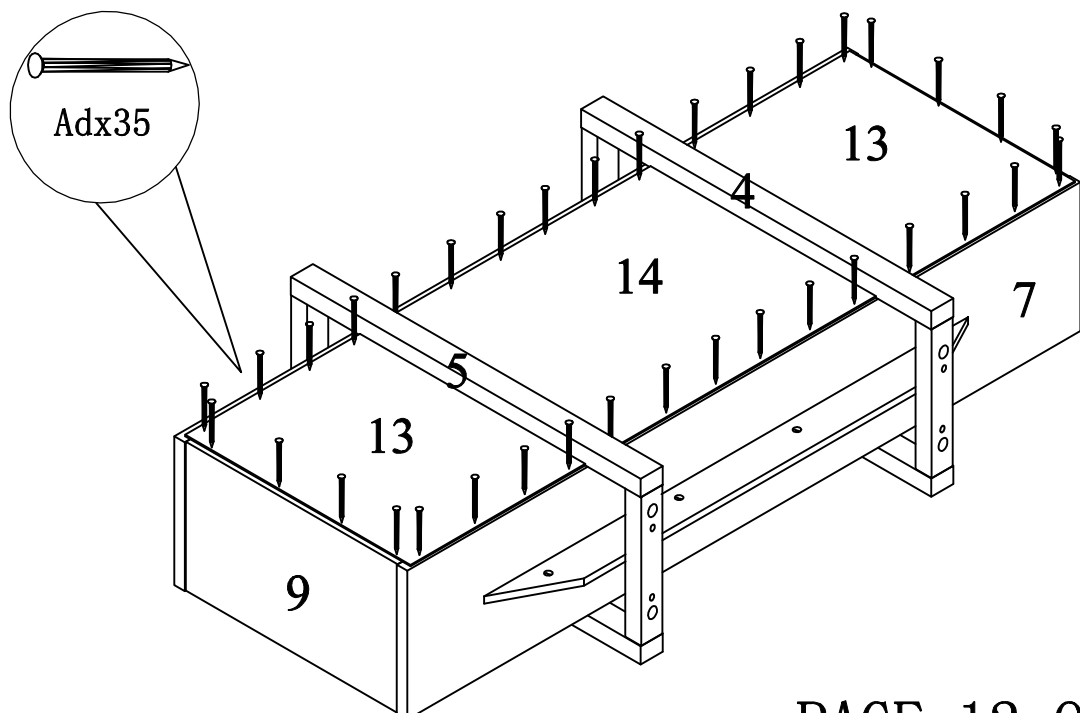
ASSEMBLY INSTRUCTION

ITEM#: 14901 151210



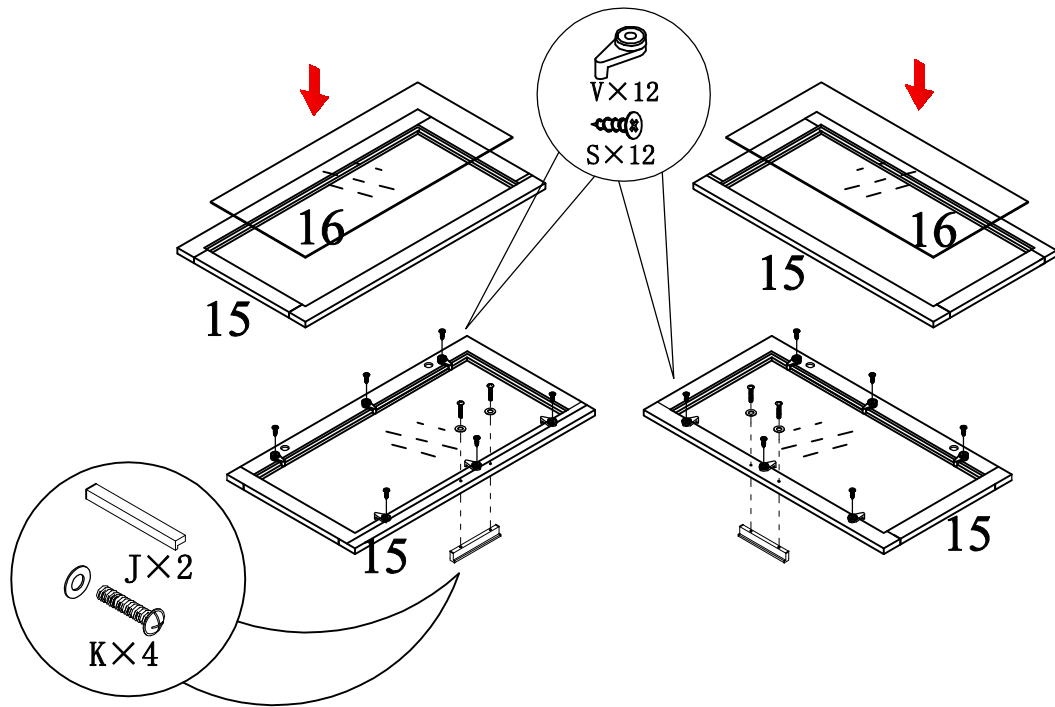
STEP 19

STEP 20



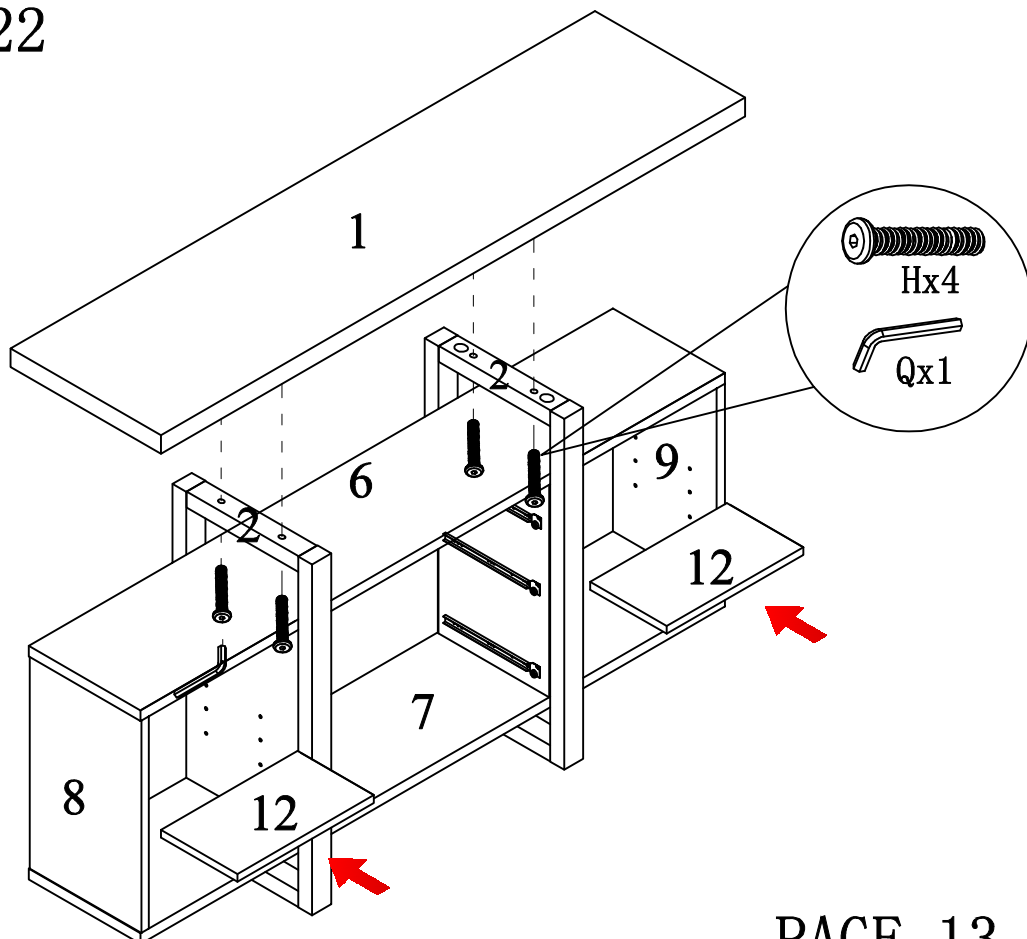
ASSEMBLY INSTRUCTION

ITEM#: 14901 151210



STEP 21

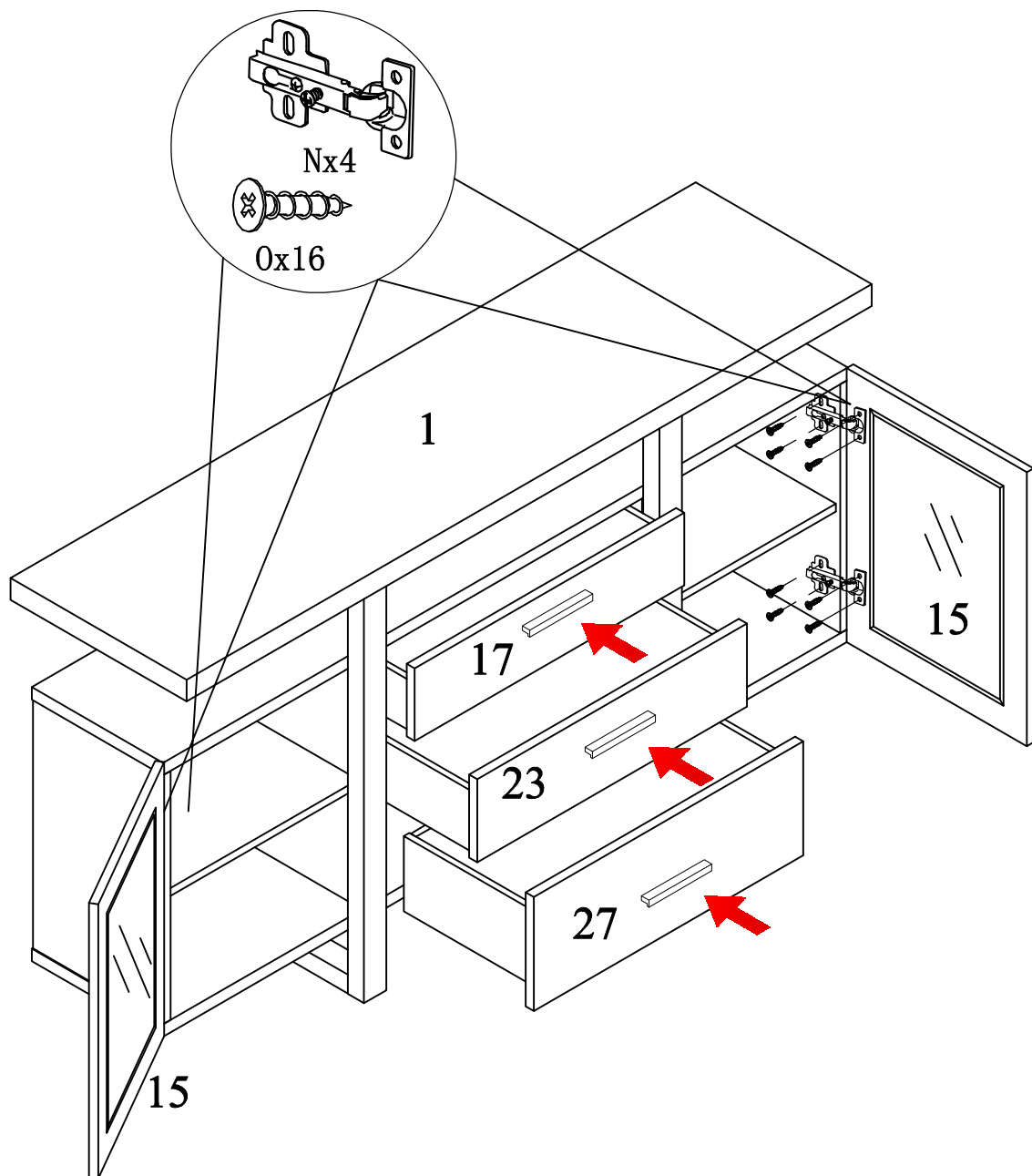
STEP 22



ASSEMBLY INSTRUCTION

ITEM#: 14901 151210

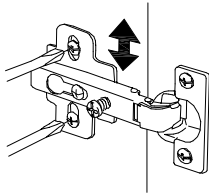
STEP 23



HOW TO ADJUST HINGES

Gradually adjust the screws and close the door to review adjustment each time.

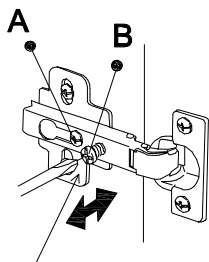
Fig.1



If door is too high or too low:

Loosen top and bottom screws, as shown in Fig .1, for all hinges on this door panel. Take care to support door. Adjust door up or down as necessary, hold in place, and tighten screws again.

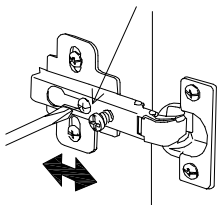
Fig.2



If doors have a gap in the middle or are hitting each other:

Loosen screw A and B, as shown in Fig.2, for all hinges on this door panel. Take care to support door. Adjust door to the left or right as necessary, hold in place and tighten screw A, then B. If the door is not hanging straight, adjust the top and bottom hinges separately by tightening/loosening screw B, to correct the alignment of that corner. Turn screw B clockwise to move door toward frame. Turn screw B counterclockwise to move door away from frame.

Fig.3

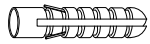


If door is too close or far from frame:

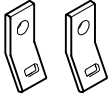
Loosen screw, as shown in Fig.3, for all hinges on this door panel. Take care to support door. Adjust door towards or away from frame as necessary, hold in place and tighten screws again.

ANTI-TIPPING STRAP INSTRUCTION

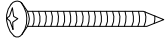
HARDWARE (INCLUDED) :



DRYWALL ANCHOR $\phi 8 \times 40$ X 1PC



METAL BRACKETS $12 \times 12 \times 1$ X 2PCS



DRYWALL SCREW $\phi 5 \times 40$ X 1PC

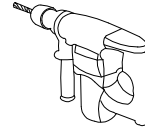


STRAP $197 \times 5 \times 1$ X 1PC



FLATHEAD SCREW $\phi 4 \times 25$ X 1PC

TOOLS NEEDED (NOT INCLUDED) :



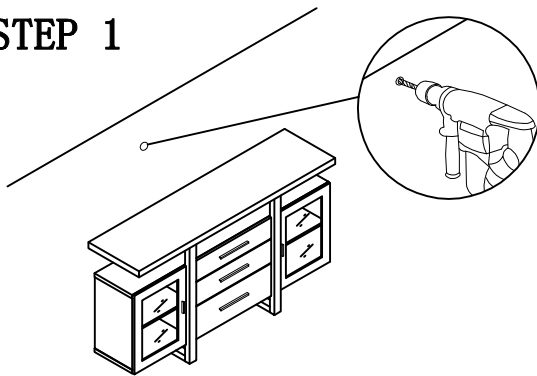
DRILL & DRILL BIT



LIGHT HAMMER

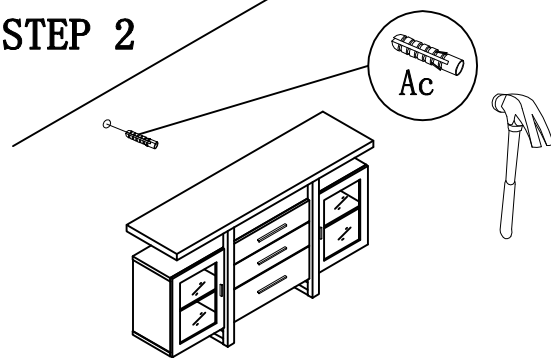
Note: Hardware included only compatible with standard drywalls.

STEP 1



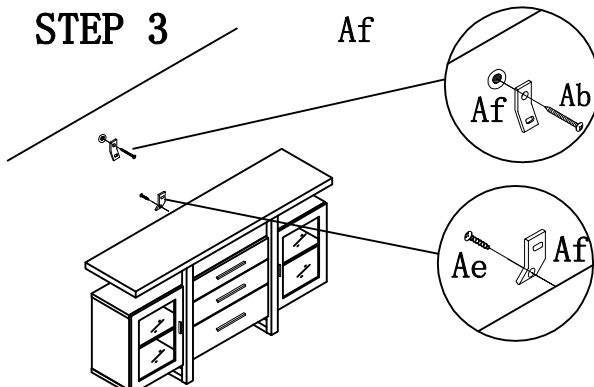
1. Find spot on wall 1" below top of item.
2. Using a drill bit slightly thinner than anchor, drill hole into drywall.

STEP 2



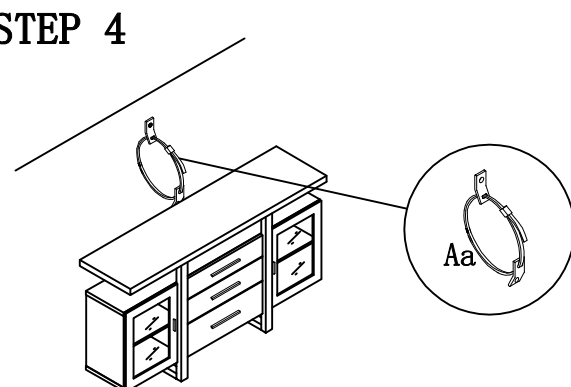
1. Use a light hammer to tap anchor into hole.
2. Anchor should fit snugly. If hole is too small, drill again to increase hole size. Do not force anchor into wall.

STEP 3



1. Insert drywall screw into metal bracket and into drywall anchor.
2. Insert flathead screw into second metal bracket and into back of item along top edge.

STEP 4



1. Insert strap thru bracket attached to wall, then thru bracket on item, and into head of strap.
 2. pull lightly til strap stops.
- Assembly is complete.