

# ASSEMBLY INSTRUCTION

---

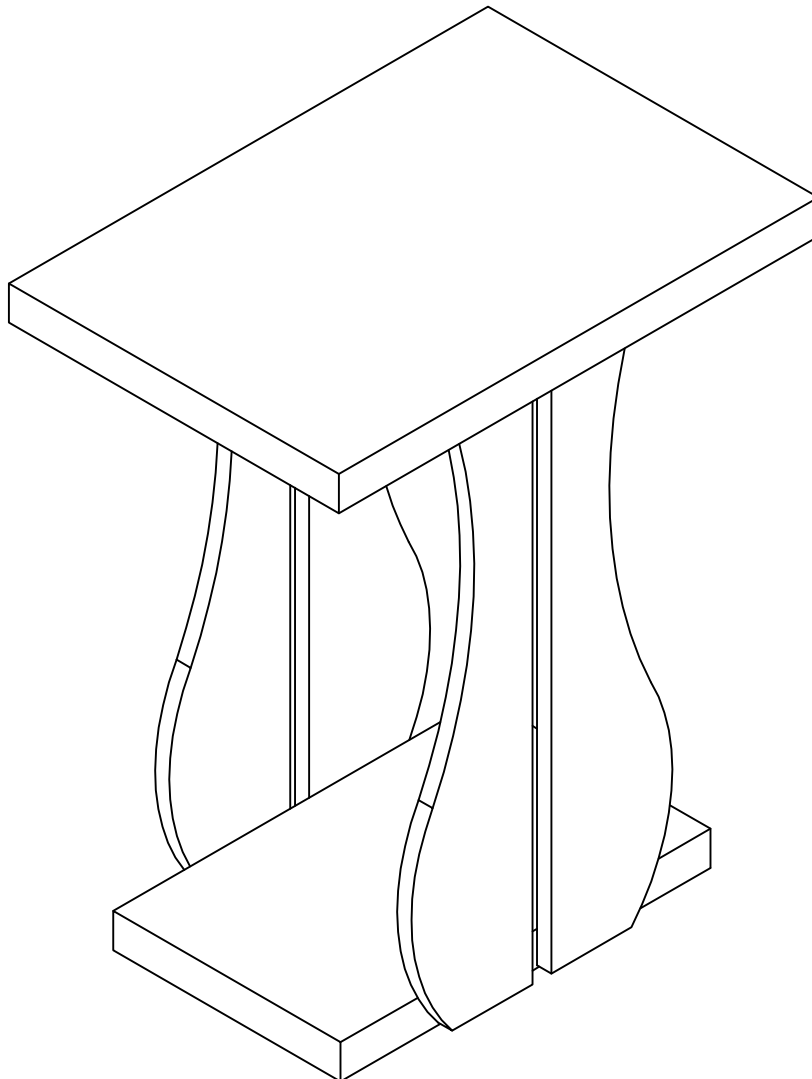
## PLEASE READ BEFORE ASSEMBLING!

Tip #1: Make sure you've taken all the pieces and hardware out of its packaging before discarding the box.

Tip #2: Using page 2 and/or page 3 of instruction manual make sure all pieces and hardware are accounted for.

Tip #3: Read manual before assembling, it helps!

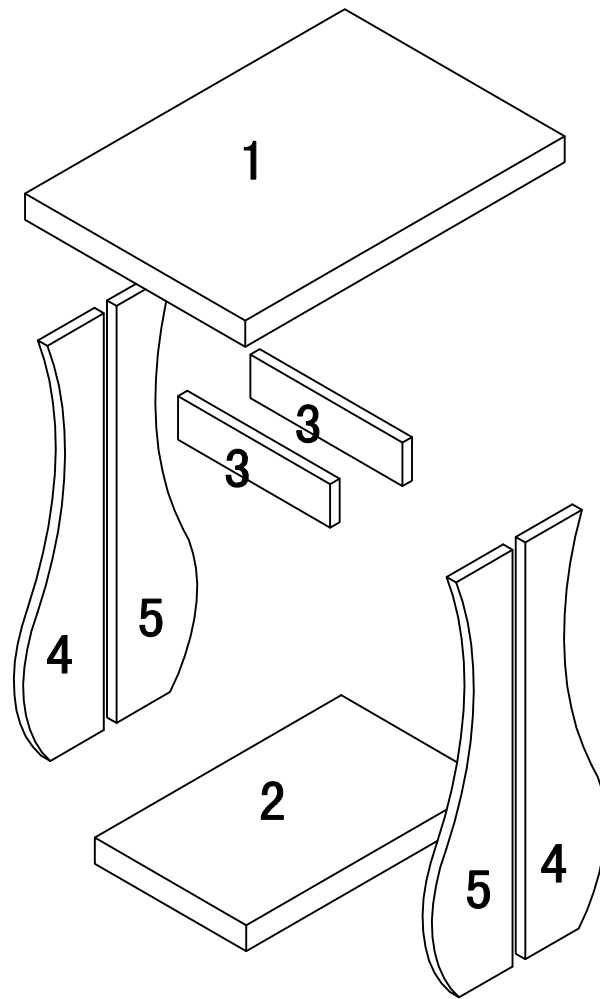
ITEM#      14925      14926



# PARTS IDENTIFICATION

---

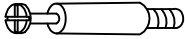

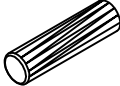





ITEM#: 14925



(1)	1pc
(2)	1pc
(3)	2pcs
(4)	2pcs
(5)	2pcs

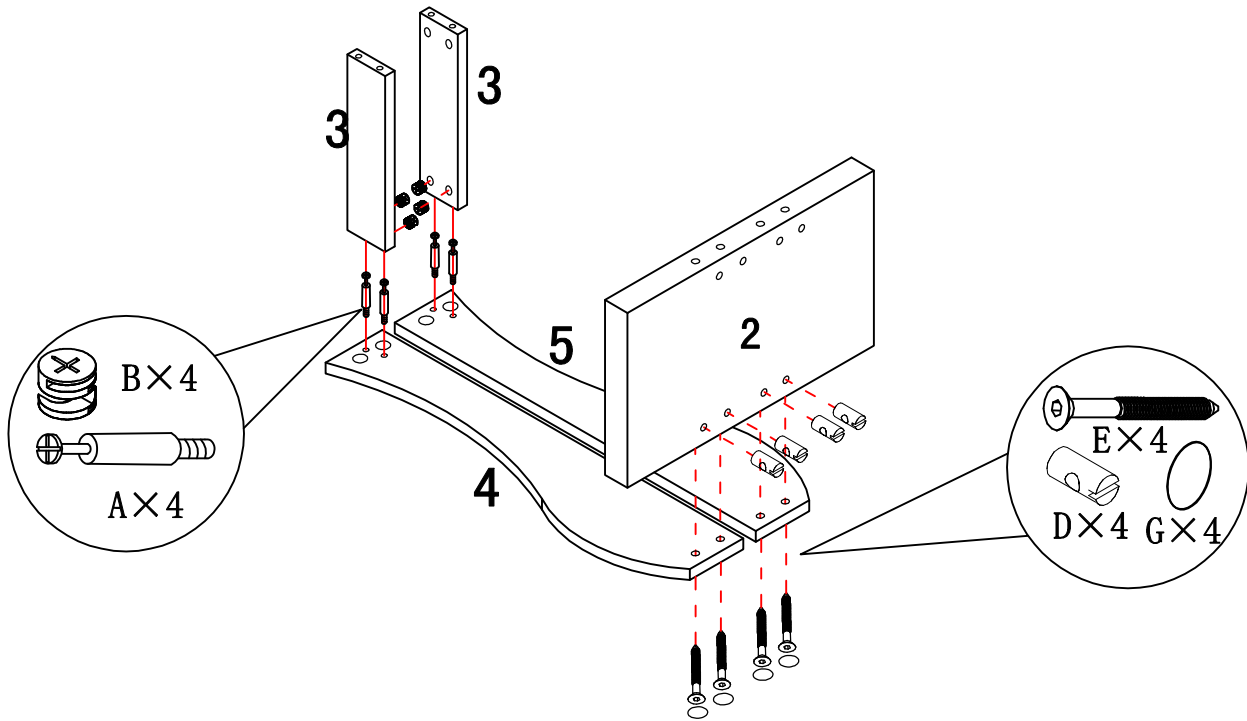
# HARDWARE IDENTIFICATION

ITEM#: 14925

A		L29	16pcs
B		Φ15	16pcs
C		Φ8x25	2pcs
D		M10x15	8pcs
E		ø6×55	8pcs
F		M4	1pc
G		Φ20	12pcs
H		Glue: For securing please apply to wood dowel first before inserting into panel	1pc

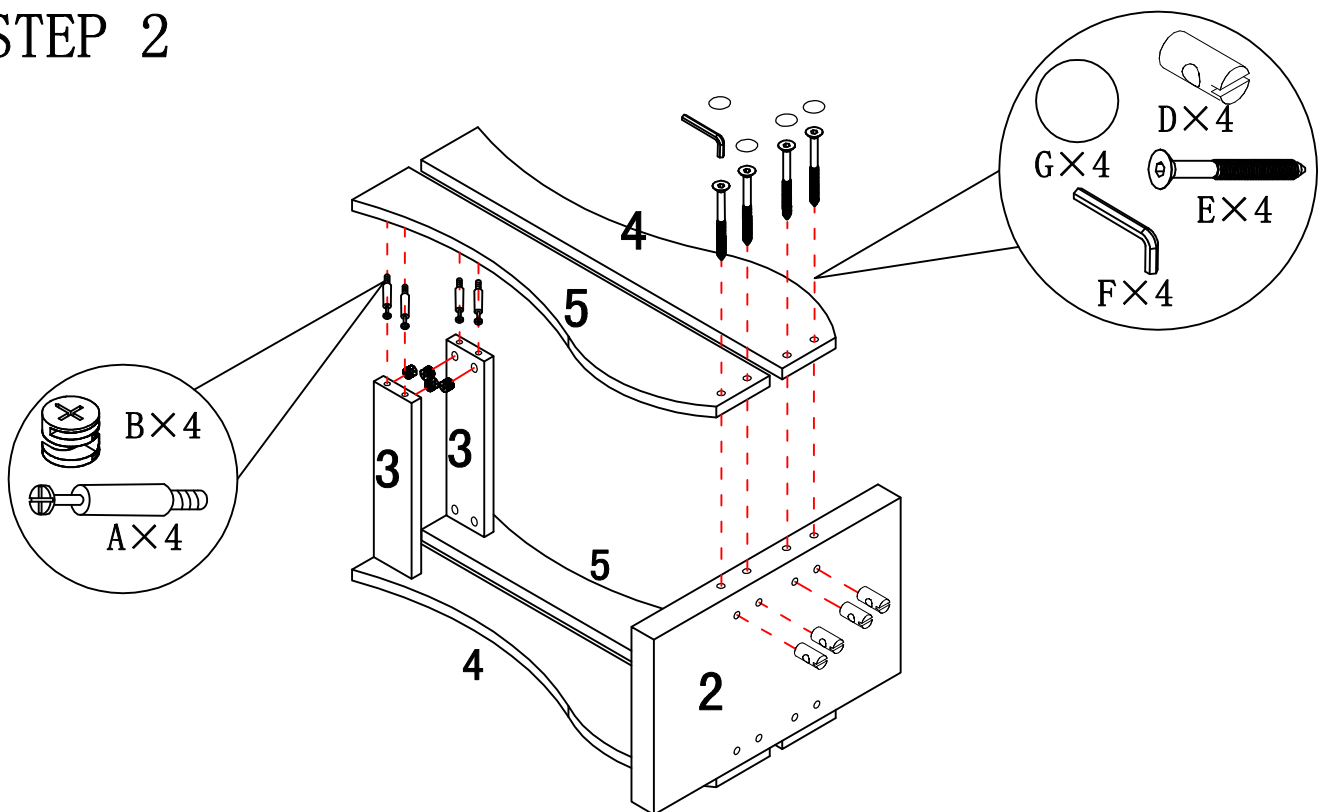
# HARDWARE IDENTIFICATION

ITEM#: 14925



STEP 1

STEP 2



# ASSEMBLY INSTRUCTION

ITEM#: 14925

