

# ASSEMBLY INSTRUCTION

---

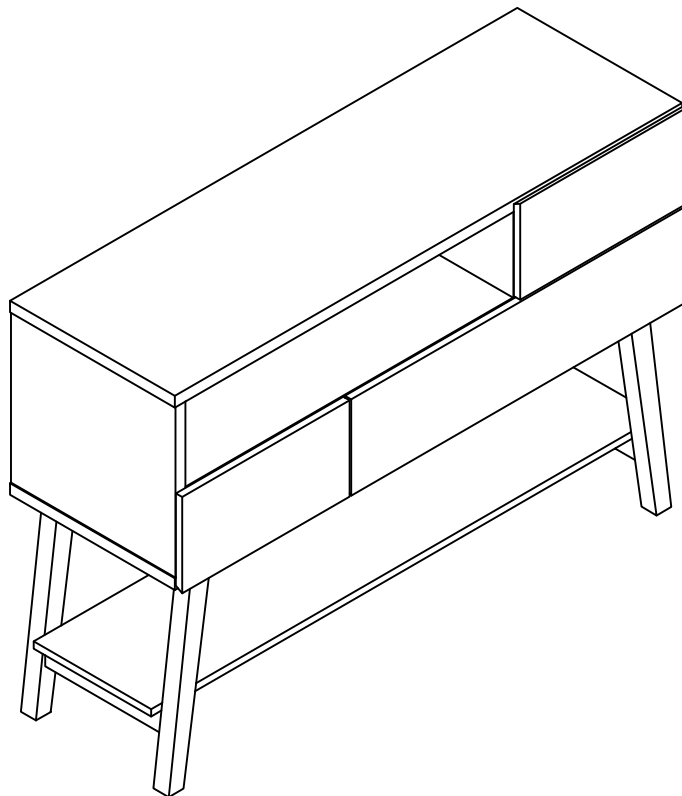
## **PLEASE READ BEFORE ASSEMBLING!**

Tip #1: Make sure you've taken all the pieces and hardware out of its packaging before discarding the box.

Tip #2: Using page 2 and/or page 3 of instruction manual make sure all pieces and hardware are accounted for.

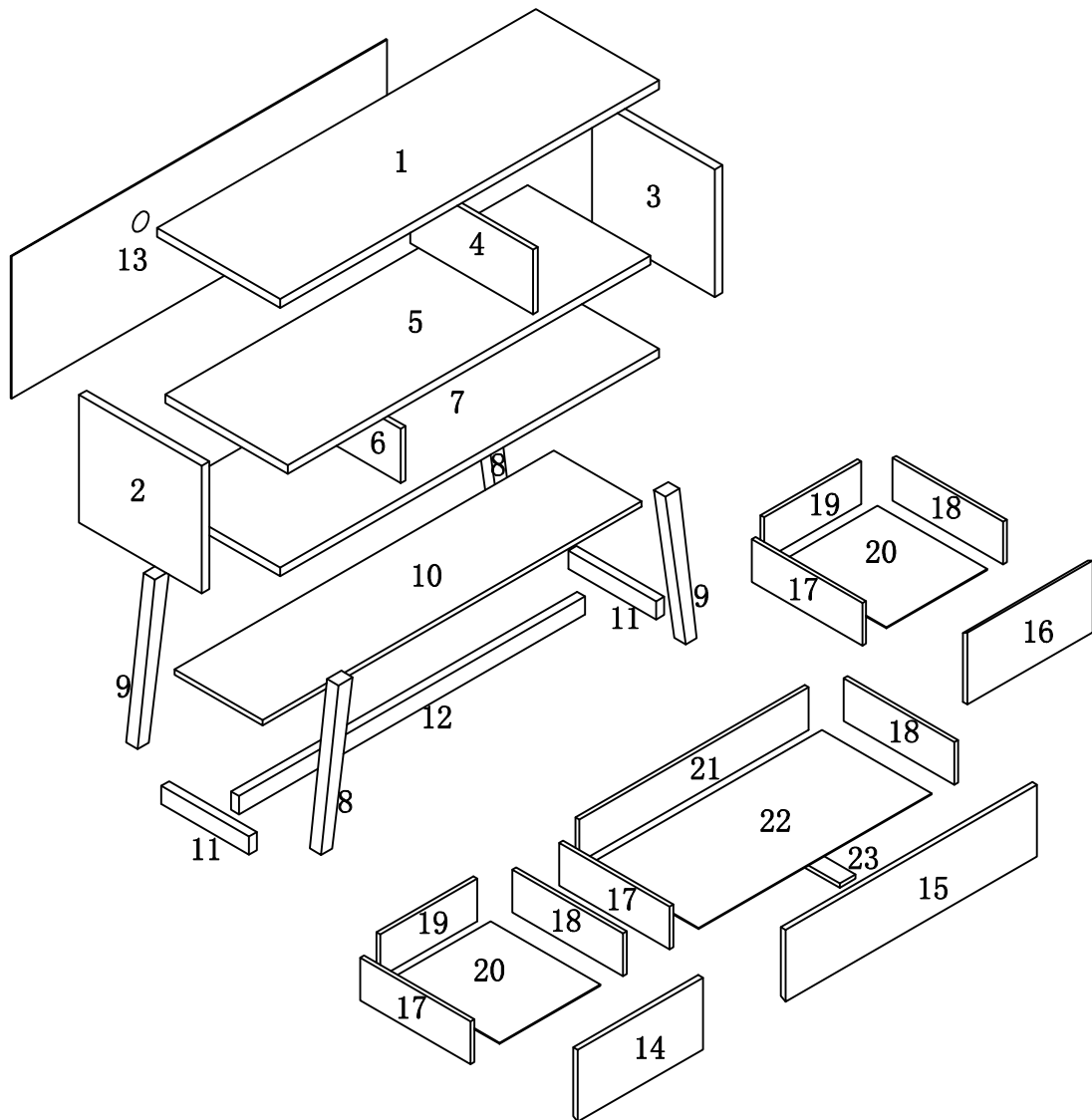
Tip #3: Read manual before assembling, it helps!

ITEM#: 151062



# PARTS IDENTIFICATION

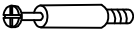



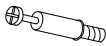

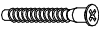






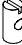








ITEM#: 151062



(1)	1pc	(9)	2pcs	(17)	3pcs
(2)	1pc	(10)	1pc	(18)	3pcs
(3)	1pc	(11)	2pcs	(19)	2pcs
(4)	1pc	(12)	1pc	(20)	2pcs
(5)	1pc	(13)	1pc	(21)	1pc
(6)	1pc	(14)	1pc	(22)	1pc
(7)	1pc	(15)	1pc	(23)	1pc
(8)	2pcs	(16)	1pc		

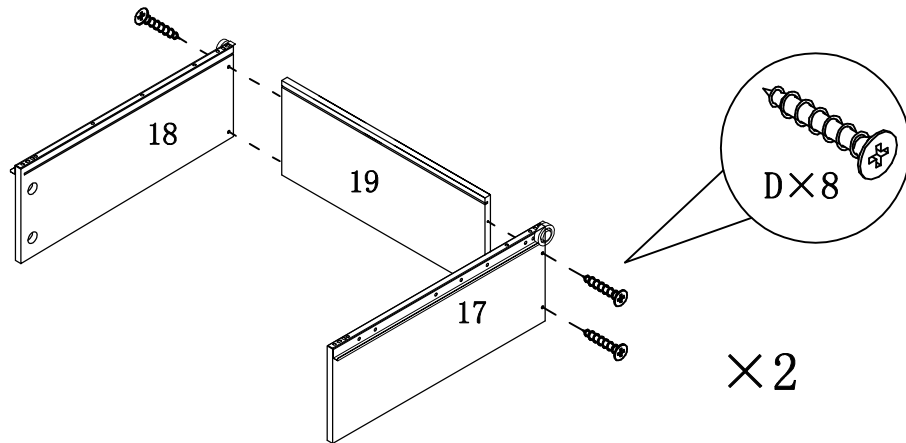
# HARDWARE IDENTIFICATION

ITEM#: 151062

A		L29	21pcs
B		□15	21pcs
C		□8×25	16pcs
D		□4×30	12pcs
E		L20	12pcs
F		□12	12pcs
G		□7×48	4pcs
H		□4×25	2pcs
I		□6×30	2pcs
J		□4×45	4pcs
K		□20	2pcs
L		□45	4pcs
M		□6×65	4pcs
N		□10.5	4pcs
O		M4	1pc
P		□8×70	4pcs
Q		M8	4pcs
R		M13	1pc
S		□16	4pcs
T			30pcs
U		□13	4pcs
V		Glue: For securing please apply to wood dowel first before inserting into panel	1pc

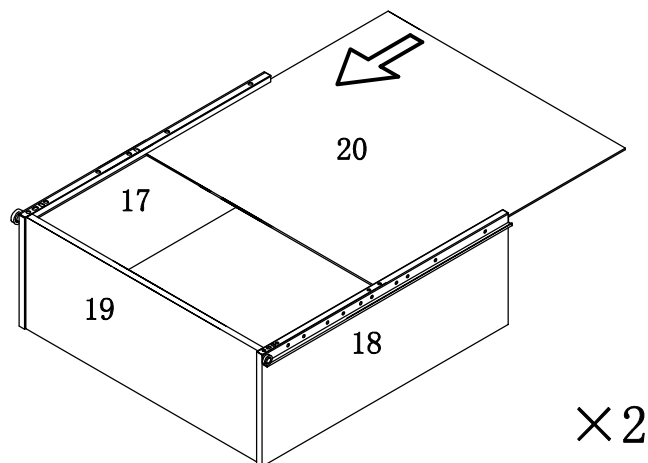
# ASSEMBLY INSTRUCTION

ITEM#: 151062

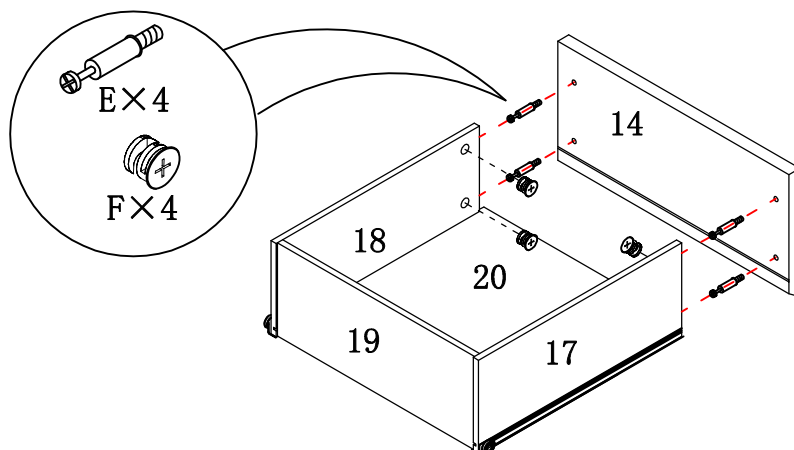


STEP 1

STEP 2

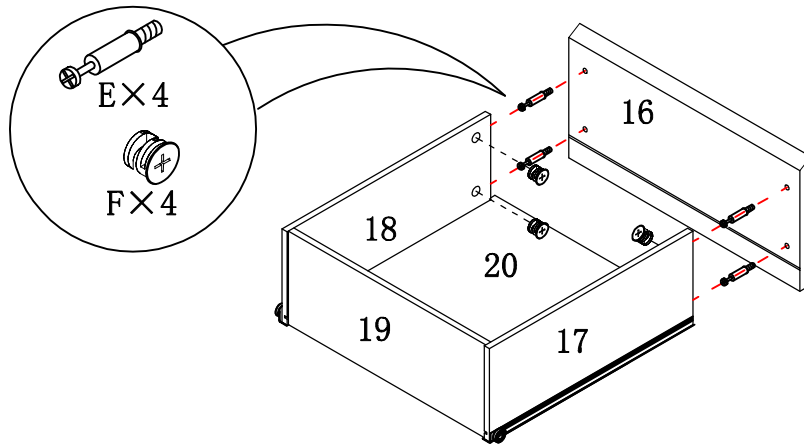


STEP 3



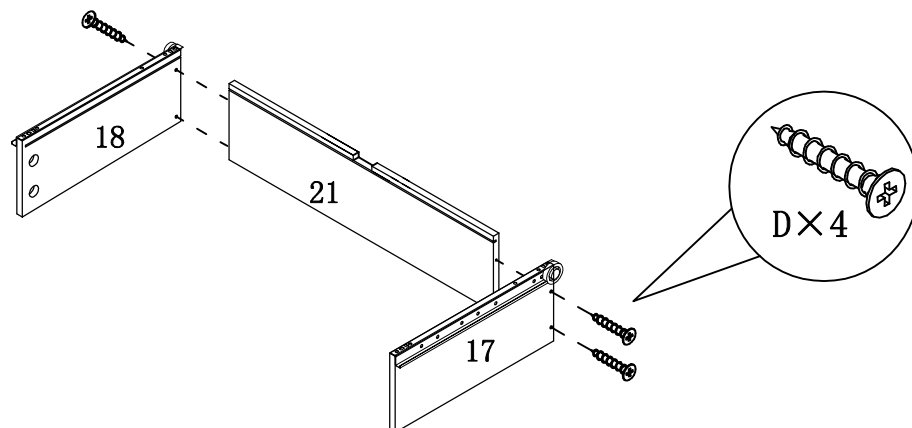
# ASSEMBLY INSTRUCTION

ITEM#: 151062

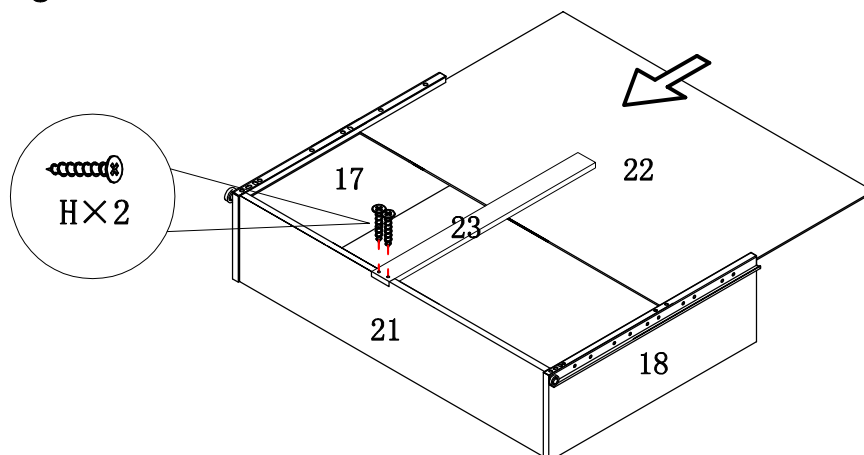


STEP 4

STEP 5

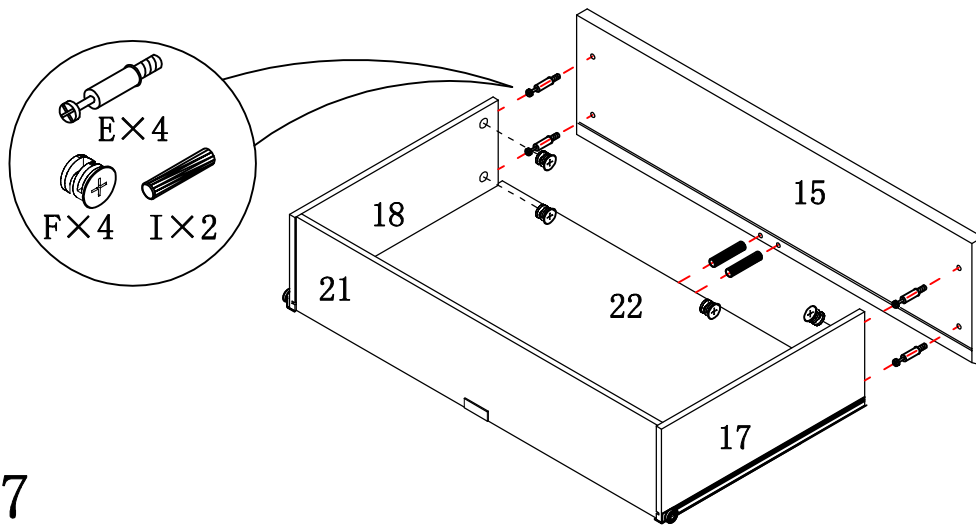


STEP 6



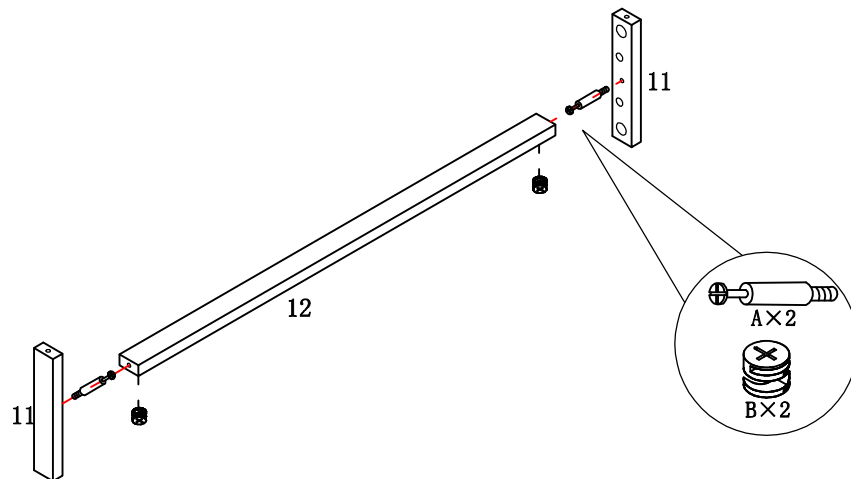
# ASSEMBLY INSTRUCTION

ITEM#: 151062

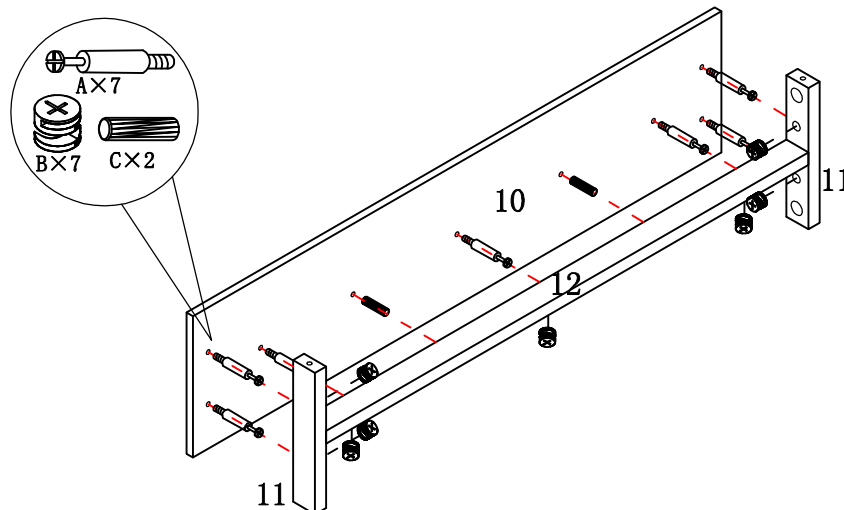


STEP 7

STEP 8

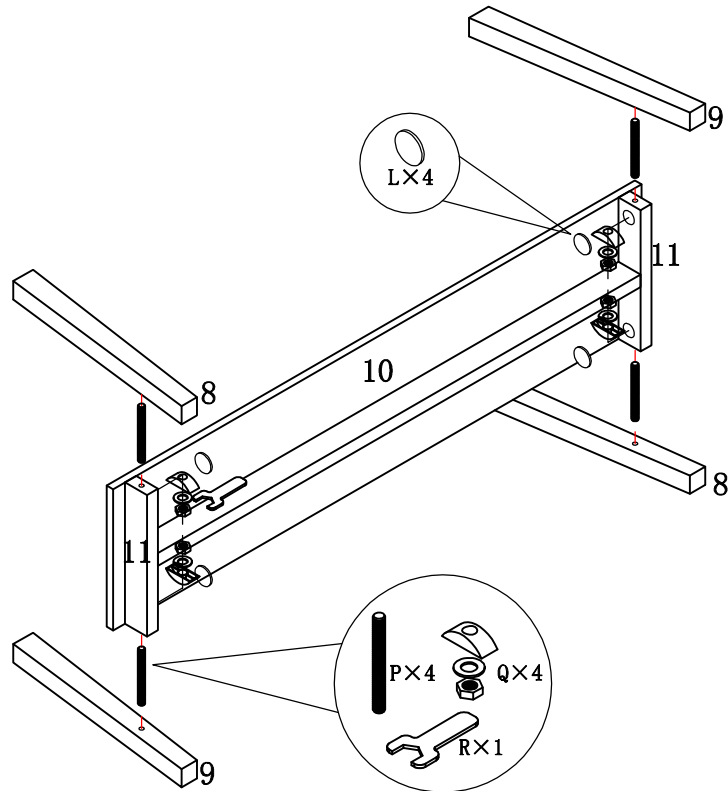


STEP 9



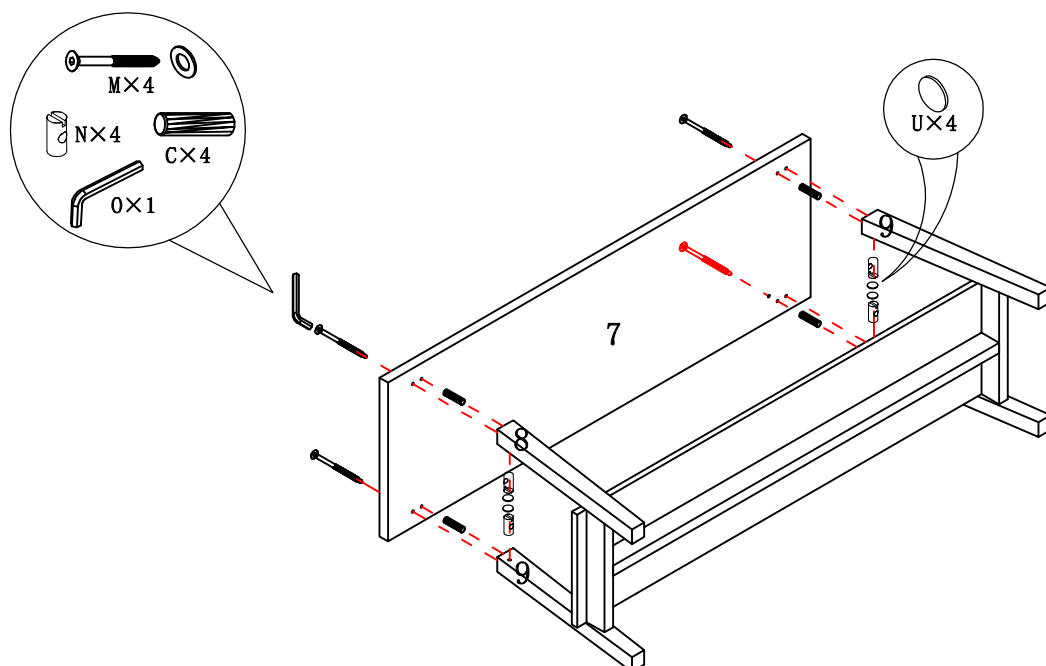
# ASSEMBLY INSTRUCTION

ITEM#: 151062



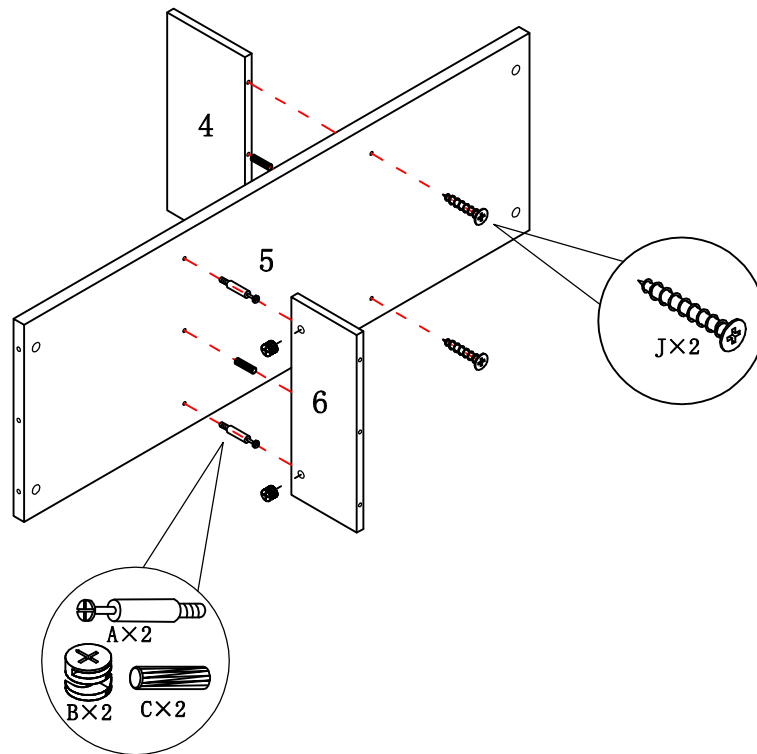
STEP 10

STEP 11



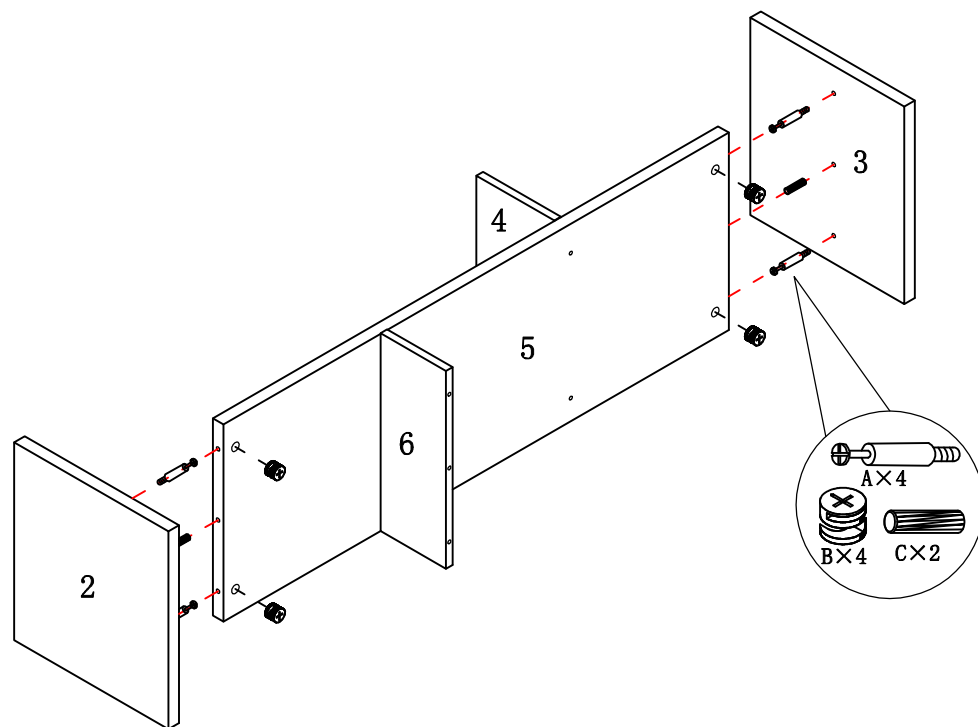
# ASSEMBLY INSTRUCTION

ITEM#: 151062



STEP 12

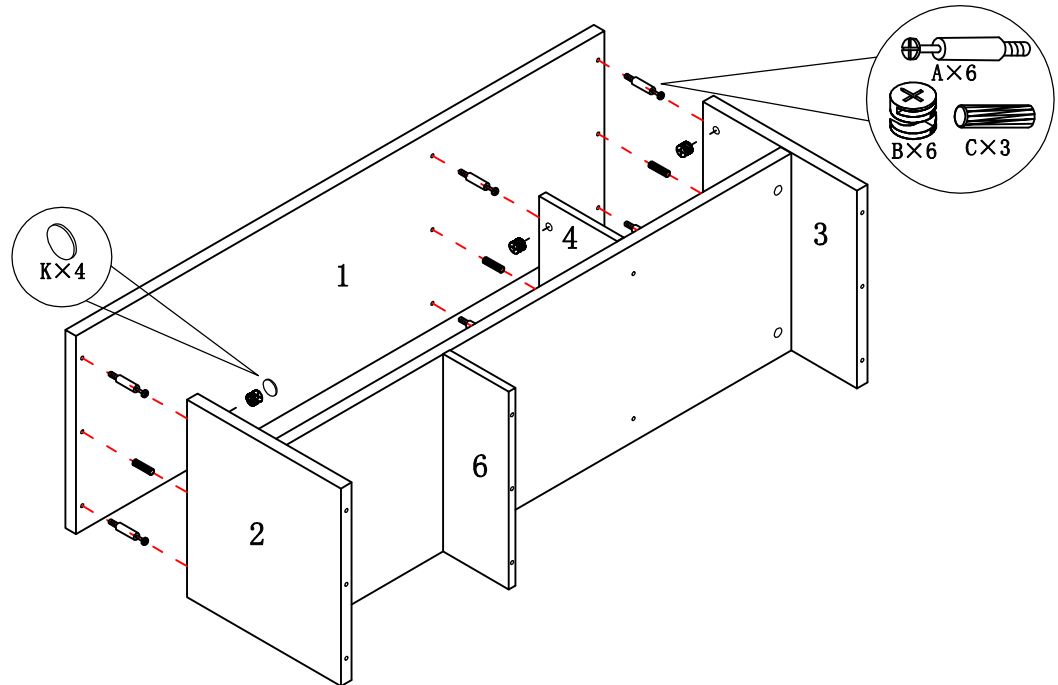
STEP 13





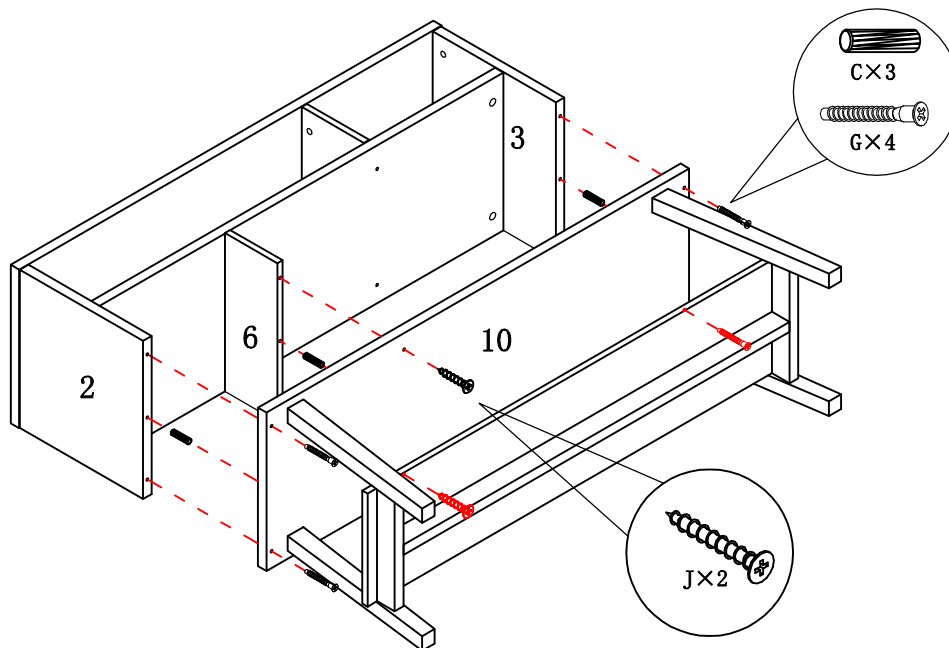
# ASSEMBLY INSTRUCTION

ITEM#: 151062



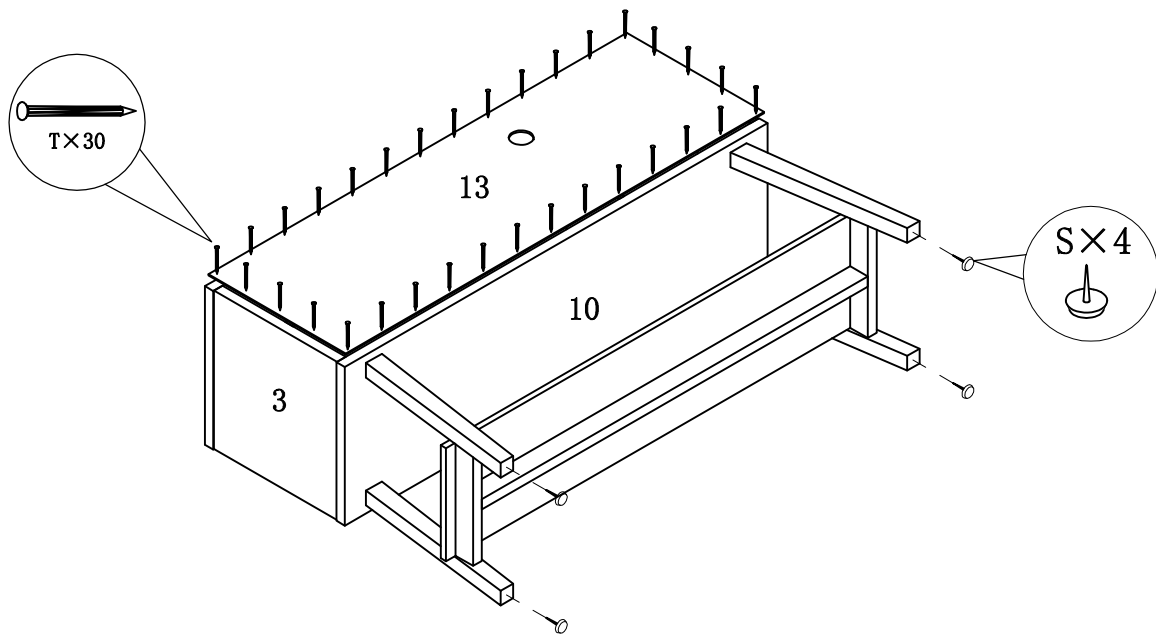
STEP 14

STEP 15



# ASSEMBLY INSTRUCTION

ITEM#: 151062



STEP 16

STEP 17

