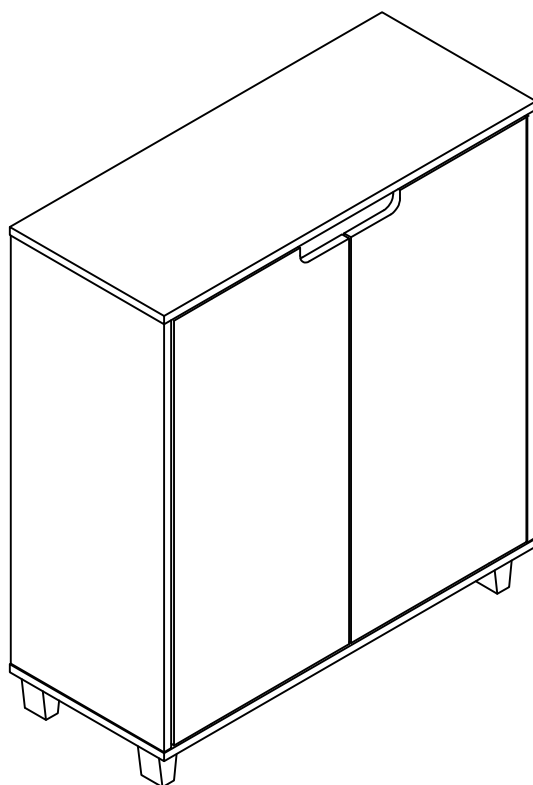


# ASSEMBLY INSTRUCTION

---

ITEM# 151085 161766



# ASSEMBLY INSTRUCTION

---

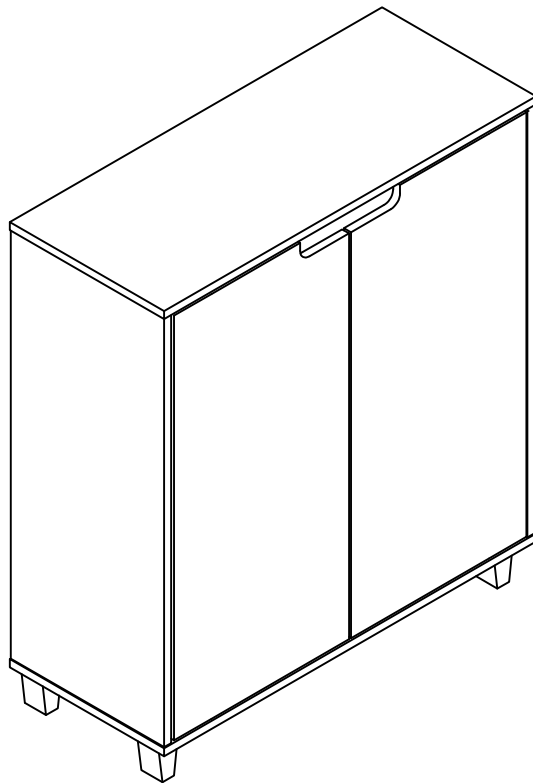
## **PLEASE READ BEFORE ASSEMBLING!**

Tip #1: Make sure you've taken all the pieces and hardware out of its packaging before discarding the box.

Tip #2: Using page 2 and/or page 3 of instruction manual make sure all pieces and hardware are accounted for.

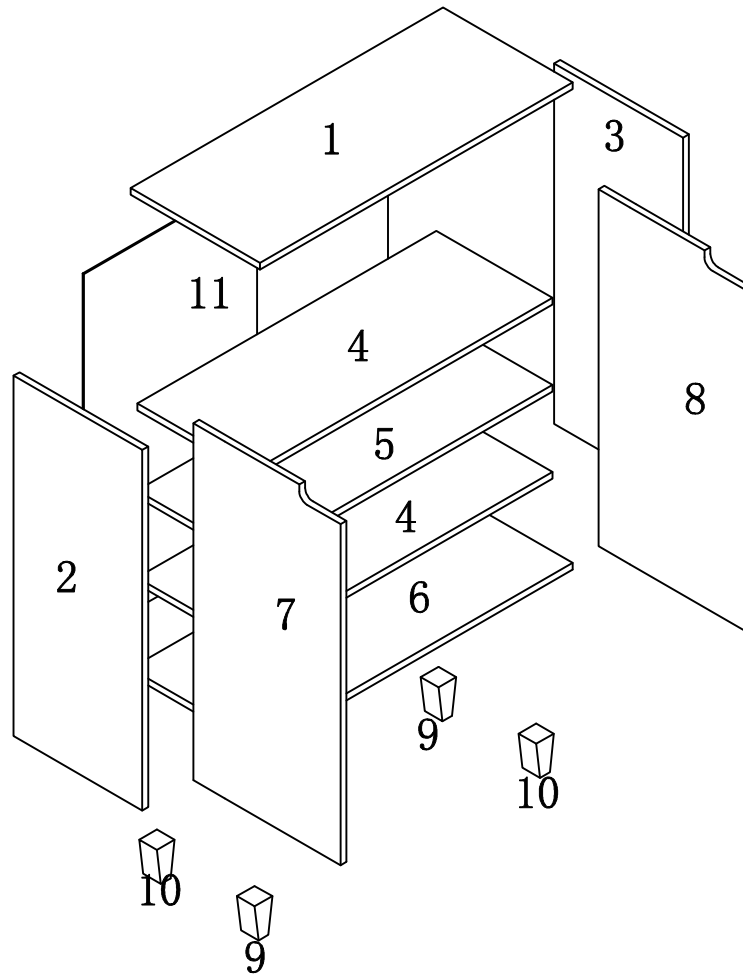
Tip #3: Read manual before assembling, it helps!

ITEM#: 161766



# PARTS IDENTIFICATION






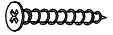



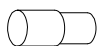
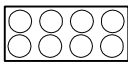



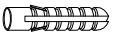

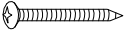
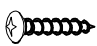


ITEM#: 161766



(1)	1pc	(7)	1pc
(2)	1pc	(8)	1pc
(3)	1pc	(9)	2pcs
(4)	2pcs	(10)	2pcs
(5)	1pc	(11)	2pcs
(6)	1pc		

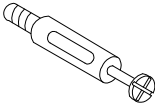

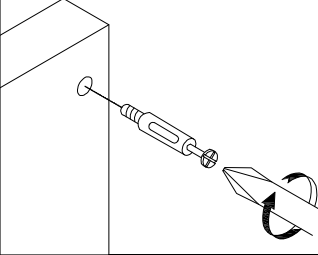
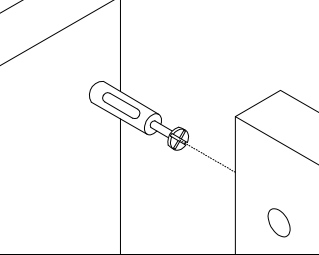
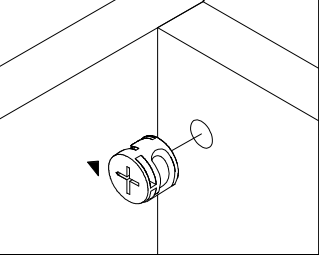
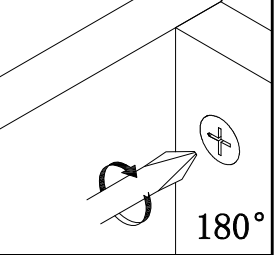
# HARDWARE IDENTIFICATION

ITEM#: 161766

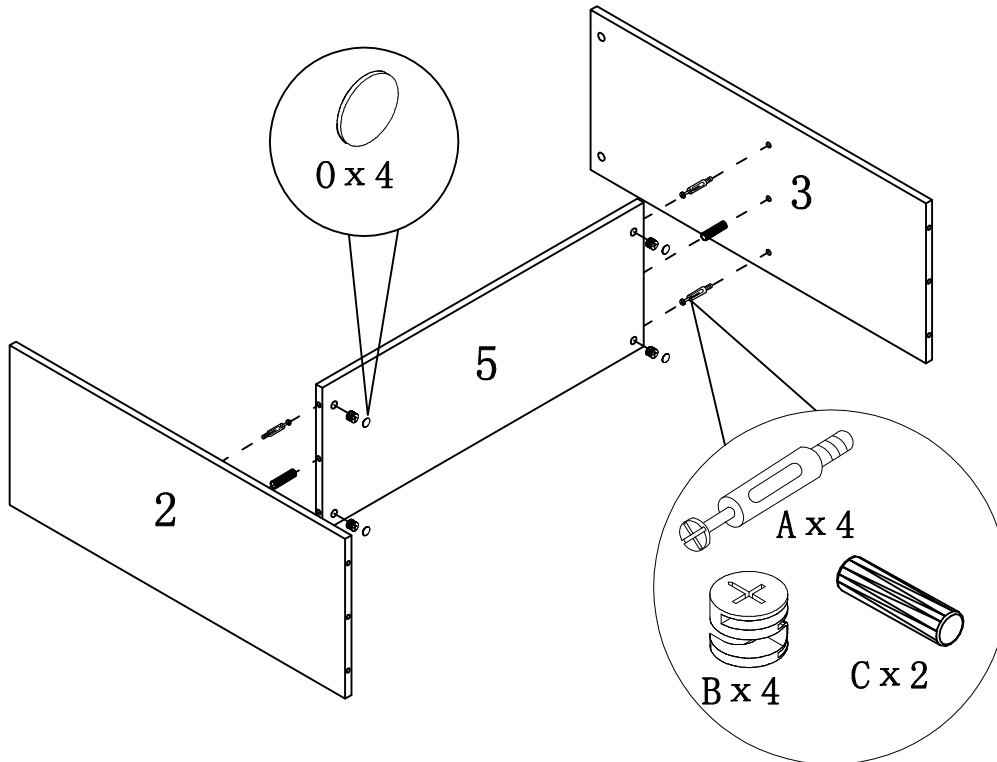
A		L29	8pcs
B		∅ 15	8pcs
C		□8×25	10pcs
D			2pcs
E		∅6*20	4pcs
F		∅ 4x35	4pcs
G			2pcs
H		∅ 3x16	4pcs
I		∅3x14	4pcs
J		∅ 5	8pcs
K		∅ 20	12pcs
L			30pcs
M		M4	1pcs
N		∅16	4pcs
O		∅8x40	1pc
P		∅12x12x1	2pcs
Q		∅5x40	1pc
R		∅4x25	1pc
S		197×5×1	1pc
T		Glue: For securing please apply to wood dowel first before inserting into panel	1pc

# ASSEMBLY INSTRUCTION

ITEM#: 161766

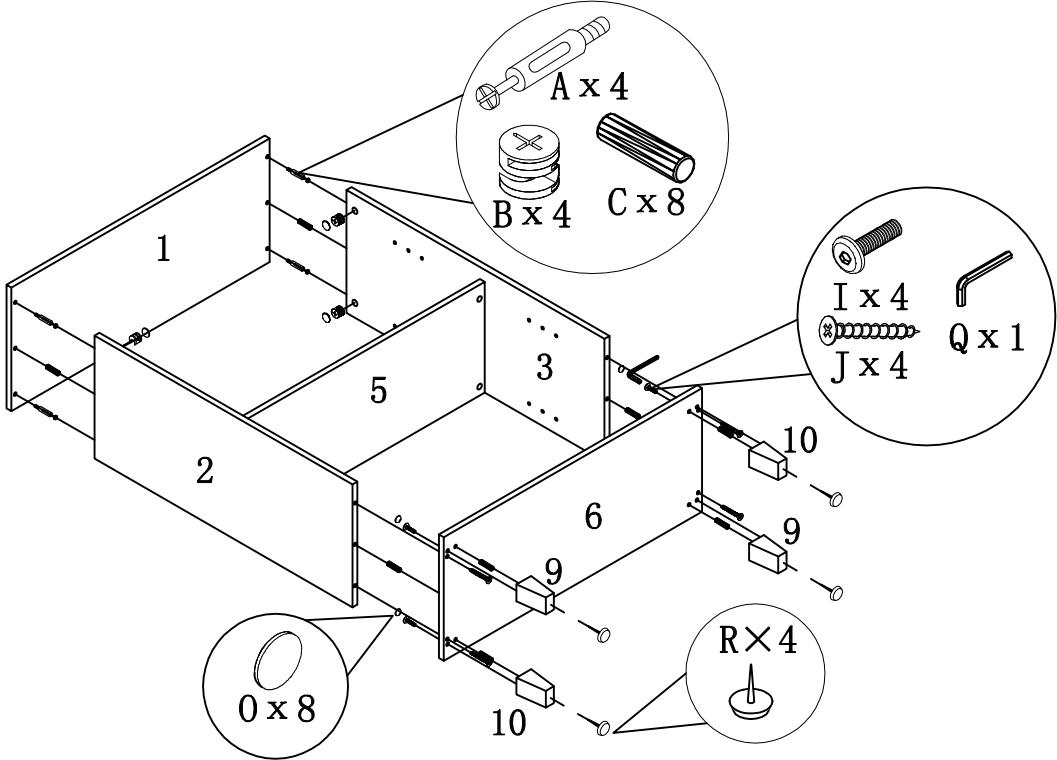
HOW TO	1	2	3	4
 <p>Cam Bolt</p>  <p>Cam Lock</p>	 <p>1. Screw Cam Bolt into panel.</p>	 <p>2. Insert Cam Bolt into bolt hole of joining panel.</p>	 <p>3. Insert Cam Lock. arrow facing bolt.</p>	 <p>4. Gently turn Cam Lock clockwise to lock position.</p> <p>180°</p>

## STEP 1



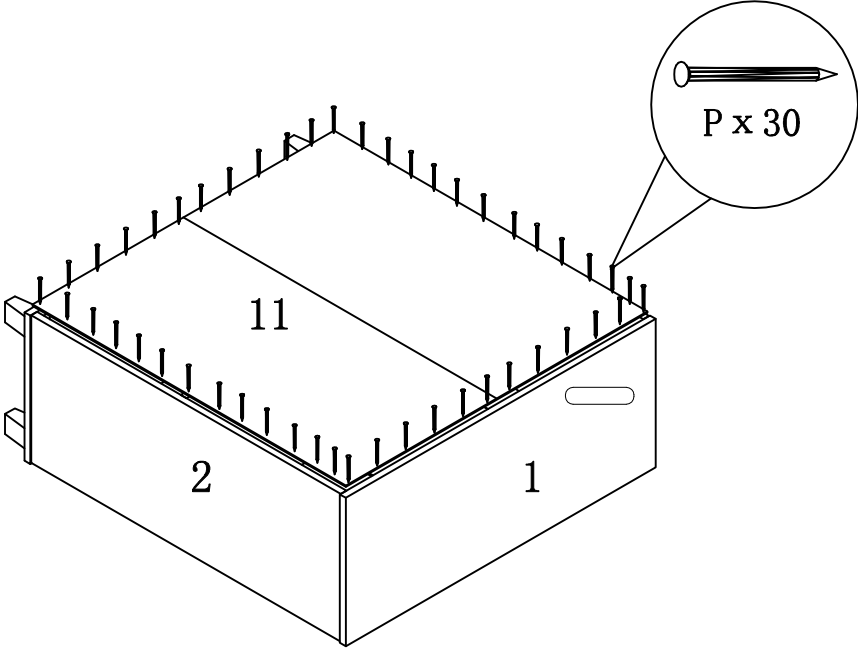
# ASSEMBLY INSTRUCTION

ITEM#: 161766



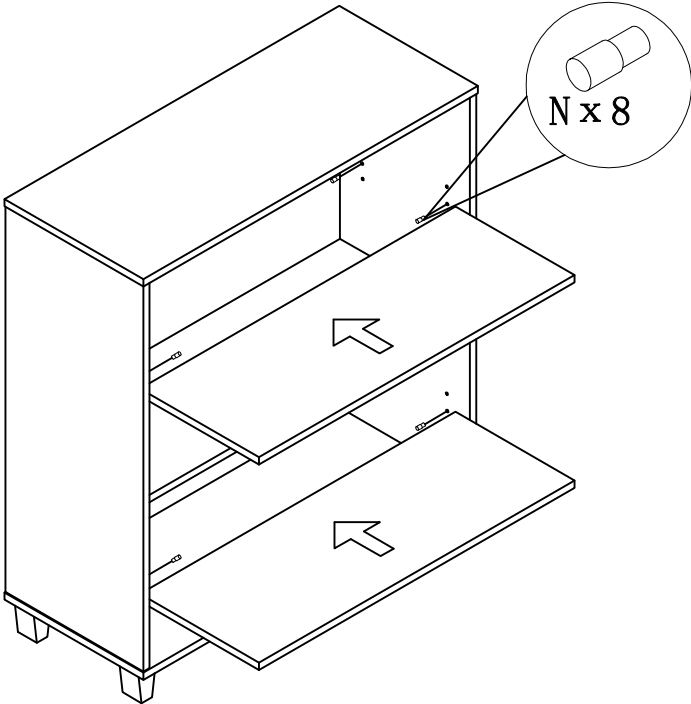
STEP2

STEP3



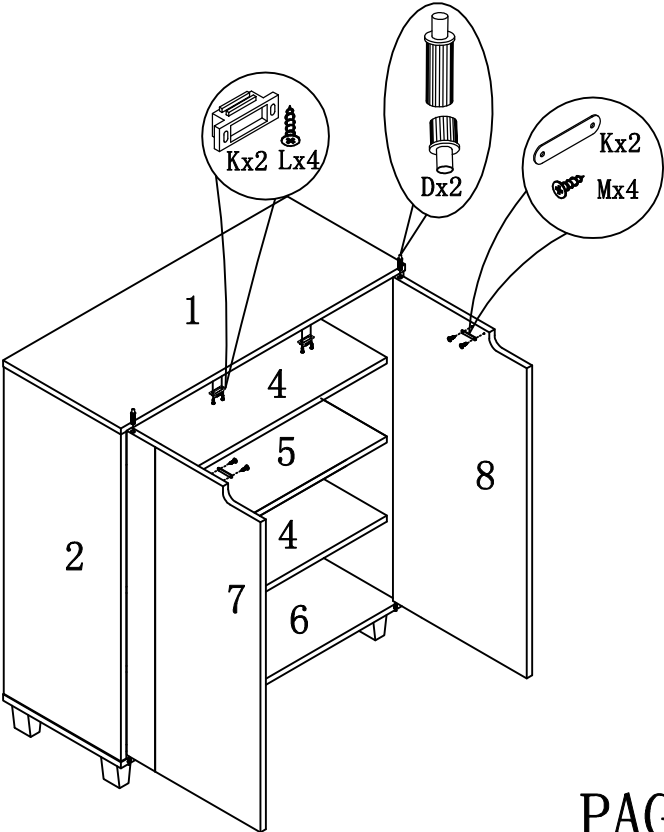
# ASSEMBLY INSTRUCTION

ITEM#: 161766



STEP4

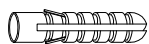
STEP5



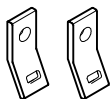
# ANTI-TIPPING STRAP INSTRUCTION

## HARDWARE (INCLUDED) :

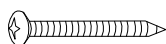
## TOOLS NEEDED ( NOT INCLUDED) :



DRYWALL ANCHOR  $\phi 8 \times 40$  X 1PC



METAL BRACKETS  $12 \times 12 \times 1$  X 2PCS



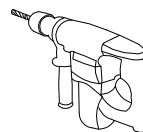
DRYWALL SCREW  $\phi 5 \times 40$  X 1PC



STRAP  $197 \times 5 \times 1$  X 1PC



FLATHEAD SCREW  $\phi 4 \times 25$  X 1PC



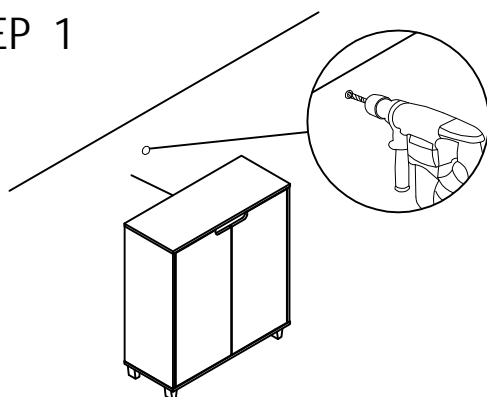
DRILL & DRILL BIT



LIGHT HAMMER

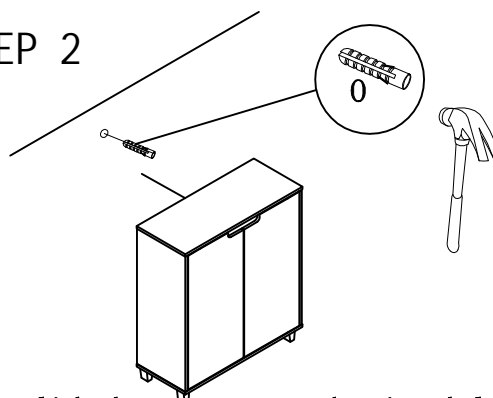
Note: Hardware included only compatible with standard drywalls.

### STEP 1



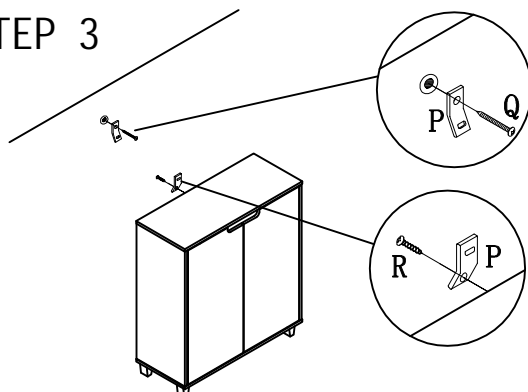
1. Find spot on wall 1" below top of item.
2. Using a drill bit slightly thinner than anchor, drill hole into drywall.

### STEP 2



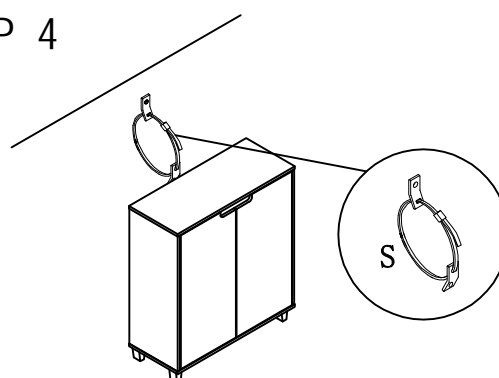
1. Use a light hammer to tap anchor into hole.
2. Anchor should fit snugly. If hole is too small, drill again to increase hole size. Do not force anchor into wall.

### STEP 3



1. Insert drywall screw into metal bracket and into drywall anchor.
2. Insert flathead screw into second metal bracket and into back of item along top edge.

### STEP 4



1. Insert strap thru bracket attached to wall, then thru bracket on item, and into head of strap.
  2. pull lightly til strap stops.
- Assembly is complete.