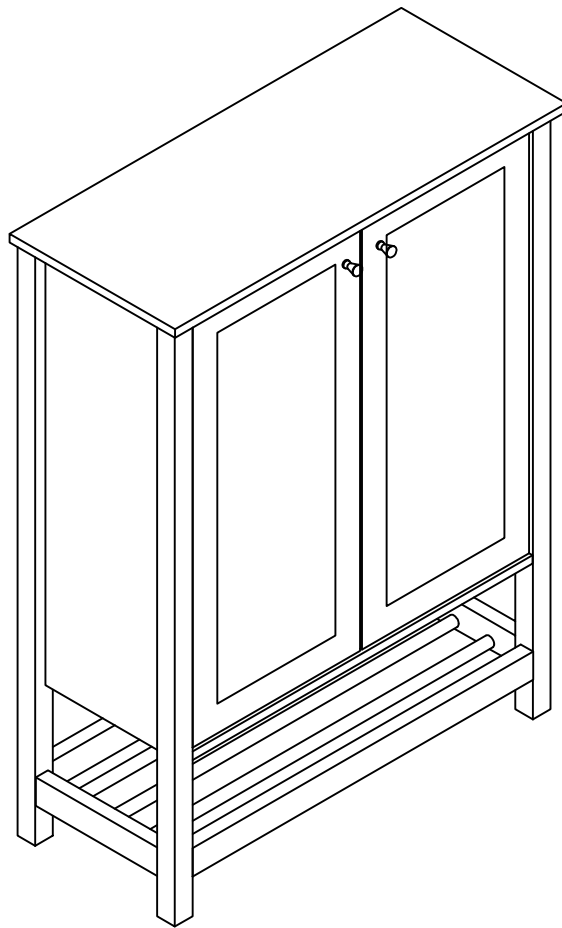


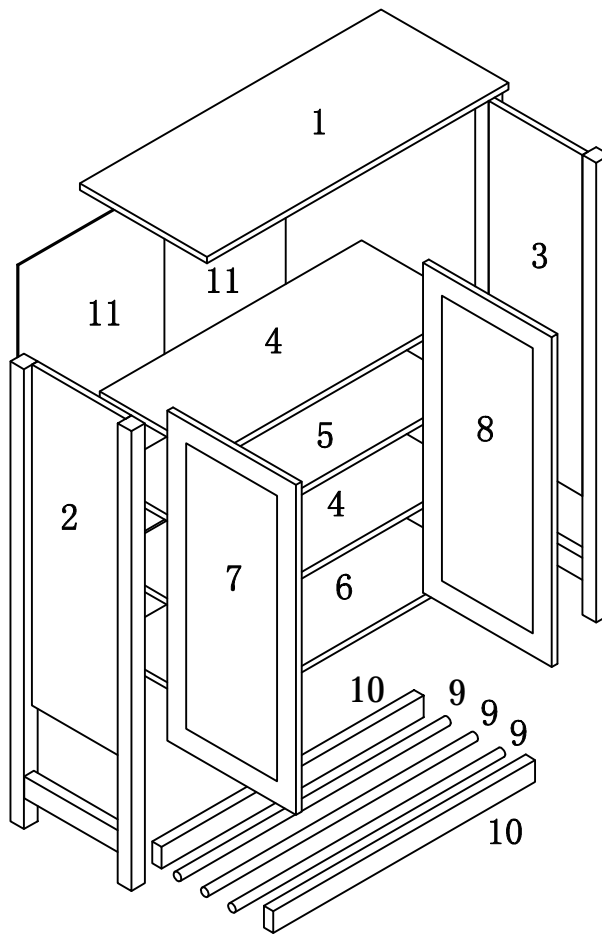
ASSEMBLY INSTRUCTIONS /
INSTRUCTIONS D'ASSEMBLAGE

ITEM NO/NO ARTICLE: FAI31SCB/151086



PARTS IDENTIFICATIONS / IDENTIFICATION DES PIECES

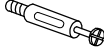

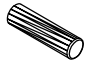



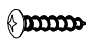

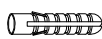

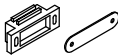
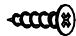
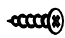

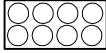




ITEM NO/NO ARTICLE: FAI31SCB/151086



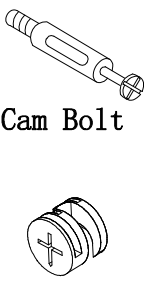
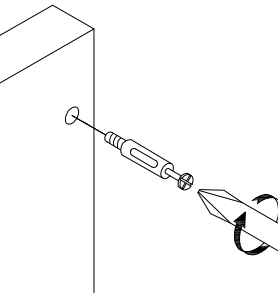
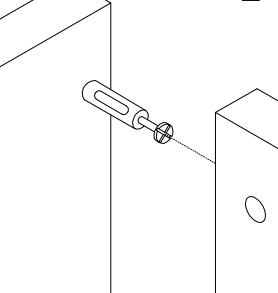
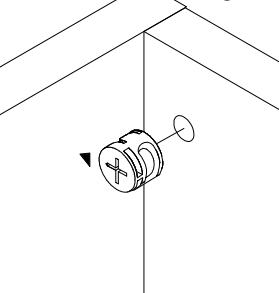
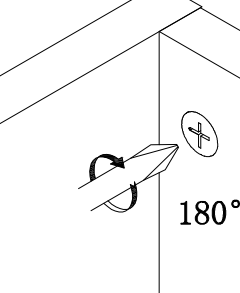
(1)	1pc/pce	(7)	1pc/pce
(2)	1pc/pce	(8)	1pc/pce
(3)	1pc/pce	(9)	3pcs/pce
(4)	2pcs/pce	(10)	2pcs/pce
(5)	1pc/pce	(11)	2pc/pce
(6)	1pc/pce		

HARDWARE IDENTIFICATIONS/ IDENTIFICATION DU KIT D'ASSEMBLAGE

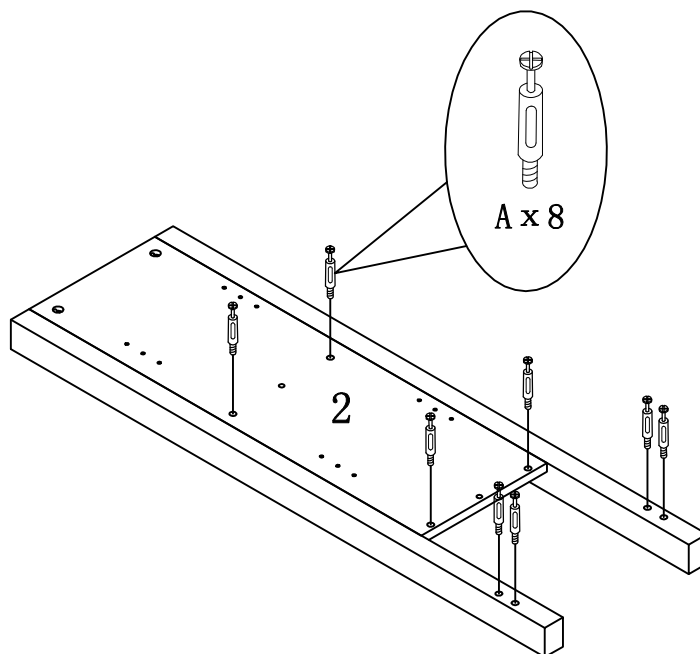
ITEM NO/NO ARTICLE: FAI31SCB/151086

A		L29	24pcs/pces
B		Ø15	24pcs/pces
C		M8×25	6pcs/pces
D			2pcs/pces
E		197×5×1	1pc/pces
F		12×12×1	2pcs/pces
S		Ø4x25	1pc/pces
G		Ø5x40	1pc/pces
H			1pc/pces
I		Ø4x25	2pcs/pces
J			2pcs/pces
K		Ø3x16	4pcs/pces
L		Ø3x14	4pcs/pces
M		Ø5	8pcs/pces
N		Ø20 (RC)	16pcs/pces
O			30pcs/pces
P			2pcs/pces
Q		Ø16	4pcs/pces
R		Glue: For securing please apply to wood dowel first before inserting into panel	1pc/pces

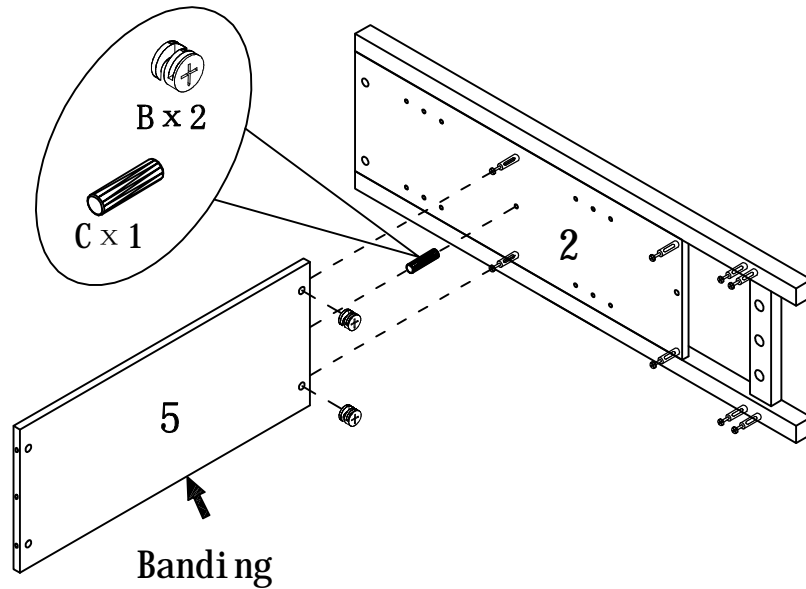
ITEM NO/NO ARTICLE: FAI31SCB/151086

HOW TO	1	2	3	4
 <p>Cam Bolt</p>				
	1. Screw Cam Bolt into panel.	2. Insert Cam Bolt into bolt hole of joining panel.	3. Insert Cam Lock. arrow facing bolt.	4. Gently turn Cam Lock clockwise to lock position.

STEP 1 / ETAPE 1

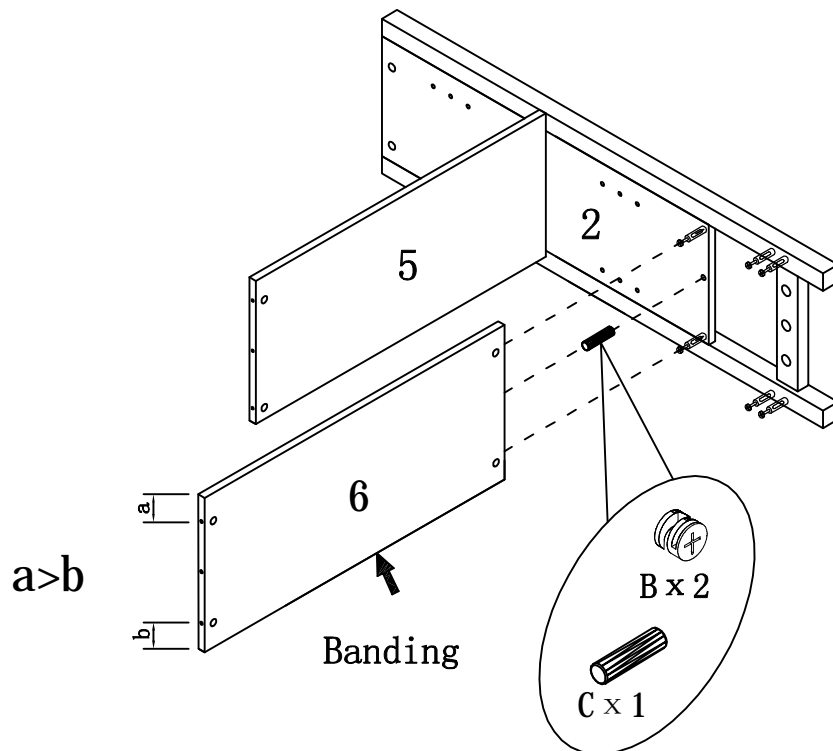


ITEM NO/NO ARTICLE: FAI31SCB/151086

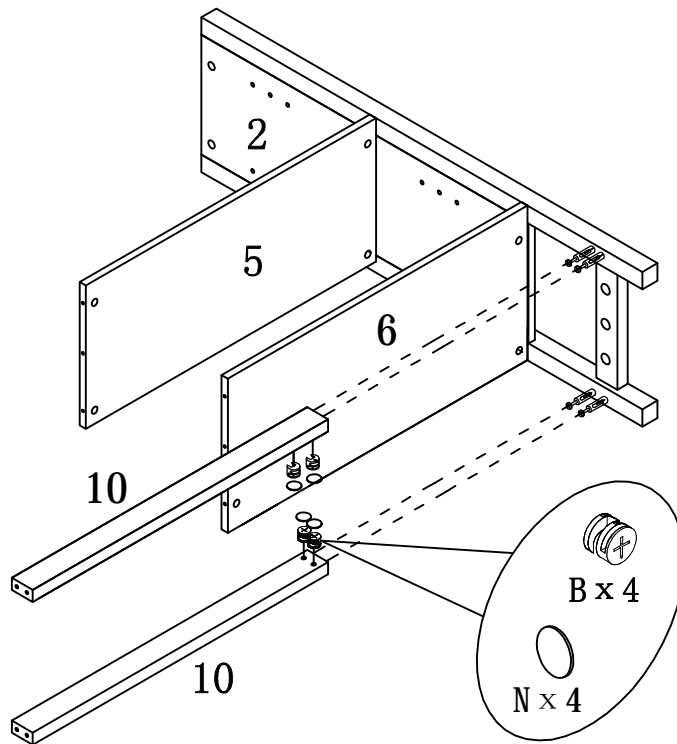


STEP 2 / ETAPE 2

STEP 3 / ETAPE 3

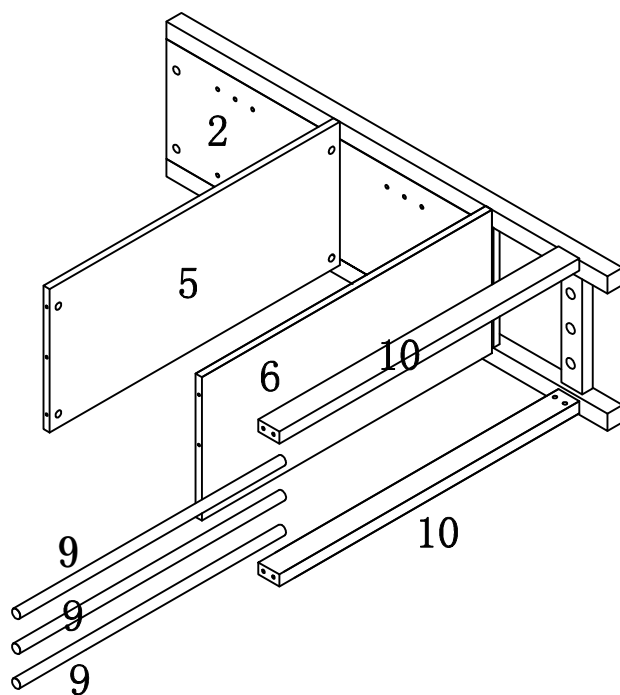


ITEM NO/NO ARTICLE: FAI31SCB/151086

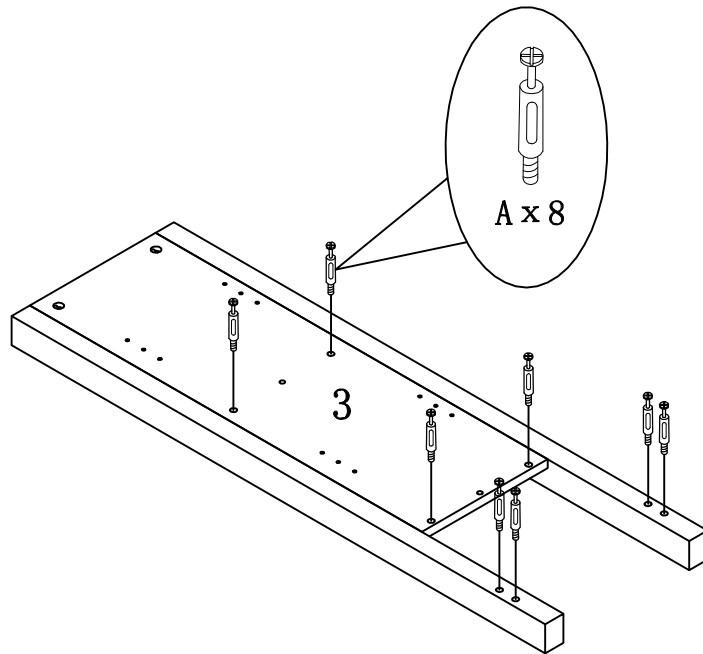


STEP 4 / ETAPE 4

STEP 5 / ETAPE 5

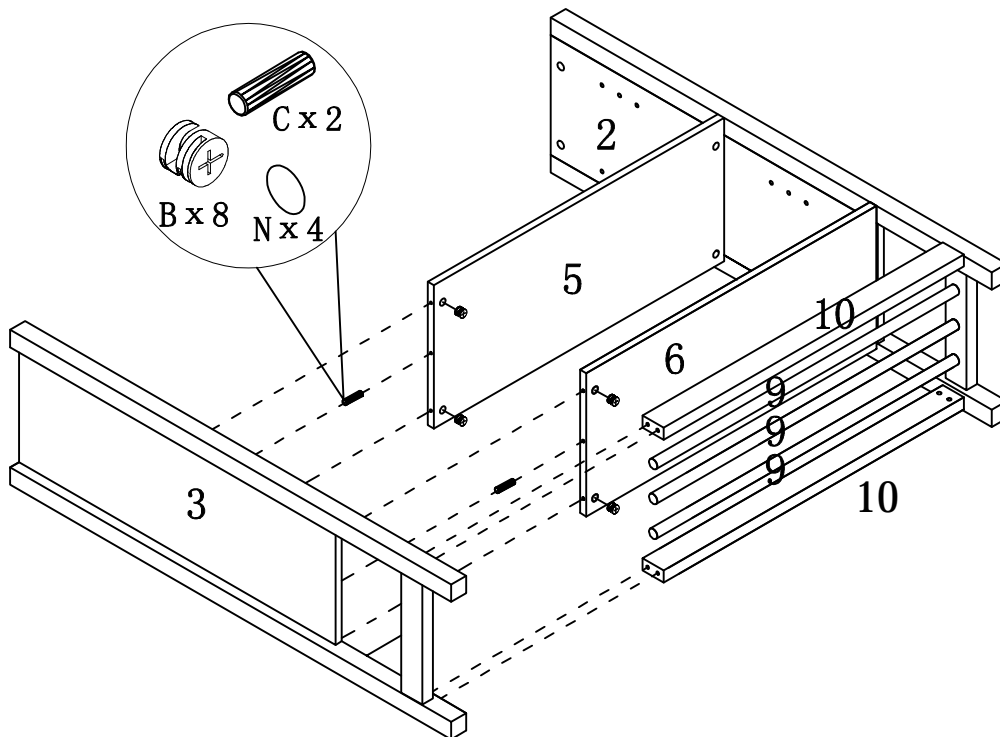


ITEM NO/NO ARTICLE: FAI31SCB/151086

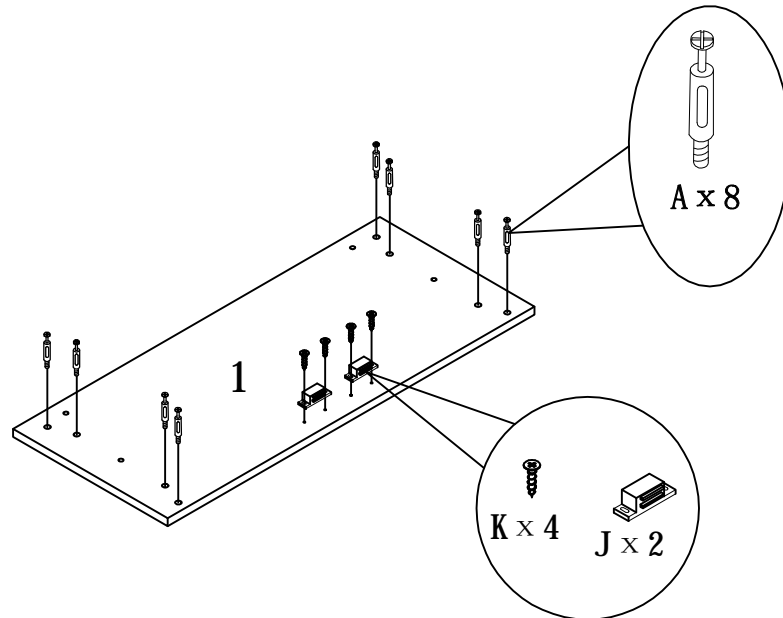


STEP 6 / ETAPE 6

STEP 7 / ETAPE 7

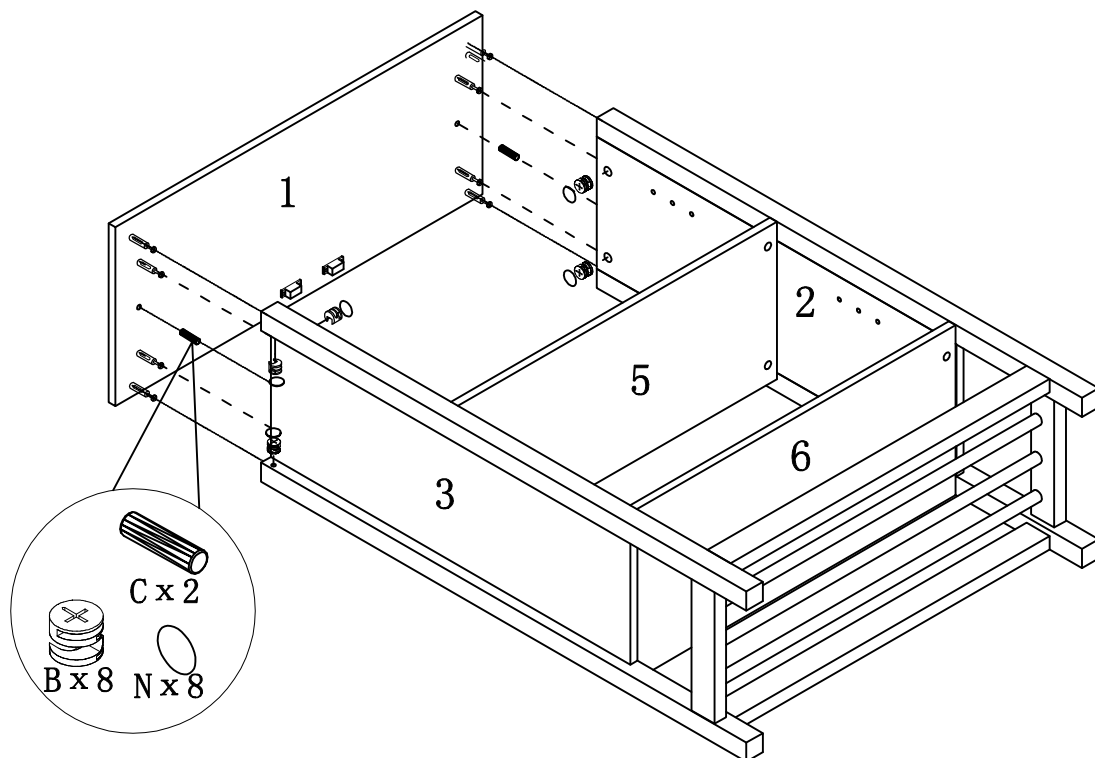


ITEM NO/NO ARTICLE: FAI31SCB/151086

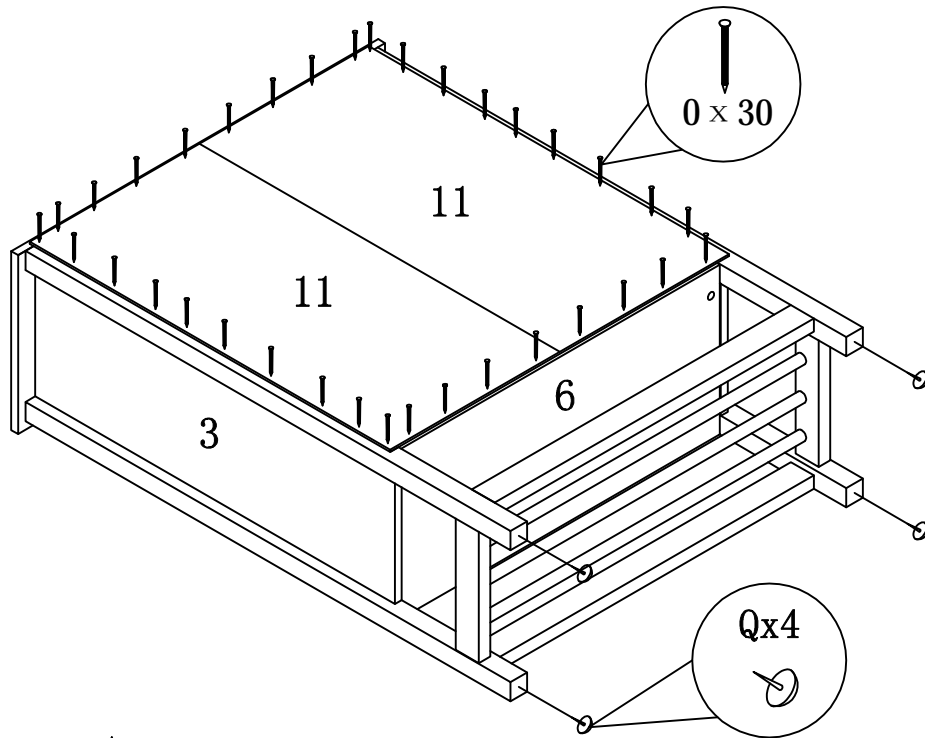


STEP 8 / ETAPE 8

STEP 9 / ETAPE 9

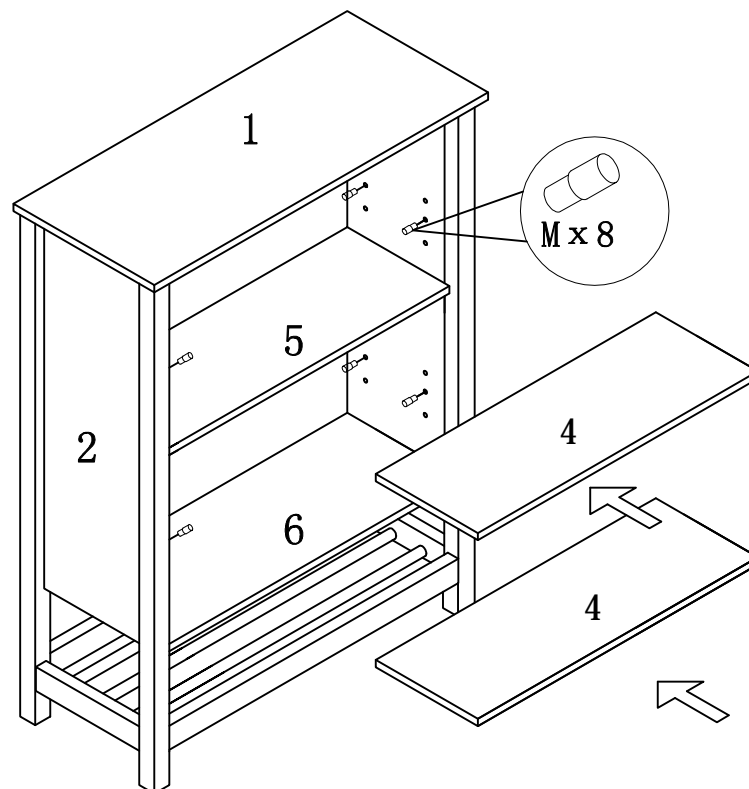


ITEM NO/NO ARTICLE: FAI31SCB/151086

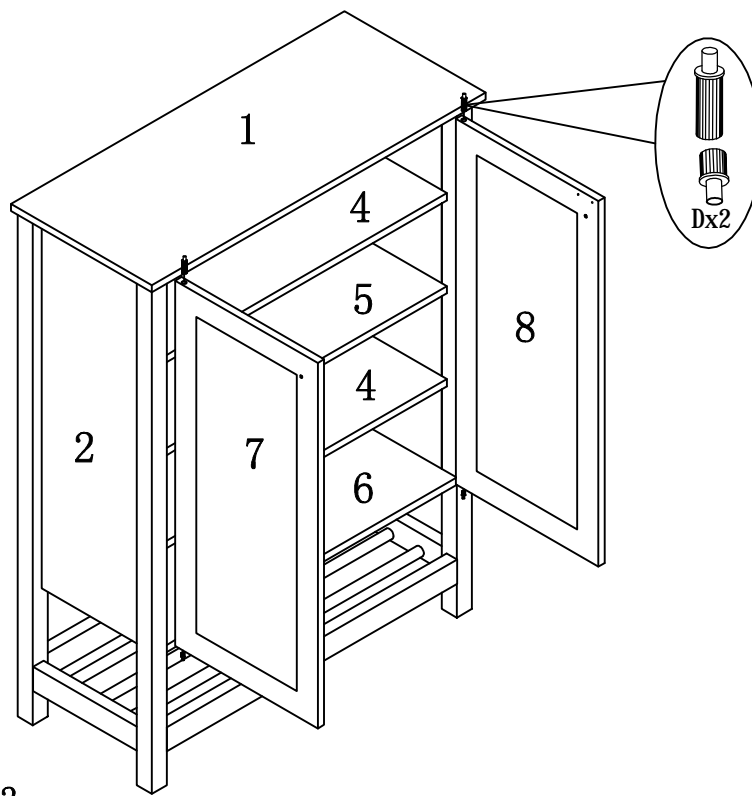


STEP 10 / ETAPE 10

STEP 11 / ETAPE 11

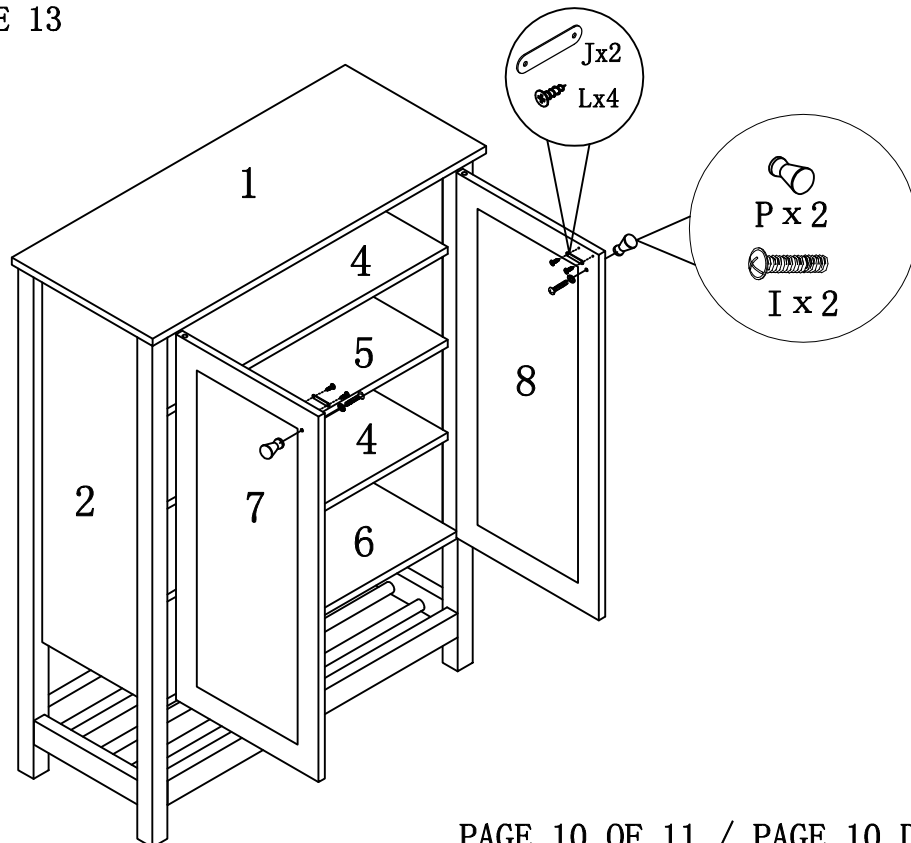


ITEM NO/NO ARTICLE: FAI31SCB/151086



STEP 12 / ETAPE 12

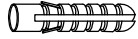
STEP 13 / ETAPE 13



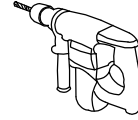
ANTI-TIPPING STRAP INSTRUCTION

HARDWARE (INCLUDED) :

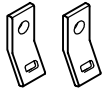
TOOLS NEEDED (NOT INCLUDED) :



DRYWALL ANCHOR $\phi 8 \times 40$ X 1PC



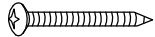
DRILL & DRILL BIT



METAL BRACKETS $12 \times 12 \times 1$ X 2PCS



LIGHT HAMMER



DRYWALL SCREW $\phi 5 \times 40$ X 1PC



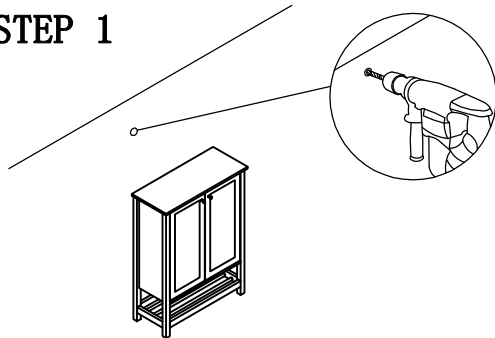
STRAP $197 \times 5 \times 1$ X 1PC



FLATHEAD SCREW $\phi 4 \times 25$ X 1PC

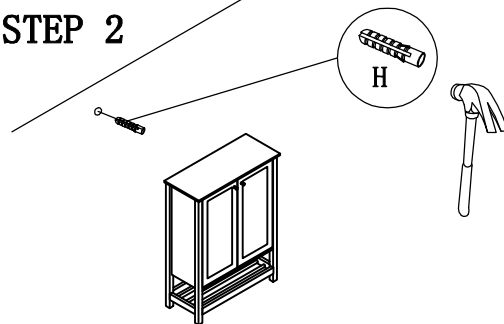
Note: Hardware included only compatible with standard drywalls.

STEP 1



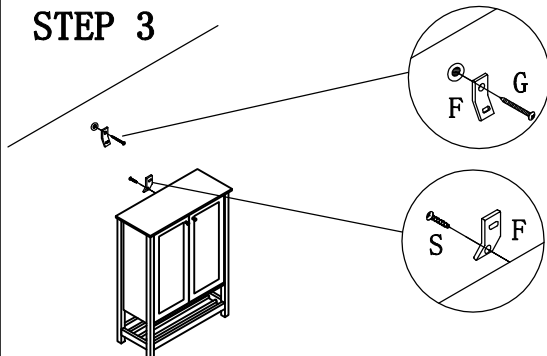
1. Find spot on wall 1" below top of item.
2. Using a drill bit slightly thinner than anchor, drill hole into drywall.

STEP 2



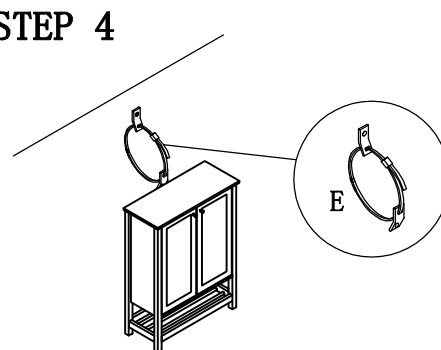
1. Use a light hammer to tap anchor into hole.
2. Anchor should fit snugly. If hole is too small, drill again to increase hole size. Do not force anchor into wall.

STEP 3



1. Insert drywall screw into metal bracket and into drywall anchor.
2. Insert flathead screw into second metal bracket and into back of item along top edge.

STEP 4



1. Insert strap thru bracket attached to wall, then thru bracket on item, and into head of strap.
 2. pull lightly til strap stops.
- Assembly is complete.