

# ASSEMBLY INSTRUCTION

---

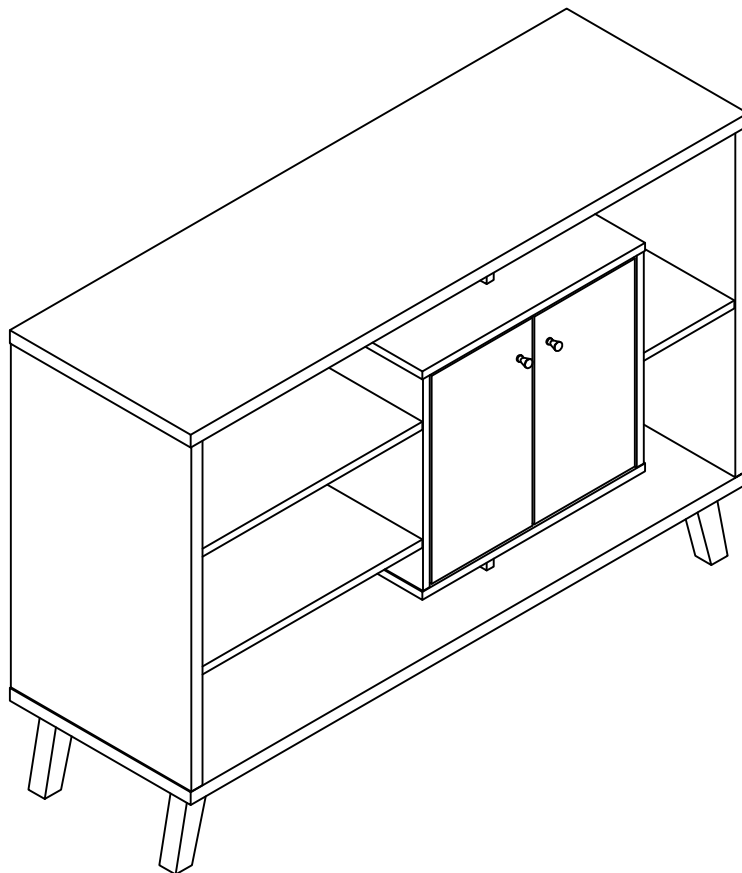
## PLEASE READ BEFORE ASSEMBLING!

Tip #1: Make sure you've taken all the pieces and hardware out of its packaging before discarding the box.

Tip #2: Using page 2 and/or page 3 of instruction manual make sure all pieces and hardware are accounted for.

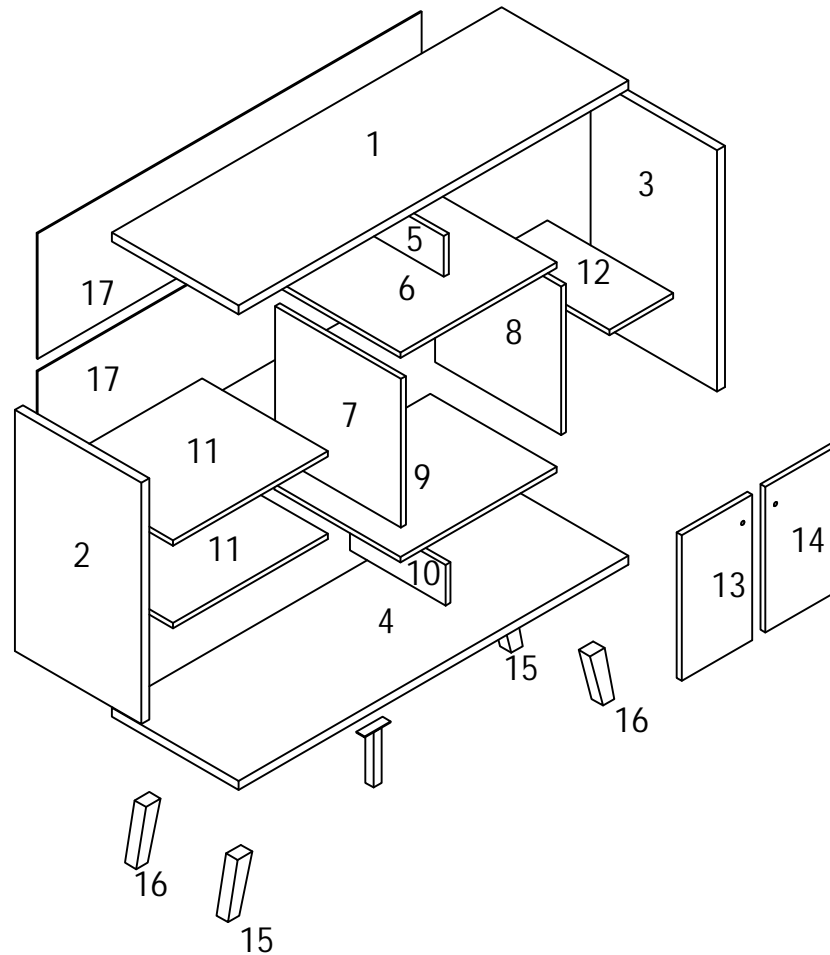
Tip #3: Read manual before assembling, it helps!

ITEM#: 151138



# PARTS IDENTIFICATION










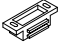



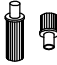
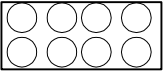
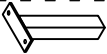

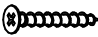


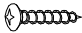
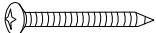
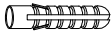


ITEM#: 151138



(1)	1pc	(8)	1pc	(15)	2pcs
(2)	1pc	(9)	1pc	(16)	2pcs
(3)	1pc	(10)	1pc	(17)	2pcs
(4)	1pc	(11)	2pcs		
(5)	1pc	(12)	1pc		
(6)	1pc	(13)	1pc		
(7)	1pc	(14)	1pc		

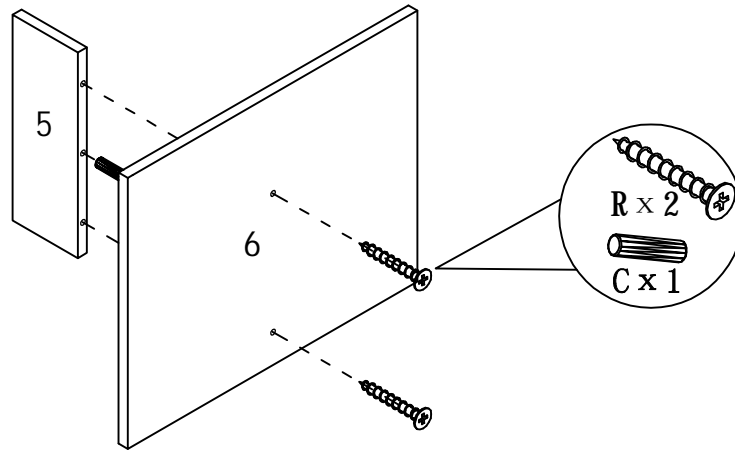
# HARDWARE IDENTIFICATION

ITEM#: 151138

A		L=29	24pcs
B		ø15	24pcs
C		ø8 x 25	22pcs
D		ø7x48	4pcs
E		ø8x30	4pcs
F			30pcs
G		M5	1pc
H			2pcs
I		M4x22	2pcs
J			1pc
K			2pcs
L		ø3x14	4pcs
M		ø3x16	2pcs
N			2pcs
O		ø20	16pcs
P		80x25x150	1pc
Q		ø4x16	2pcs
R		ø4x35	8pcs
S		ø16	4pcs
T		197×5×1	1pc
U		ø4×25	1pc
V		ø5×40	1pc
W		ø8×40	1pc
S		12×12×1	2pcs
V		Glue: For securing please apply to wood dowel first before inserting into panel	1pc

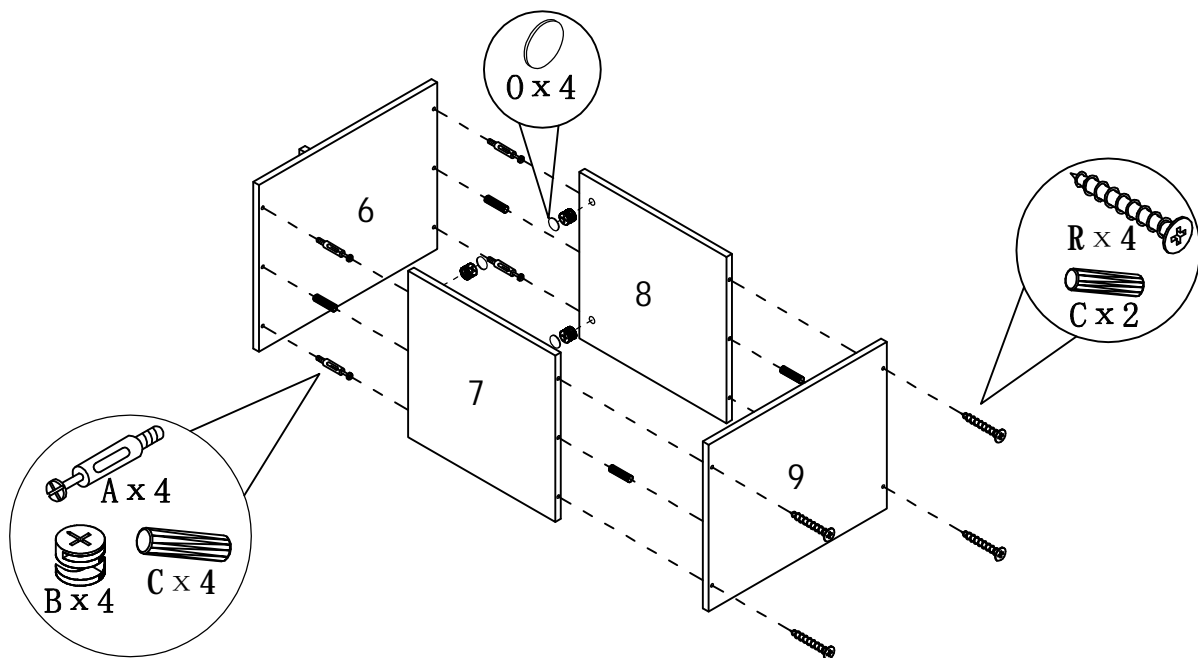
# ASSEMBLY INSTRUCTION

ITEM#: 151138



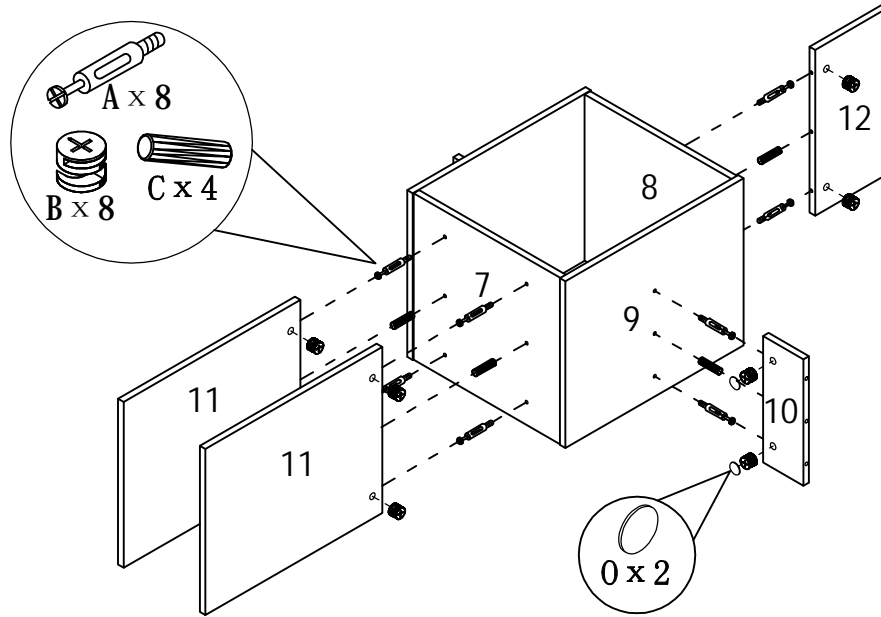
STEP 1

STEP 2



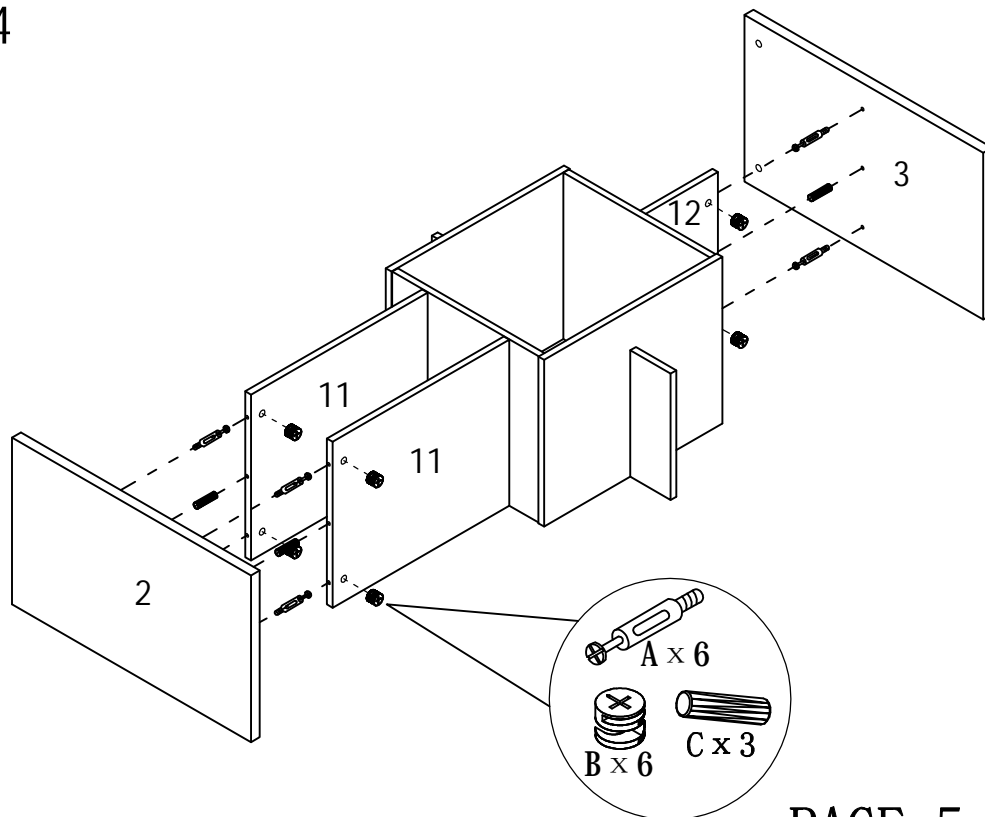
# ASSEMBLY INSTRUCTION

ITEM#: 151138



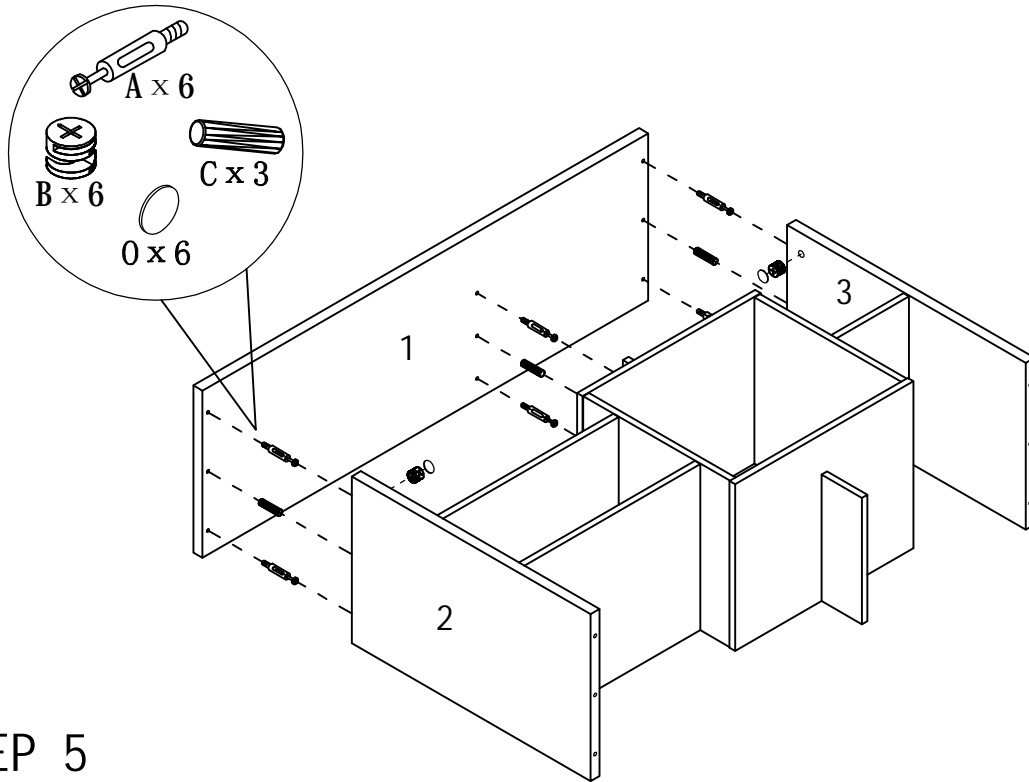
STEP 3

STEP 4



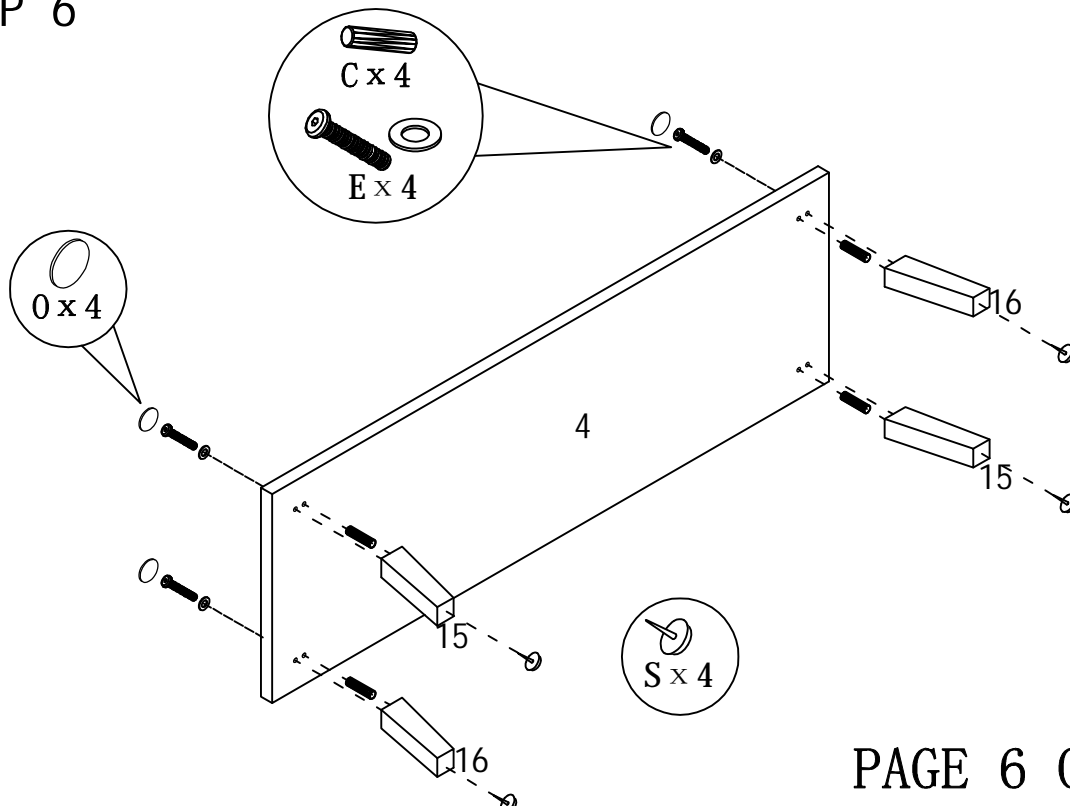
# ASSEMBLY INSTRUCTION

ITEM#: 151138



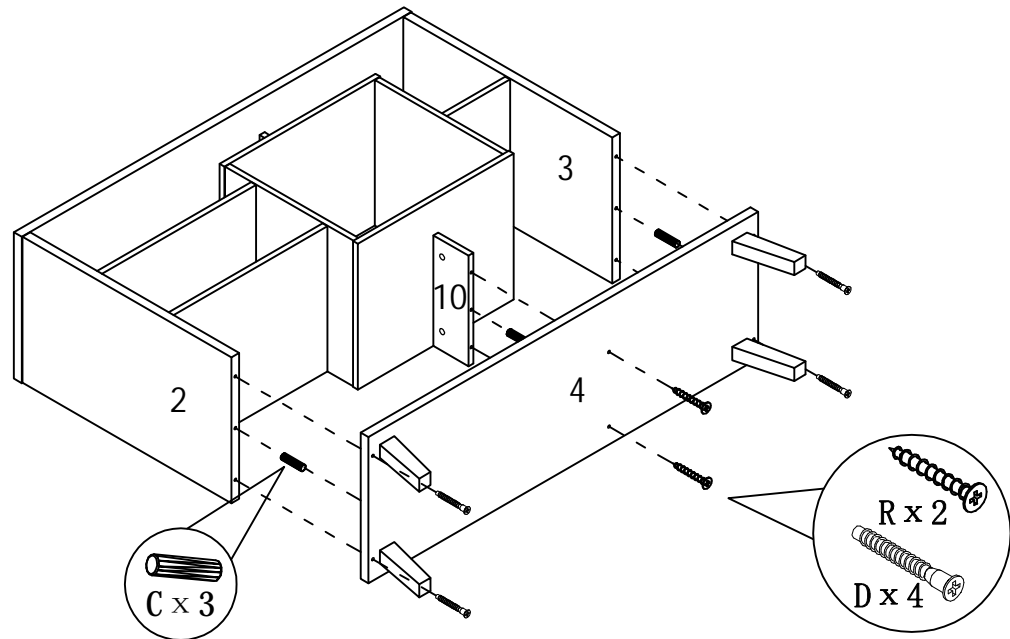
STEP 5

STEP 6



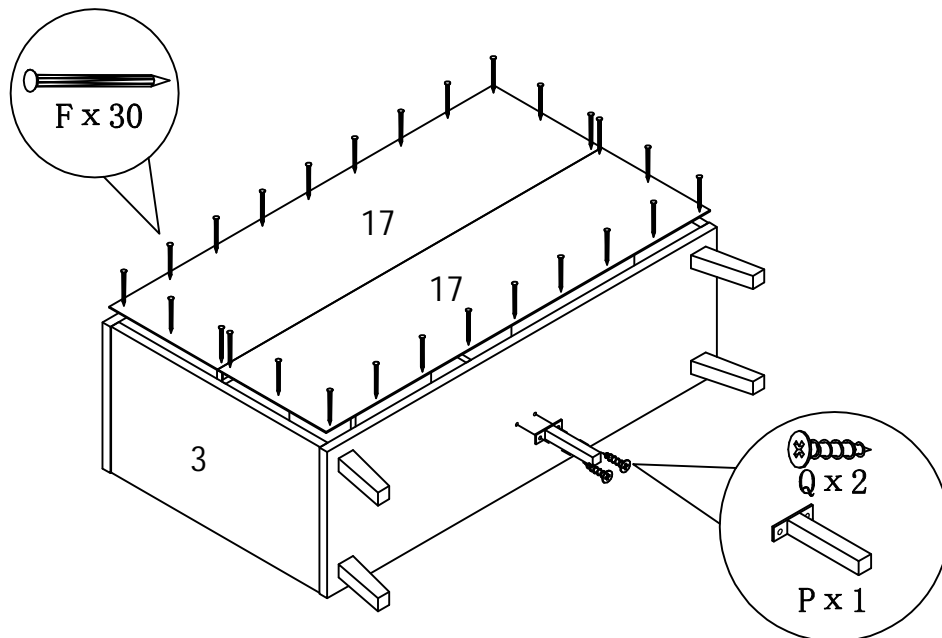
# ASSEMBLY INSTRUCTION

ITEM#: 151138



STEP 7

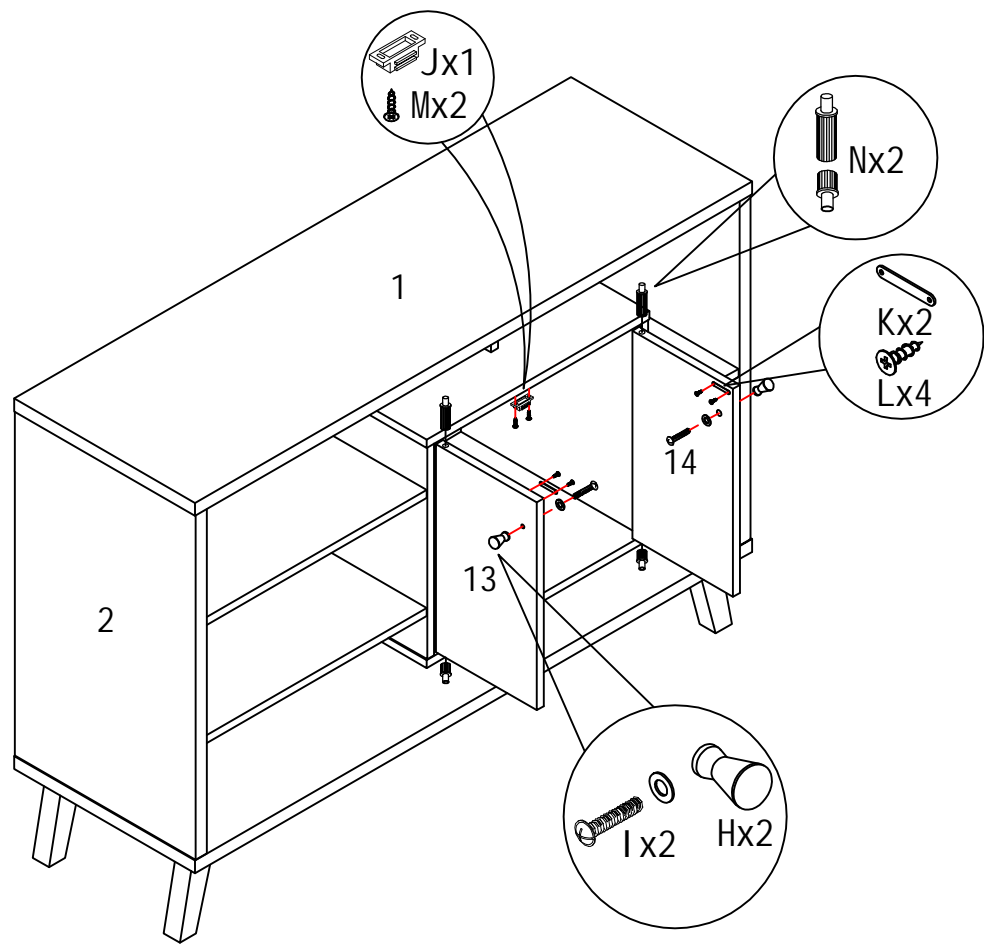
STEP 8



# ASSEMBLY INSTRUCTION

ITEM#: 151138

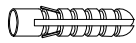
STEP 9



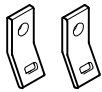


# ANTI-TIPPING STRAP INSTRUCTION

## HARDWARE (INCLUDED) :



DRYWALL ANCHOR  $\phi 8 \times 40$  X 1PC



METAL BRACKETS  $12 \times 12 \times 1$  X 2PCS



DRYWALL SCREW  $\phi 5 \times 40$  X 1PC

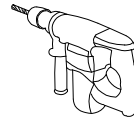


STRAP  $197 \times 5 \times 1$  X 1PC



FLATHEAD SCREW  $\phi 4 \times 25$  X 1PC

## TOOLS NEEDED ( NOT INCLUDED) :

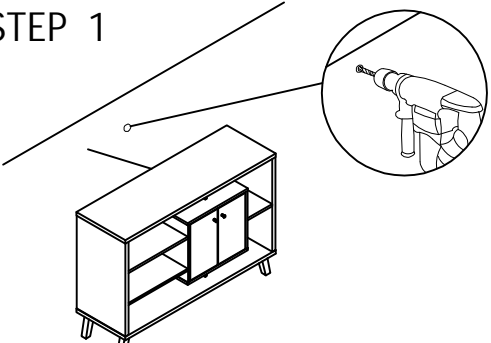
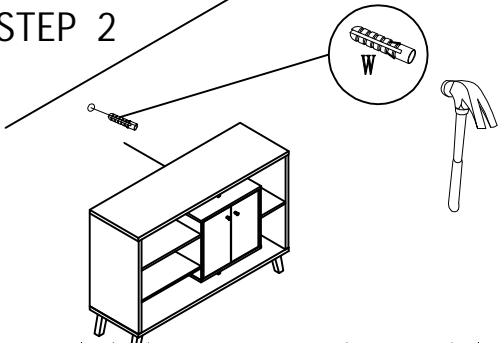
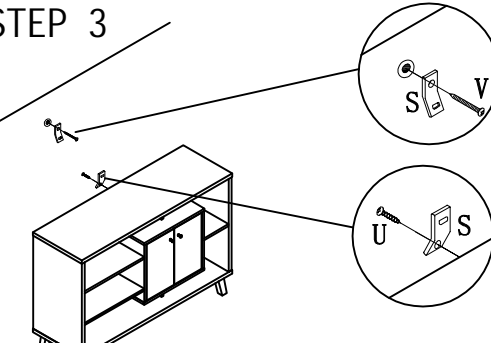
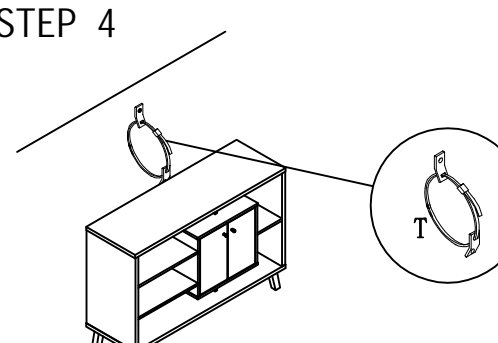


DRILL & DRILL BIT



LIGHT HAMMER

Note: Hardware included only compatible with standard drywalls.

<p><b>STEP 1</b></p>  <ol style="list-style-type: none"> <li>1. Find spot on wall 1" below top of item.</li> <li>2. Using a drill bit slightly thinner than anchor, drill hole into drywall.</li> </ol>	<p><b>STEP 2</b></p>  <ol style="list-style-type: none"> <li>1. Use a light hammer to tap anchor into hole.</li> <li>2. Anchor should fit snugly. If hole is too small, drill again to increase hole size. Do not force anchor into wall.</li> </ol>
<p><b>STEP 3</b></p>  <ol style="list-style-type: none"> <li>1. Insert drywall screw into metal bracket and into drywall anchor.</li> <li>2. Insert flathead screw into second metal bracket and into back of item, along top edge.</li> </ol>	<p><b>STEP 4</b></p>  <ol style="list-style-type: none"> <li>1. Insert strap thru bracket attached to wall, then thru bracket on item, and into head of strap.</li> <li>2. pull lightly til strap stops.</li> </ol> <p><b>Assembly is complete.</b></p>