

# ASSEMBLY INSTRUCTION

---

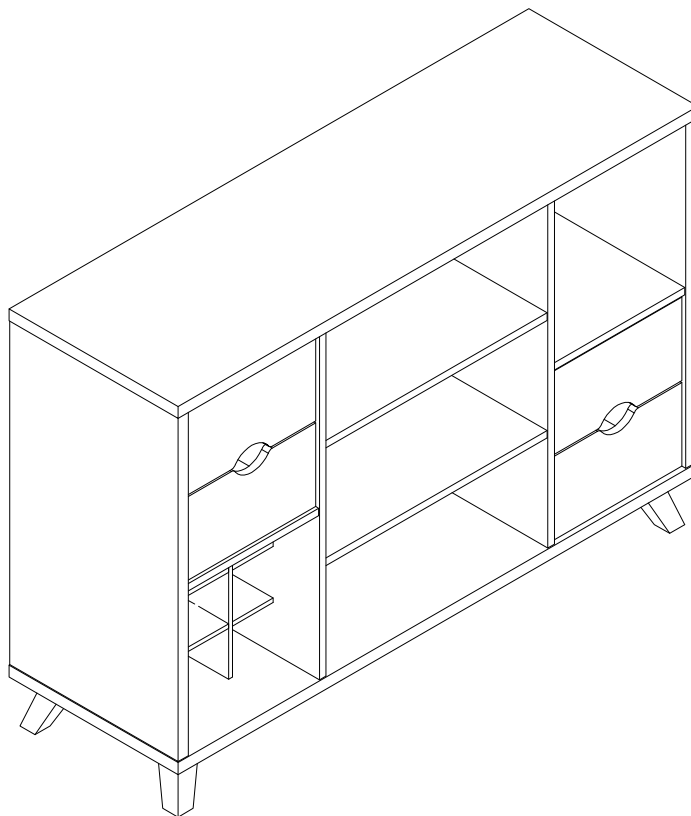
## PLEASE READ BEFORE ASSEMBLING!

Tip #1: Make sure you've taken all the pieces and hardware out of its packaging before discarding the box.

Tip #2: Using page 2 and/or page 3 of instruction manual make sure all pieces and hardware are accounted for.

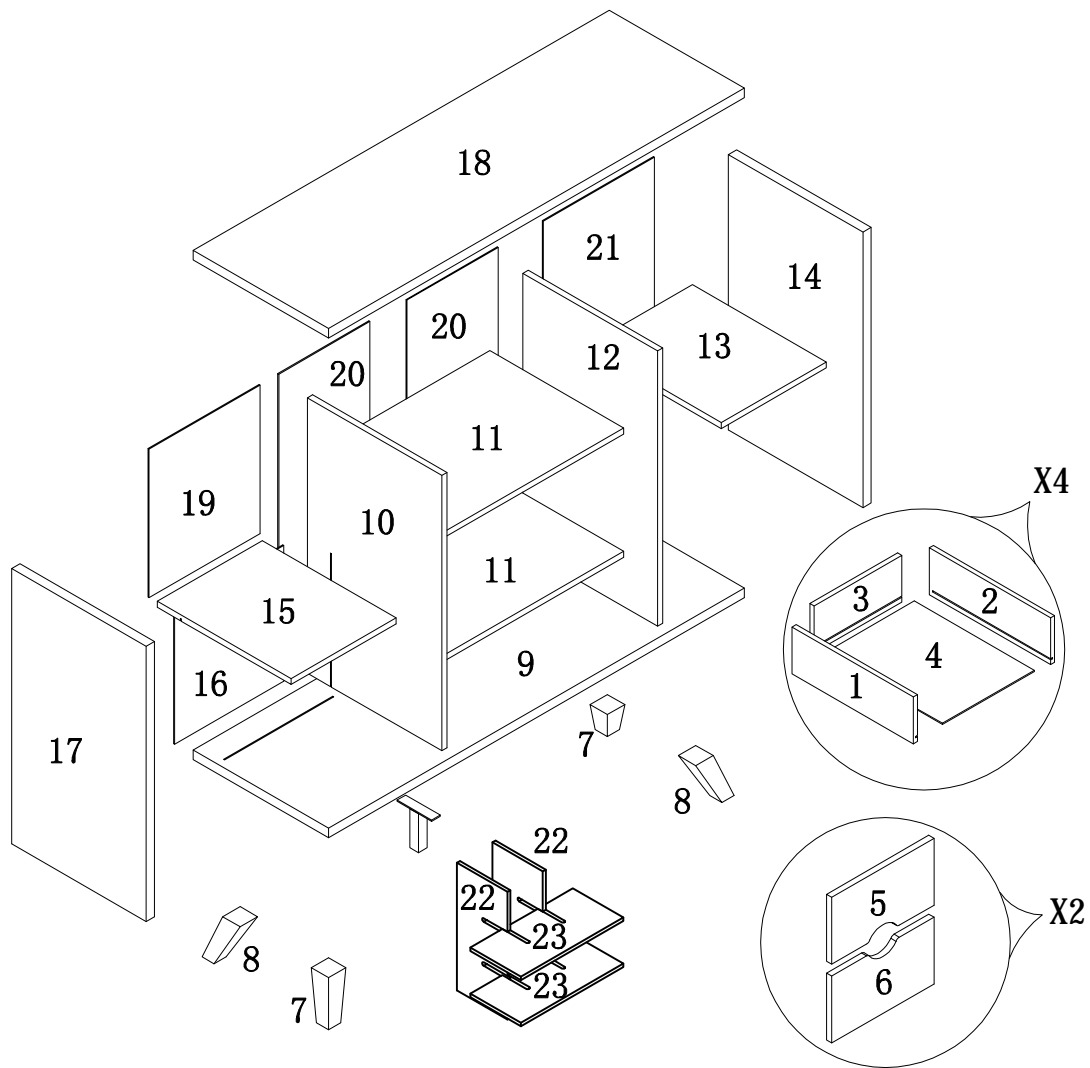
Tip #3: Read manual before assembling, it helps!

ITEM#: 151285



# PARTS IDENTIFICATION




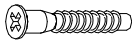
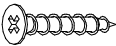
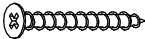
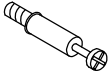






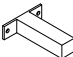

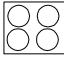

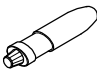
ITEM#: 151285



(1)	4pcs	(7)	2pcs	(13)	1pc	(19)	1pc
(2)	4pcs	(8)	2pcs	(14)	1pc	(20)	2pcs
(3)	4pcs	(9)	1pc	(15)	1pc	(21)	1pc
(4)	4pcs	(10)	1pc	(16)	1pc	(22)	2pcs
(5)	2pcs	(11)	2pcs	(17)	1pc	(23)	2pcs
(6)	2pcs	(12)	1pc	(18)	1pc		

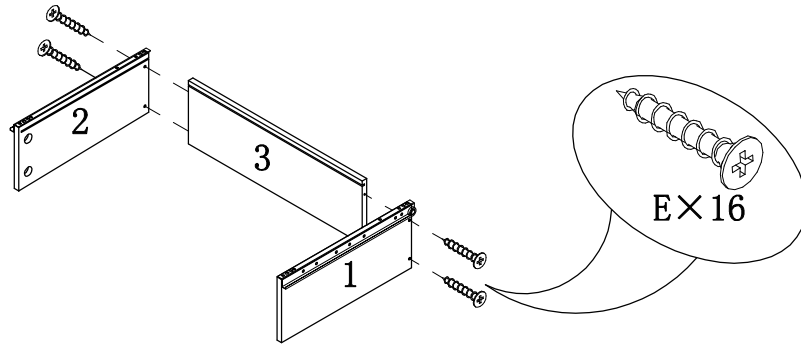
# HARDWARE IDENTIFICATION

ITEM#: 151285

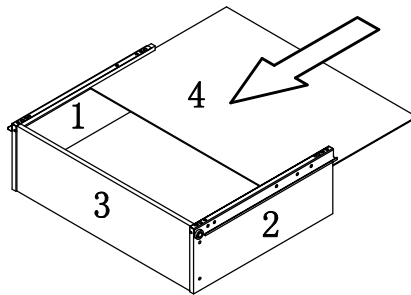
A		L=29	24pcs
B		ø15	24pcs
C		ø8 x 25	24pcs
D		M7 x 48	4pcs
E		ø4 x 30	16pcs
F		ø4 x 35	4pcs
G		L20	16pcs
H		φ 12	16pcs
I		L340	2pcs
J		ø4 x 16	8pcs
K		Z1016	40pcs
L		M8 x 35	4pcs
M		M5	1pc
N		80x25x152	1pc
O		φ 16	4pcs
P		φ 20	5pcs
Q		ø8 x 16 x 2	8pcs
R		Glue: For securing please apply to wood dowel first before inserting into panel	1pc

# ASSEMBLY INSTRUCTION

ITEM#: 151285

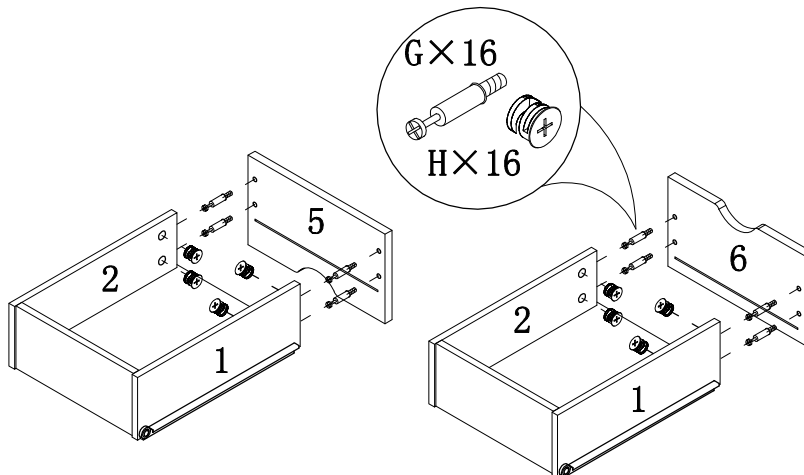


STETP 1



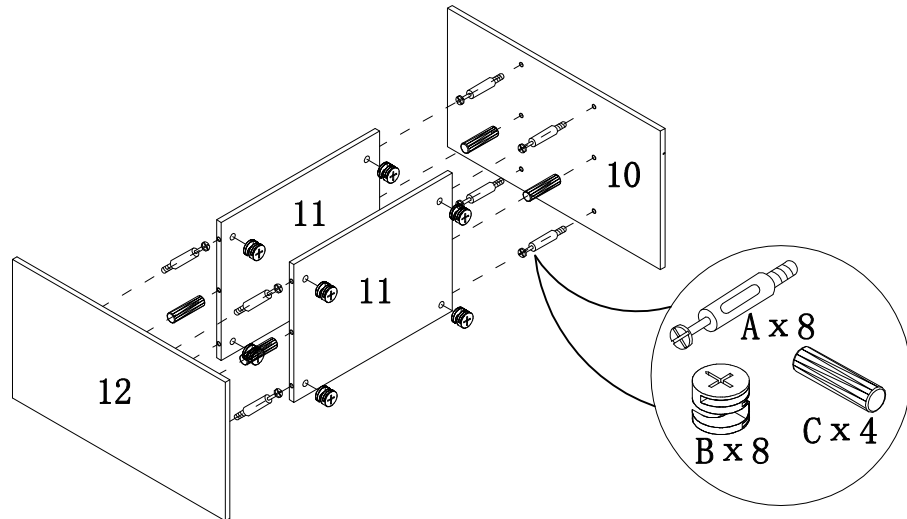
STETP 2

STETP 3



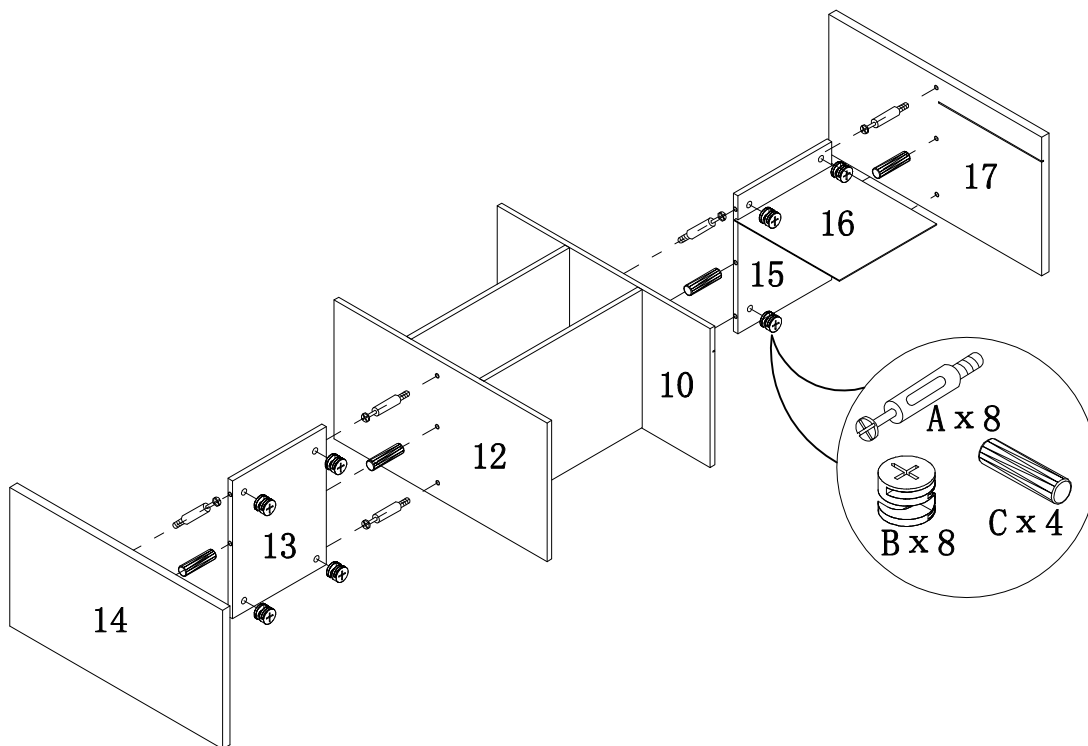
# ASSEMBLY INSTRUCTION

ITEM#: 151285



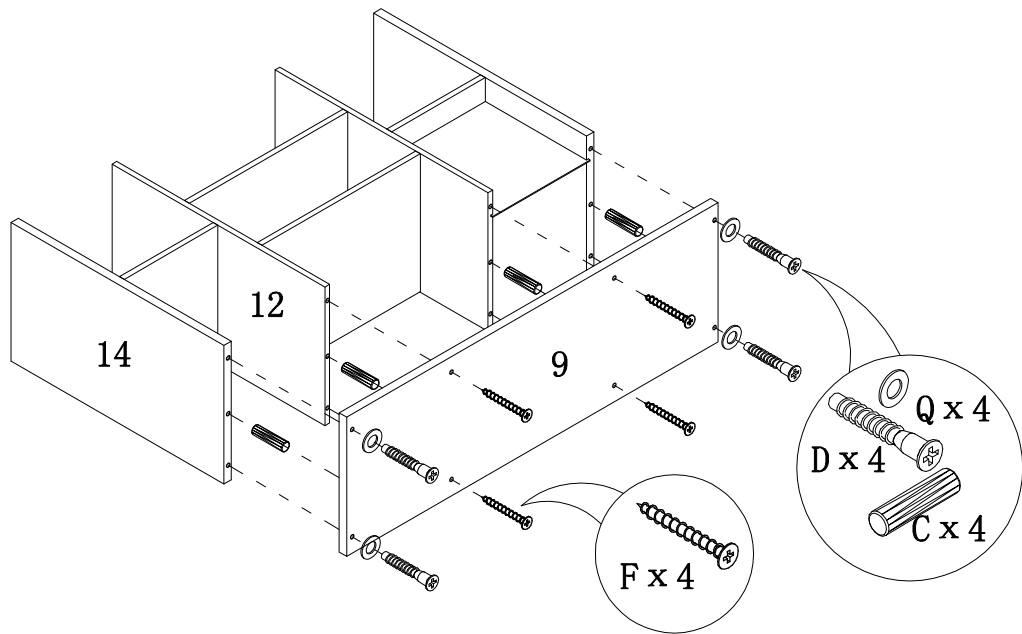
STEP 4

STEP 5



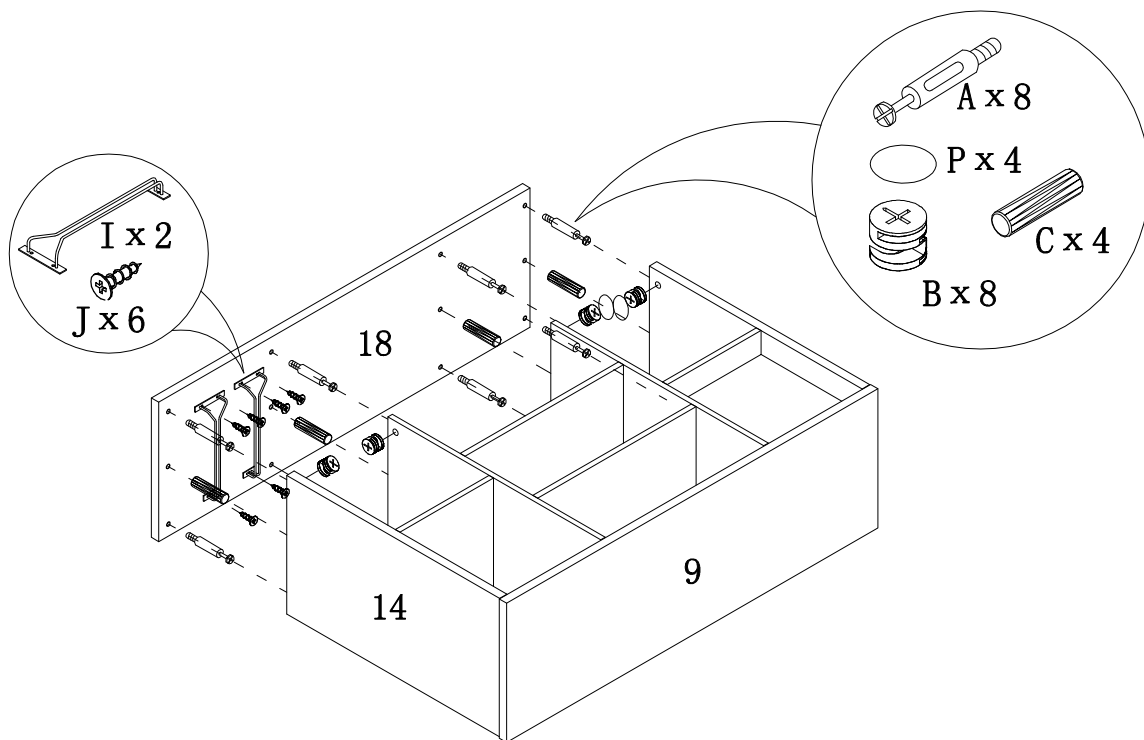
# ASSEMBLY INSTRUCTION

ITEM#: 151285



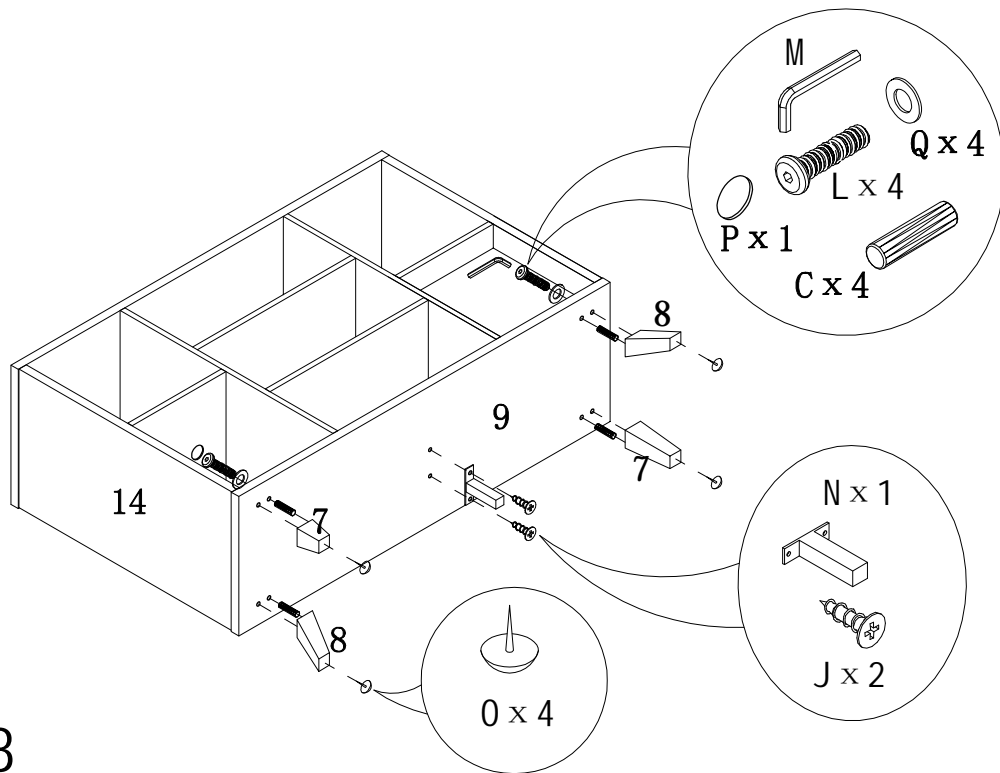
STEP 6

STEP 7



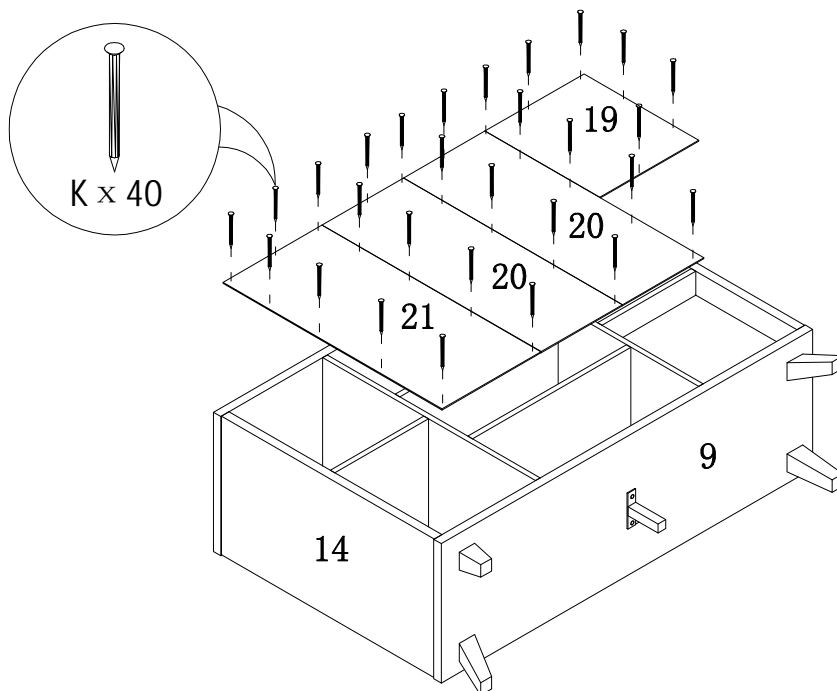
# ASSEMBLY INSTRUCTION

ITEM#: 151285



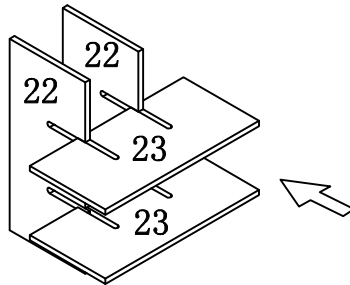
STEP 8

STEP 9



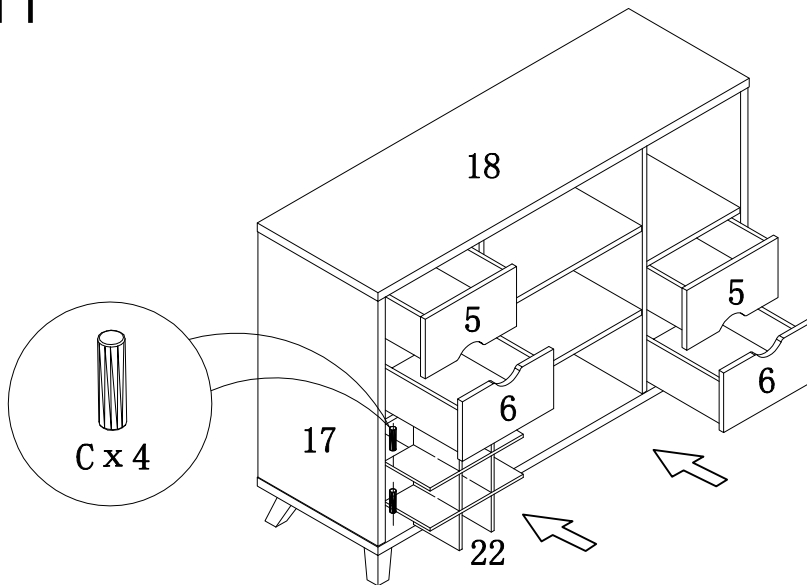
# ASSEMBLY INSTRUCTION

ITEM#: 151285



STETP 10

STETP 11



STETP 12

