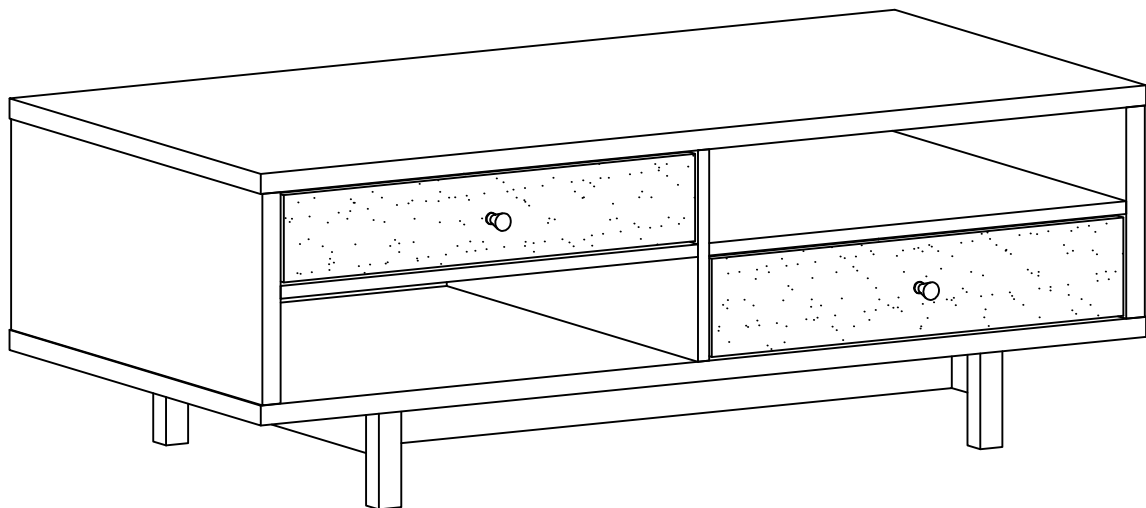


ASSEMBLY INSTRUCTION

ITEM#: 151345CT



ASSEMBLY INSTRUCTION

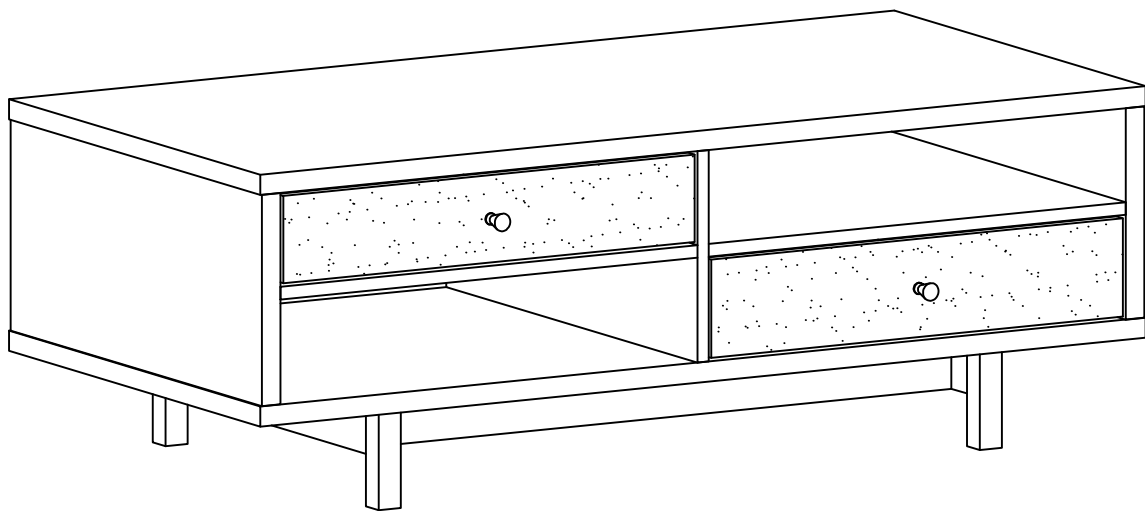
PLEASE READ BEFORE ASSEMBLING!

Tip #1: Make sure you've taken all the pieces and hardware out of its packaging before discarding the box.

Tip #2: Using page 2 and/or page 3 of instruction manual make sure all pieces and hardware are accounted for.

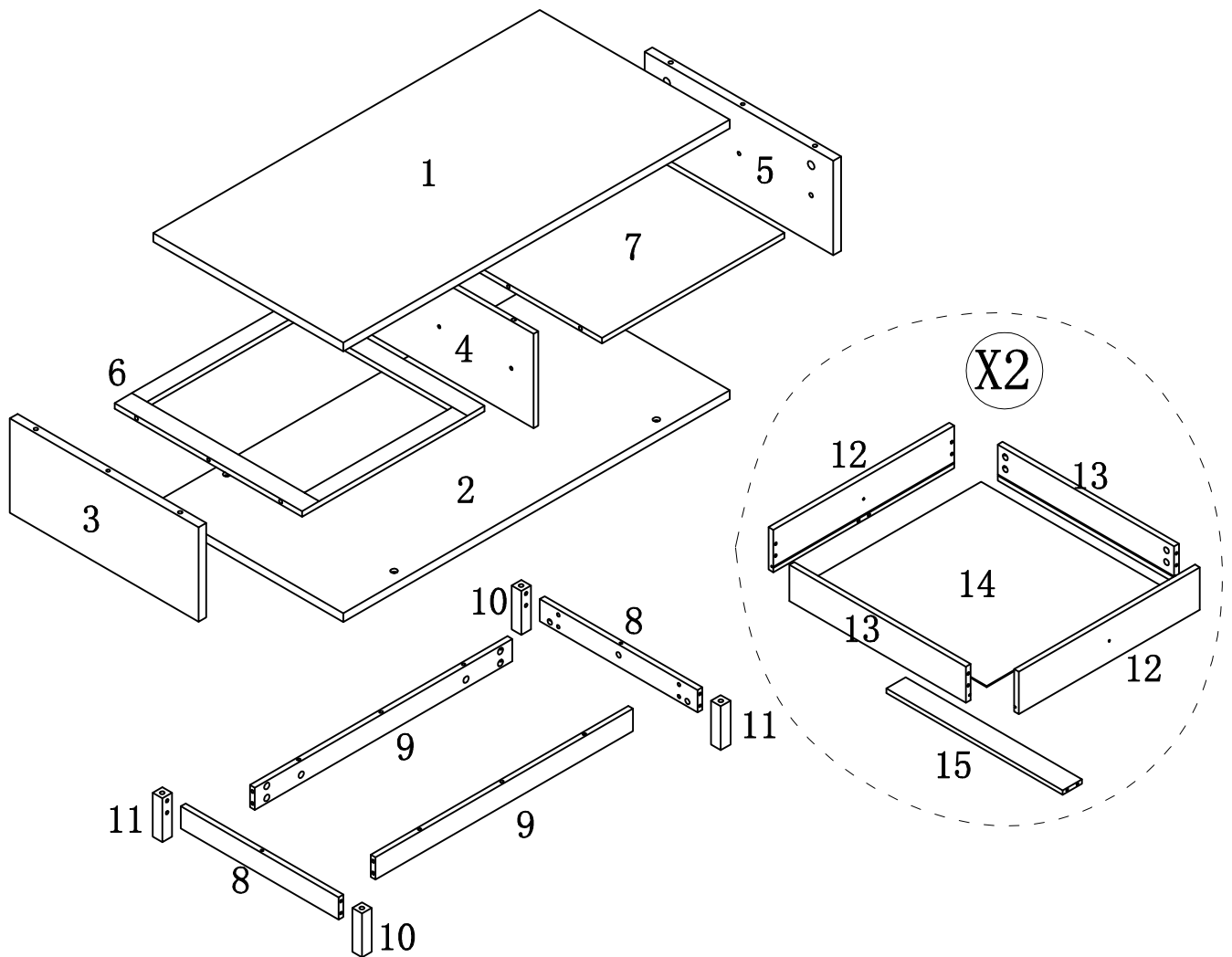
Tip #3: Read manual before assembling, it helps!

ITEM#: 151345CT



PARTS IDENTIFICATION

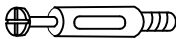


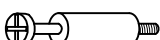





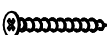


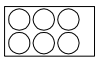
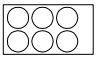

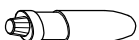
ITEM#: 151345CT



(1)	1pc	(9)	2pcs
(2)	1pc	(10)	2pcs
(3)	1pc	(11)	2pcs
(4)	1pc	(12)	4pcs
(5)	1pc	(13)	4pcs
(6)	1pc	(14)	2pcs
(7)	1pc	(15)	2pcs
(8)	2pcs		

HARDWARE IDENTIFICATION

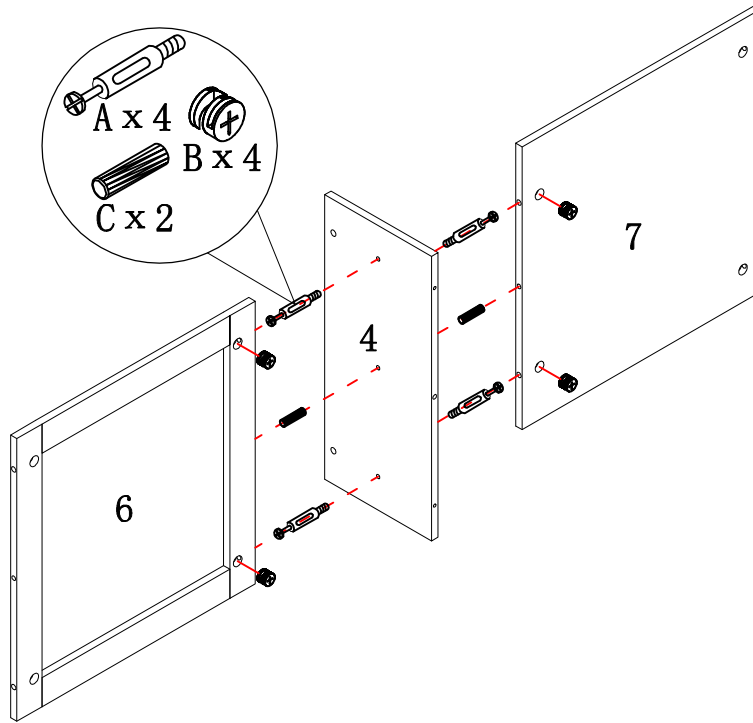
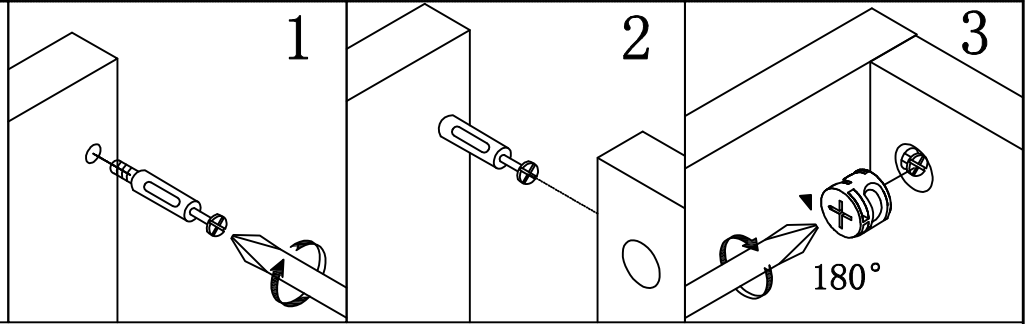
ITEM#: 151345CT

A		L29	32PCS
B		ø15	32PCS
C		ø8x25	20PCS
D		L24	16PCS
E		ø12	16PCS
F		ø6x30	8PCS
G			4PCS
H		M4x22 (BK)	4PCS
I		M7x48	4PCS
J		ø4x40	2PCS
K		M6x30	4PCS
L		ø8xø16x2	8PCS
M		ø20 (BLK3)	16PCS
N		ø20 (DGY)	6PCS
O		ø16	4PCS
P		Glue: For securing please apply to wood dowel first before inserting into panel	1PC

ASSEMBLY INSTRUCTION

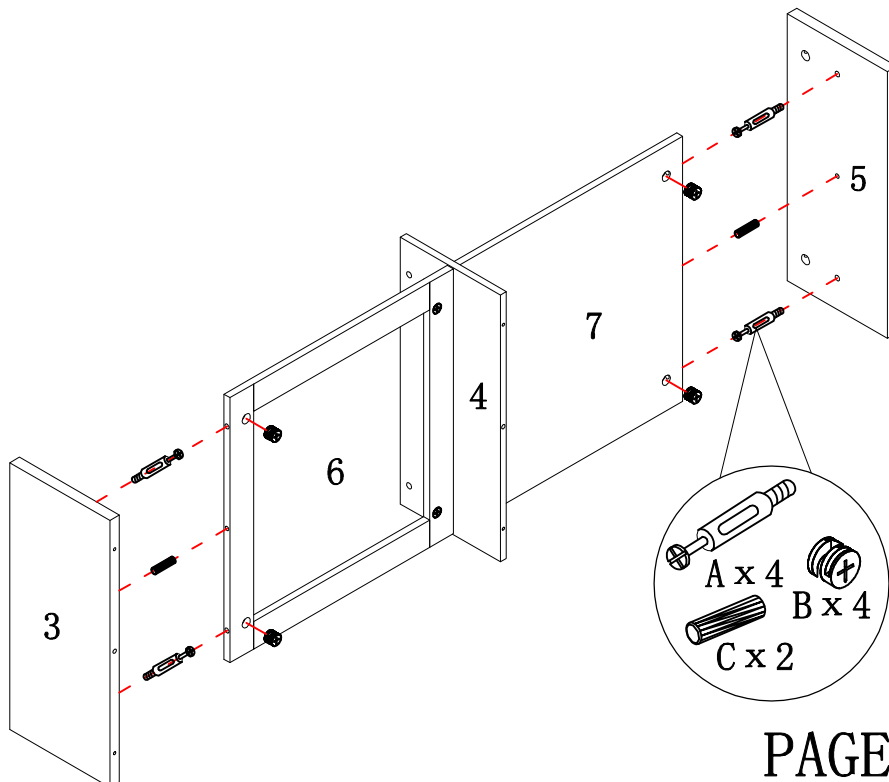
ITEM#: 151345CT

HOW TO



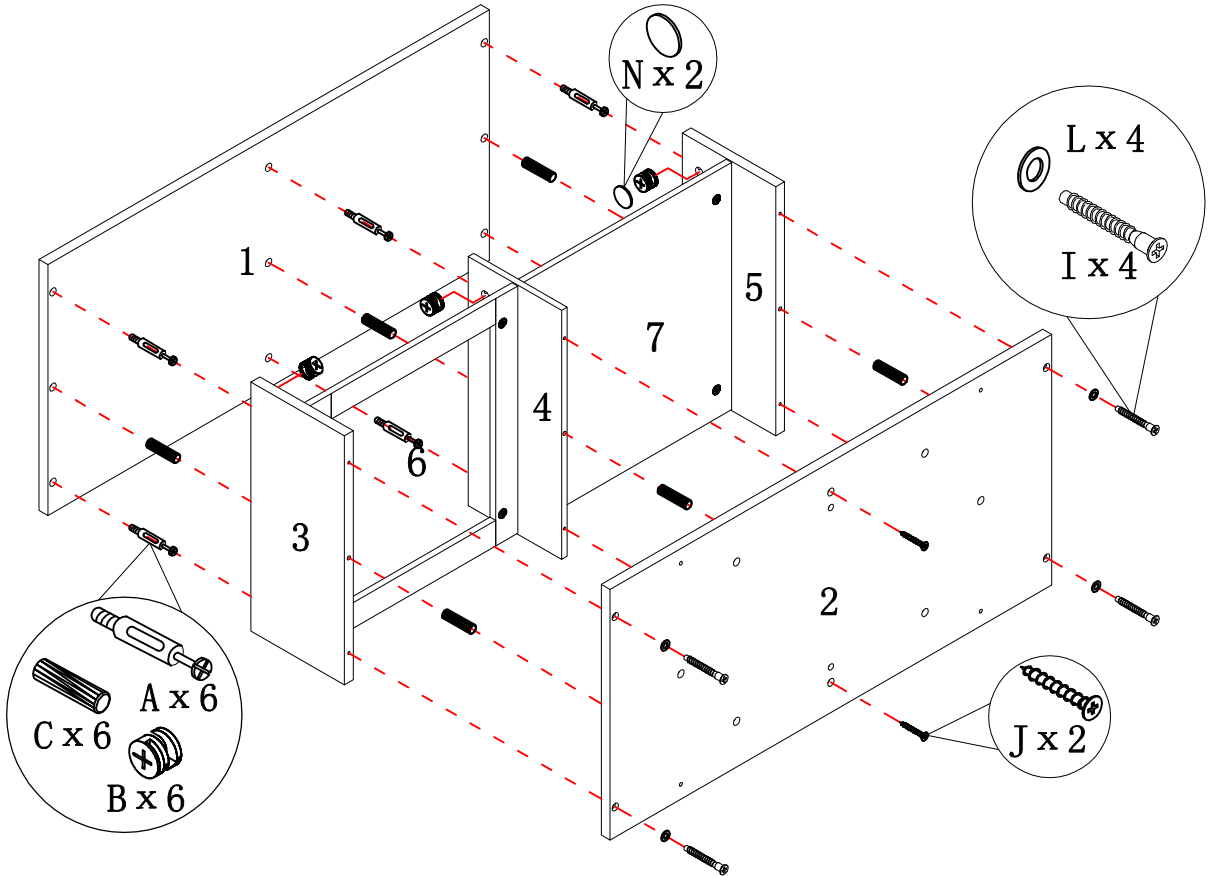
STEP 1

STEP 2



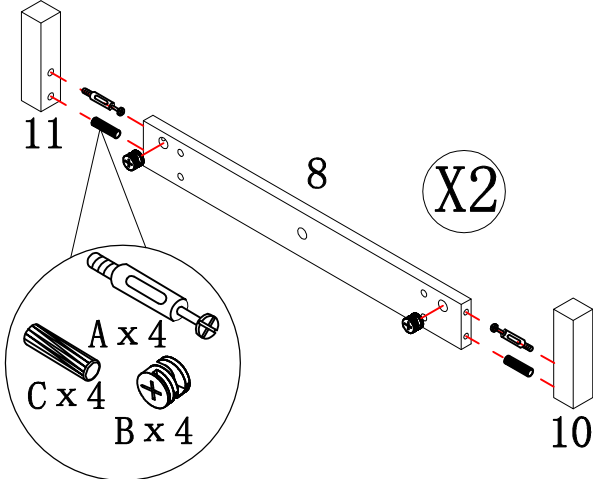
ASSEMBLY INSTRUCTION

ITEM#: 151345CT



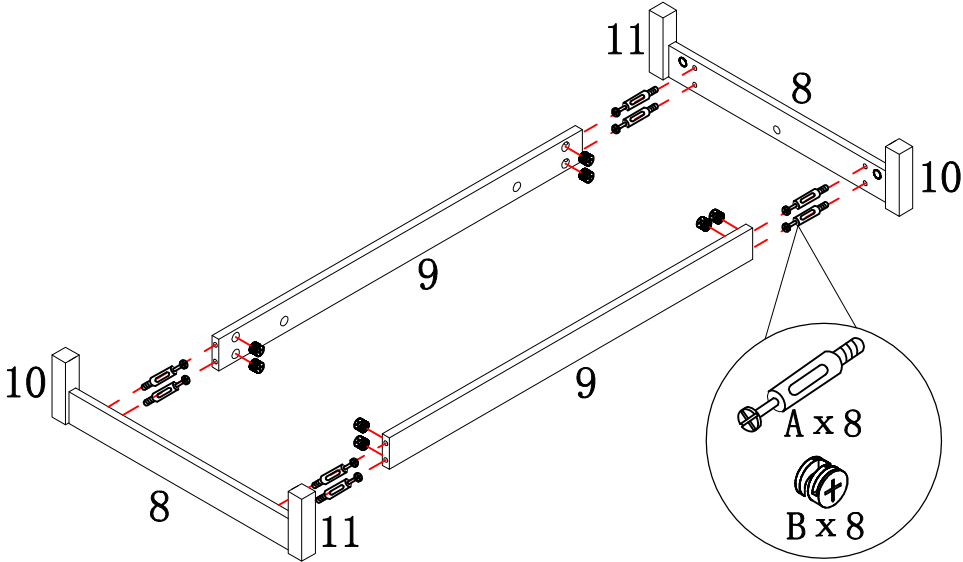
STEP3

STEP4



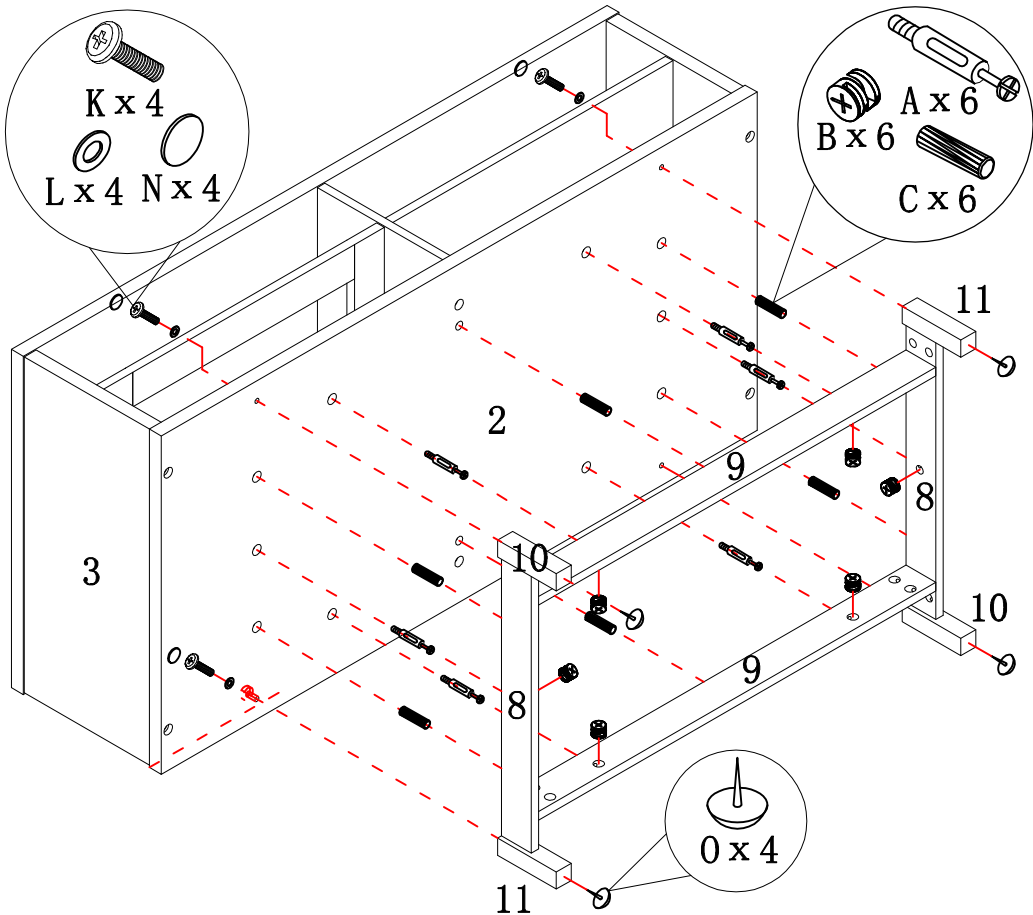
ASSEMBLY INSTRUCTION

ITEM#: 151345CT



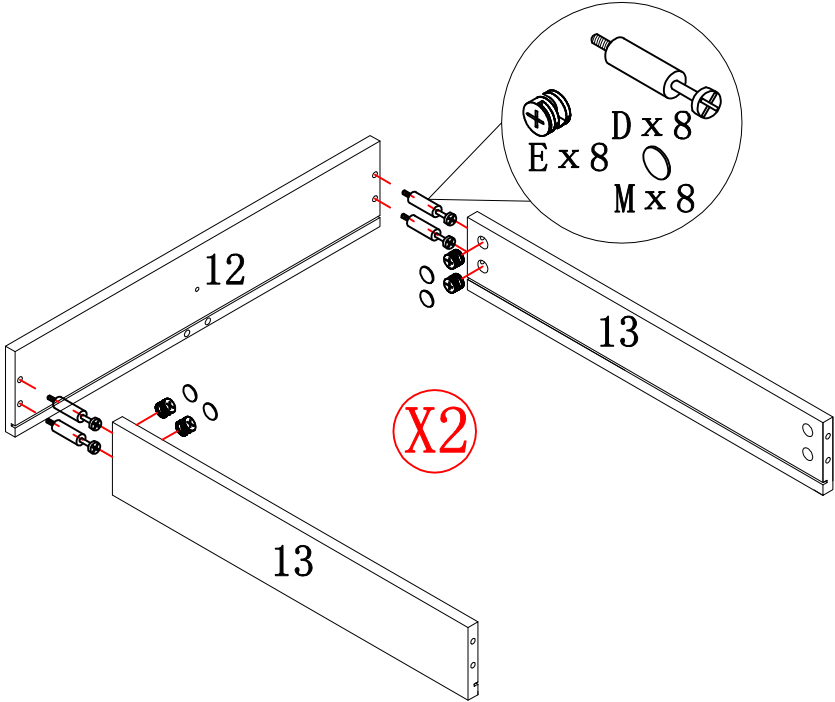
STEP5

STEP6



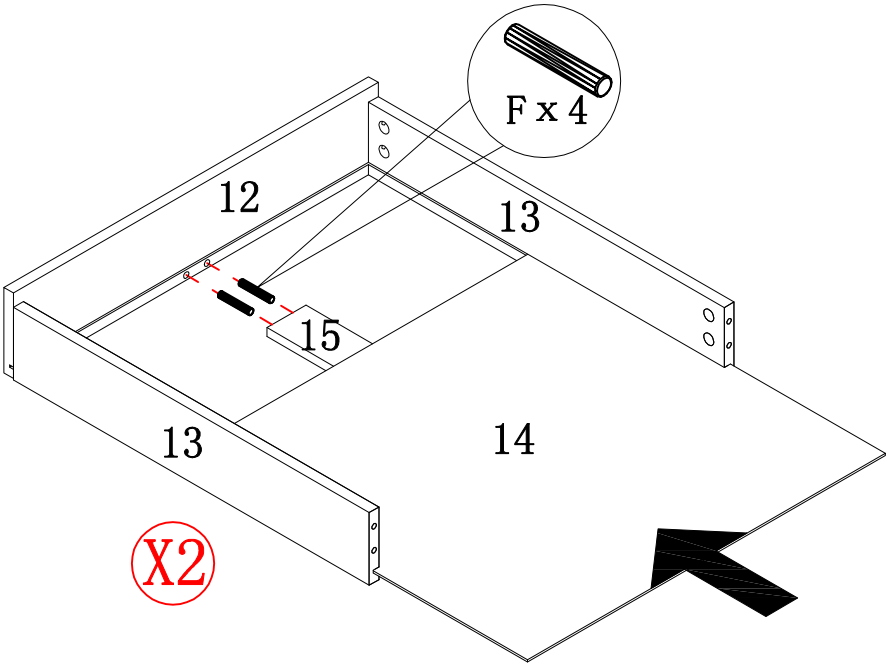
ASSEMBLY INSTRUCTION

ITEM#: 151345CT



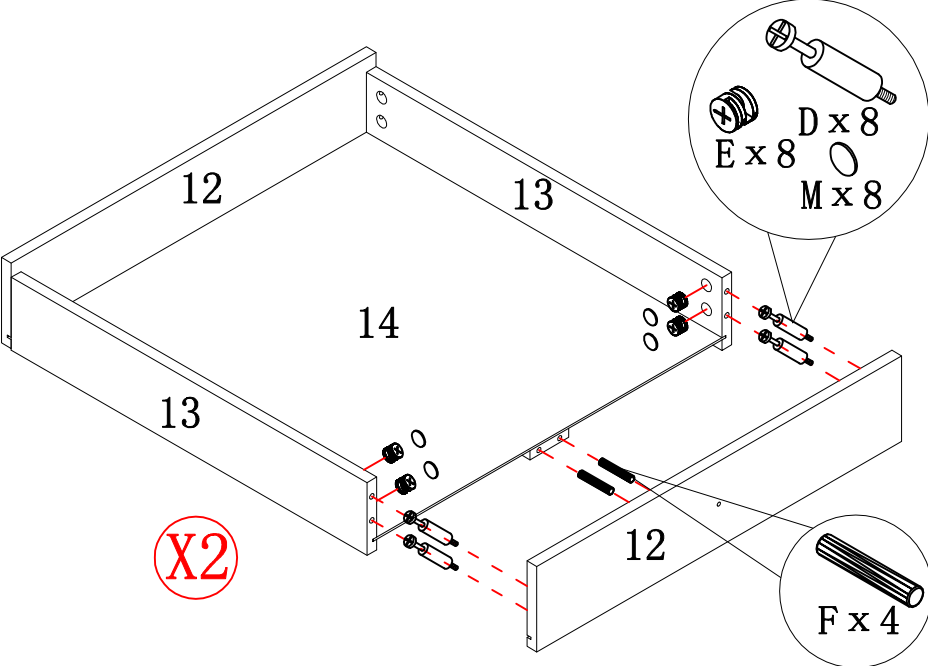
STEP7

STEP8



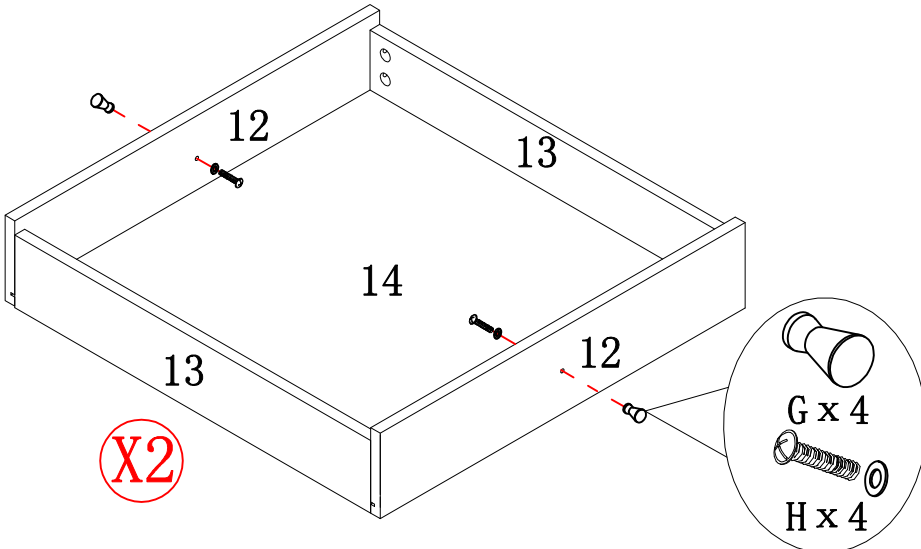
ASSEMBLY INSTRUCTION

ITEM#: 151345CT



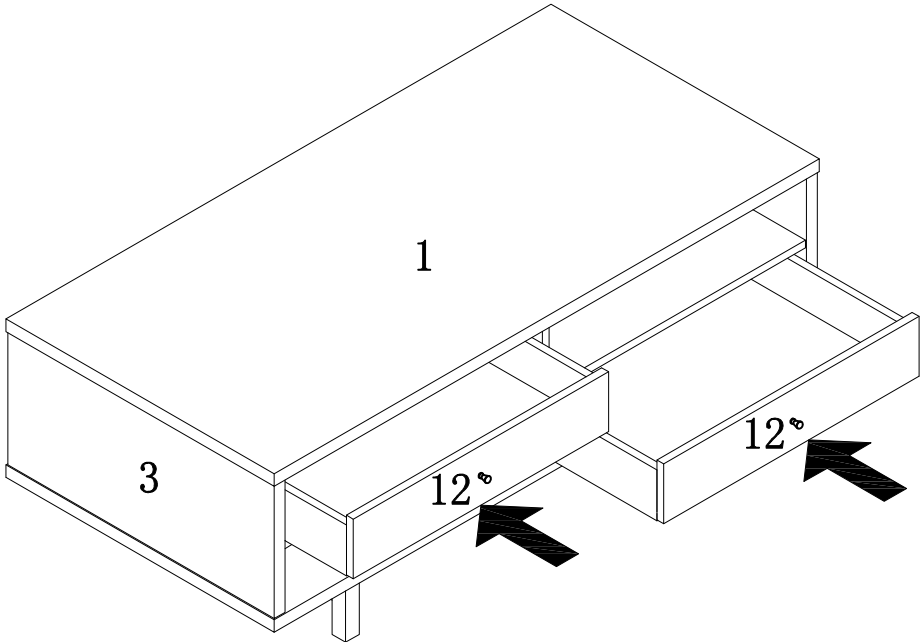
STEP9

STEP10



ASSEMBLY INSTRUCTION

ITEM#: 151345CT



STEP 11

STEP 12

