

ASSEMBLY INSTRUCTION

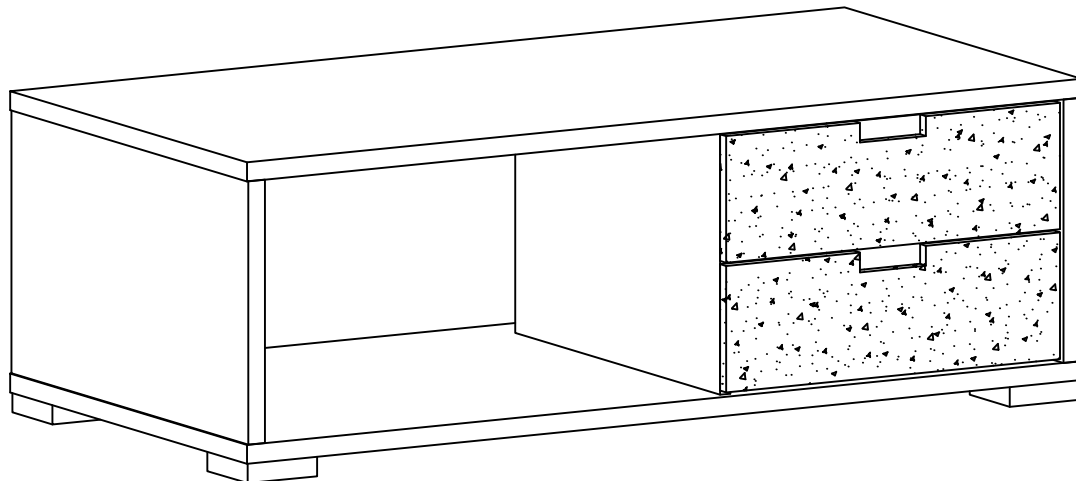
PLEASE READ BEFORE ASSEMBLING!

Tip #1: Make sure you've taken all the pieces and hardware out of its packaging before discarding the box.

Tip #2: Using page 2 and/or page 3 of instruction manual make sure all pieces and hardware are accounted for.

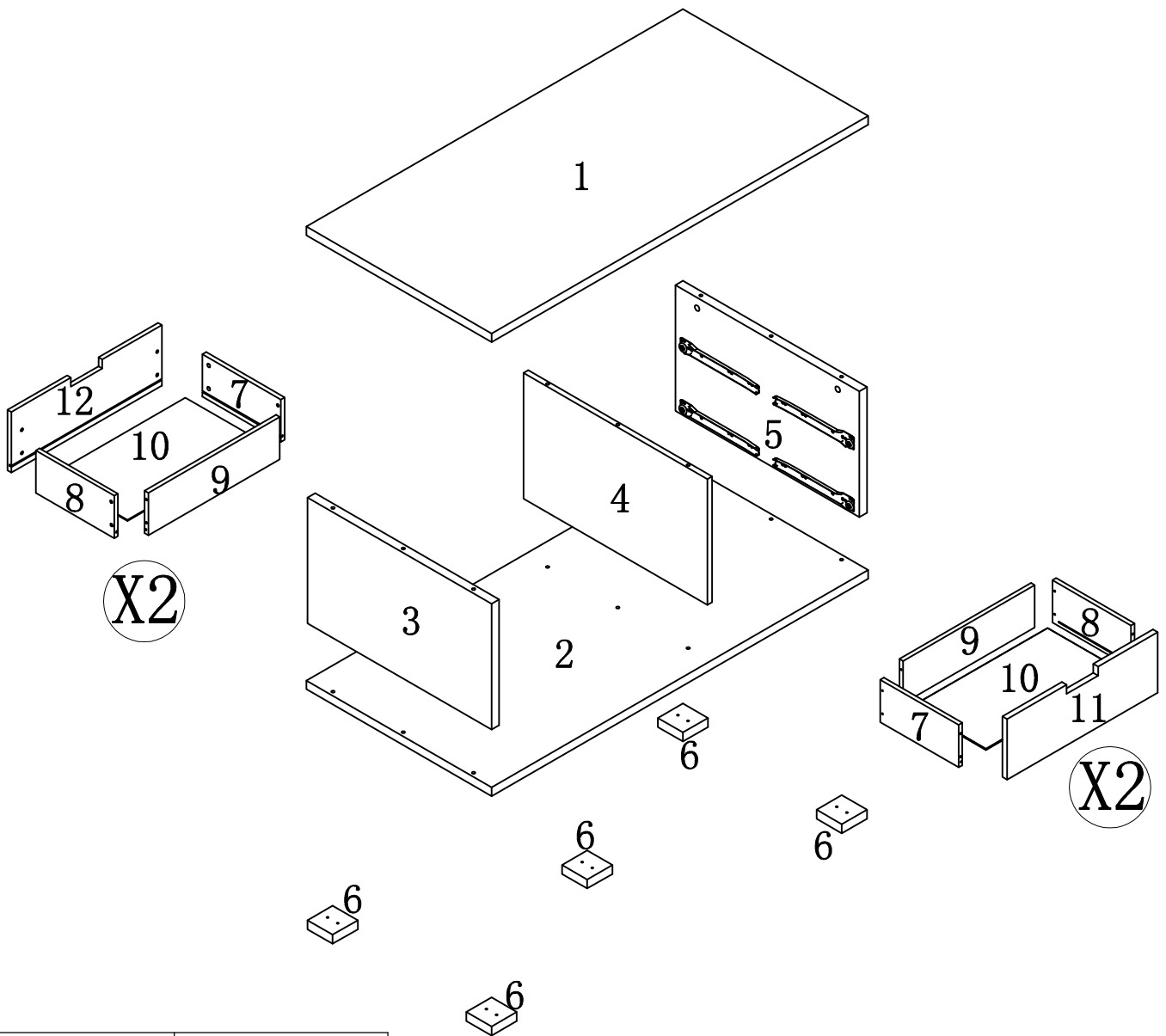
Tip #3: Notice position of holes/features on the panels and lay out according to diagram.

ITEM#: 151347CT



PARTS IDENTIFICATION





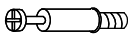
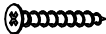
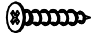





ITEM#: 151347CT



(1)	1pc	(9)	4pcs
(2)	1pc	(10)	4pcs
(3)	1pc	(11)	2pcs
(4)	1pc	(12)	2pcs
(5)	1pc		
(6)	5pcs		
(7)	4pcs		
(8)	4pcs		

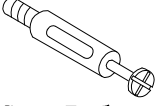

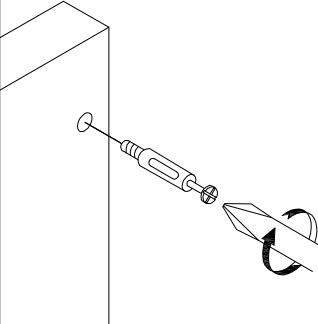
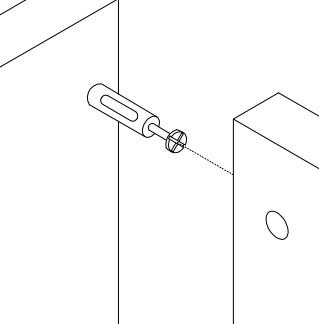
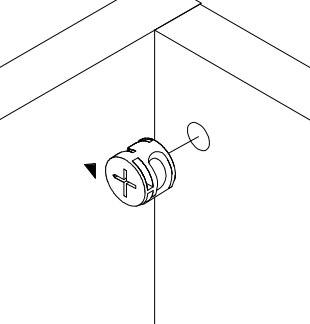
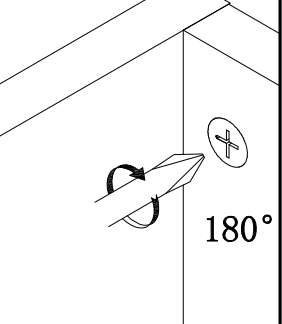
HARDWARE IDENTIFICATION

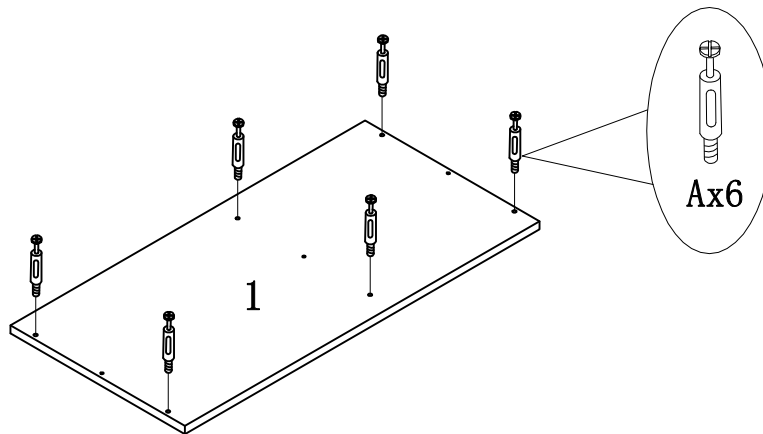
ITEM#: 151347CT

A		L29	6pcs
B		Ø15	6pcs
C		Ø8x25	6pcs
D		Ø12	16pcs
E		L20	16pcs
F		Ø4x40	12pcs
G		Ø4x30	16pcs
H		M7x48	4pcs
I		Ø20	2pcs
J		Ø16	5pcs
K		Ø8xØ16x2	4pcs
L		Glue: For securing please apply to wood dowel first before inserting into panel	1pcs

ASSEMBLY INSTRUCTION

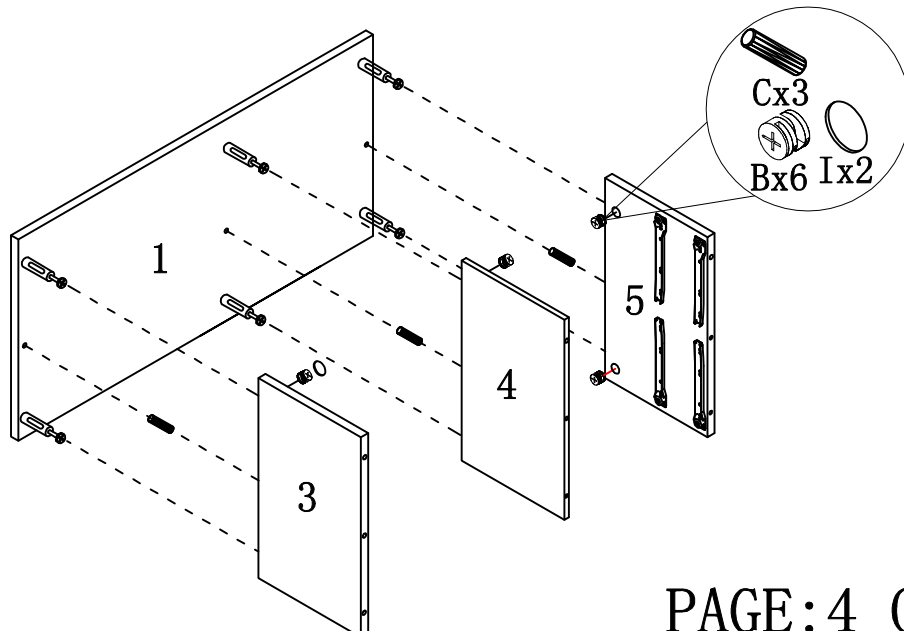
ITEM#: 151347CT

HOW TO	1	2	3	4
 <p>Cam Bolt</p>  <p>Cam Lock</p>	 <p>1. Screw Cam Bolt into panel.</p>	 <p>2. Insert Cam Bolt into bolt hole of joining panel.</p>	 <p>3. Insert Cam Lock. arrow facing bolt.</p>	 <p>4. Gently turn Cam Lock clockwise to lock position.</p>



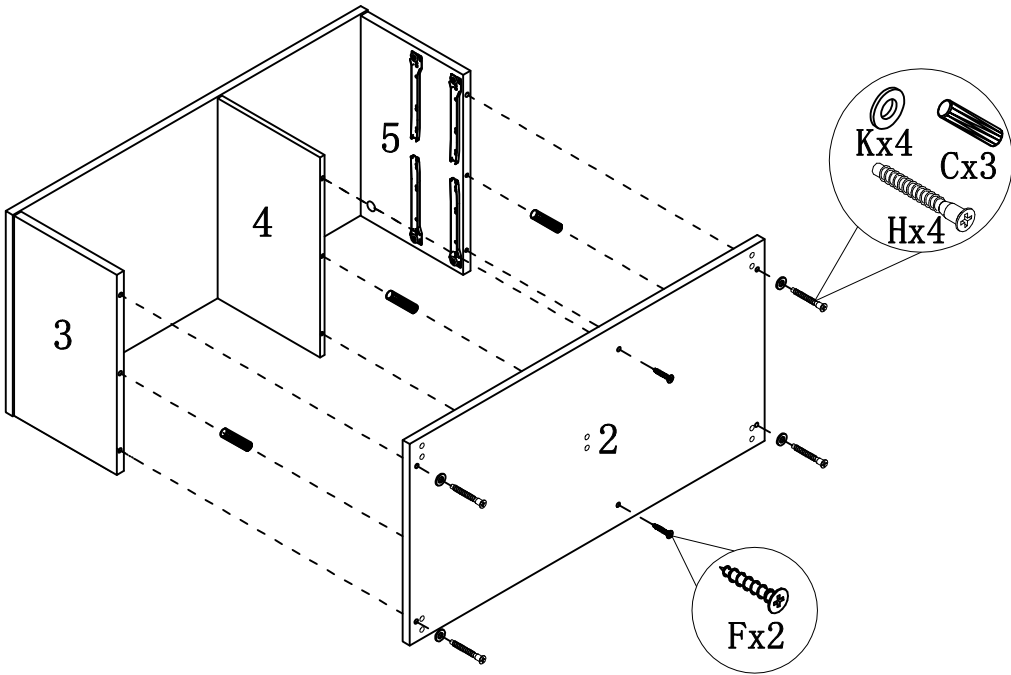
STEP 1

STEP 2



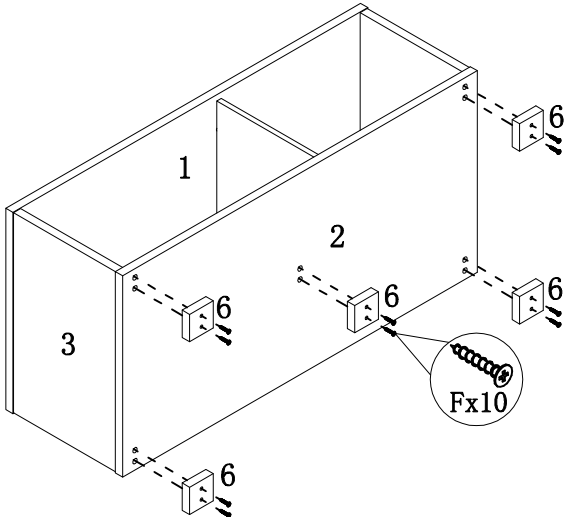
ASSEMBLY INSTRUCTION

ITEM#: 151347CT



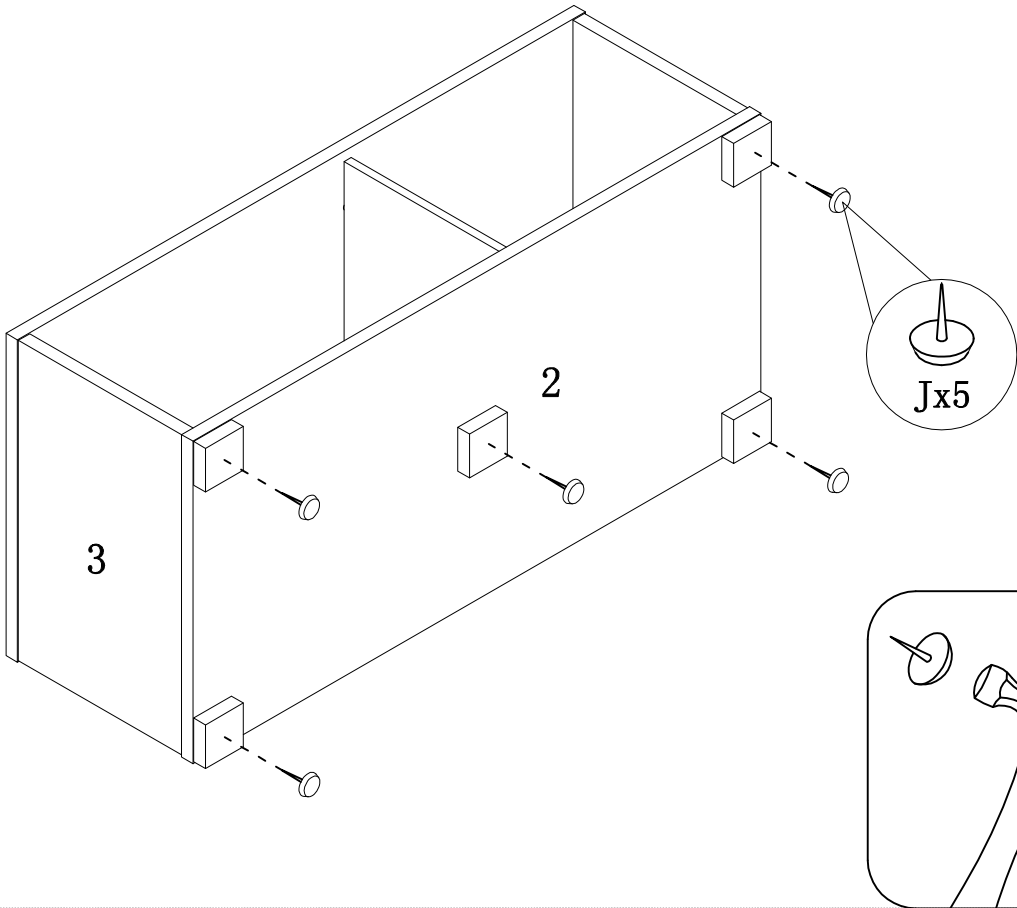
STEP3

STEP4



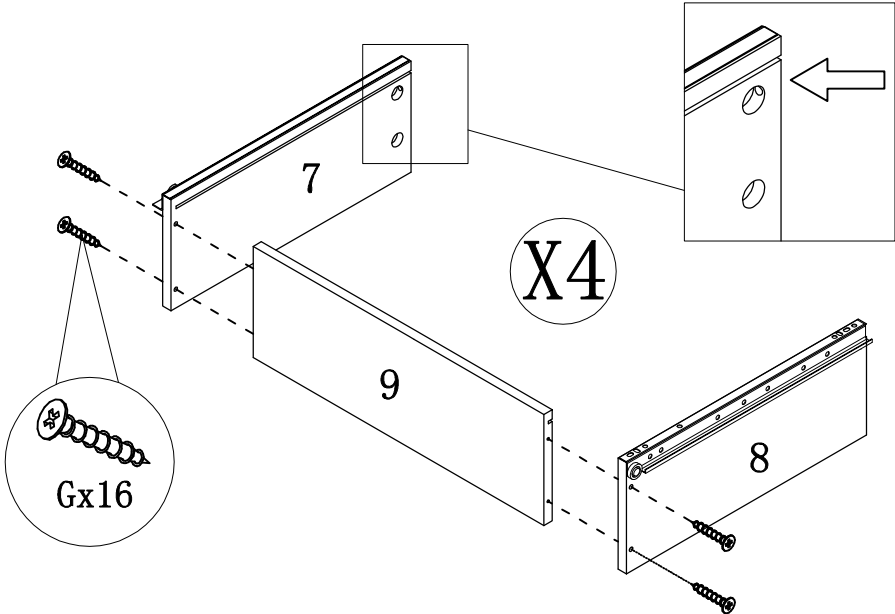
ASSEMBLY INSTRUCTION

ITEM#: 151347CT



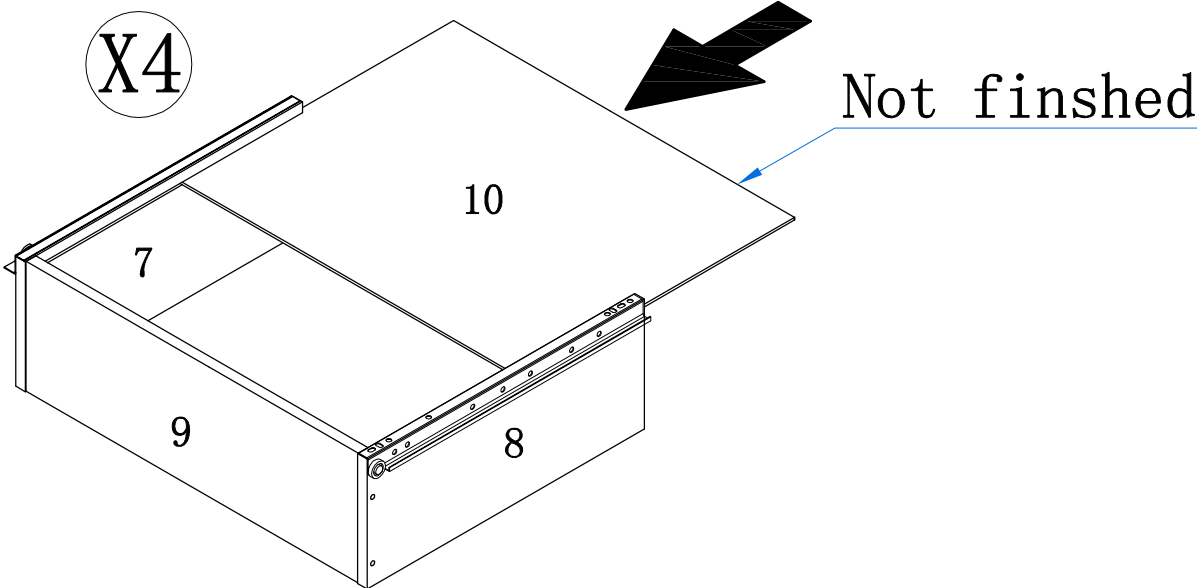
STEP5

STEP6



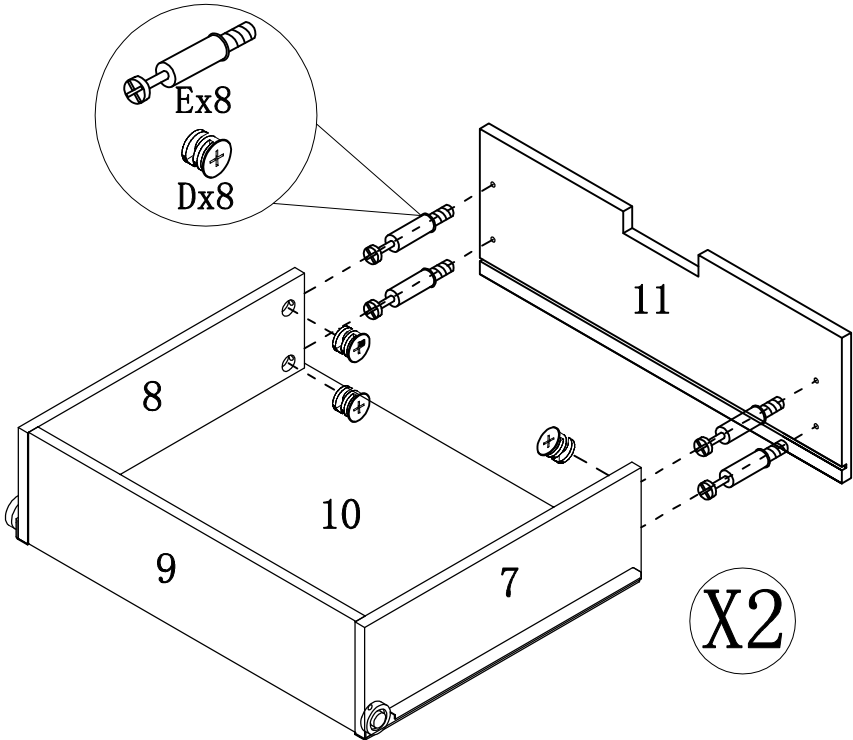
ASSEMBLY INSTRUCTION

ITEM#: 151347CT



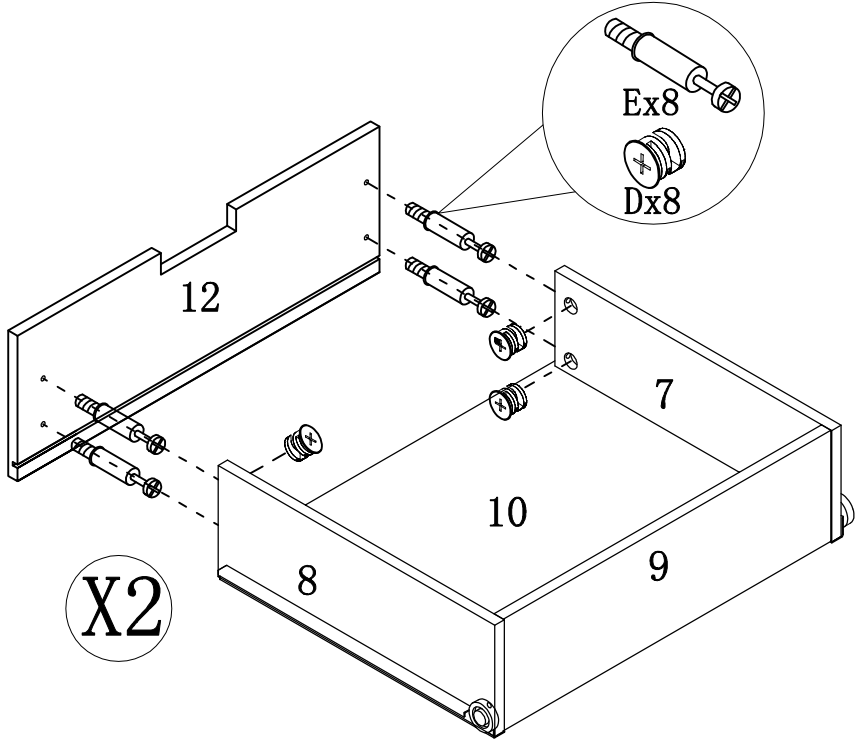
STEP7

STEP8



ASSEMBLY INSTRUCTION

ITEM#: 151347CT



STEP9

STEP10

