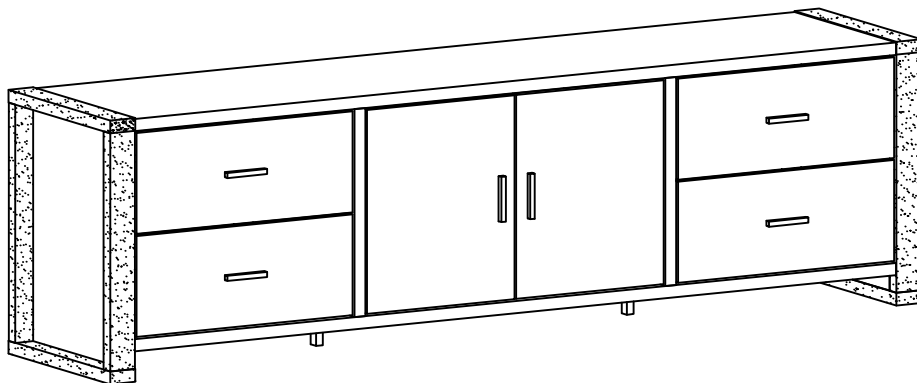


ASSEMBLY INSTRUCTION

ITEM#: 151355



ASSEMBLY INSTRUCTION

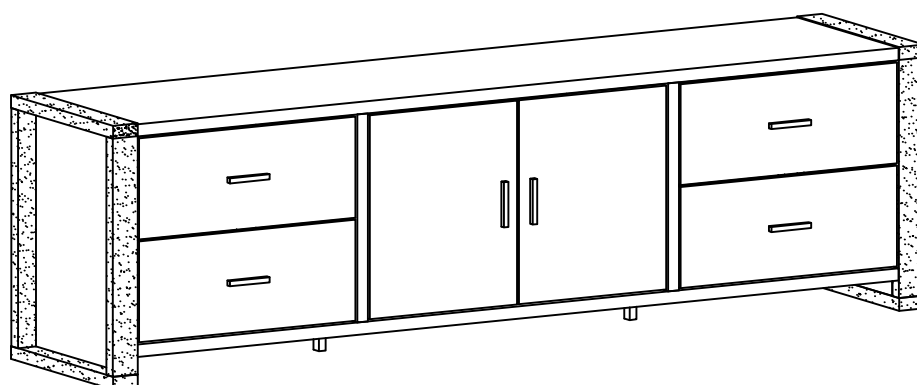
PLEASE READ BEFORE ASSEMBLING!

Tip #1: Make sure you've taken all the pieces and hardware out of its packaging before discarding the box.

Tip #2: Using page 2 and/or page 3 of instruction manual make sure all pieces and hardware are accounted for.

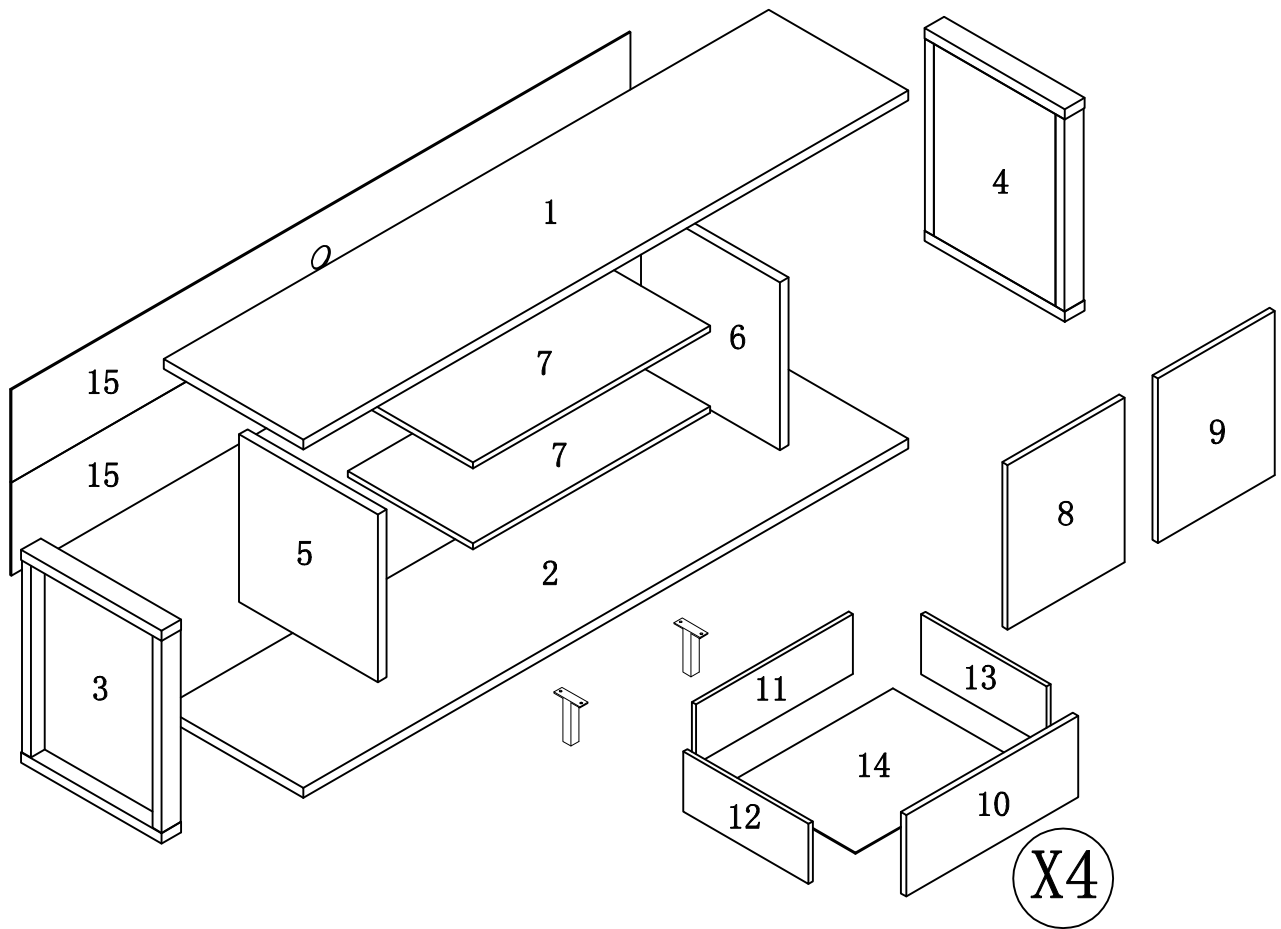
Tip #3: Read manual before assembling, it helps!

ITEM#: 151355



PARTS IDENTIFICATION




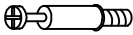


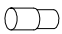
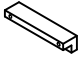


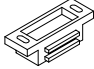



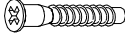



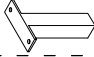

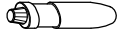
ITEM#: 151355



(1)	1pc	(10)	4pcs
(2)	1pc	(11)	4pcs
(3)	1pc	(12)	4pcs
(4)	1pc	(13)	4pcs
(5)	1pc	(14)	4pcs
(6)	1pc	(15)	2pcs
(7)	2pcs		
(8)	1pc		
(9)	1pc		

HARDWARE IDENTIFICATION

ITEM#: 151355

A		L=29	12pcs
B		φ15	12pcs
C		φ8x25	8pcs
D		L20	16pcs
E		φ 12	16pcs
F		φ4x30	16pcs
G		φ5	8pcs
H		96#	6pcs
I		M4x22	12pcs
J			2pcs
K			2pcs
L		φ3x16	4pcs
M		φ3x14	4pcs
N			2pcs
O		φ7x48	4pcs
P		φ8x16x2	4pcs
Q			40pcs
R		φ16	4pcs
S		80x25x62H	2pcs
T		φ4x16	4pcs
U		Glue: For securing please apply to wood dowel first before inserting into panel	1pc

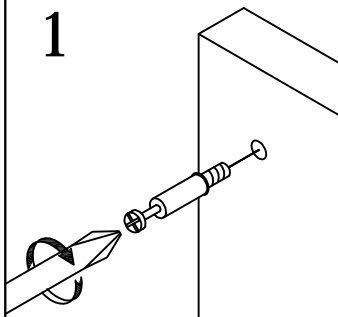
ASSEMBLY INSTRUCTION

ITEM#: 151355

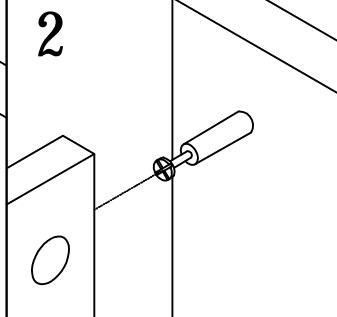
HOW TO



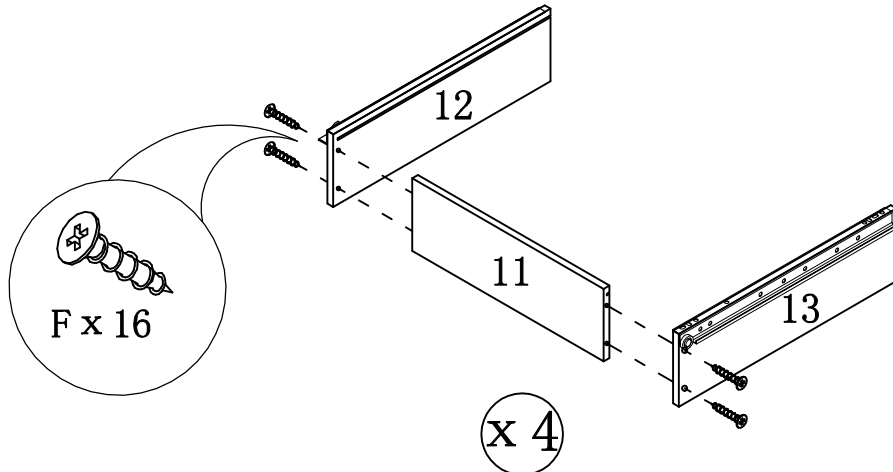
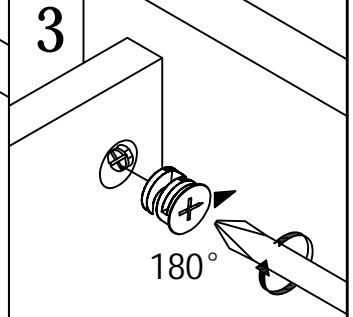
1



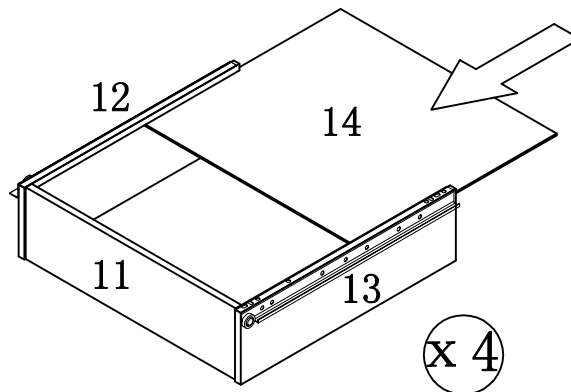
2



3

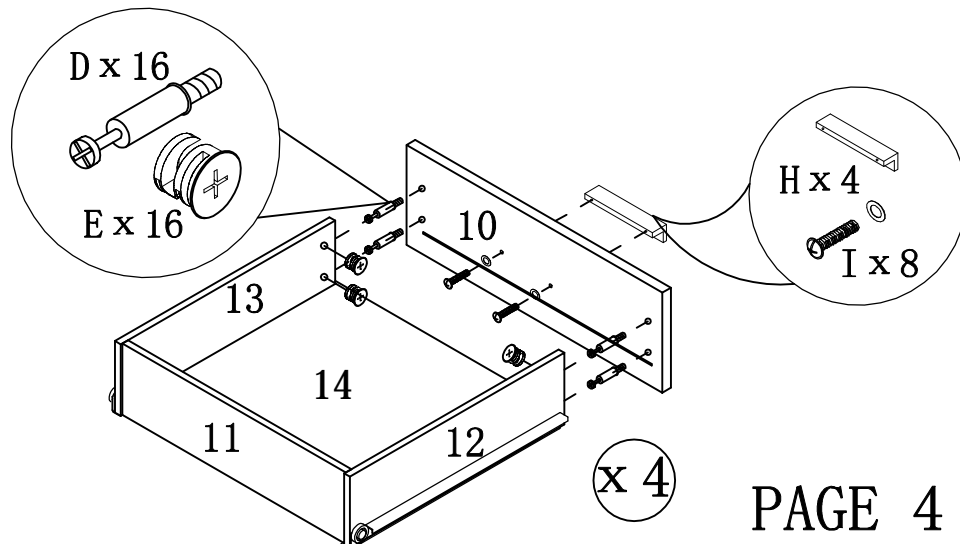


STEP 1



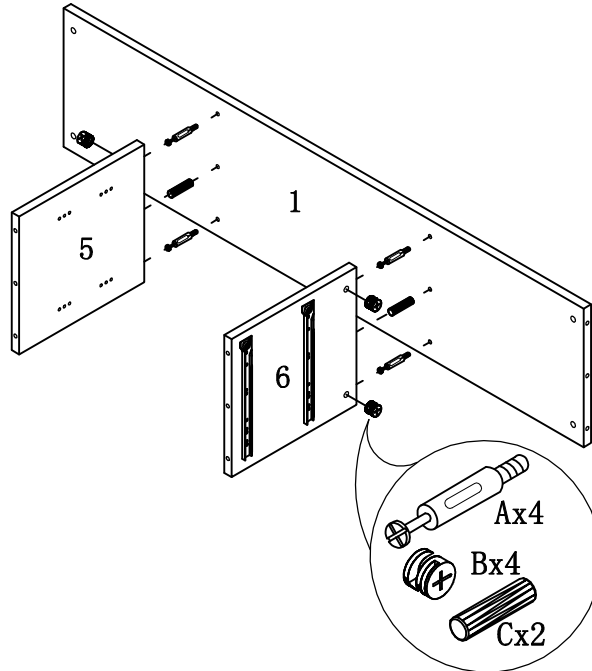
STEP 2

STEP 3



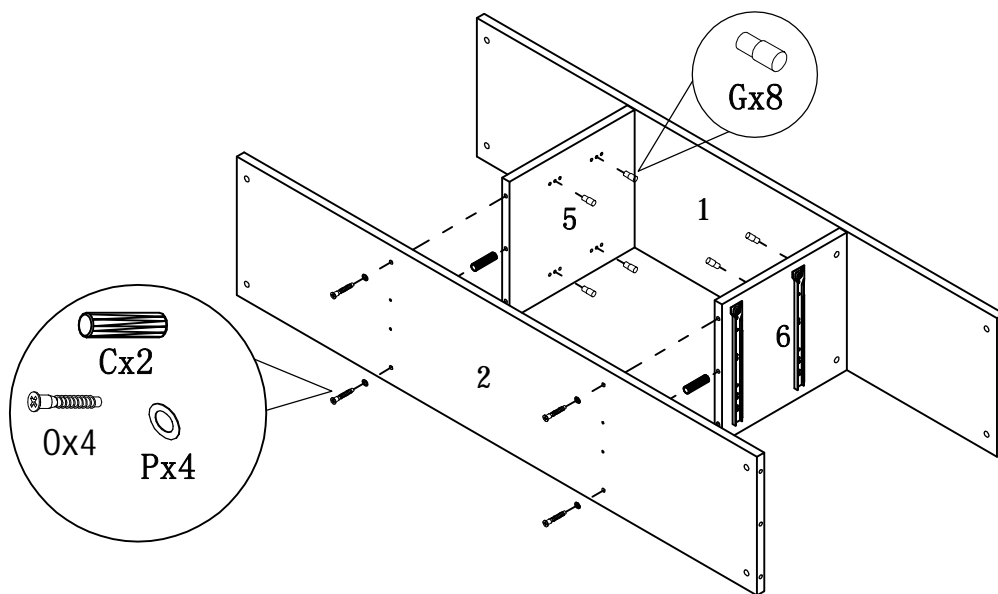
ASSEMBLY INSTRUCTION

ITEM#: 151355



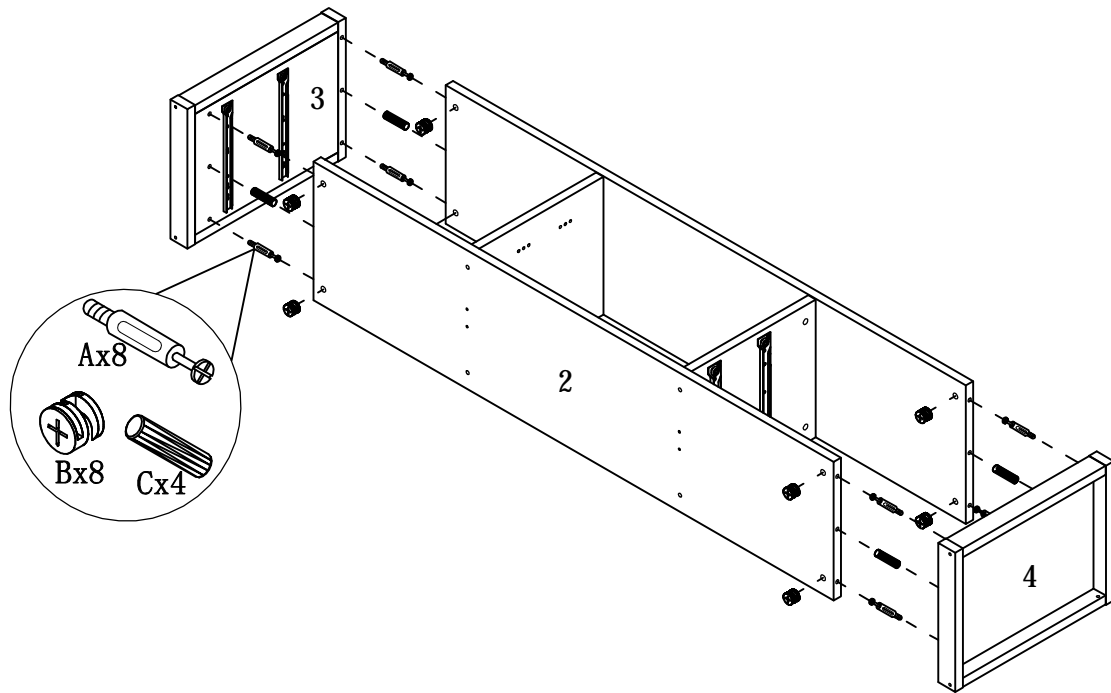
STEP 4

STEP 5



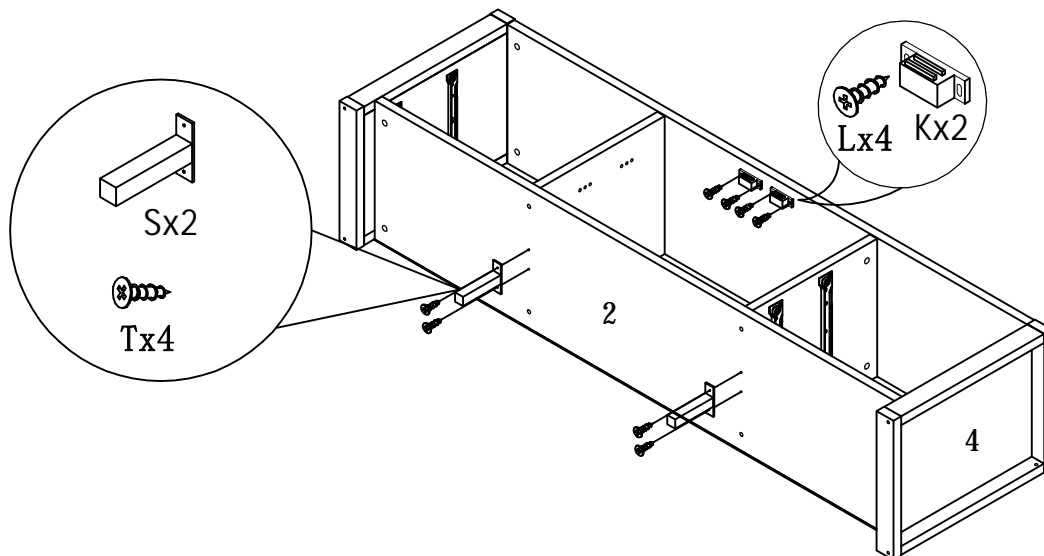
ASSEMBLY INSTRUCTION

ITEM#: 151355



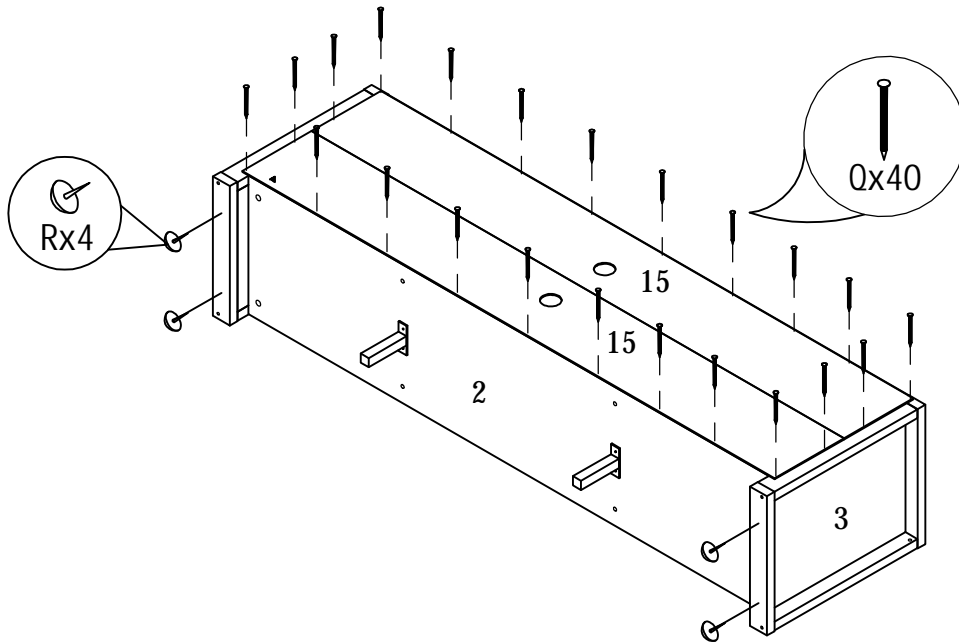
STEP 6

STEP 7



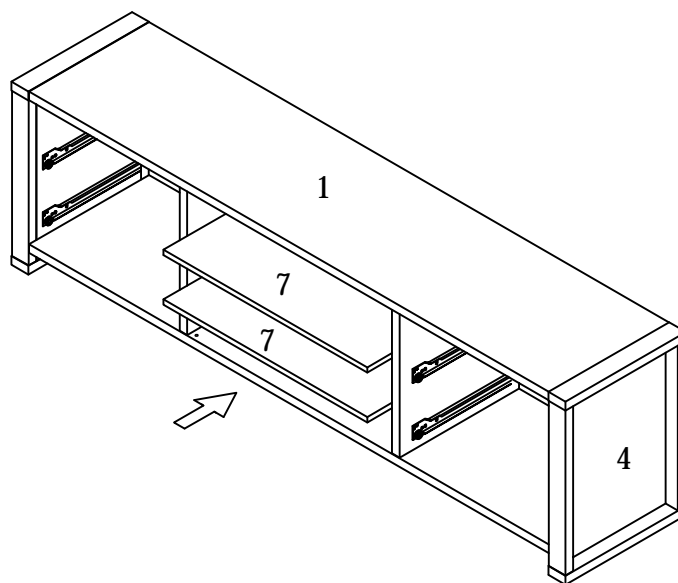
ASSEMBLY INSTRUCTION

ITEM#: 151355



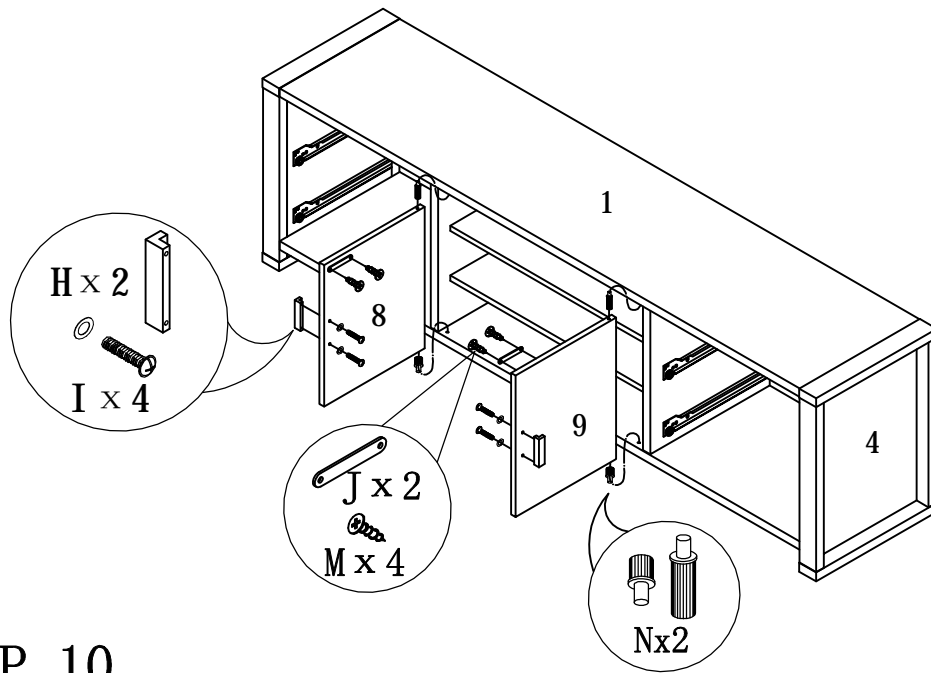
STEP 8

STEP 9



ASSEMBLY INSTRUCTION

ITEM#: 151355



STEP 10

STEP 11

