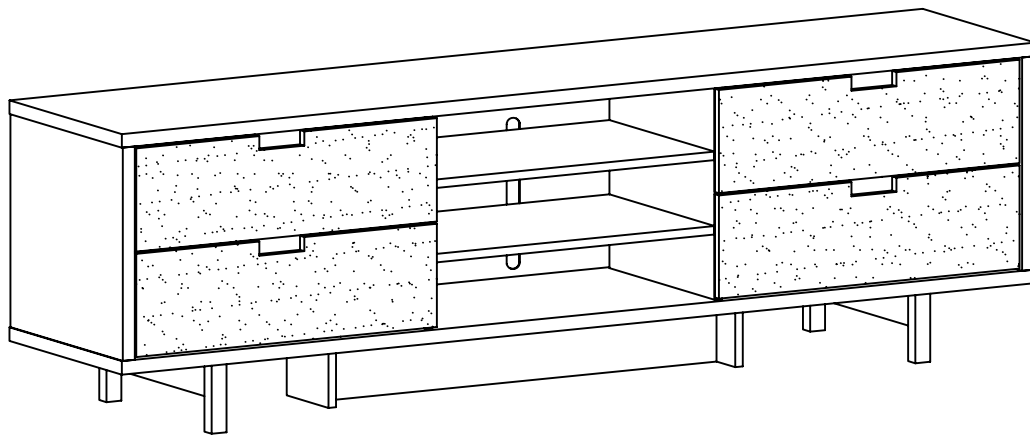


ASSEMBLY INSTRUCTION

ITEM#: 151359



ASSEMBLY INSTRUCTION

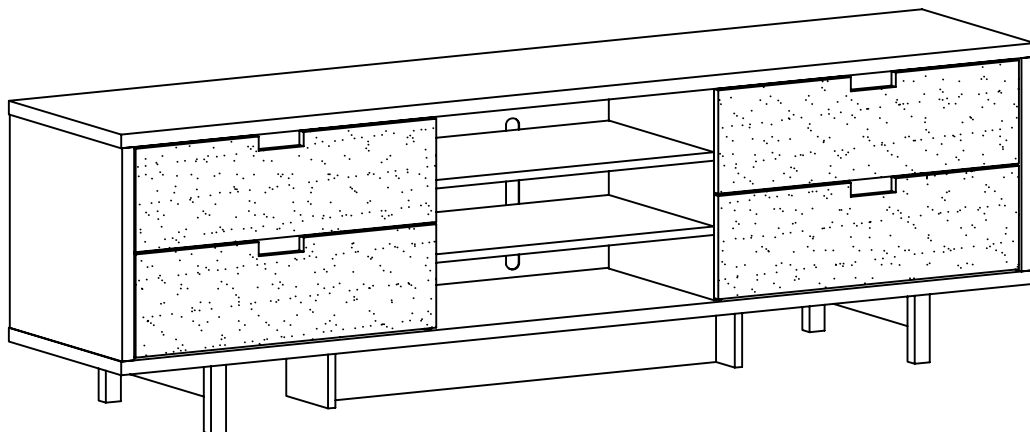
PLEASE READ BEFORE ASSEMBLING!

Tip #1: Make sure you've taken all the pieces and hardware out of its packaging before discarding the box.

Tip #2: Using page 2 and/or page 3 of instruction manual make sure all pieces and hardware are accounted for.

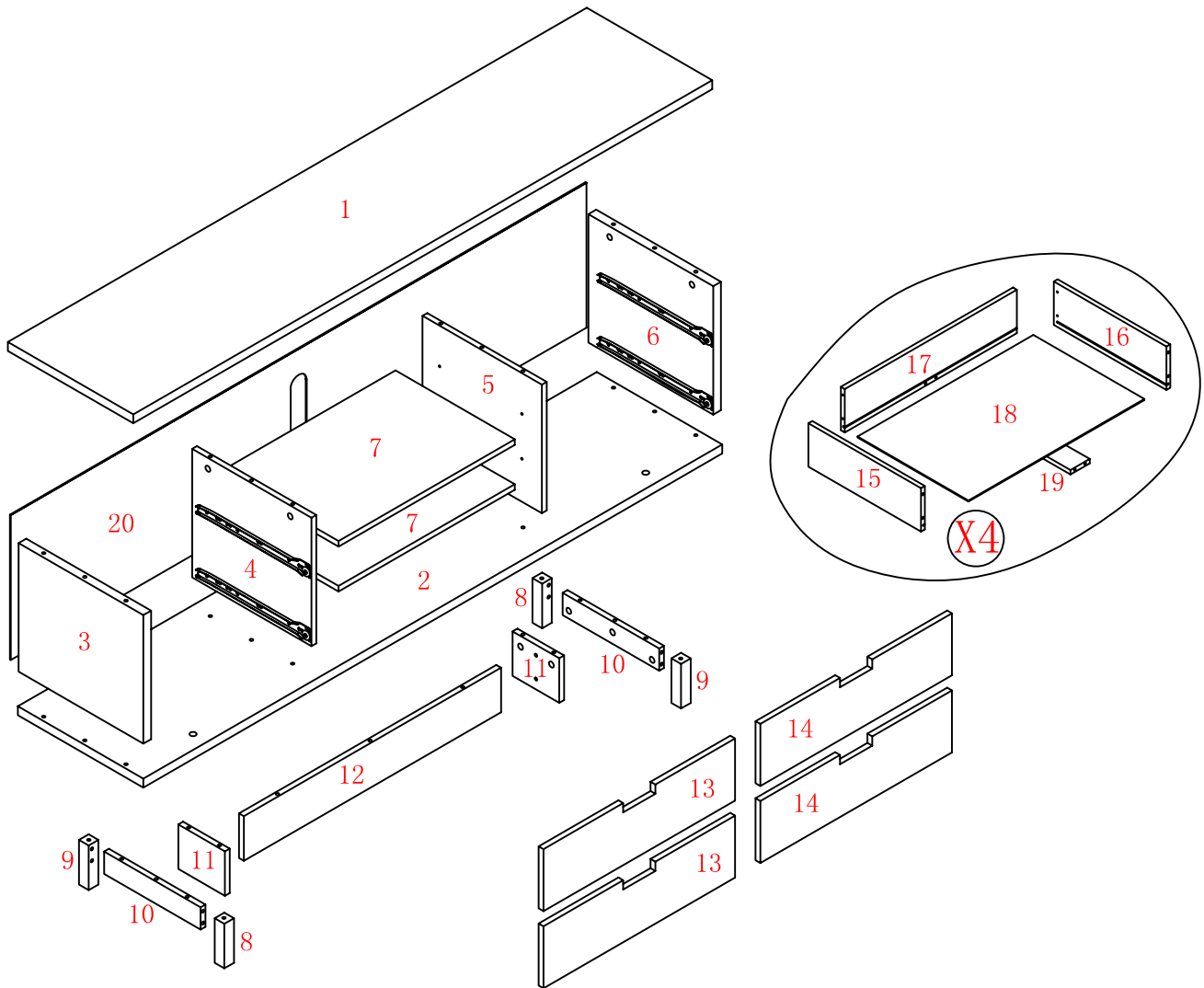
Tip #3: Read manual before assembling, it helps!

ITEM#: 151359



PARTS IDENTIFICATION

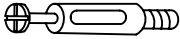

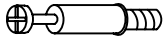



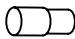

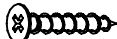

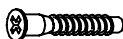


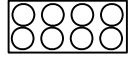



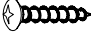

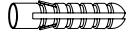

ITEM#: 151359



(1)	1pc	(8)	2pcs	(15)	4pcs
(2)	1pc	(9)	2pcs	(16)	4pcs
(3)	1pc	(10)	2pcs	(17)	4pcs
(4)	1pc	(11)	2pcs	(18)	4pcs
(5)	1pc	(12)	1pc	(19)	4pcs
(6)	1pc	(13)	2pcs	(20)	1pc
(7)	2pcs	(14)	2pcs		

HARDWARE IDENTIFICATION

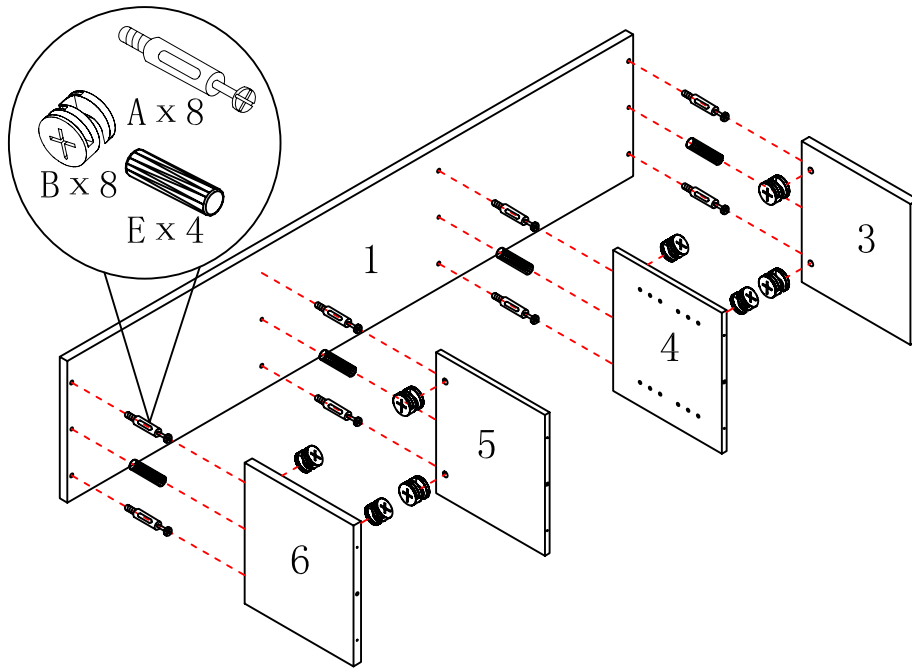
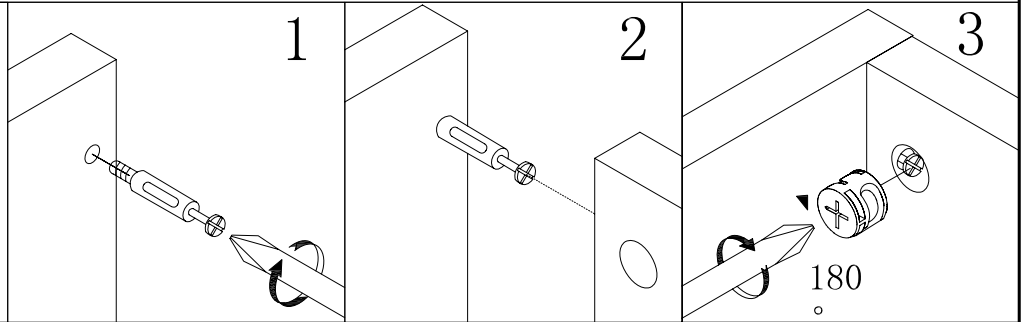
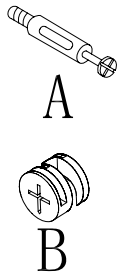
ITEM#: 151359

A		L29	23pcs
B		Ø15	23pcs
C		L20	16pcs
D		Ø12	16pcs
E		Ø8x25	18pcs
F		Ø6x30	8pcs
G		Ø5x15	8pcs
H			40pcs
I		Ø4x30	24pcs
J		Ø4x40	4pcs
K		M7x48	4pcs
L		M6x30	4pcs
M		Ø8xØ16x2	4pcs
N		Ø20	8pcs
O		Ø16	6pcs
P		197×5×1	1pc
Q		12×12×1	2pcs
R		Ø4X25	1pc
S		Ø5X40	1pc
T		Ø8X40	1pc
U		Glue: For securing please apply to wood dowel first before inserting into panel	1pc

ASSEMBLY INSTRUCTION

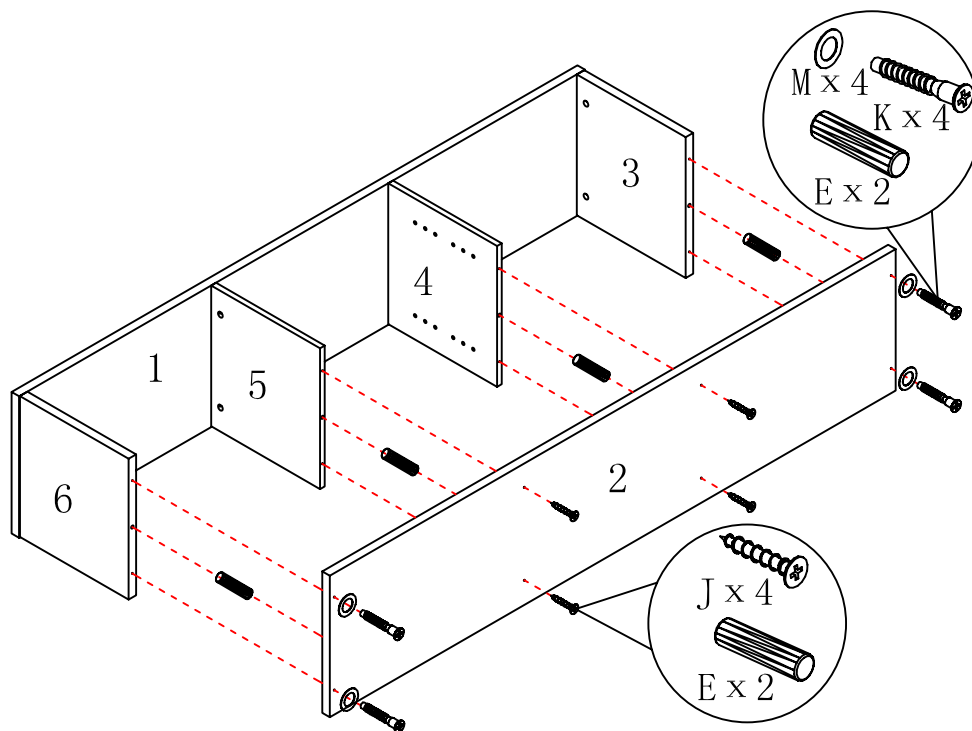
ITEM#: 151359

HOW TO



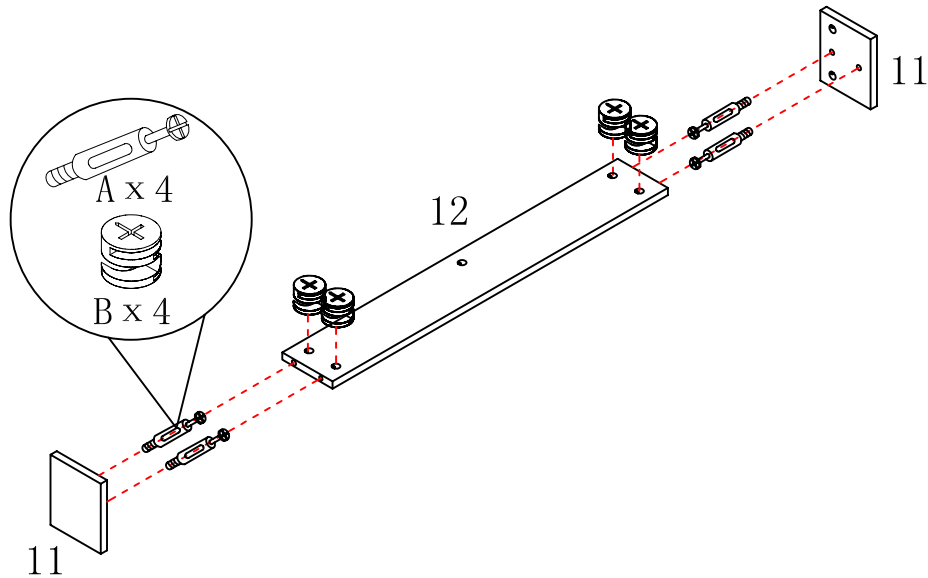
STEP 1

STEP 2



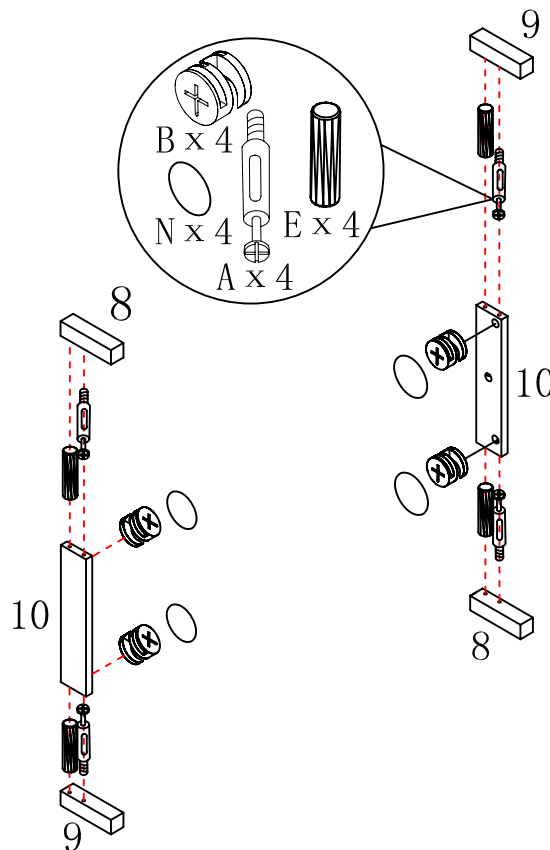
ASSEMBLY INSTRUCTION

ITEM#: 151359



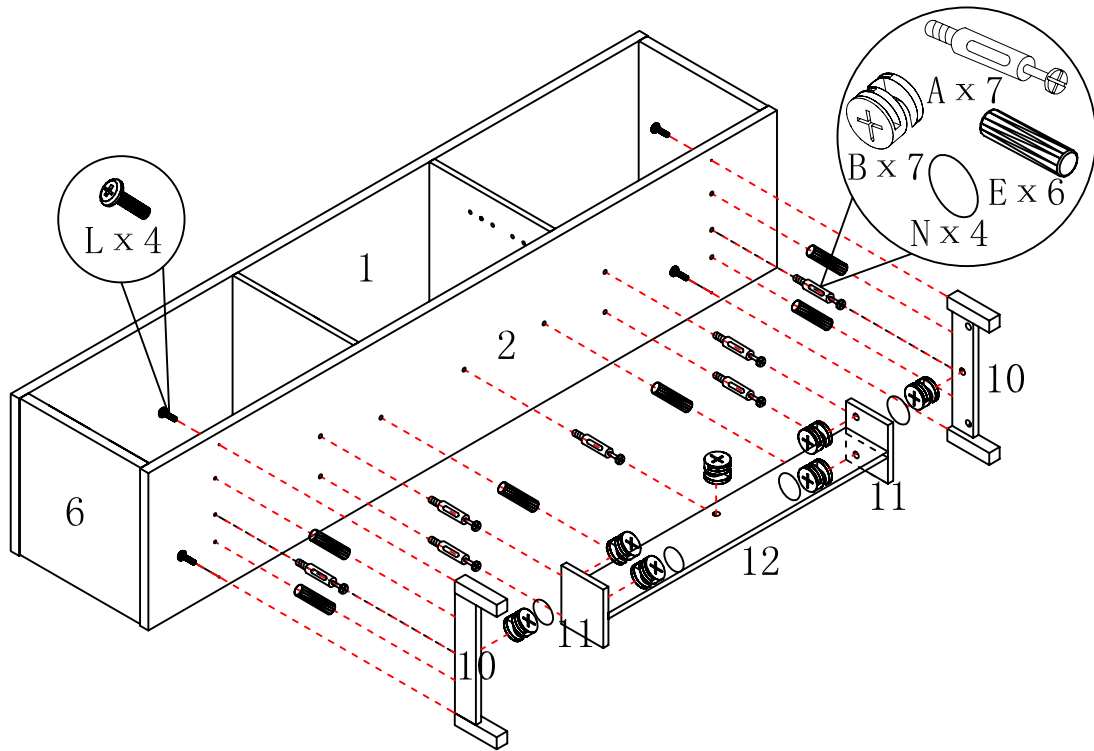
STEP3

STEP4



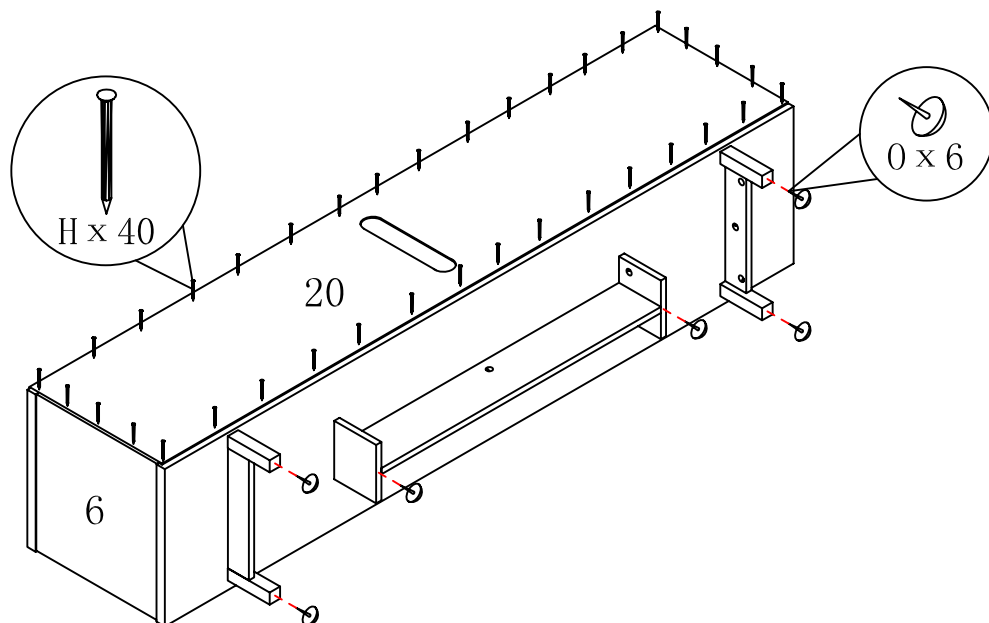
ASSEMBLY INSTRUCTION

ITEM#: 151359



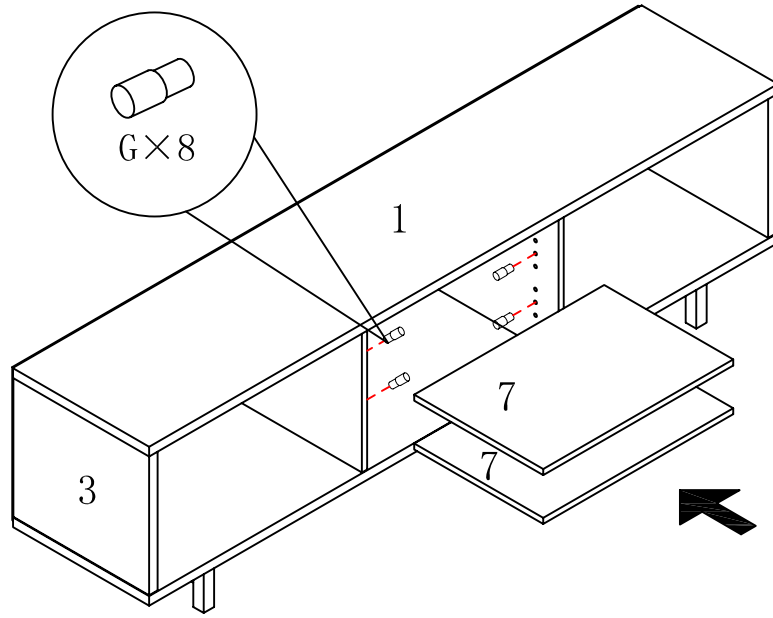
STEP5

STEP6



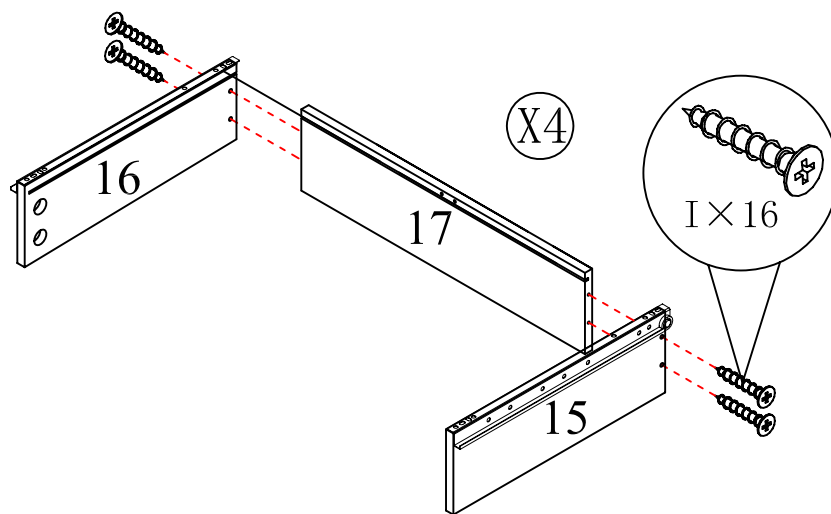
ASSEMBLY INSTRUCTION

ITEM#: 151359



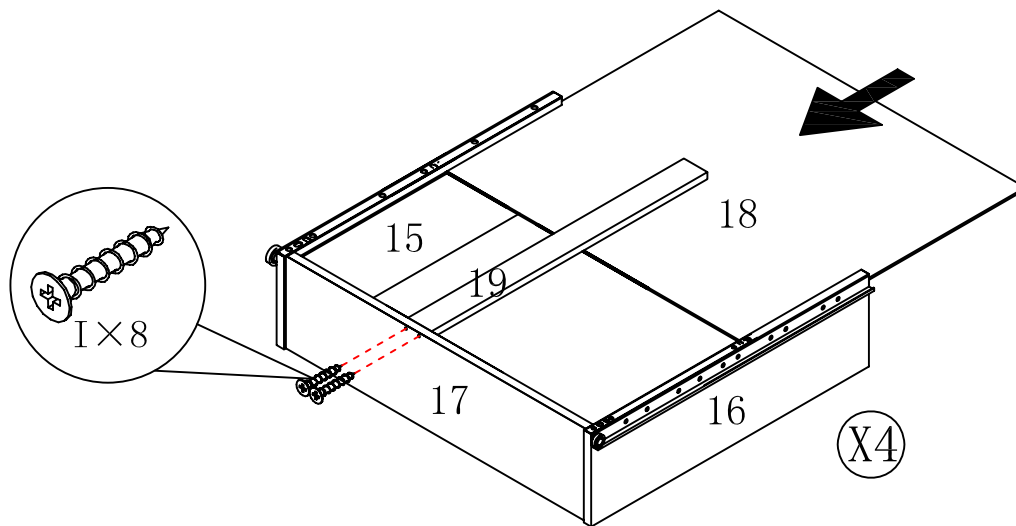
STEP 7

STEP 8



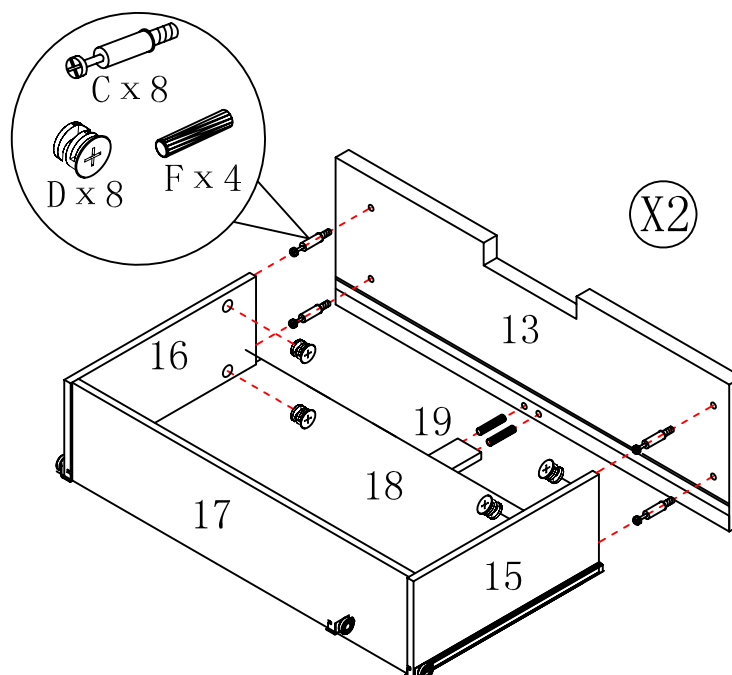
ASSEMBLY INSTRUCTION

ITEM#: 151359



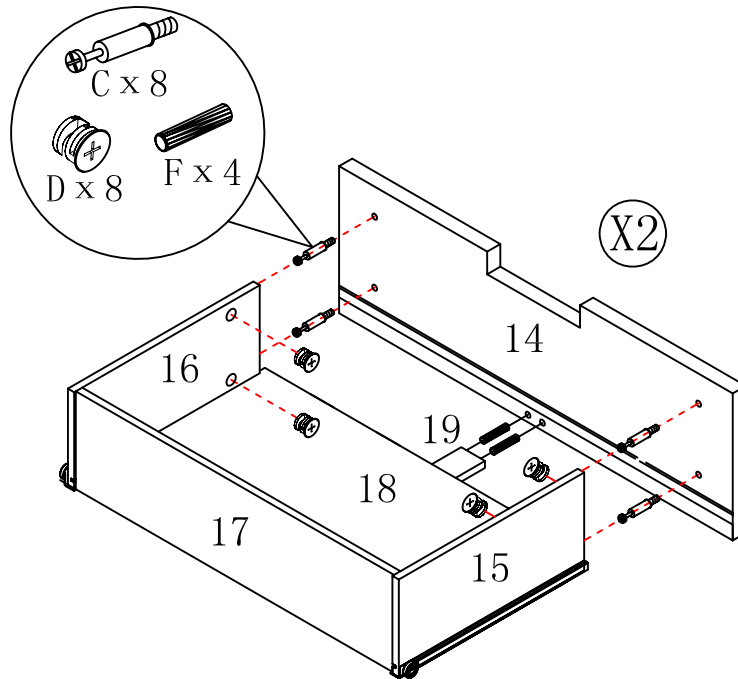
STEP9

STEP10



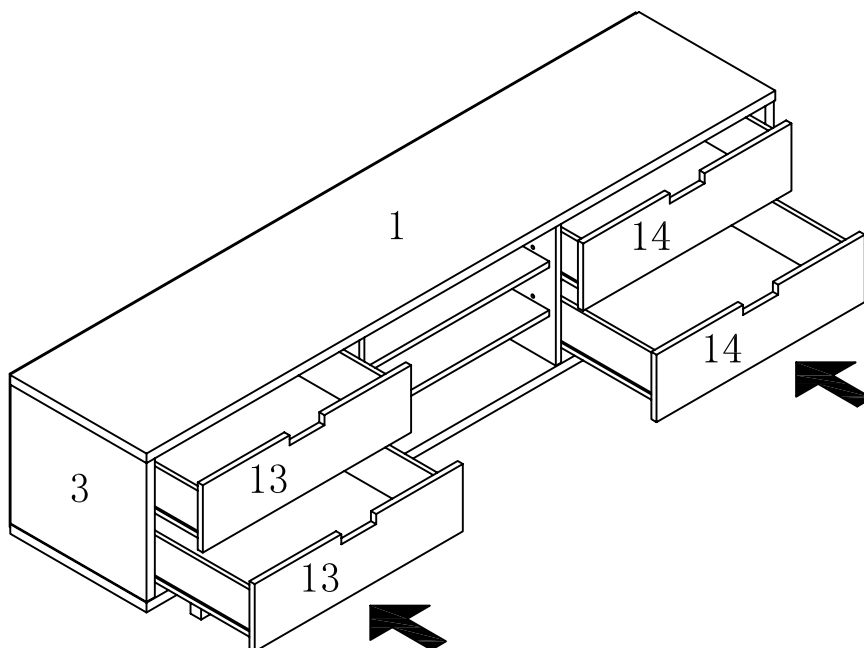
ASSEMBLY INSTRUCTION

ITEM#: 151359



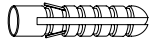
STEP11

STEP12

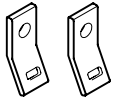


ANTI-TIPPING STRAP INSTRUCTION

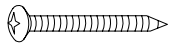
HARDWARE (INCLUDED) :



DRYWALL ANCHOR $\phi 8 \times 40$ X 1PC



METAL BRACKETS $12 \times 12 \times 1$ X 2PCS



DRYWALL SCREW $\phi 5 \times 40$ X 1PC

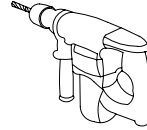


STRAP $197 \times 5 \times 1$ X 1PC



FLATHEAD SCREW $\phi 4 \times 25$ X 1PC

TOOLS NEEDED (NOT INCLUDED) :



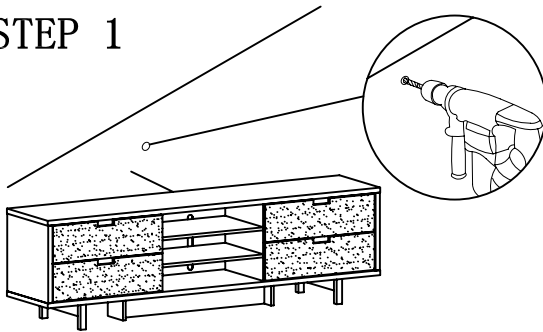
DRILL & DRILL BIT



LIGHT HAMMER

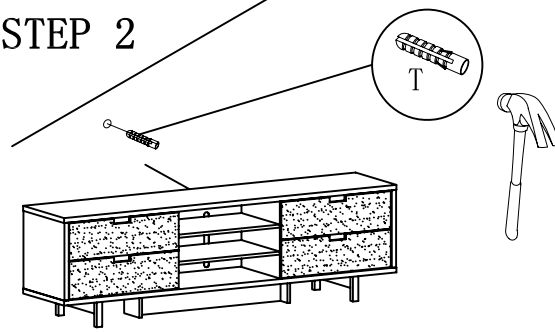
Note: Hardware included only compatible with standard drywalls.

STEP 1



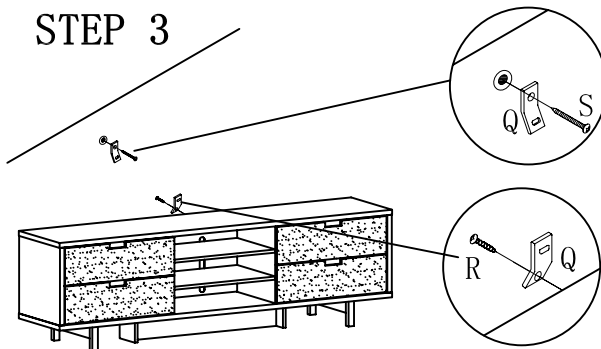
1. Find spot on wall 1" below top of item.
2. Using a drill bit slightly thinner than anchor, drill hole into drywall.

STEP 2



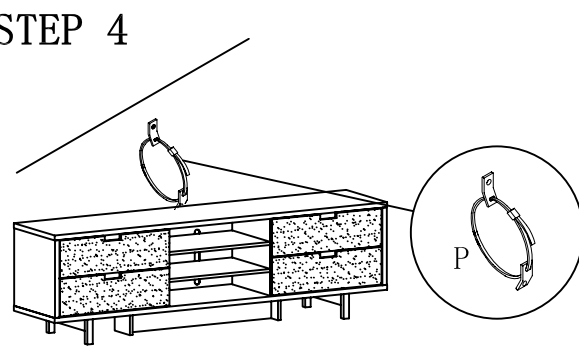
1. Use a light hammer to tap anchor into hole.
2. Anchor should fit snugly. If hole is too small, drill again to increase hole size. Do not force anchor into wall.

STEP 3



1. Insert drywall screw into metal bracket and into drywall anchor.
2. Insert flathead screw into second metal bracket and into back of item, along top edge.

STEP 4



1. Insert strap thru bracket attached to wall, then thru bracket on item, and into head of strap.
 2. pull lightly til strap stops.
- Assembly is complete.