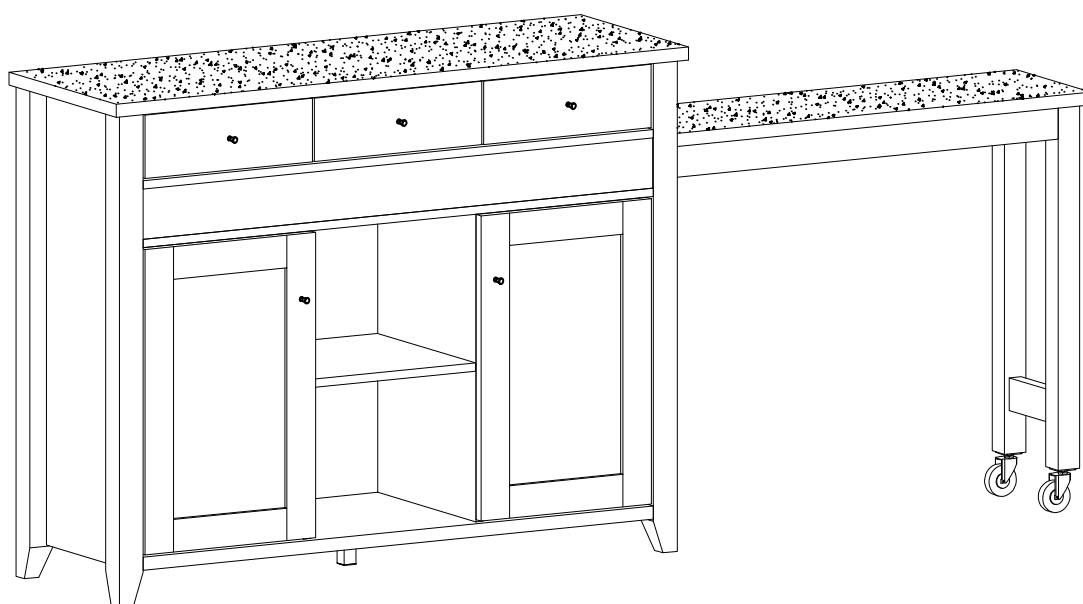


ASSEMBLY INSTRUCTION

ITEM#: 151366、161505



ASSEMBLY INSTRUCTION

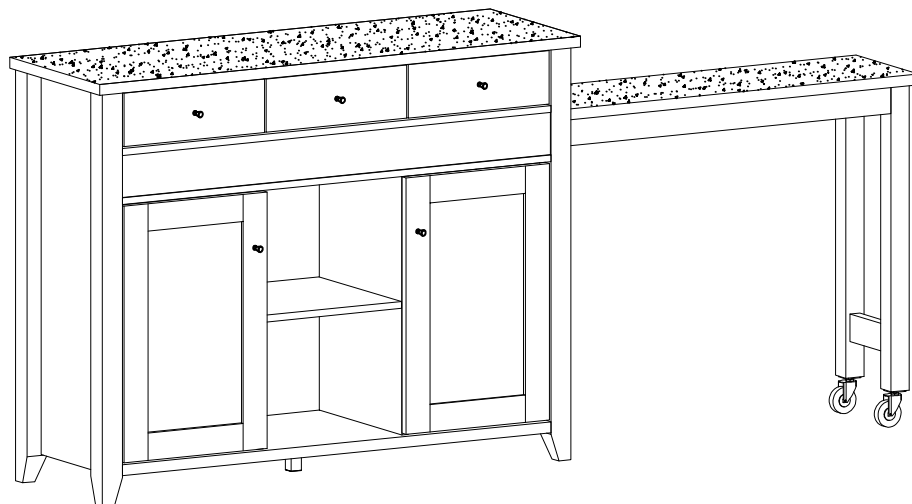
PLEASE READ BEFORE ASSEMBLING!

Tip #1: Make sure you've taken all the pieces and hardware out of its packaging before discarding the box.

Tip #2: Using page 2 and/or page 3 of instruction manual make sure all pieces and hardware are accounted for.

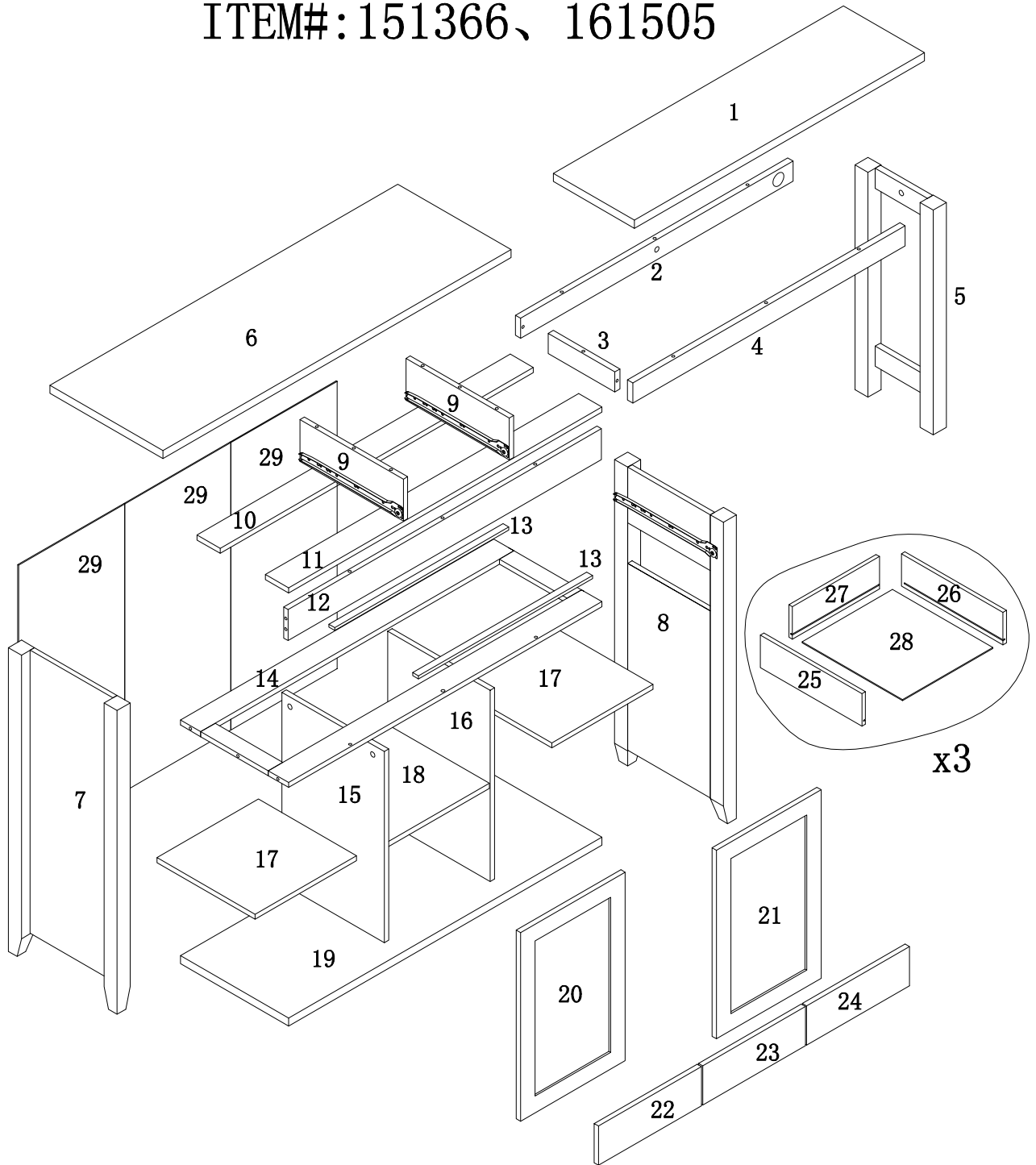
Tip #3: Read manual before assembling, it helps!

ITEM#: 151366、 161505



PARTS IDENTIFICATION



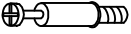




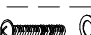
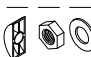

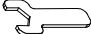
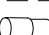
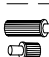
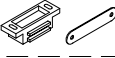

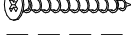
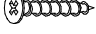
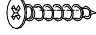



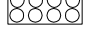







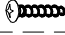
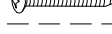
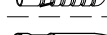
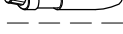
ITEM#: 151366、161505



(1)	1pc	(9)	2pcs	(17)	2pcs	(25)	3pcs
(2)	1pc	(10)	1pc	(18)	1pc	(26)	3pcs
(3)	1pc	(11)	1pc	(19)	1pc	(27)	3pcs
(4)	1pc	(12)	1pc	(20)	1pc	(28)	3pcs
(5)	1pc	(13)	2pcs	(21)	1pc	(29)	3pcs
(6)	1pc	(14)	1pc	(22)	1pc		
(7)	1pc	(15)	1pc	(23)	1pc		
(8)	1pc	(16)	1pc	(24)	1pc		

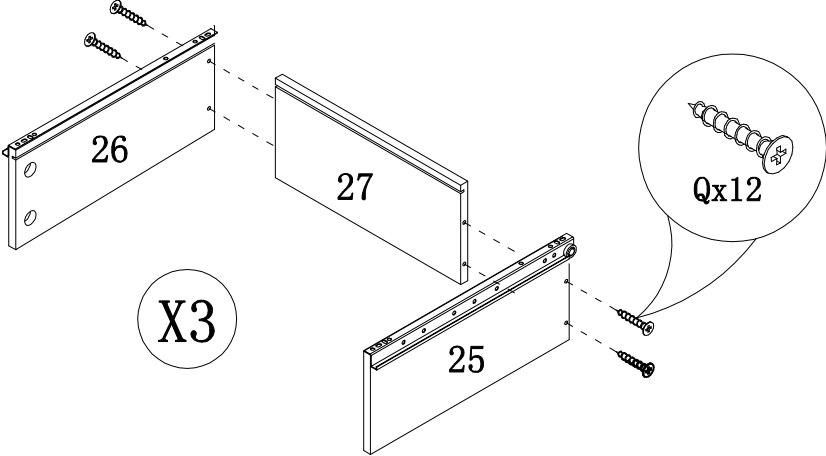
HARDWARE IDENTIFICATION

ITEM#: 151366、161505

A		L29	52pcs
B		φ15	52pcs
C		L20	12pcs
D		φ12	12pcs
E		φ8x25	24pcs
F			5pcs
G		M4x22	3pcs
H		M4x25	2pcs
I			2pcs
J		φ8x70	2pcs
K		M13	1pc
L		φ5x15	8pcs
M			2pcs
N			2pcs
O			60pcs
P		φ4x40	4pcs
Q		φ4x30	16pcs
R		φ4x25	6pcs
S		φ4x16	2pcs
T		φ3x16	4pcs
U		φ3x14	4pcs
V		φ20	22pcs
W		φ16	5pcs
X		H65 (M8X15)	2pcs
Y		80X25X64H	1pc
Z		φ45	2pcs
A1		M14	1pc
B1		197×5×1	1pc
C1		12×12×1	2pcs
D1		□4X25	1pc
E1		□5X40	1pc
F1		□8X40	1pc
G1		Glue: For securing please apply to wood dowel first before inserting into panel	1pc

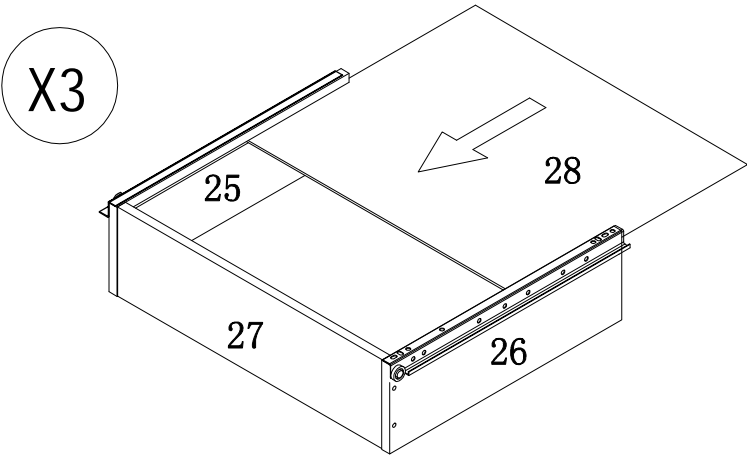
ASSEMBLY INSTRUCTION

ITEM#: 151366、161505

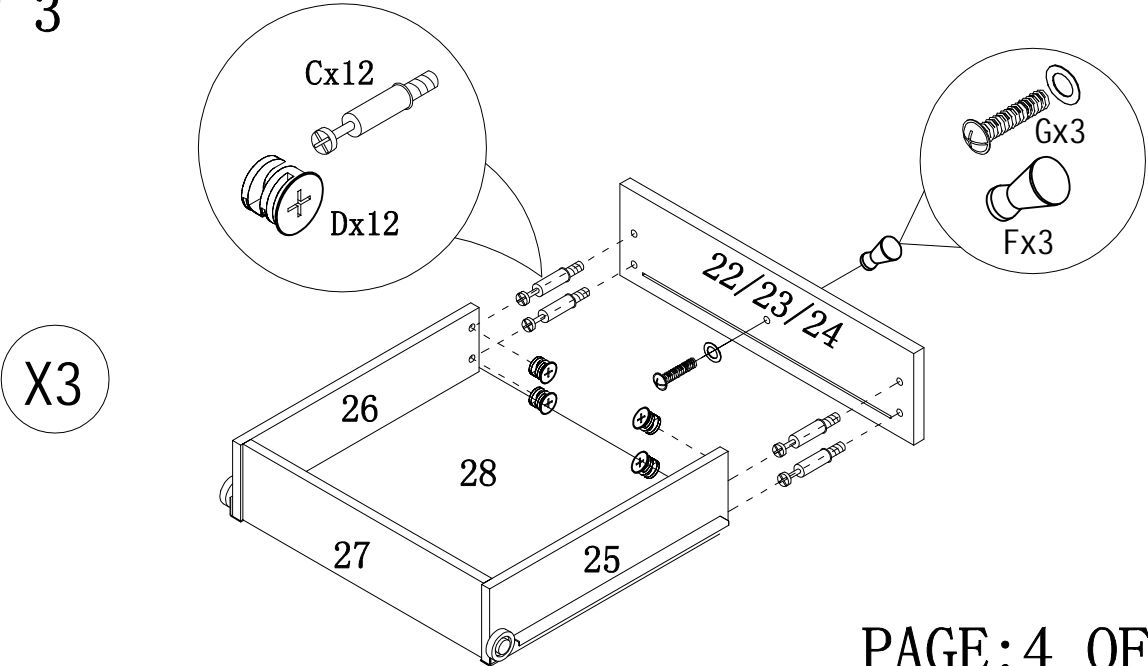


STEP 1

STEP 2

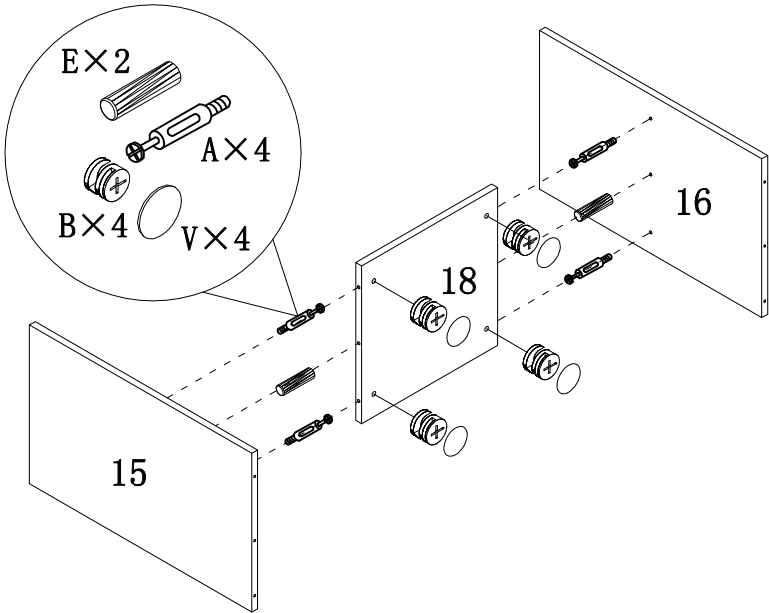


STEP 3



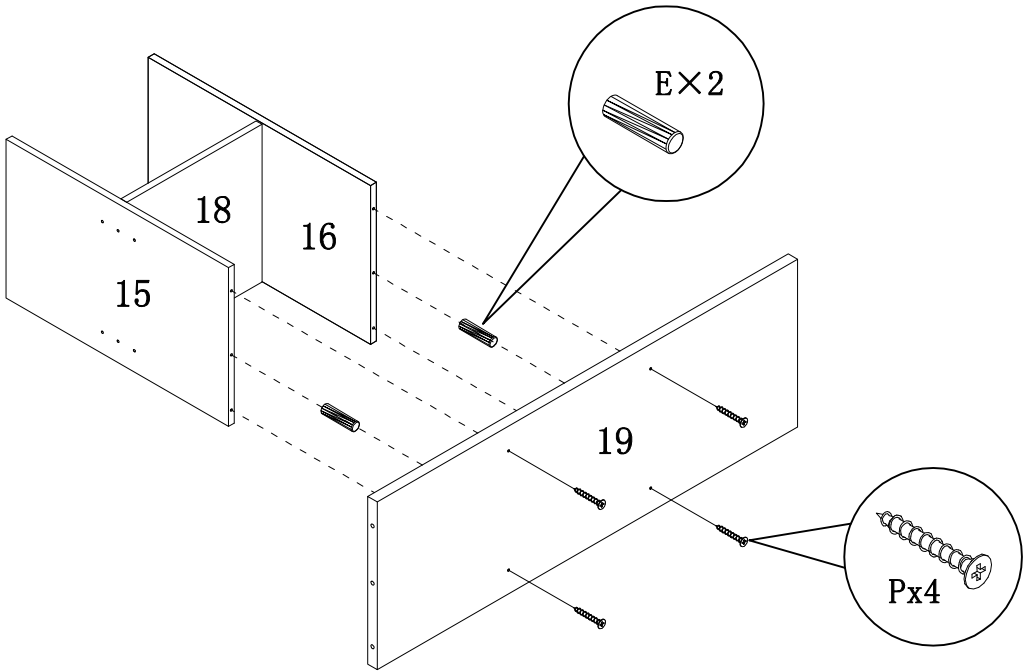
ASSEMBLY INSTRUCTION

ITEM#: 151366、161505



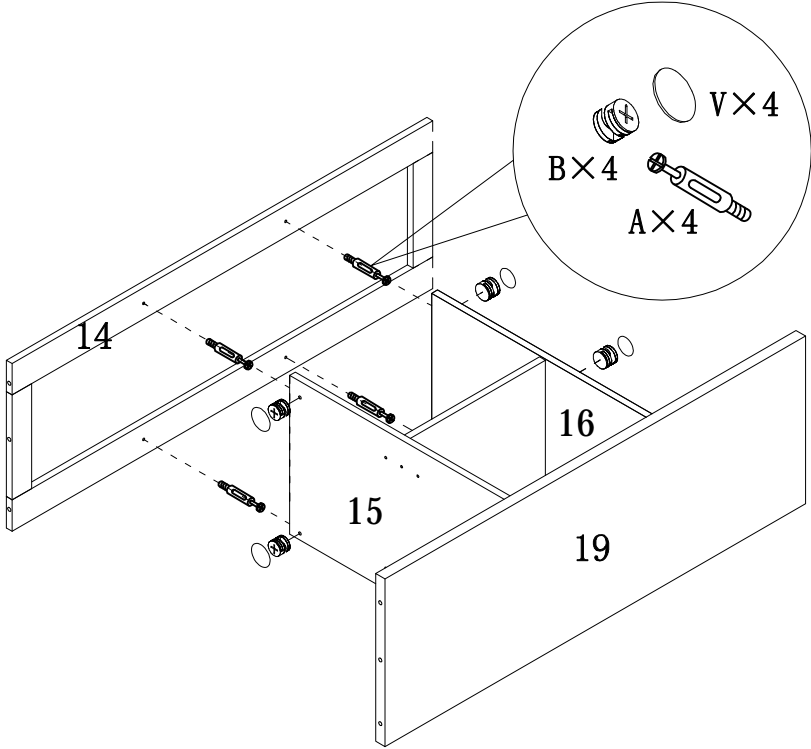
STEP 4

STEP 5



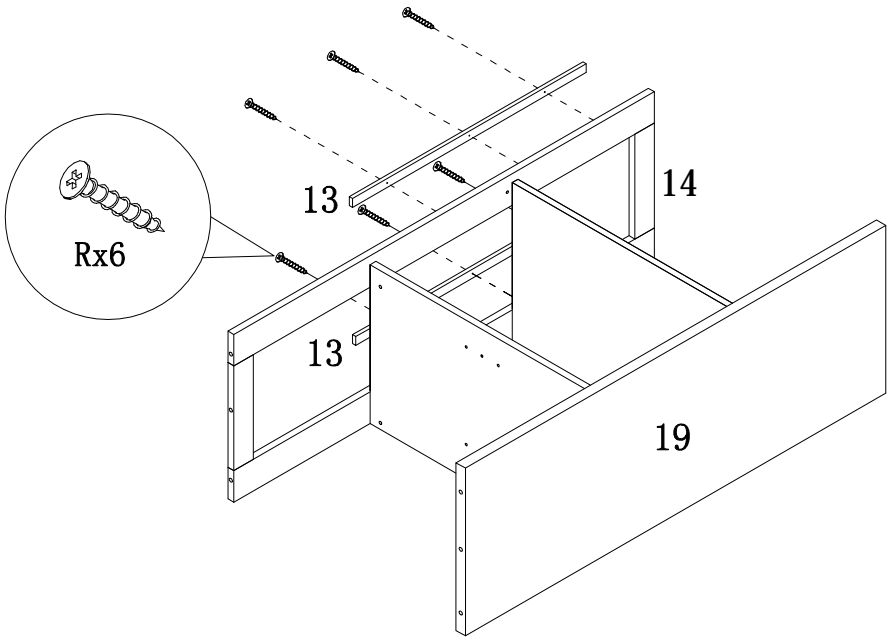
ASSEMBLY INSTRUCTION

ITEM#: 151366、161505



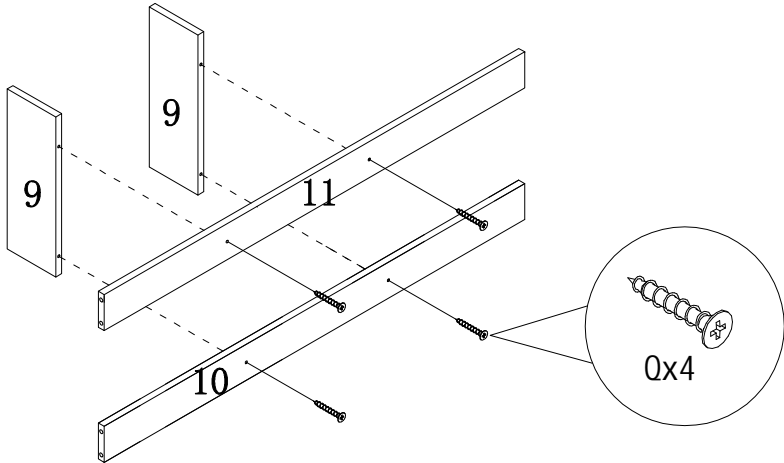
STEP 6

STEP 7



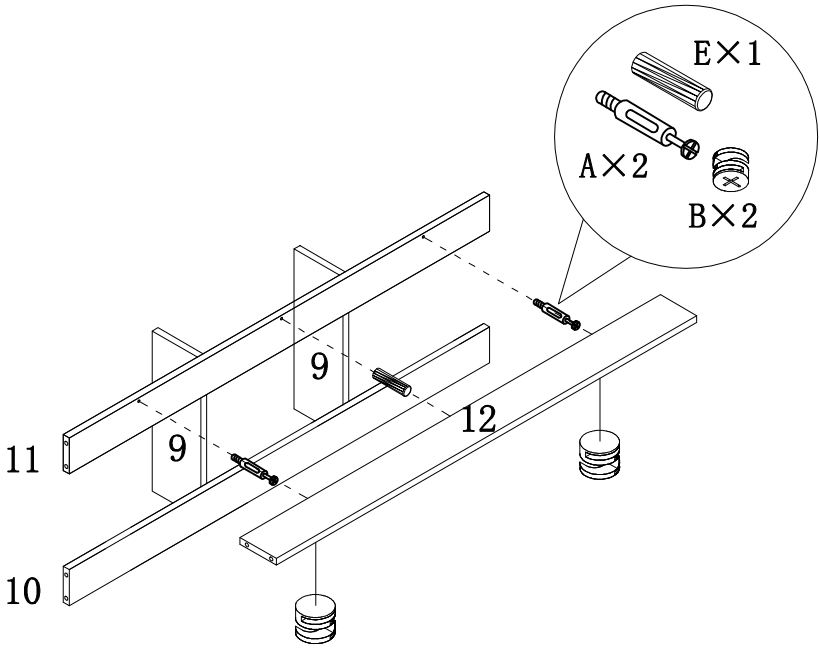
ASSEMBLY INSTRUCTION

ITEM#:151366、161505



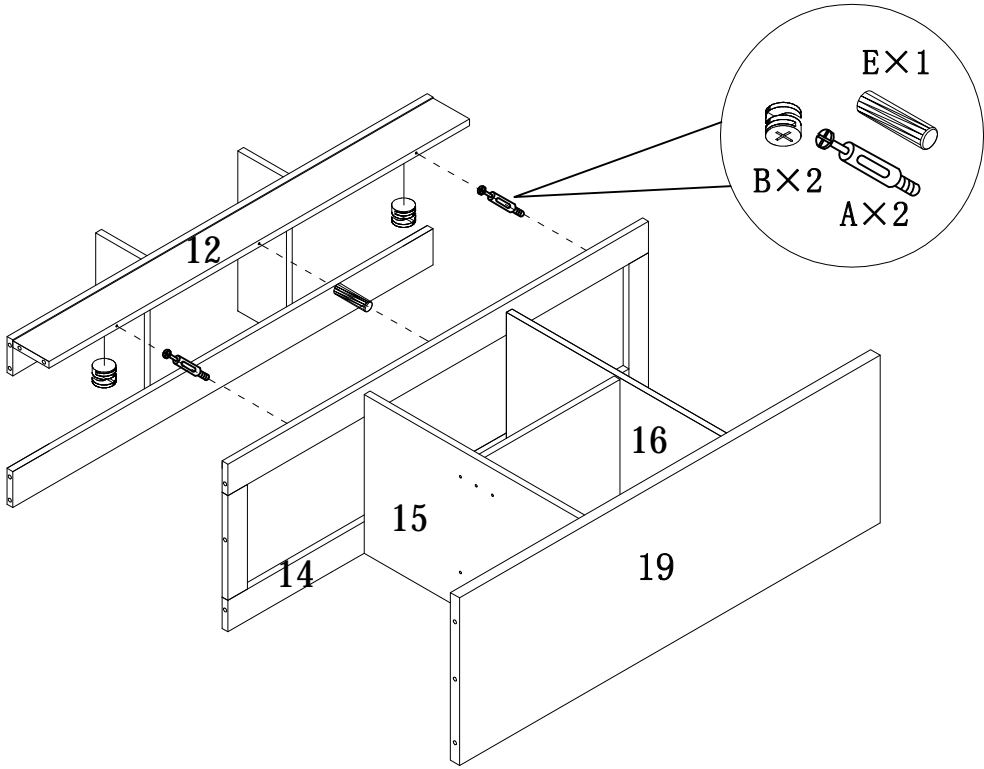
STEP 8

STEP 9



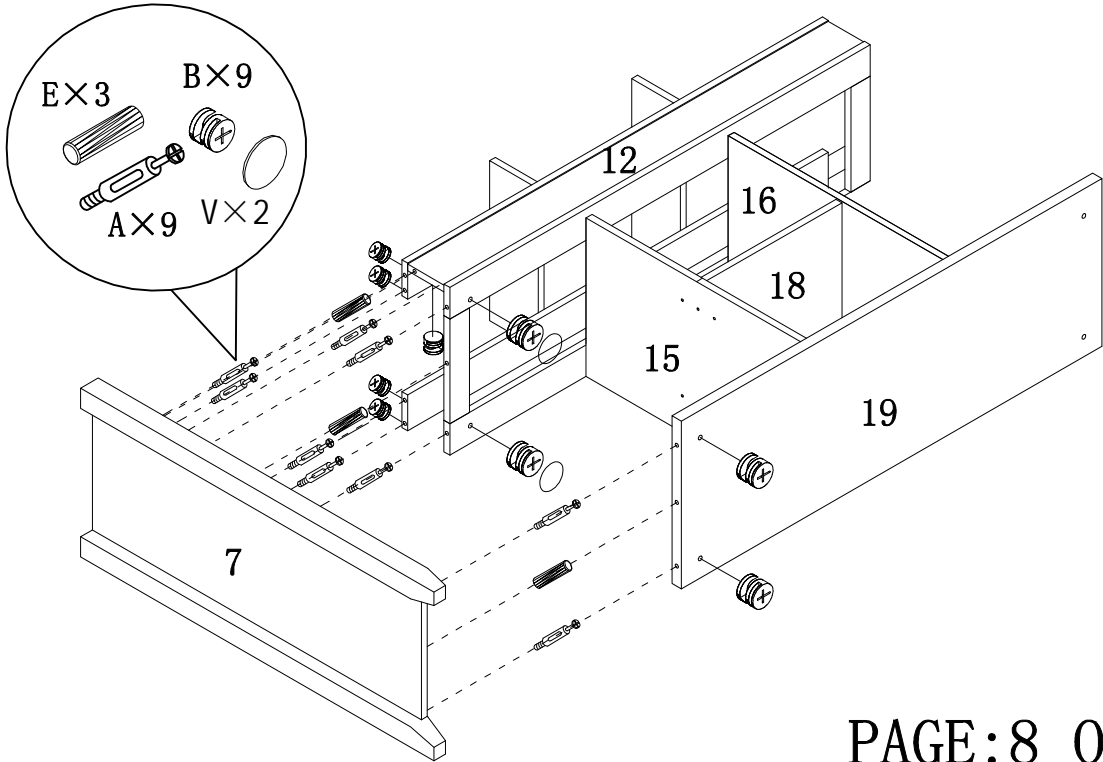
ASSEMBLY INSTRUCTION

ITEM#: 151366、161505



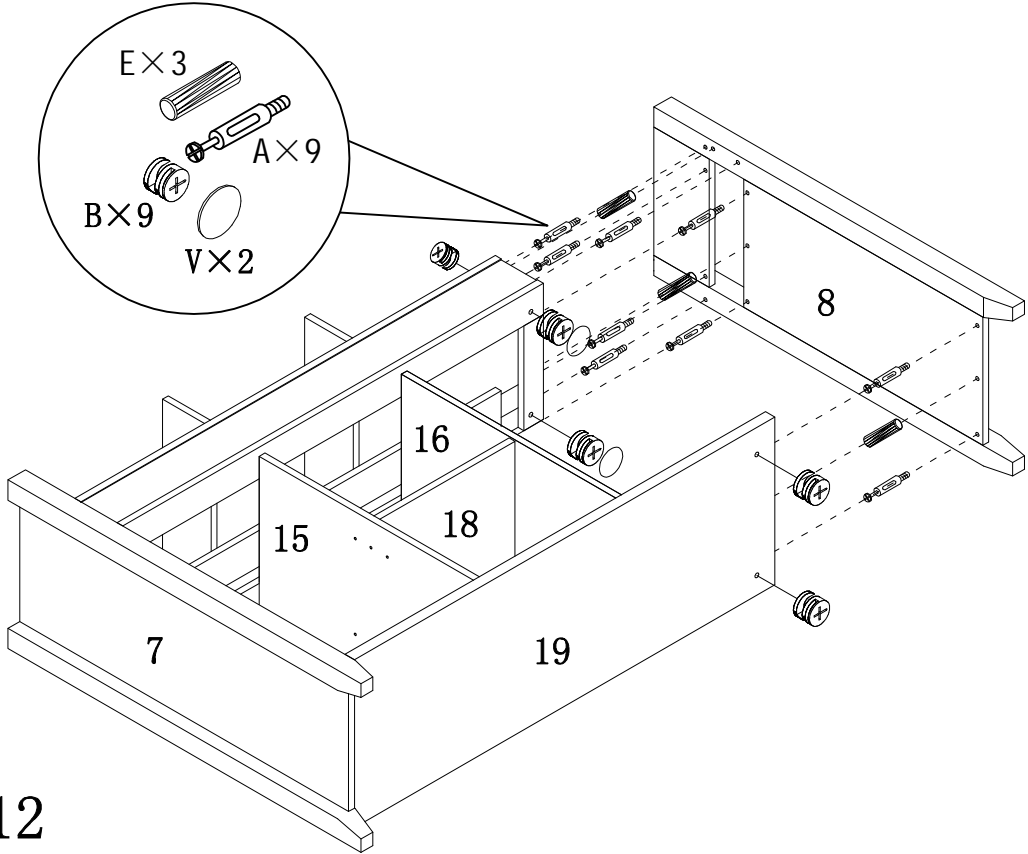
STEP 10

STEP 11



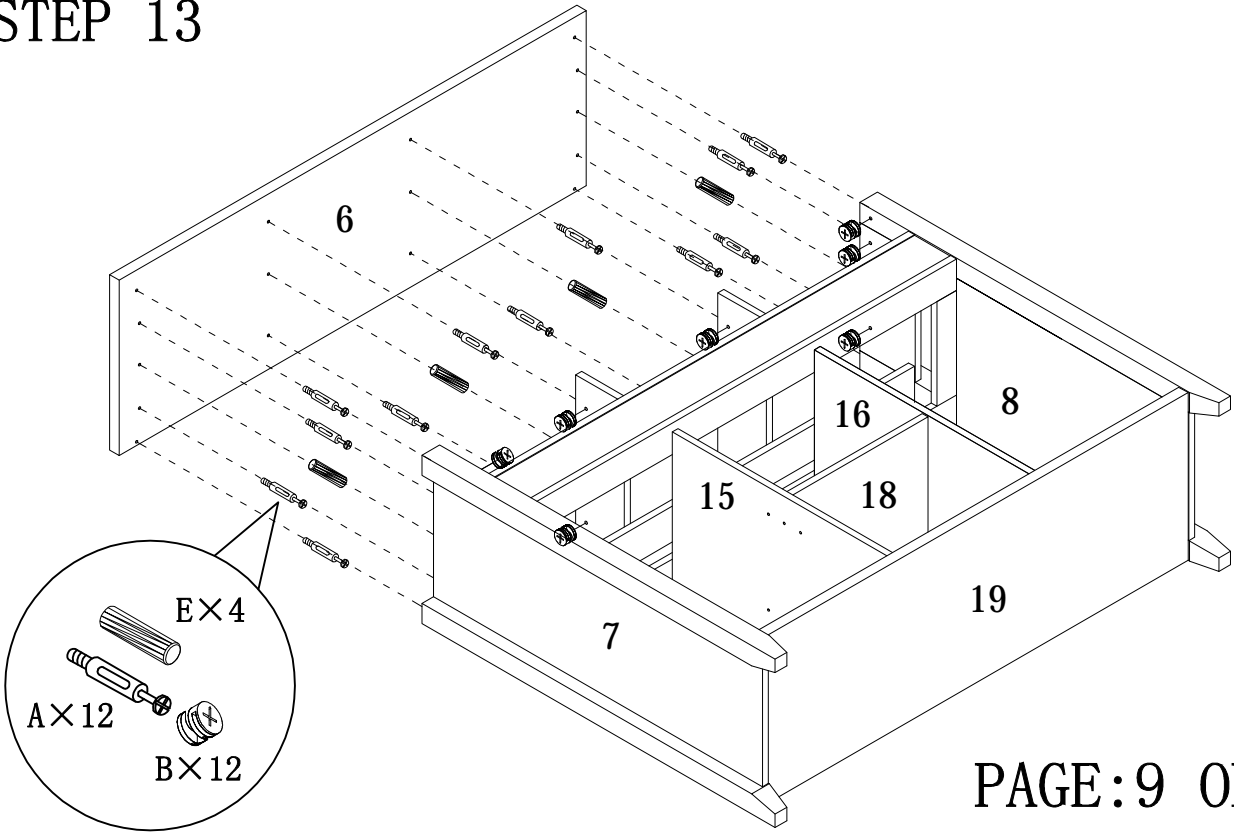
ASSEMBLY INSTRUCTION

ITEM#: 151366、161505



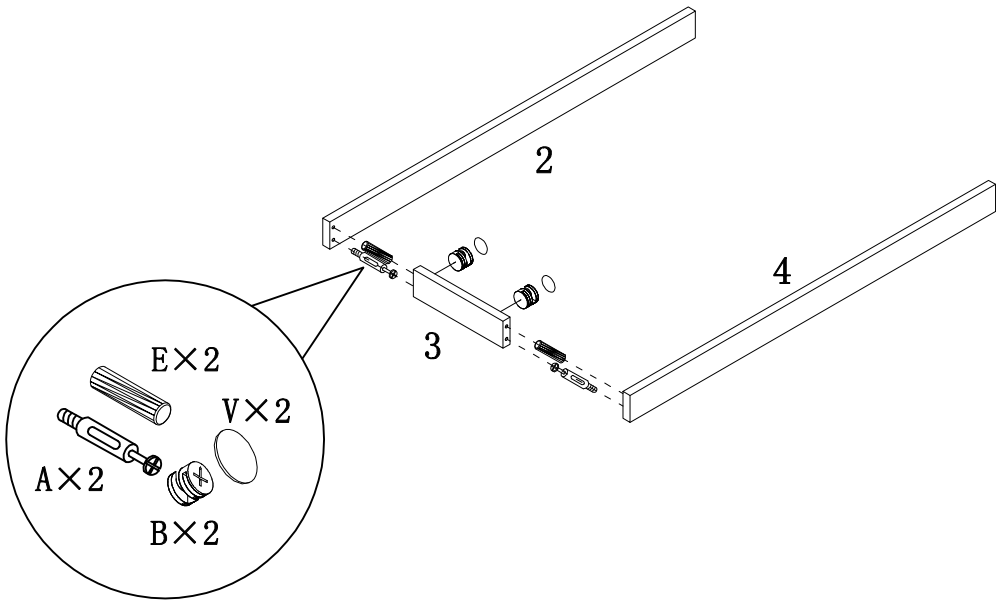
STEP 12

STEP 13



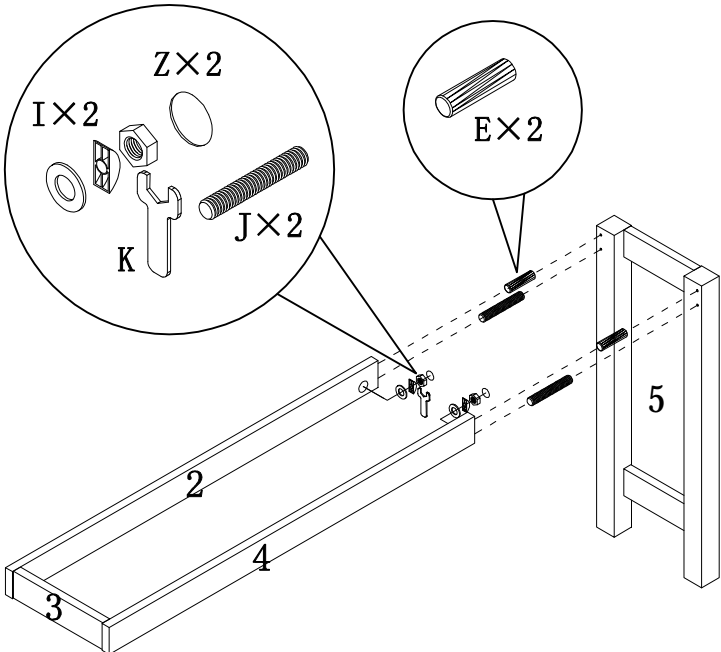
ASSEMBLY INSTRUCTION

ITEM#: 151366、161505



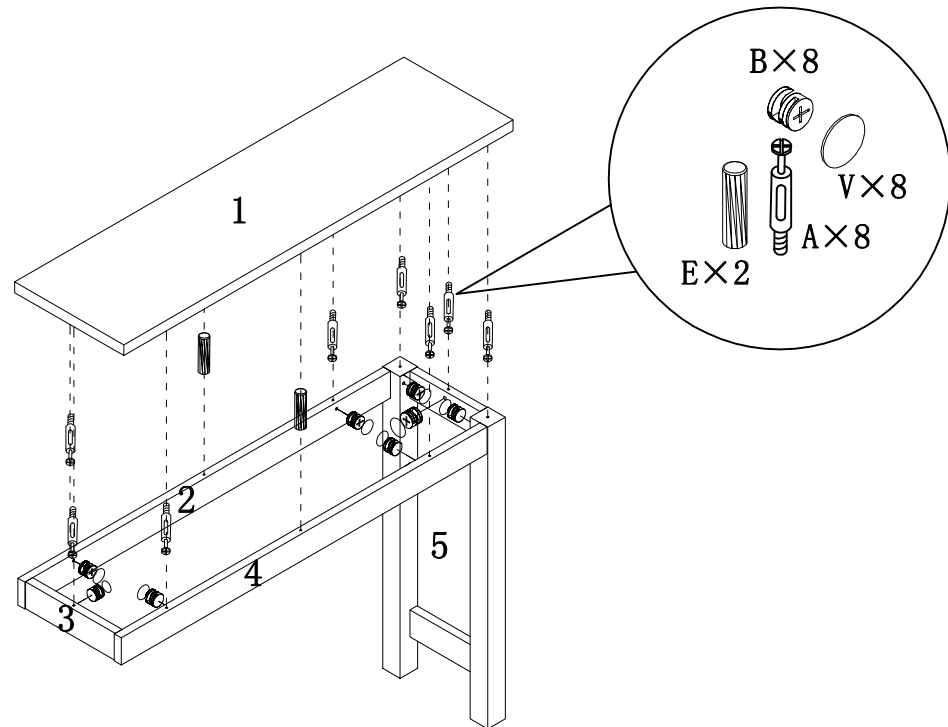
STEP 14

STEP 15



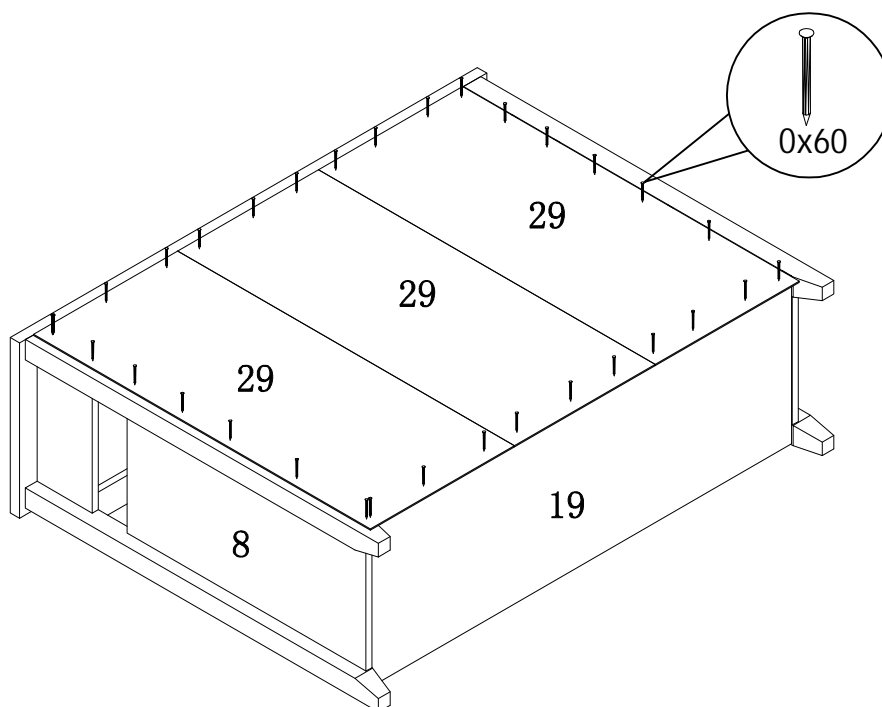
ASSEMBLY INSTRUCTION

ITEM#:151366、161505



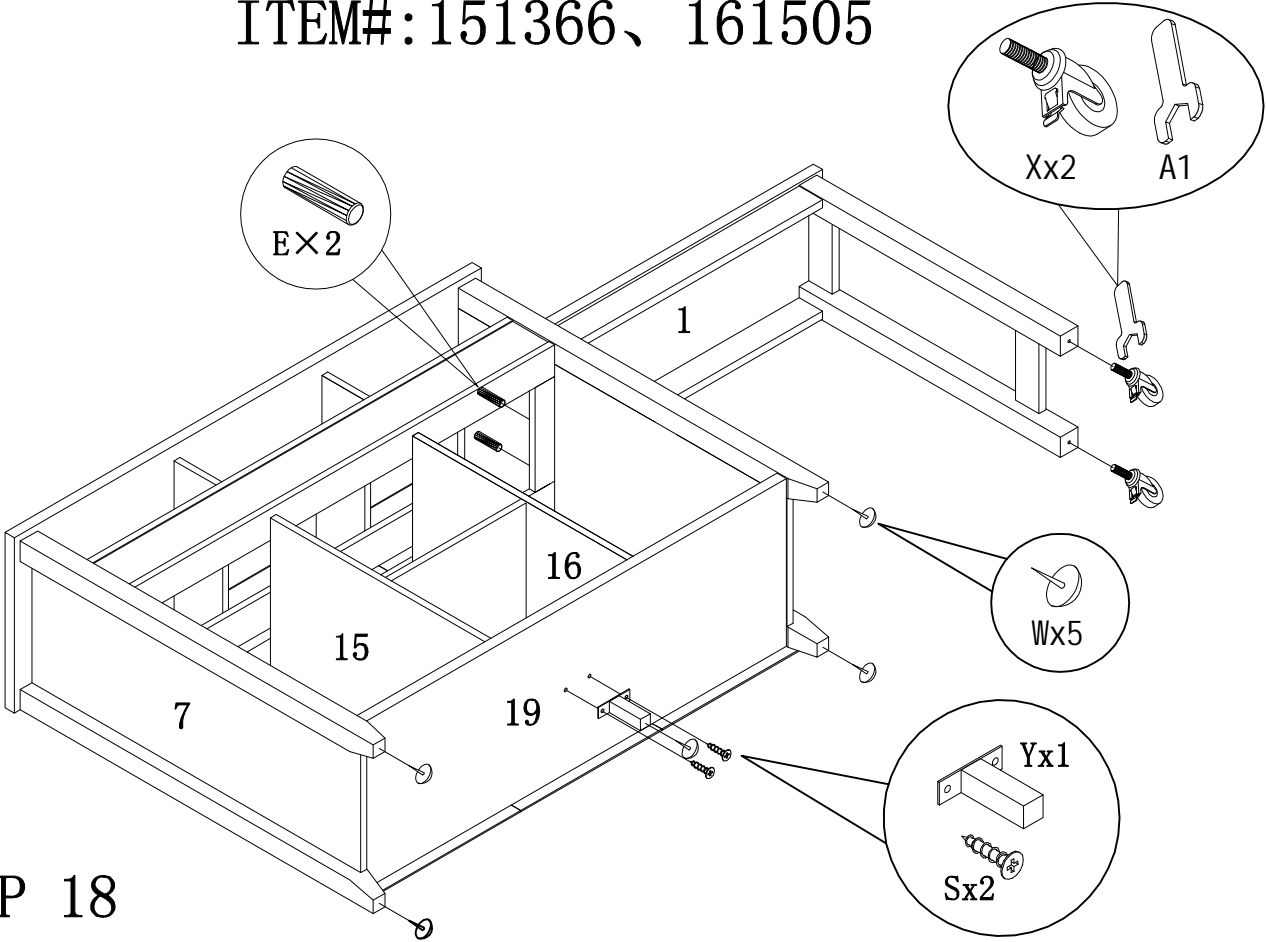
STEP 16

STEP 17



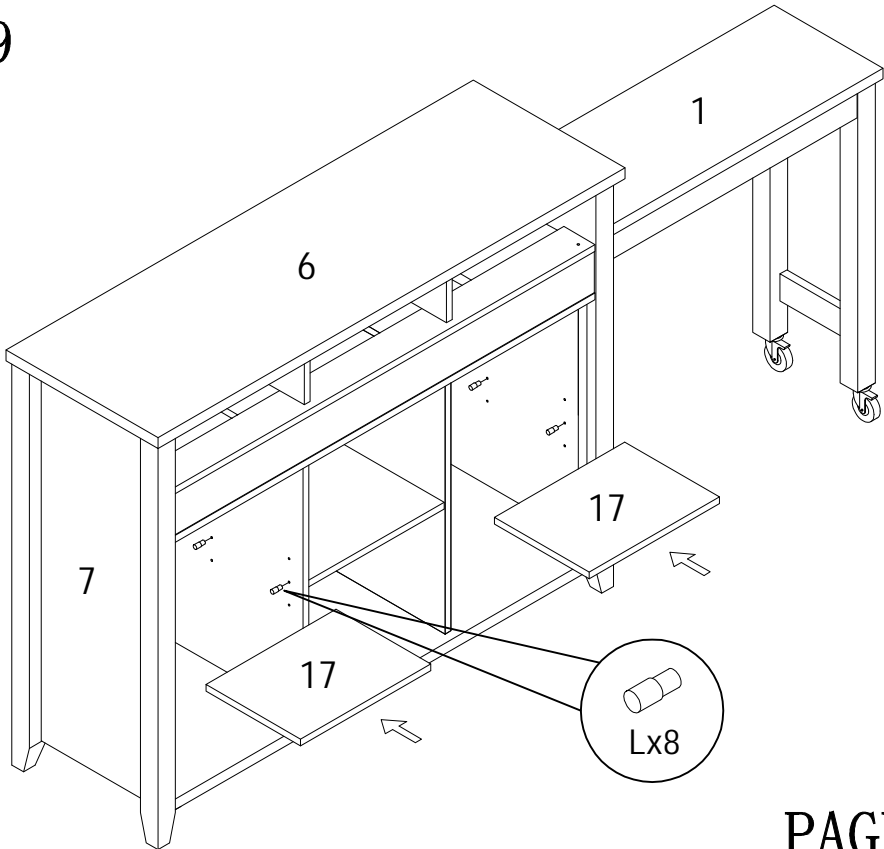
ASSEMBLY INSTRUCTION

ITEM#: 151366、161505



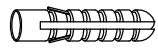
STEP 18

STEP 19

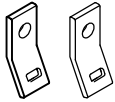


ANTI-TIPPING STRAP INSTRUCTION

HARDWARE (INCLUDED) :



DRYWALL ANCHOR $\phi 8 \times 40$ X 1PC



METAL BRACKETS $12 \times 12 \times 1$ X 2PCS



DRYWALL SCREW $\phi 5 \times 40$ X 1PC

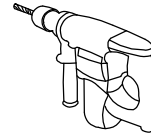


STRAP $197 \times 5 \times 1$ X 1PC

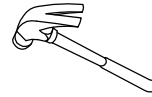


FLATHEAD SCREW $\phi 4 \times 25$ X 1PC

TOOLS NEEDED (NOT INCLUDED) :



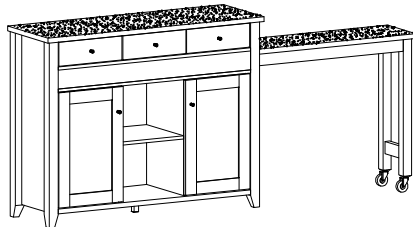
DRILL & DRILL BIT



LIGHT HAMMER

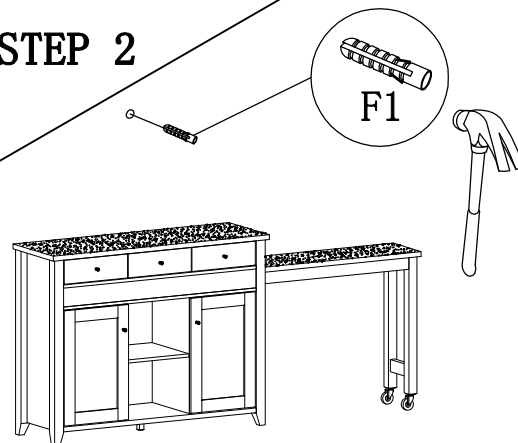
Note: Hardware included only compatible with standard drywalls.

STEP 1



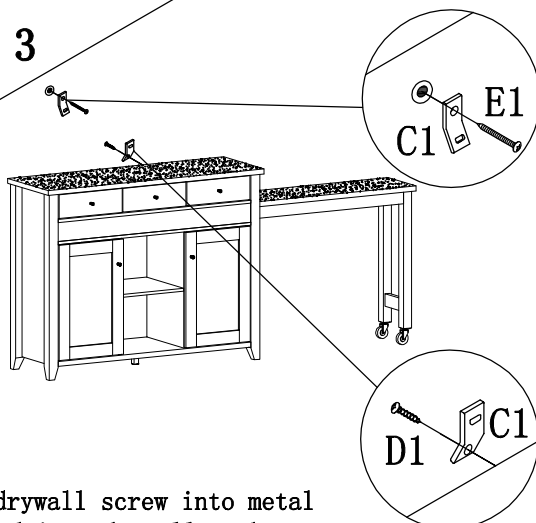
1. Find spot on wall 1" below top of item.
2. Using a drill bit slightly thinner than anchor, drill hole into drywall.

STEP 2



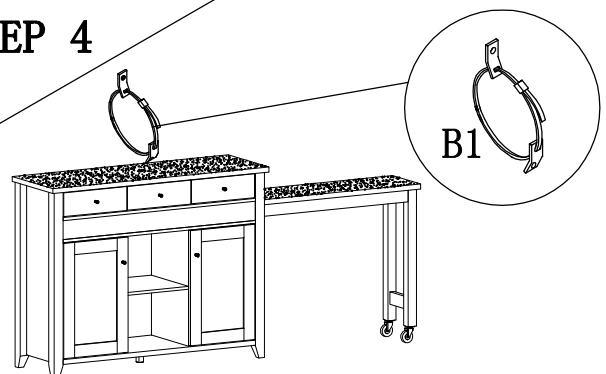
1. Use a light hammer to tap anchor into hole.
2. Anchor should fit snugly. If hole is too small, drill again to increase hole size. Do not force anchor into wall.

STEP 3



1. Insert drywall screw into metal bracket and into drywall anchor.
2. Insert flathead screw into second metal bracket and into back of item, along top edge.

STEP 4



1. Insert strap thru bracket attached to wall, then thru bracket on item, and into head of strap.
 2. pull lightly til strap stops.
- Assembly is complete.