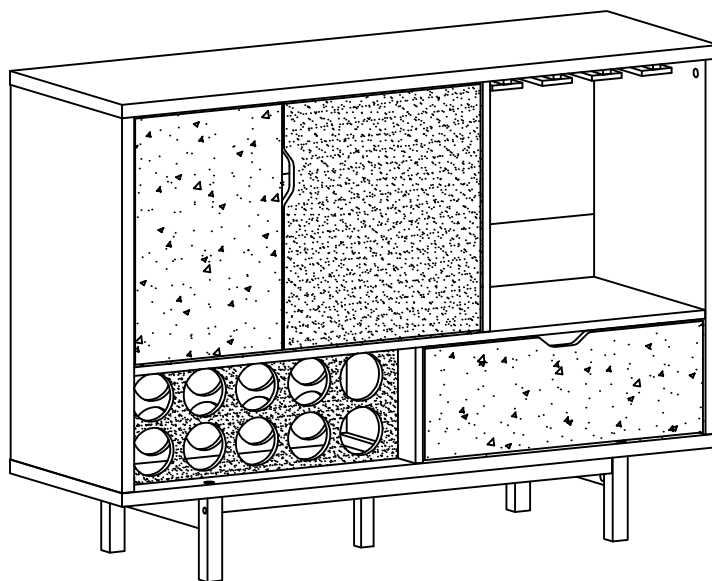


ASSEMBLY INSTRUCTION

ITEM#: 151369



ASSEMBLY INSTRUCTION

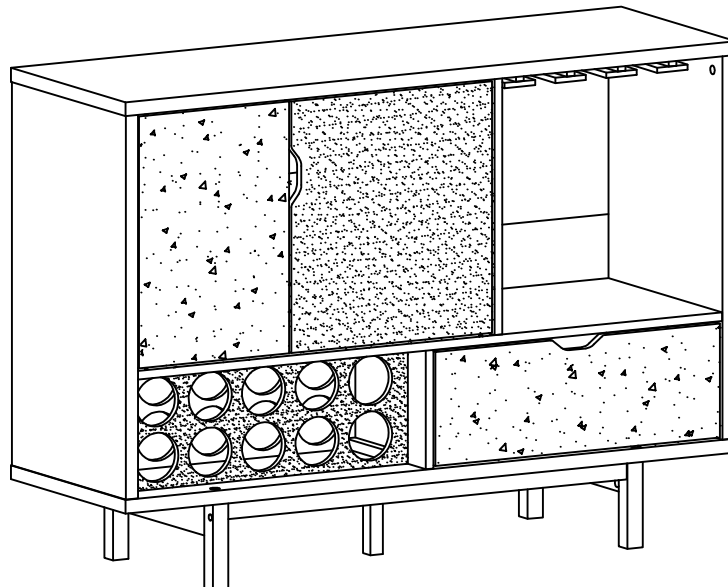
PLEASE READ BEFORE ASSEMBLING!

Tip #1: Make sure you've taken all the pieces and hardware out of its packaging before discarding the box.

Tip #2: Using page 2 and/or page 3 of instruction manual make sure all pieces and hardware are accounted for.

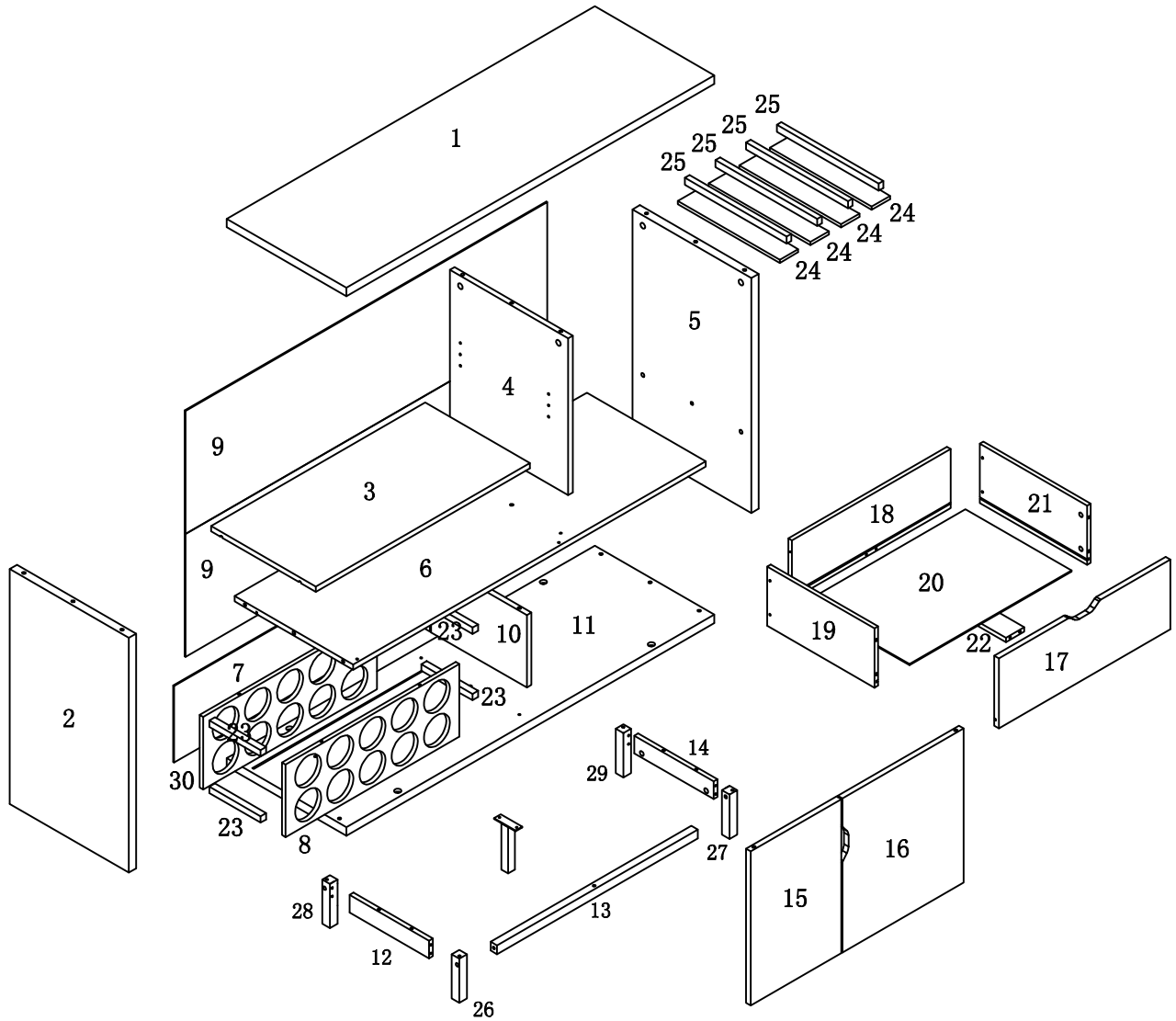
Tip #3: Read manual before assembling, it helps!

ITEM#: 151369



PARTS IDENTIFICATION



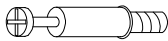





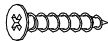
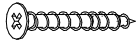


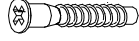

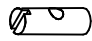




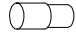


ITEM#: 151369



(1)	1pc	(10)	1pc	(19)	1pc	(28)	1pc
(2)	1pc	(11)	1pc	(20)	1pc	(29)	1pc
(3)	1pc	(12)	1pc	(21)	1pc		
(4)	1pc	(13)	1pc	(22)	1pc		
(5)	1pc	(14)	1pc	(23)	4pcs		
(6)	1pc	(15)	1pc	(24)	4pcs		
(7)	1pc	(16)	1pc	(25)	4pcs		
(8)	2pcs	(17)	1pc	(26)	1pc		
(9)	2pcs	(18)	1pc	(27)	1pc		



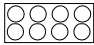
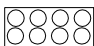
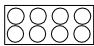
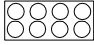



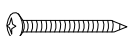

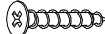


HARDWARE IDENTIFICATION

ITEM#: 151369

A		L29	18pcs
B		φ15	18pcs
C		L20	4pcs
D		φ12	4pcs
E		φ8x25	23pcs
F		φ8x25 (WHITE)	2pcs
G		φ6x30	2pcs
H		φ4x16	2pcs
I		φ4x30	8pcs
J		φ4x40	4pcs
K		φ3x16 (BLACK)	4pcs
L		φ3x14 (BLACK)	4pcs
M		M7x48	4pcs
N		M6x55	4pcs
O		φ10x15	4pcs
P		M4	1pc
Q		φ8xφ16x2	8pcs
R		BROWN	2pcs
S		BLACK	2pcs
T		φ5x15	4pcs
U		WHITE	2pcs
V			32pcs

HARDWARE IDENTIFICATION

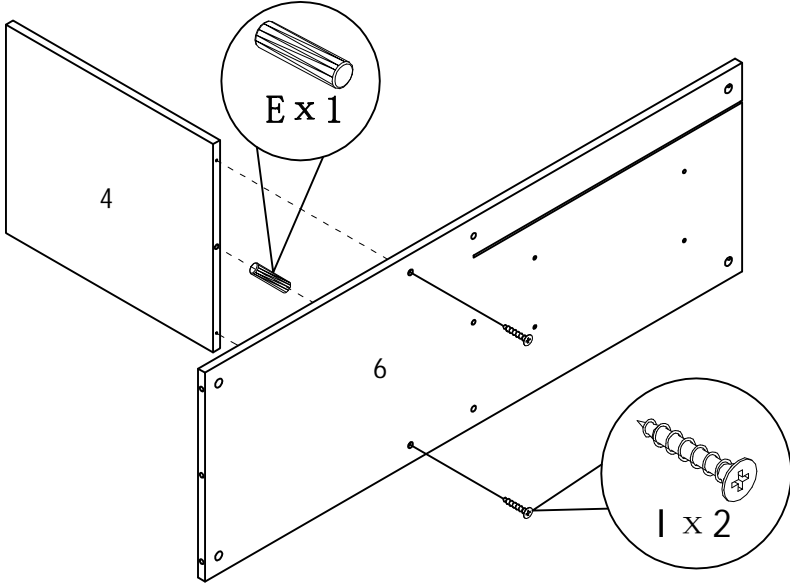
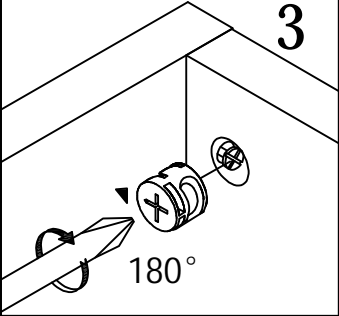
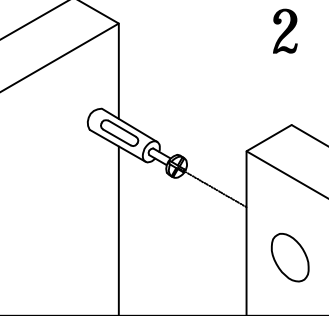
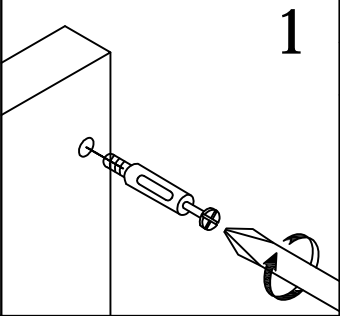
ITEM#: 151369

W		M6x35	8pcs
X		Ø16	4pcs
Y		Ø22 (BLK3)	4pcs
Z		Ø20 (BLK3)	20pcs
A1		Ø13 (BLK3)	4pcs
B1		Ø13 (GWH)	8pcs
C1		Ø80x25x150	1pc
D1		197×5×1	1pc
E1		Ø4x25	1pc
F1		Ø5x40	1pc
G1		Ø8x40	1pc
H1		Ø4x20	8pcs
I1		12×12×1	2pcs
J1		Glue: For securing please apply to wood dowel first before inserting into panel	1pc

ASSEMBLY INSTRUCTION

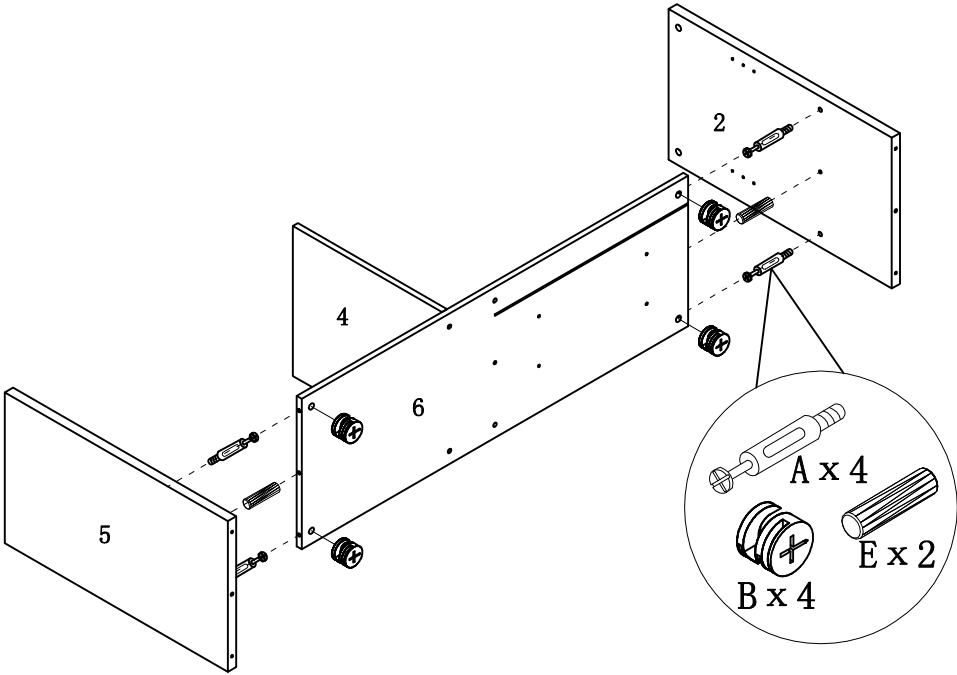
ITEM#: 151369

HOW TO



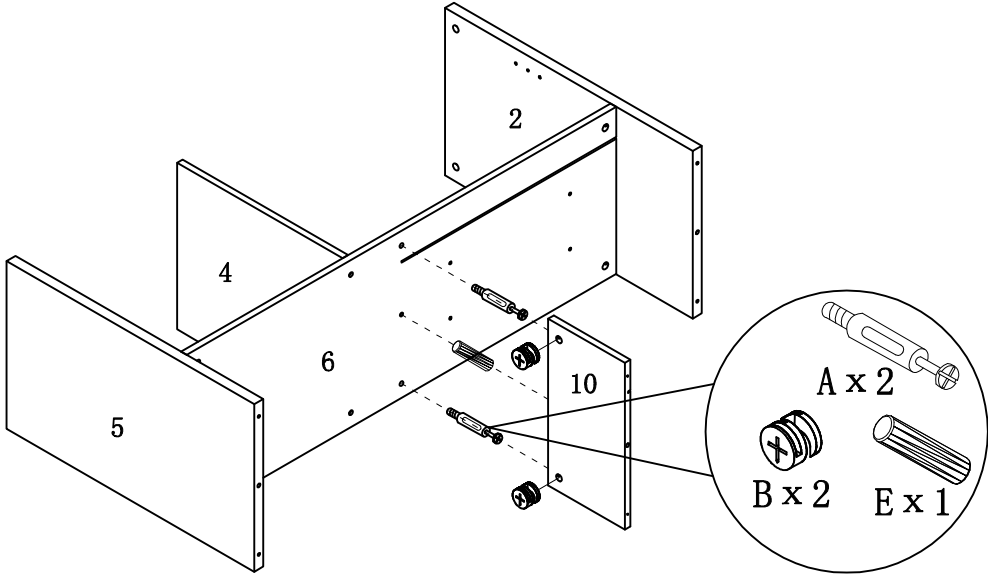
STEP 1

STEP 2



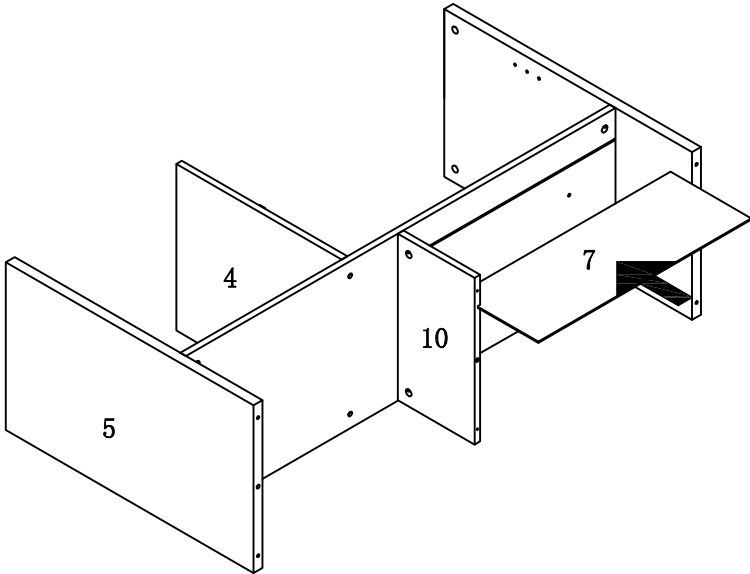
ASSEMBLY INSTRUCTION

ITEM#: 151369



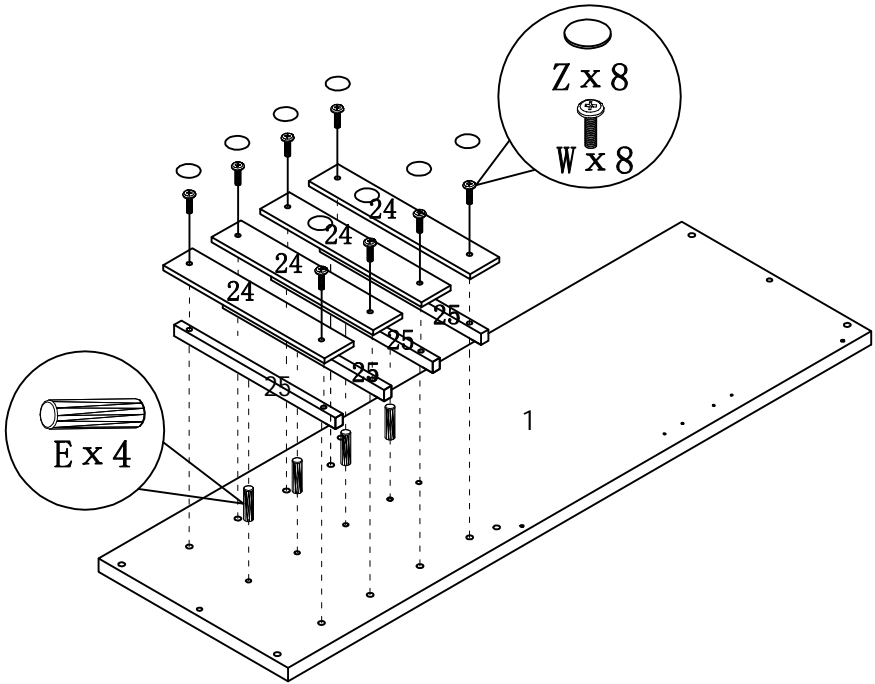
STEP3

STEP4



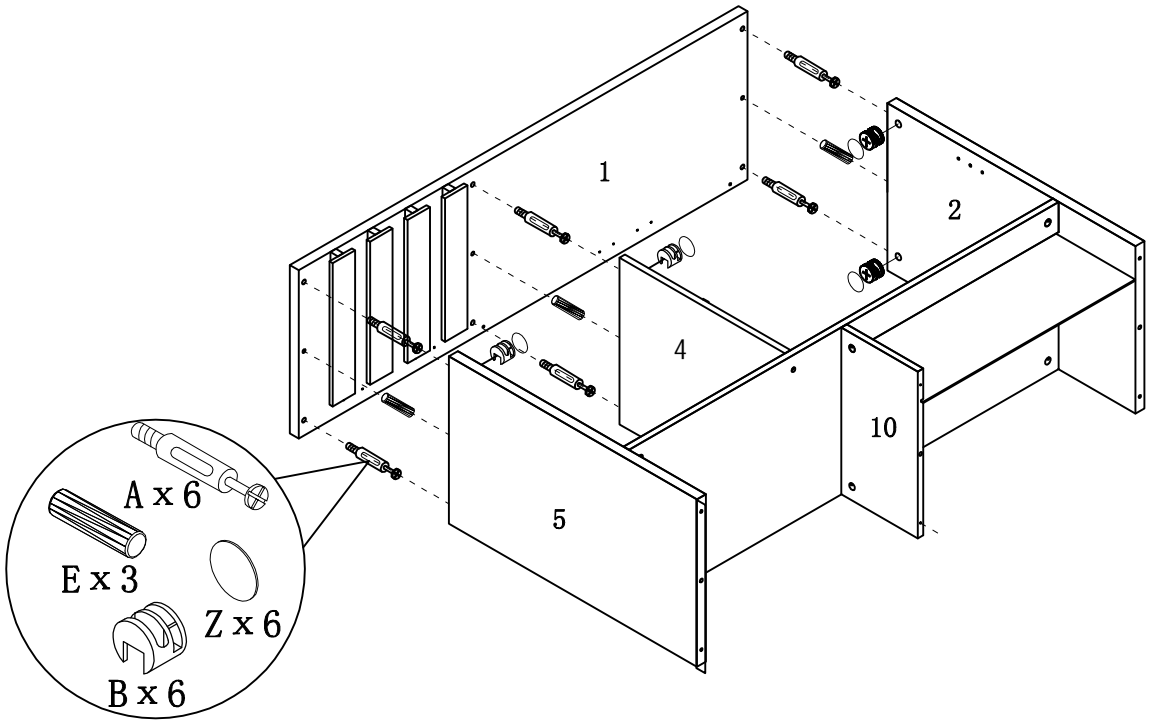
ASSEMBLY INSTRUCTION

ITEM#: 151369



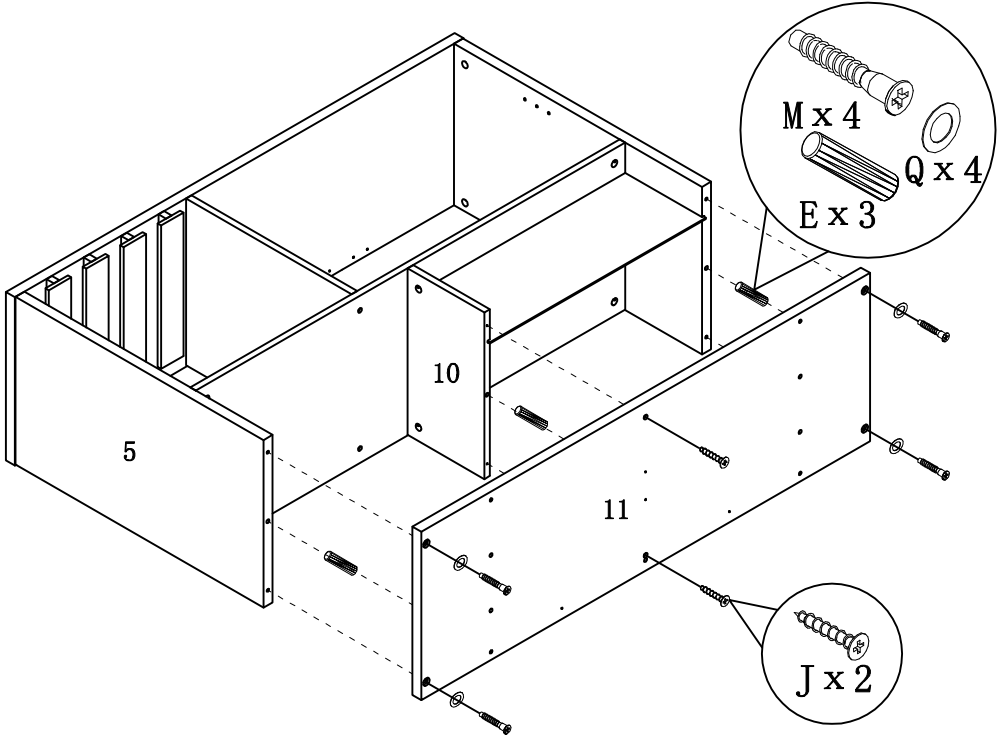
STEP5

STEP6



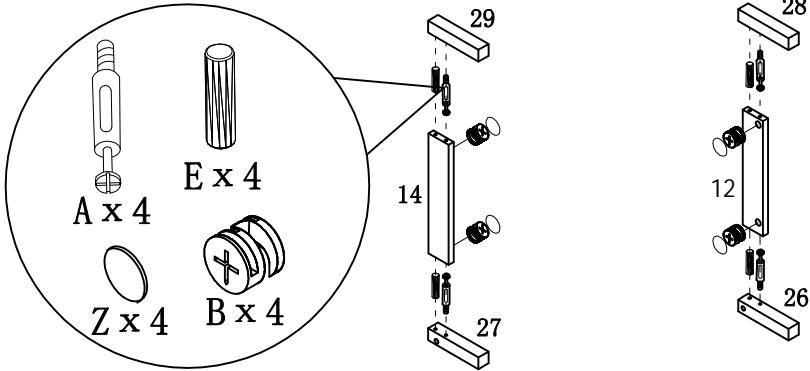
ASSEMBLY INSTRUCTION

ITEM#: 151369

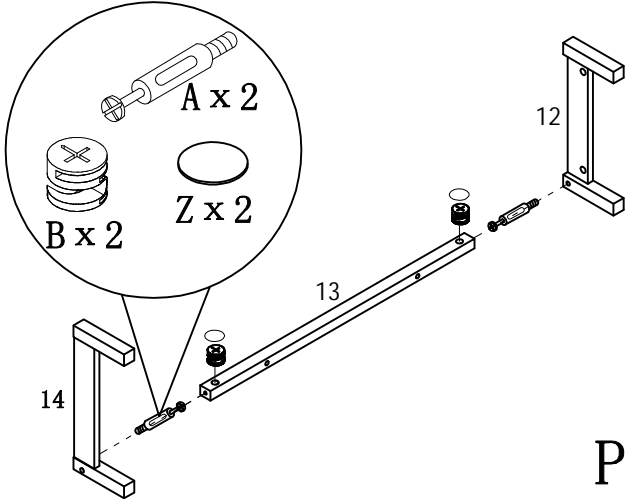


STEP 7

STEP 8

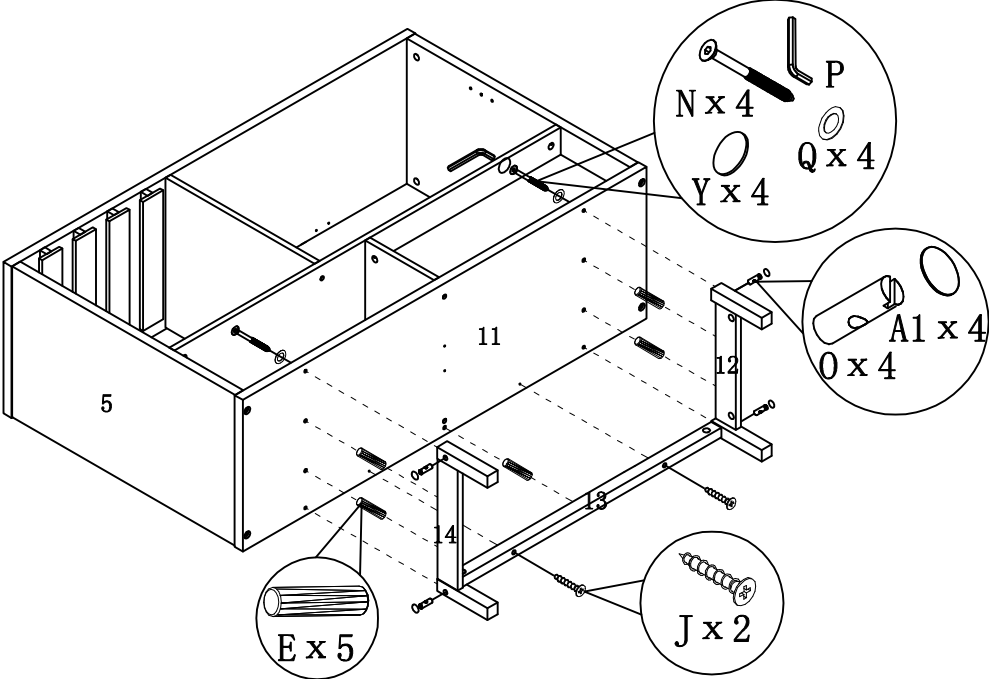


STEP 9



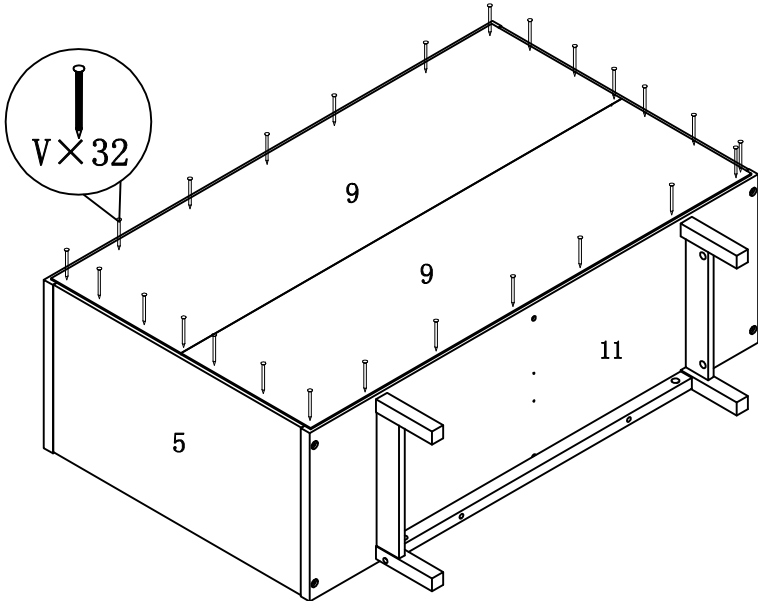
ASSEMBLY INSTRUCTION

ITEM#: 151369



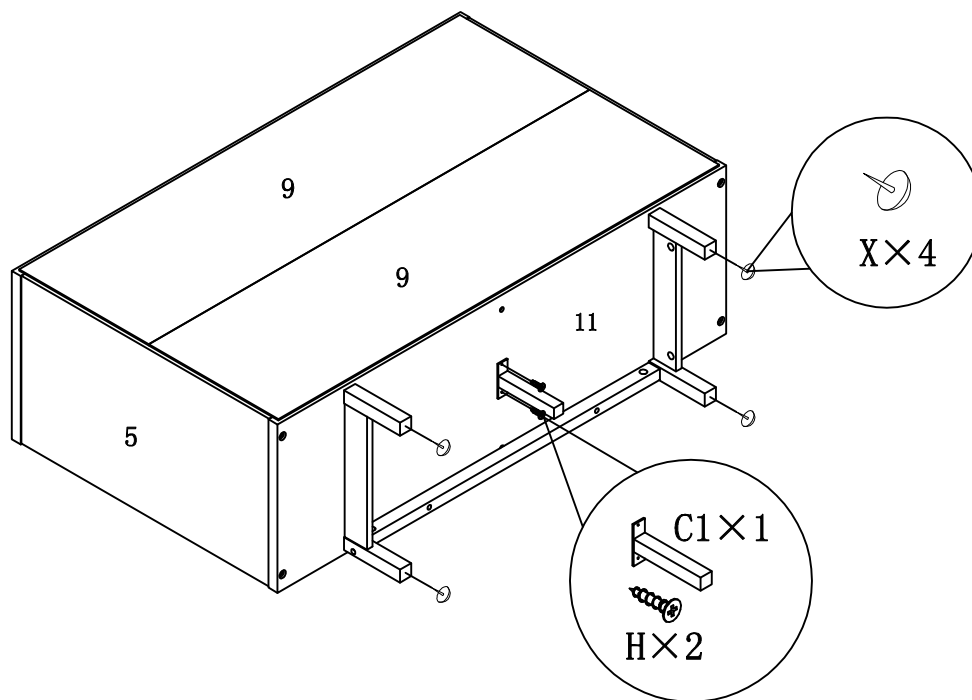
STEP10

STEP11



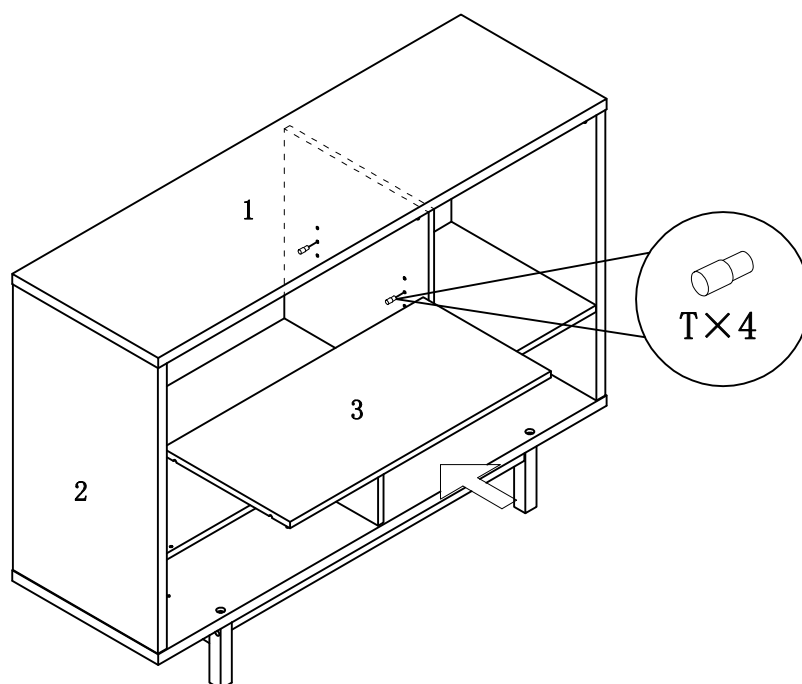
ASSEMBLY INSTRUCTION

ITEM#: 151369



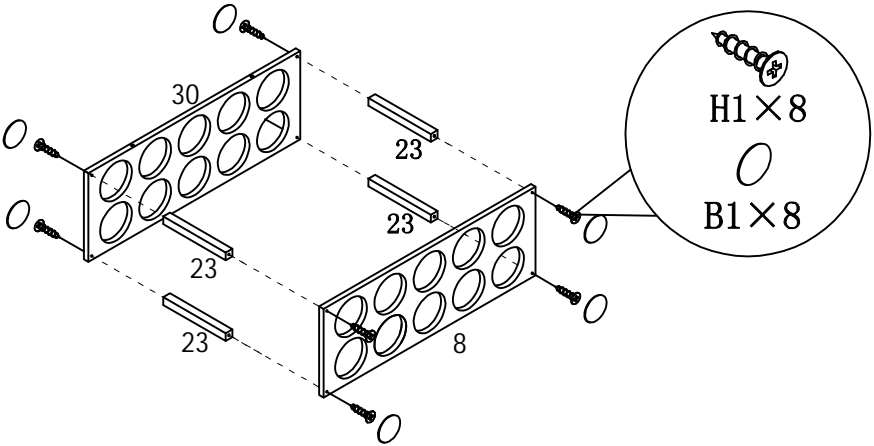
STEP12

STEP13



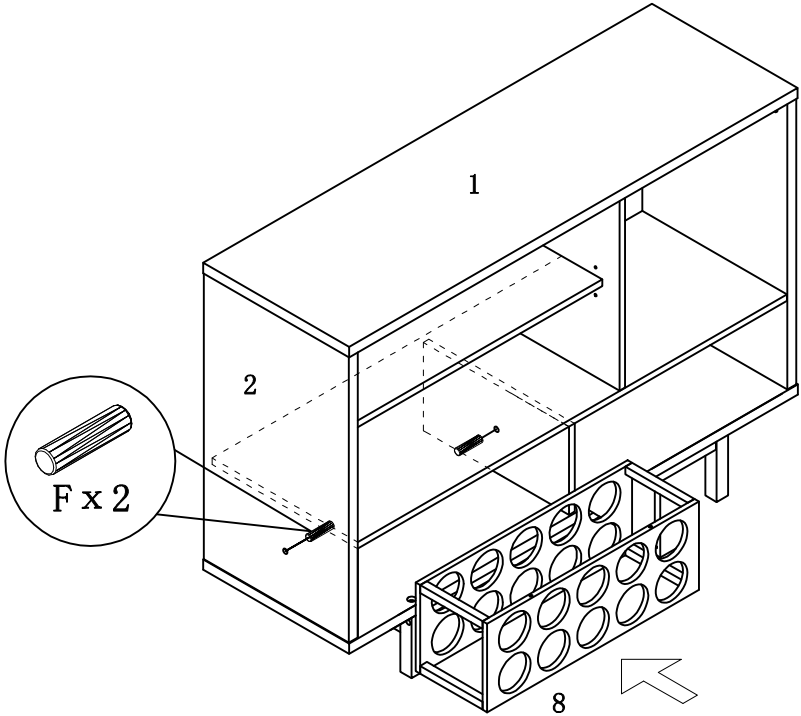
ASSEMBLY INSTRUCTION

ITEM#: 151369



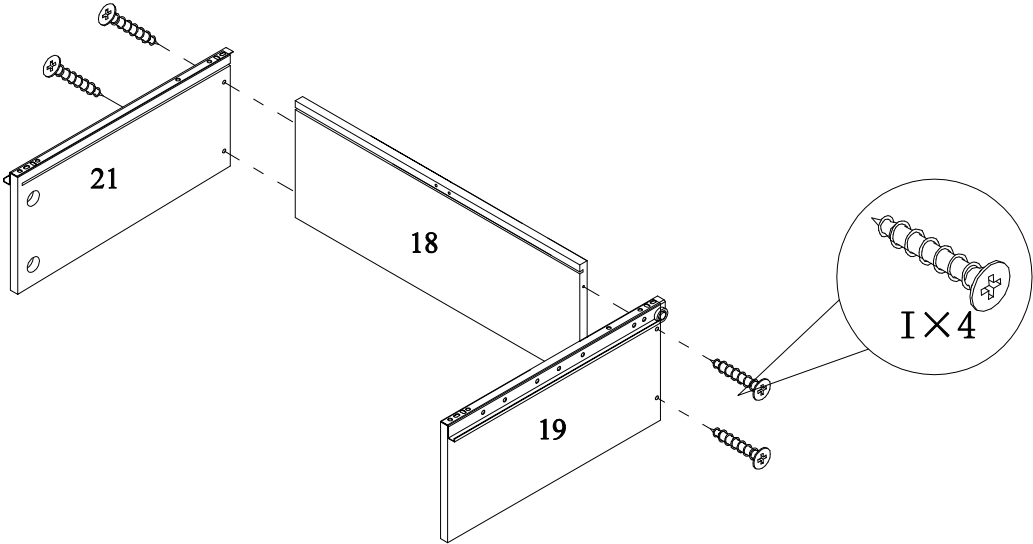
STEP 14

STEP 15



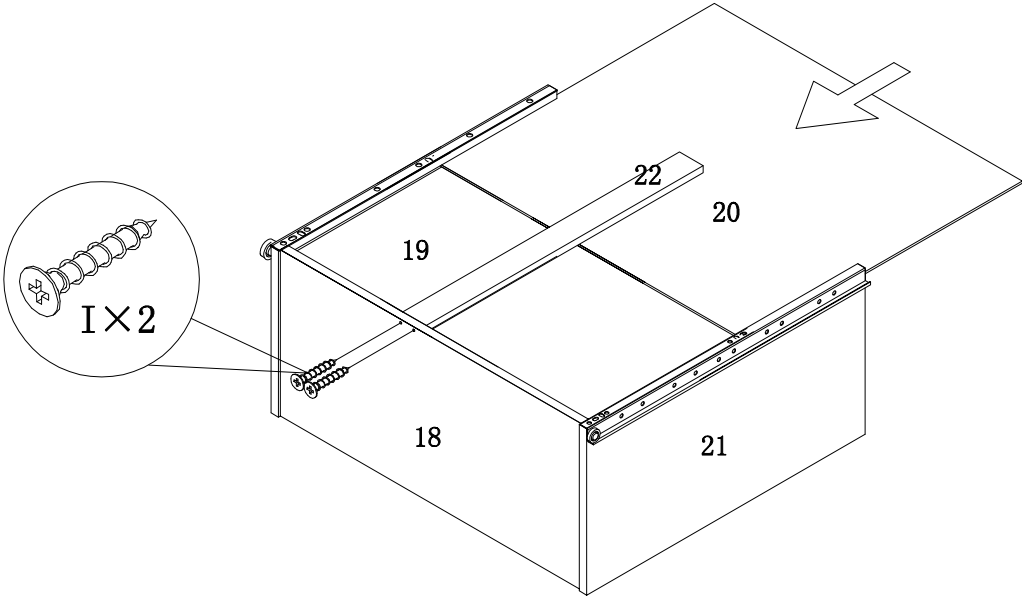
ASSEMBLY INSTRUCTION

ITEM#: 151369



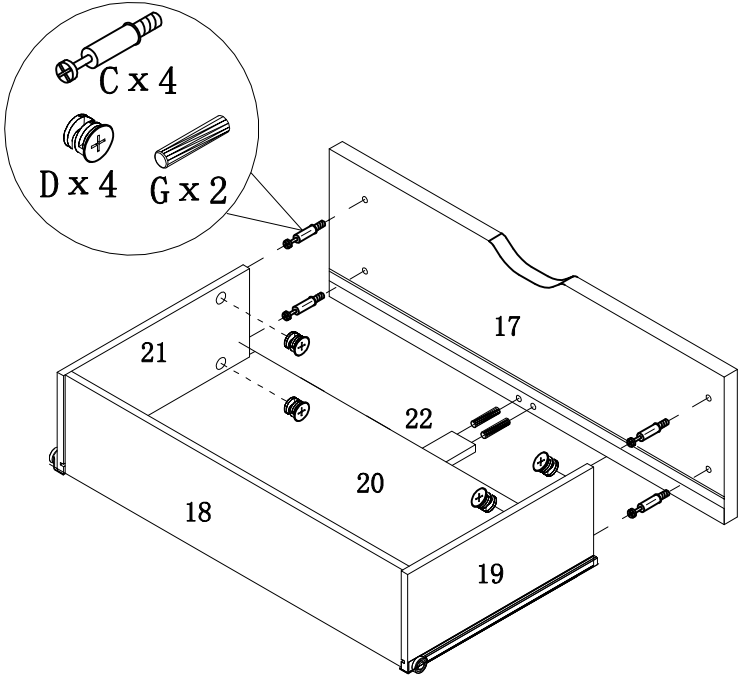
STEP 16

STEP 17



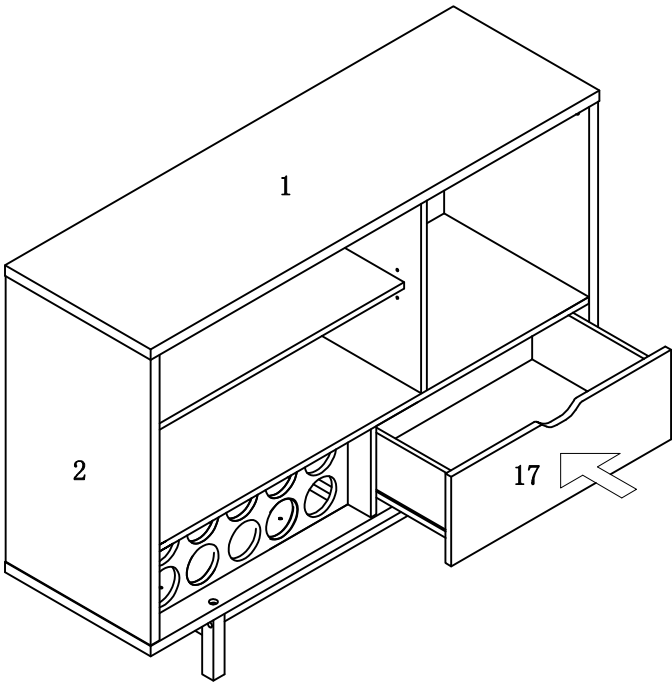
ASSEMBLY INSTRUCTION

ITEM#: 151369



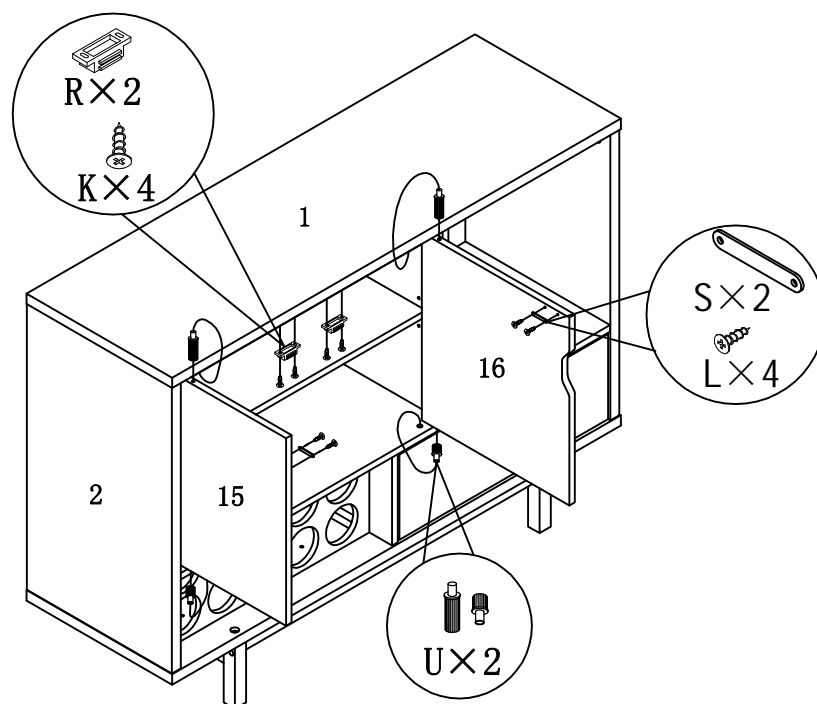
STEP 18

STEP 19



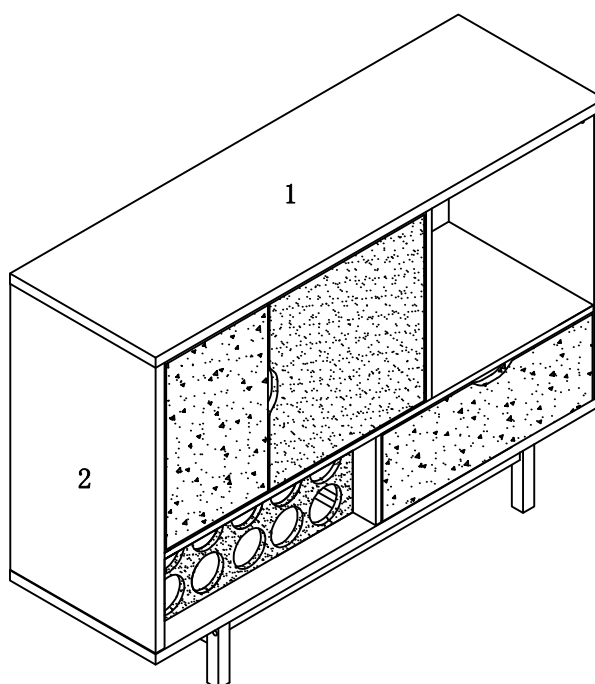
ASSEMBLY INSTRUCTION

ITEM#: 151369



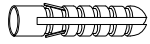
STEP20

STEP21

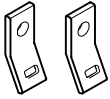


ANTI-TIPPING STRAP INSTRUCTION

HARDWARE (INCLUDED) :



DRYWALL ANCHOR $\phi 8 \times 40$ X 1PC



METAL BRACKETS $12 \times 12 \times 1$ X 2PCS



DRYWALL SCREW $\phi 5 \times 40$ X 1PC

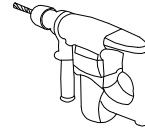


STRAP $197 \times 5 \times 1$ X 1PC



FLATHEAD SCREW $\phi 4 \times 25$ X 1PC

TOOLS NEEDED (NOT INCLUDED) :



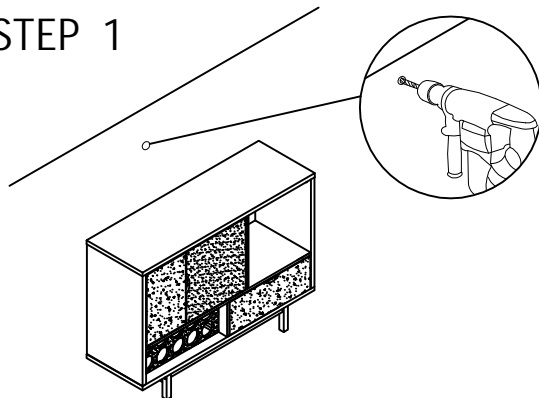
DRILL & DRILL BIT



LIGHT HAMMER

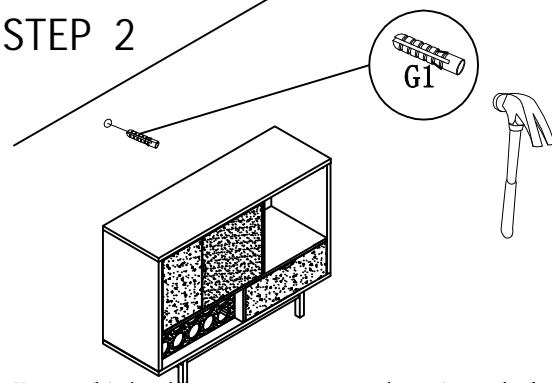
Note: Hardware included only compatible with standard drywalls.

STEP 1



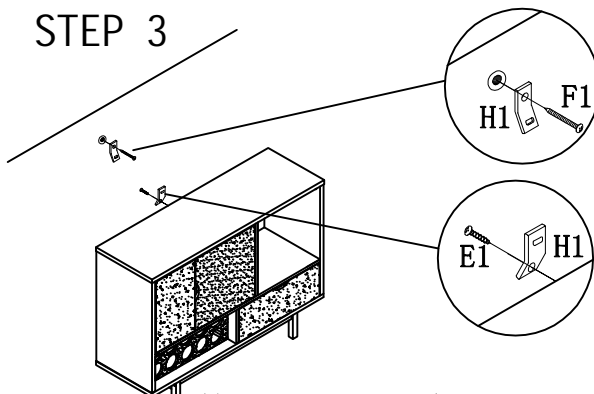
1. Find spot on wall 1" below top of item.
2. Using a drill bit slightly thinner than anchor, drill hole into drywall.

STEP 2



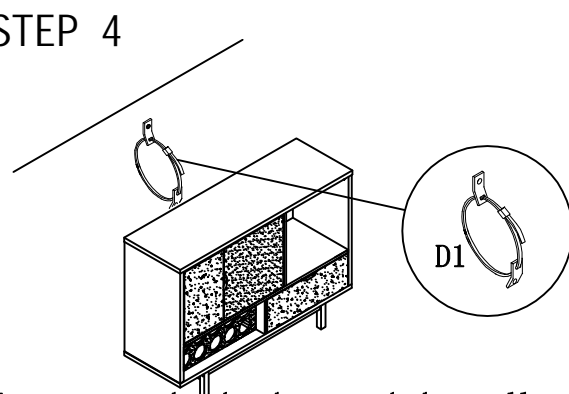
1. Use a light hammer to tap anchor into hole.
2. Anchor should fit snugly. If hole is too small, drill again to increase hole size. Do not force anchor into wall.

STEP 3



1. Insert drywall screw into metal bracket and into drywall anchor.
2. Insert flathead screw into second metal bracket and into back of item along top edge.

STEP 4



1. Insert strap thru bracket attached to wall, then thru bracket on item, and into head of strap.
 2. pull lightly til strap stops.
- Assembly is complete.