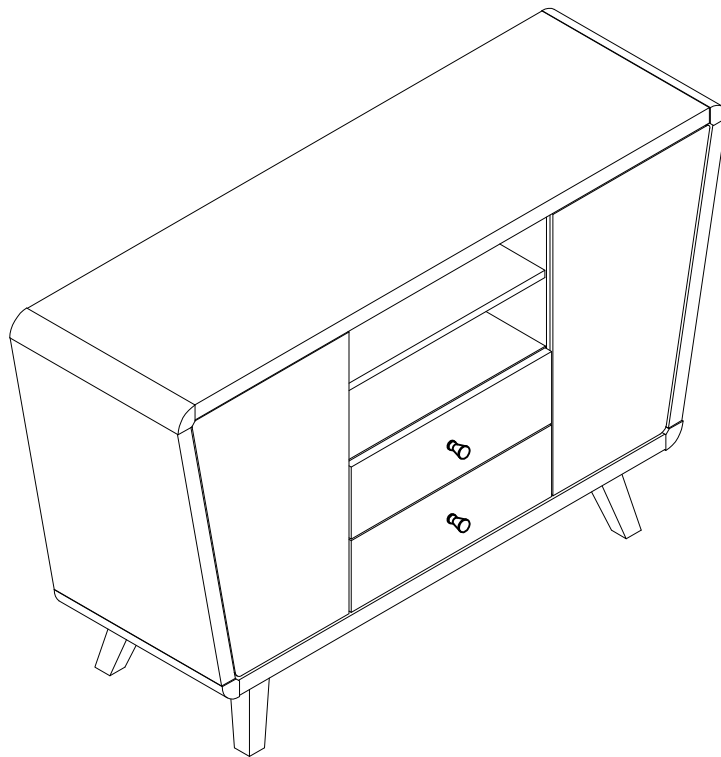


ASSEMBLY INSTRUCTION

ITEM#: 151378



ASSEMBLY INSTRUCTION

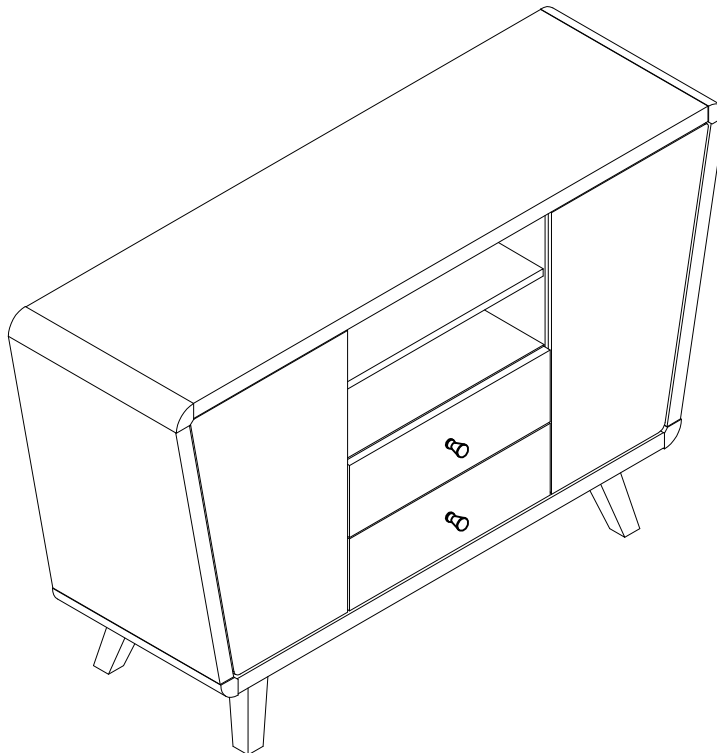
PLEASE READ BEFORE ASSEMBLING!

Tip #1: Make sure you've taken all the pieces and hardware out of its packaging before discarding the box. Assembly on top of flattened box/blanket is recommended.

Tip #2: Using page 2 and/or page 3 of instruction manual make sure all pieces and hardware are accounted for.

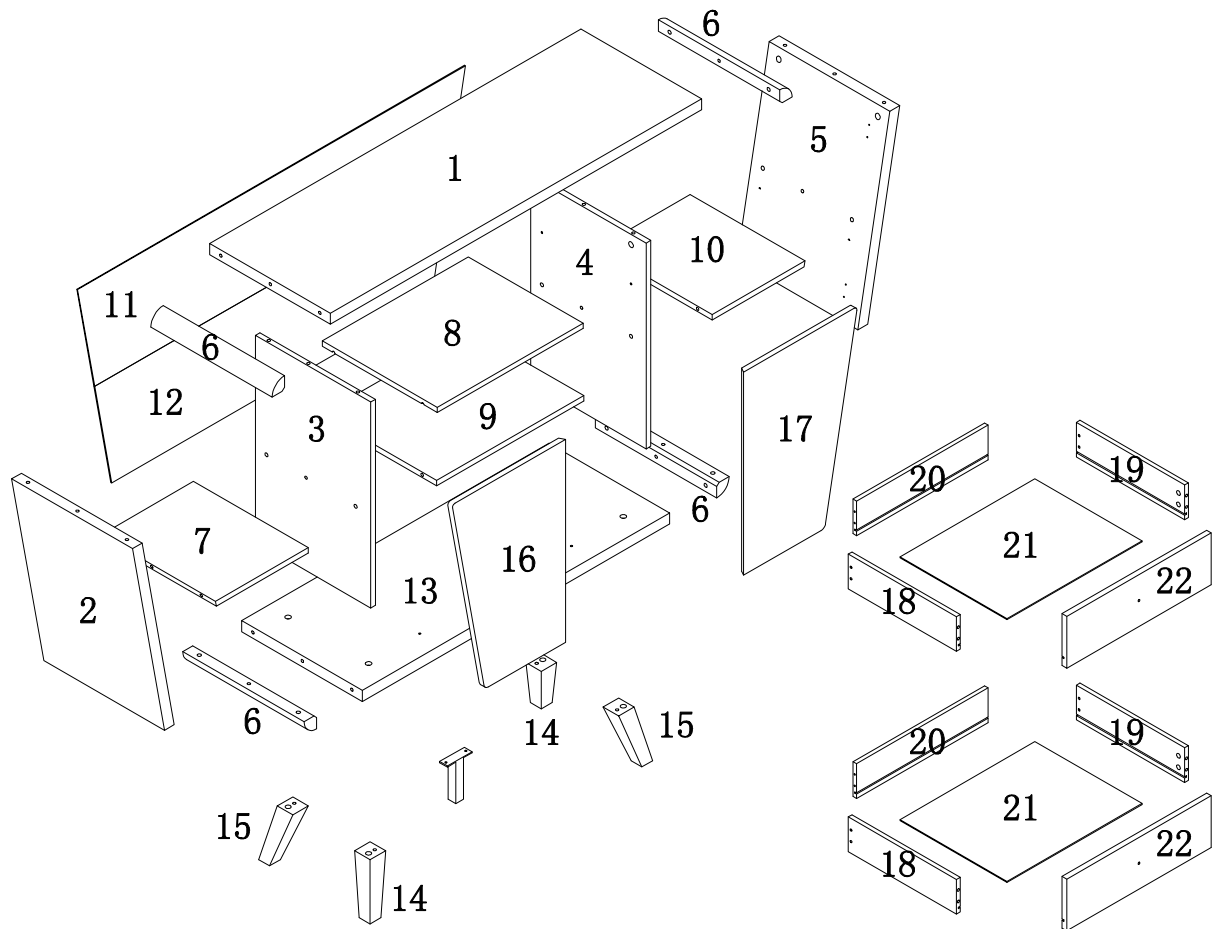
Tip #3: Note position of all holes on each panel during assembly.

ITEM#: 151378



PARTS IDENTIFICATION

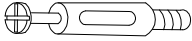

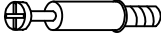


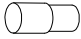

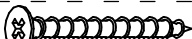
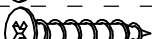




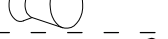



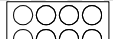

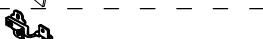

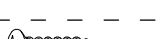
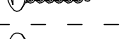
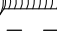
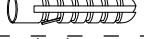

ITEM#: 151378



(1)	1pc	(9)	1pc	(17)	1pc
(2)	1pc	(10)	1pc	(18)	2pcs
(3)	1pc	(11)	1pc	(19)	2pcs
(4)	1pc	(12)	1pc	(20)	2pcs
(5)	1pc	(13)	1pc	(21)	2pcs
(6)	4pcs	(14)	2pcs	(22)	2pcs
(7)	1pc	(15)	2pcs		
(8)	1pc	(16)	1pc		

HARDWARE IDENTIFICATION

ITEM#: 151378

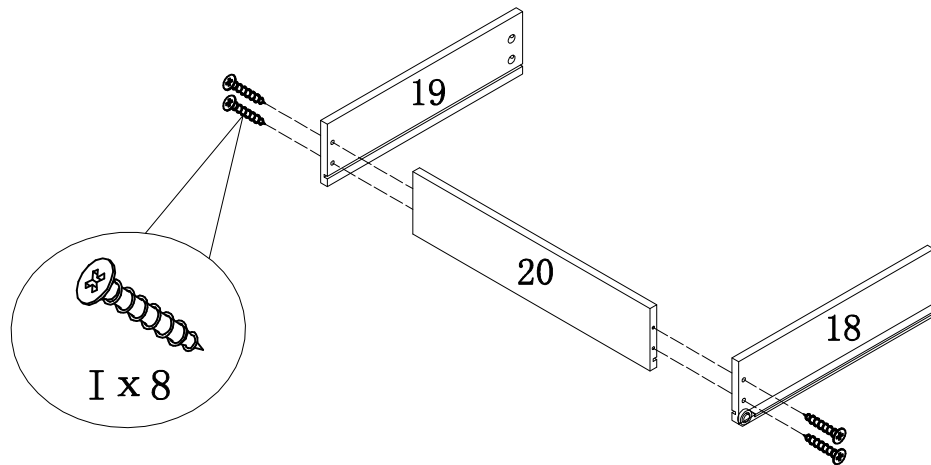
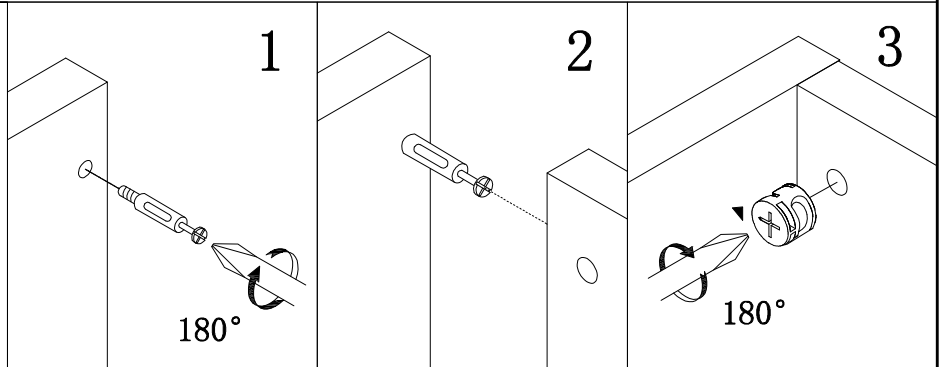
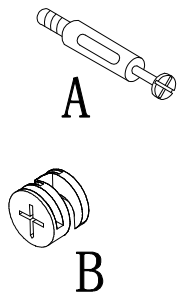
A		L29	32pcs
B		Ø15	32pcs
C		L20	8pcs
D		Ø12	8pcs
E		Ø8x25	26pcs
F		Ø5x15	4pcs
G		Ø4 x 16	16pcs
H		Ø4 x 40	4pcs
I		Ø4 x 30	8pcs
J		M8 x 35	4pcs
K		M5	1pc
L		Ø8 x Ø16x2	4pcs
M			2pcs
N		M4 x 22	2pcs
O		Z1016	30pcs
P		Ø16	4pcs
Q		Ø20	16pcs
R		80 x 25x152	1pc
S		301C	4pcs
T		197x5x1	1pc
U		Ø4x25	1pc
V		Ø5x40	1pc
W		Ø8x40	1pc
X		12x12x1	2pcs
Y			1pc
Z		M6 x 12	2pcs

Glue: For securing please apply to wood dowel first before inserting into panel

ASSEMBLY INSTRUCTION

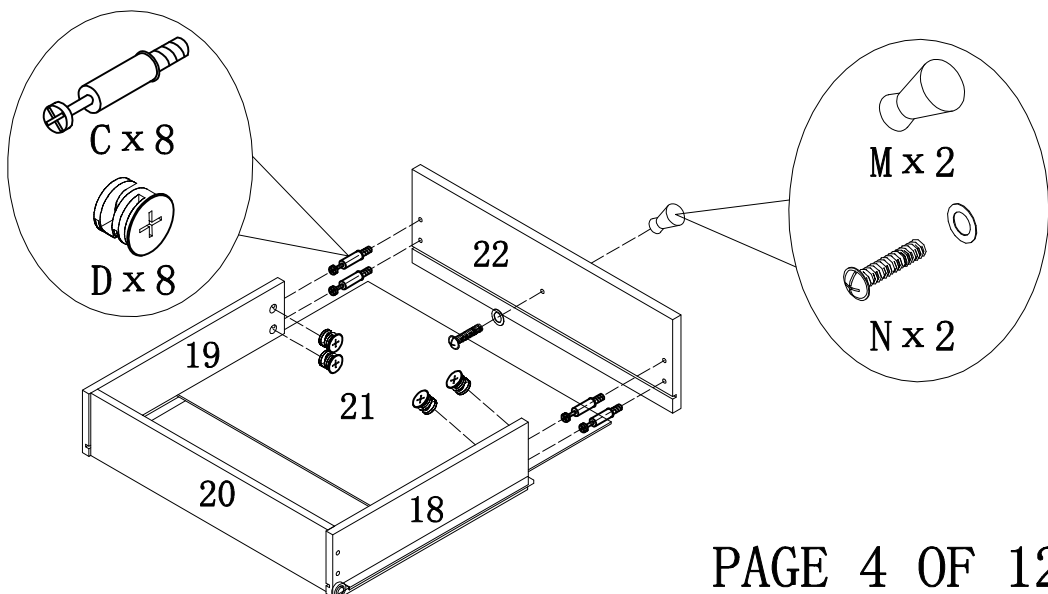
ITEM#: 151378

HOW TO



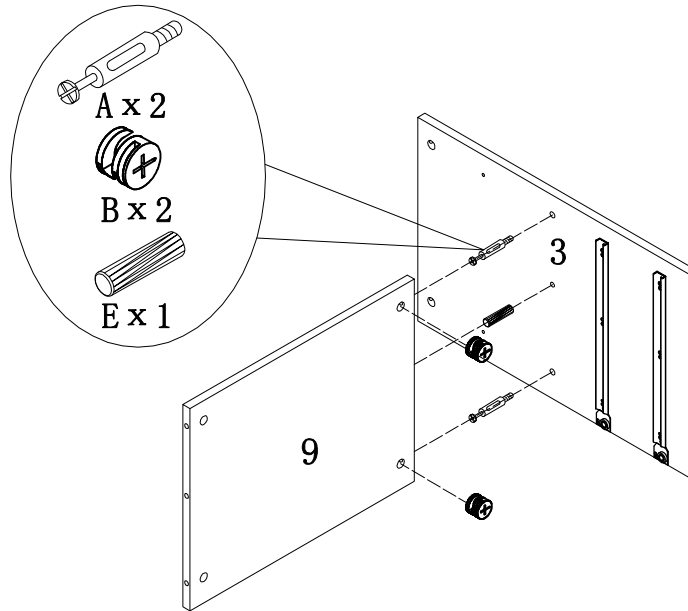
STEP 1

STEP 2



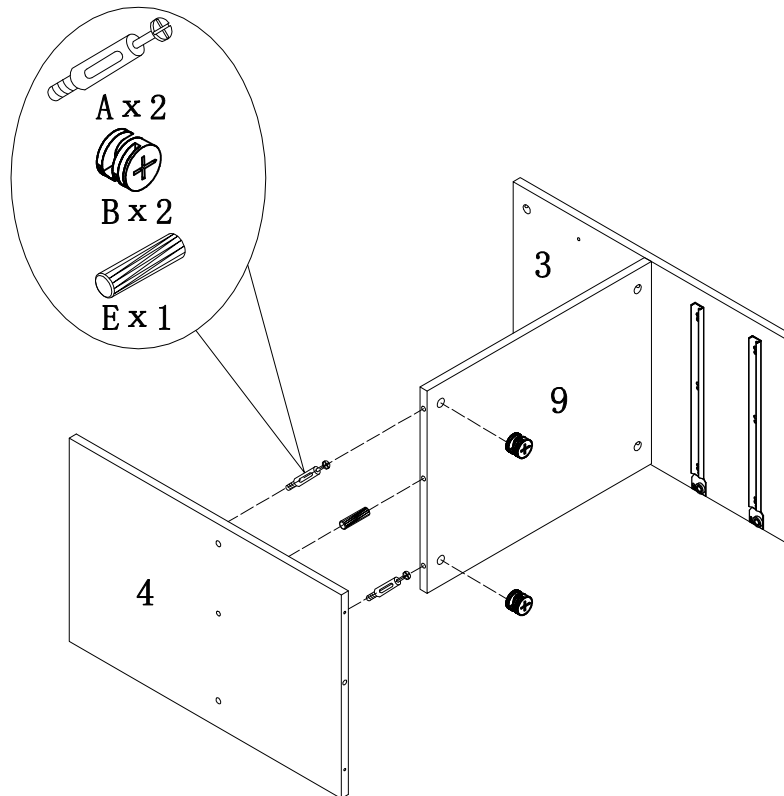
ASSEMBLY INSTRUCTION

ITEM#: 151378



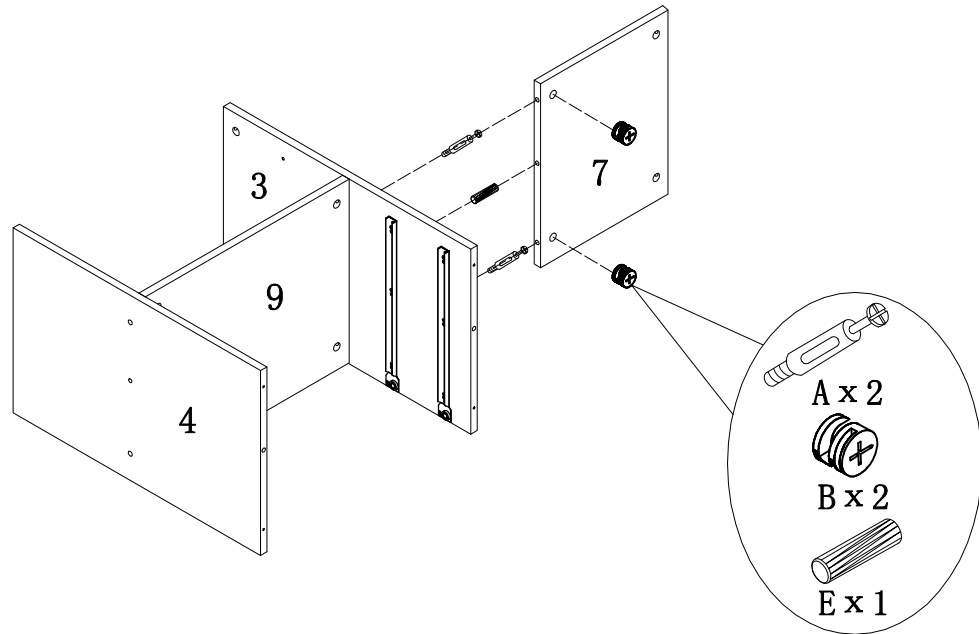
STEP3

STEP4



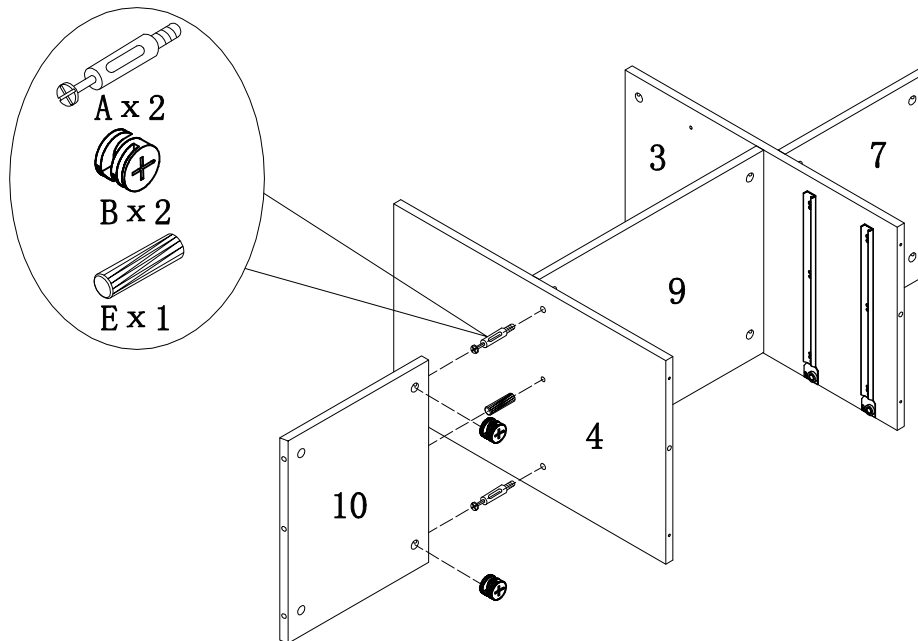
ASSEMBLY INSTRUCTION

ITEM#: 151378



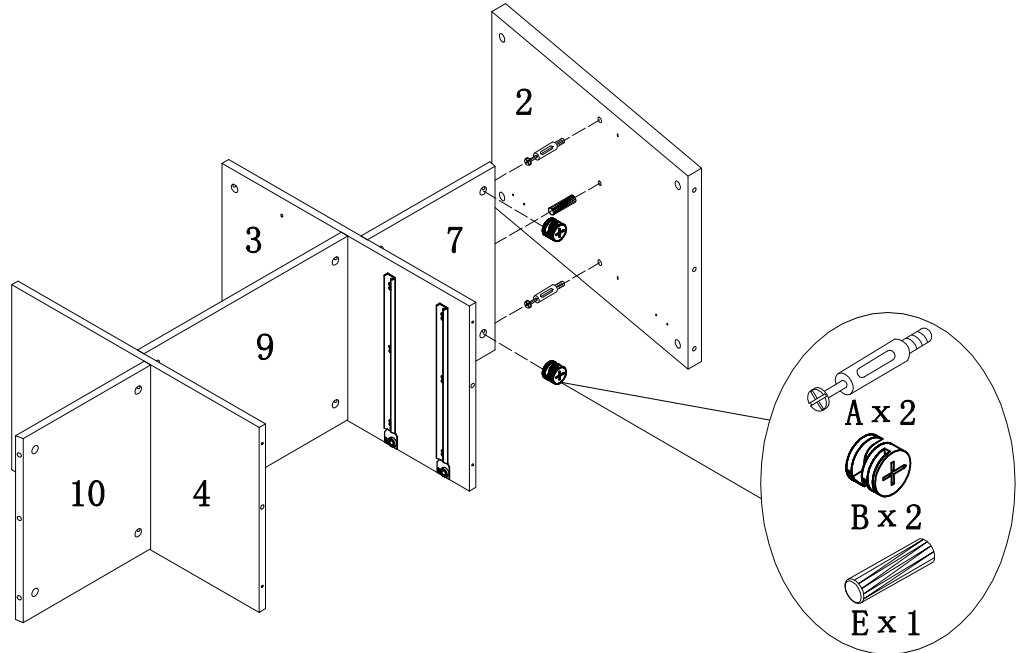
STEP5

STEP6



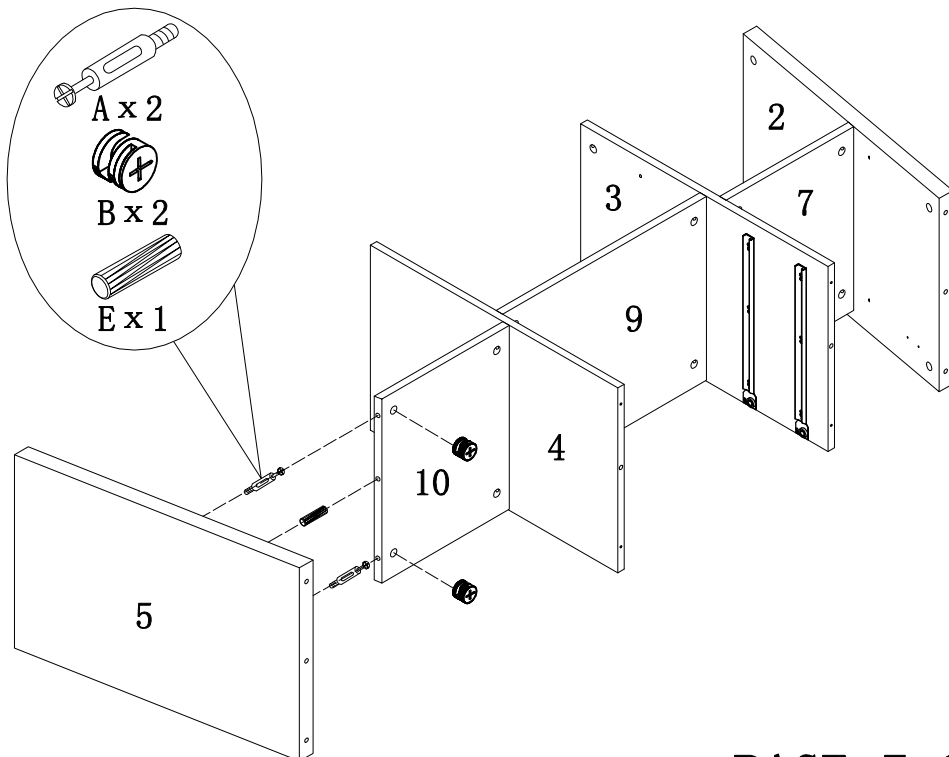
ASSEMBLY INSTRUCTION

ITEM#: 151378



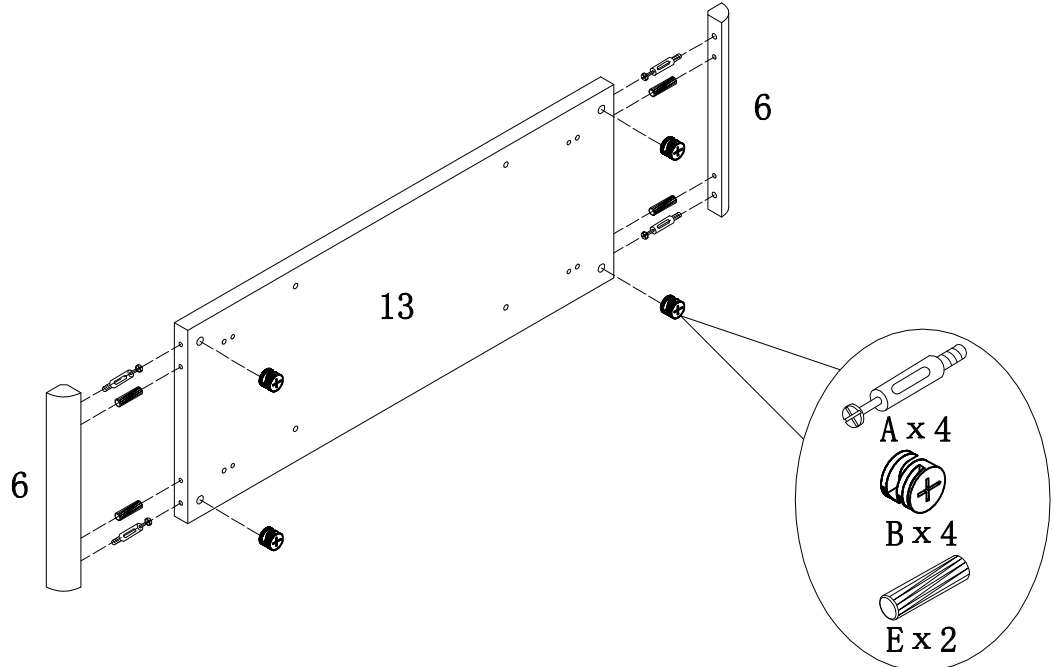
STEP7

STEP8



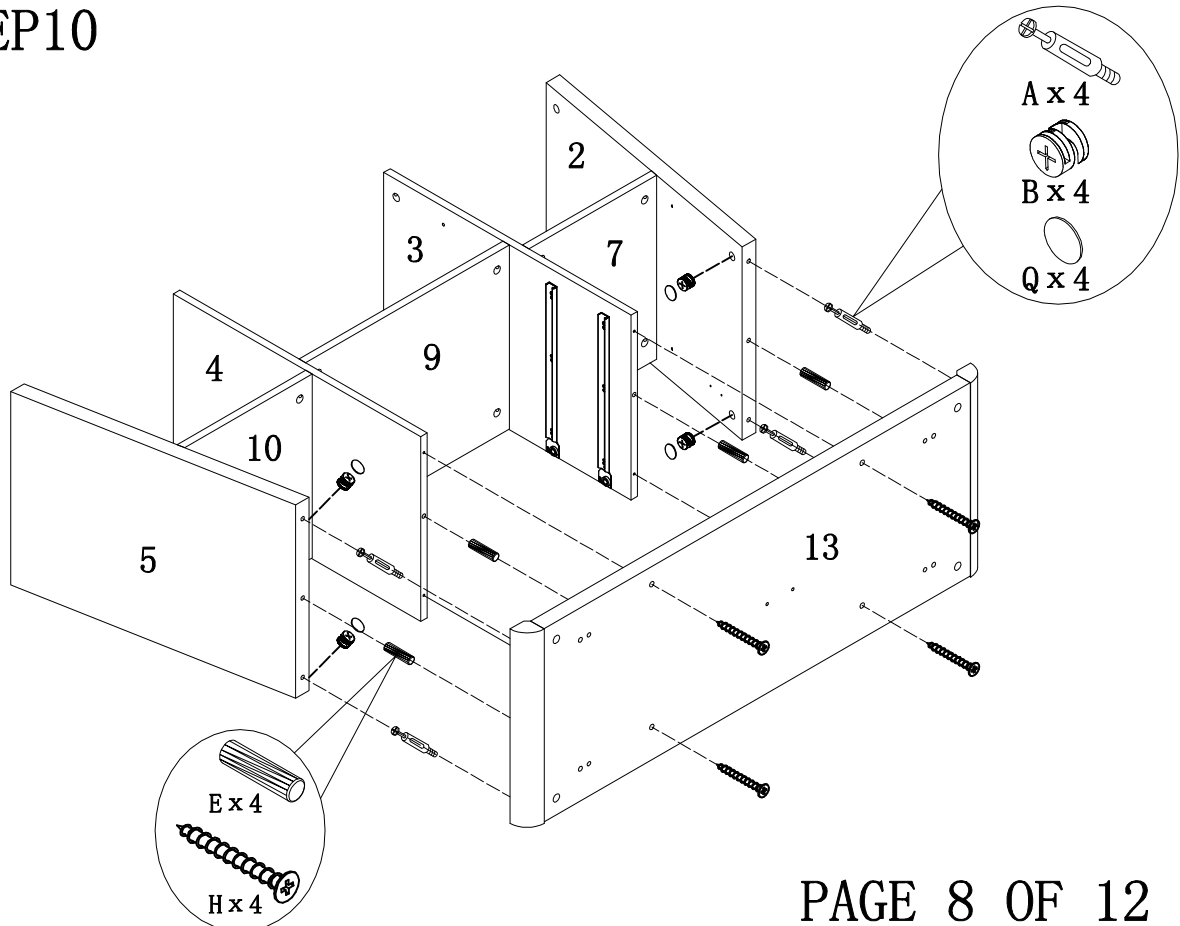
ASSEMBLY INSTRUCTION

ITEM#: 151378



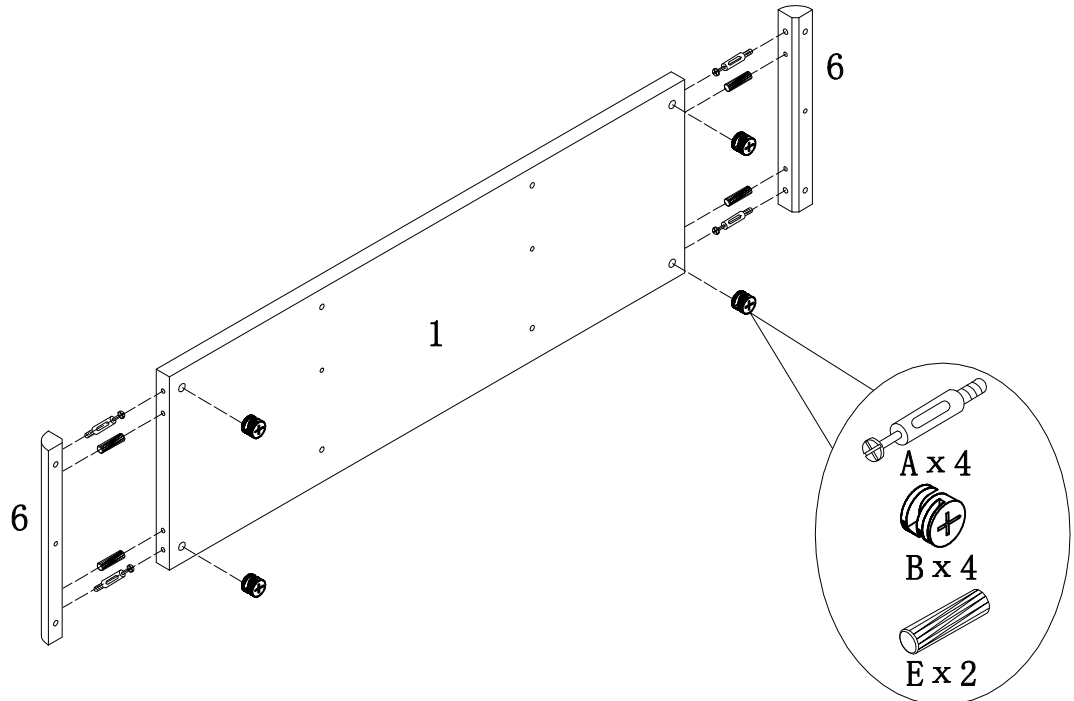
STEP9

STEP10



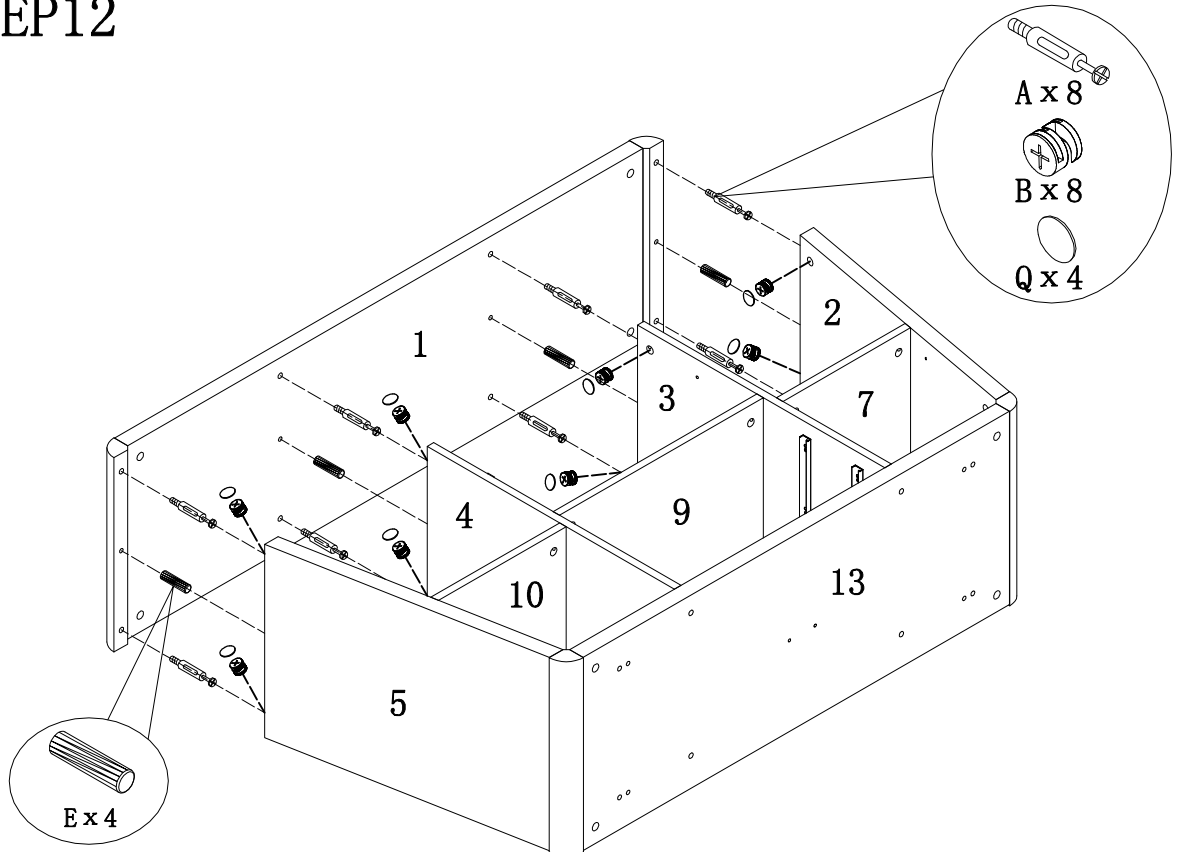
ASSEMBLY INSTRUCTION

ITEM#: 151378



STEP 11

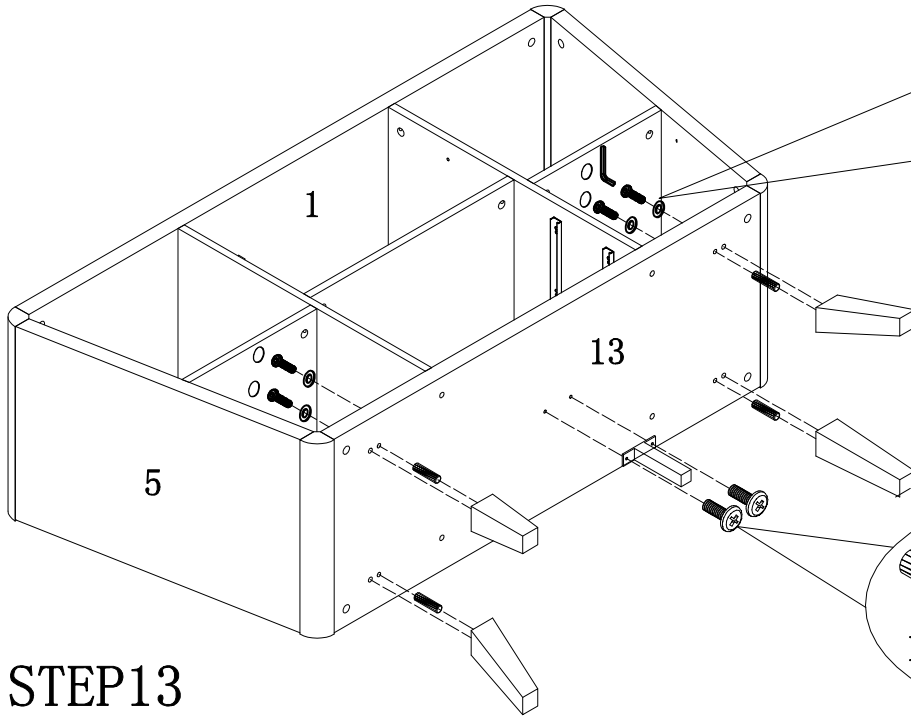
STEP 12



PAGE 9 OF 12

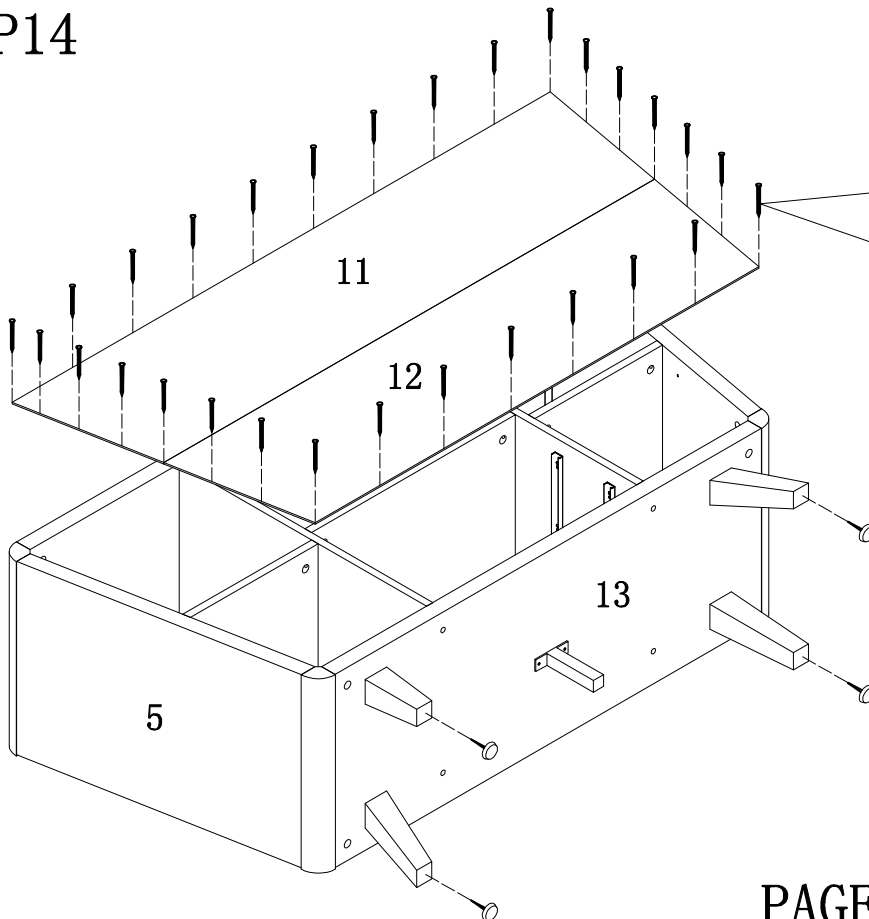
ASSEMBLY INSTRUCTION

ITEM#: 151378



STEP 13

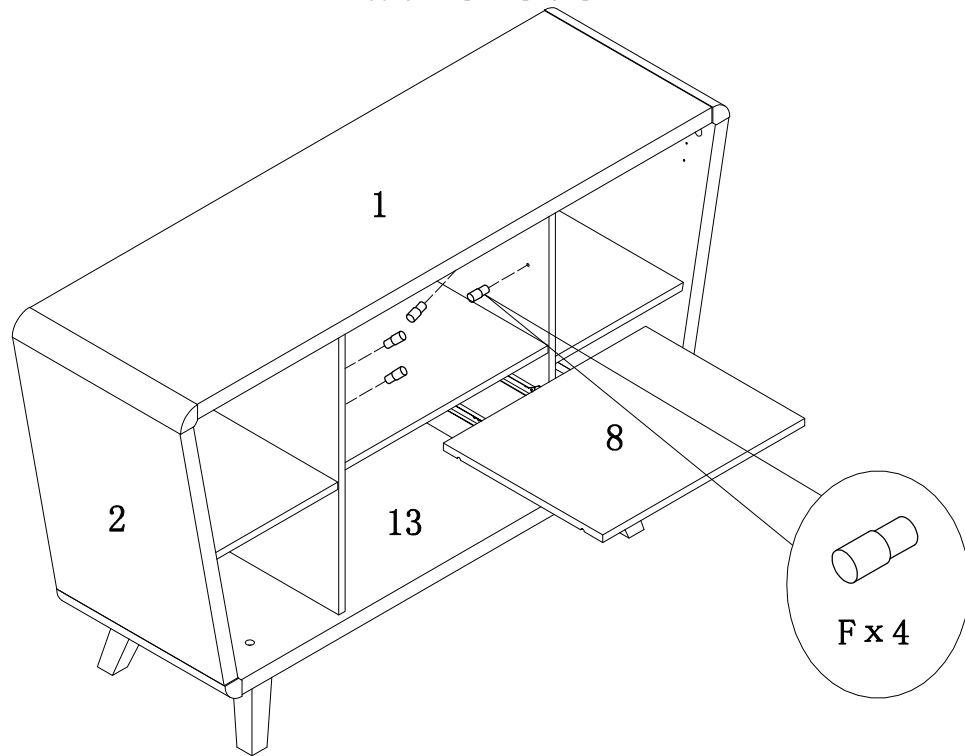
STEP 14



PAGE 10 OF 12

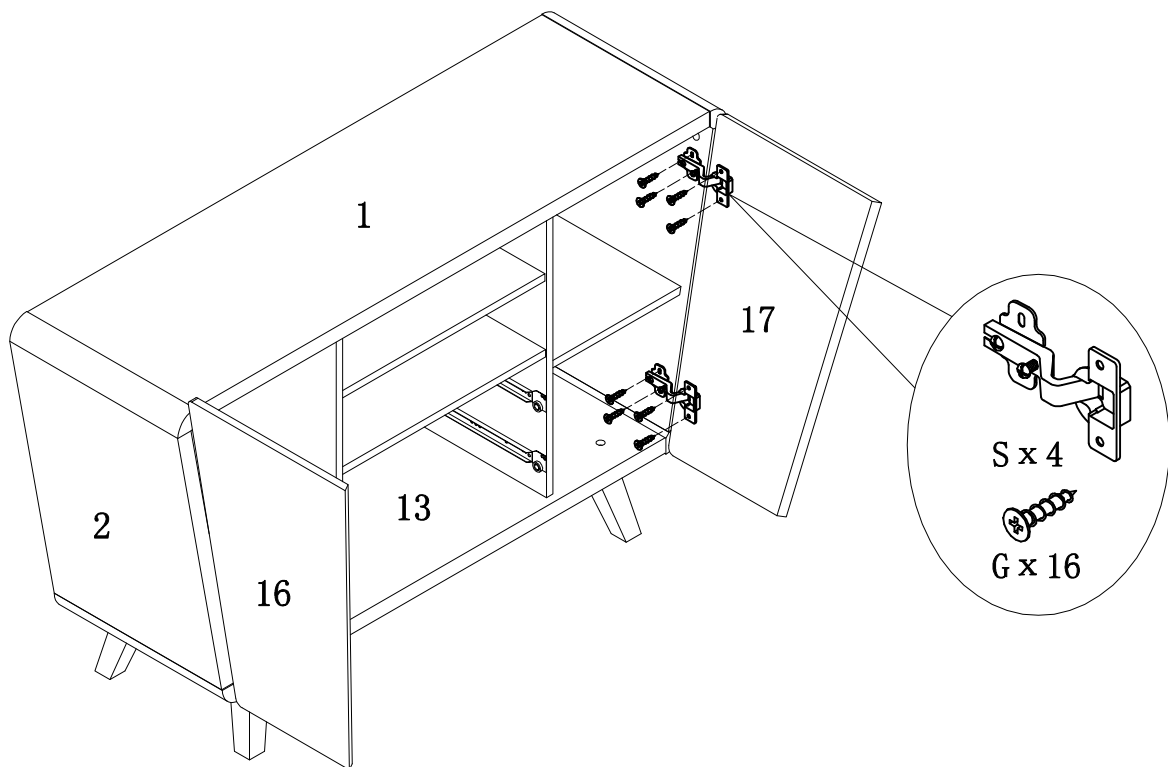
ASSEMBLY INSTRUCTION

ITEM#: 151378



STEP 15

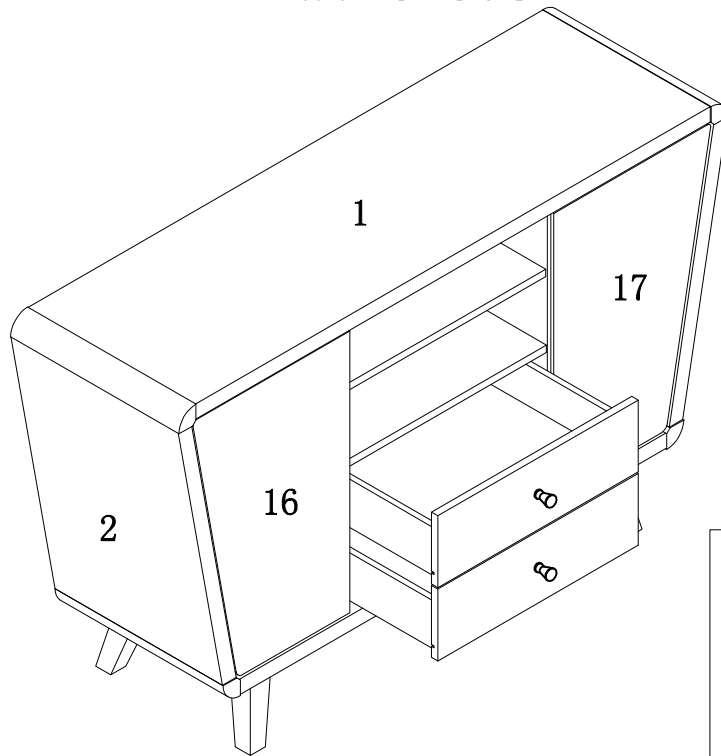
STEP 16



PAGE 11 OF 12

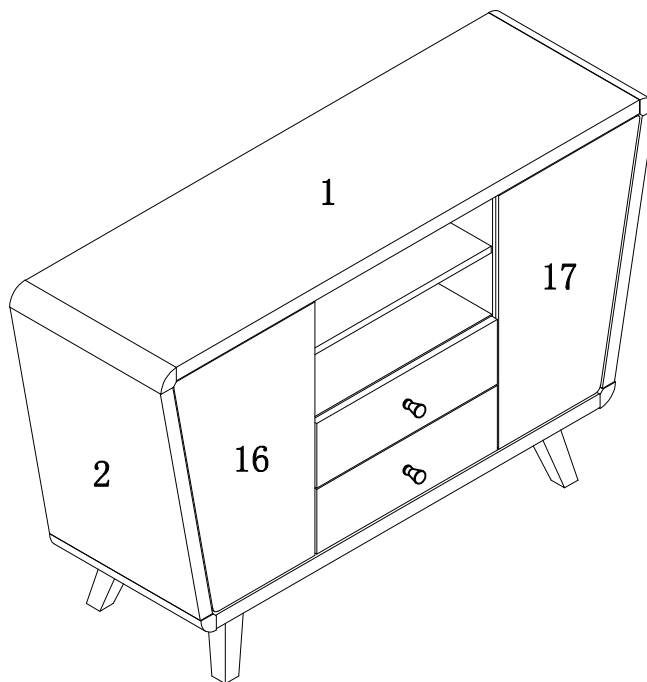
ASSEMBLY INSTRUCTION

ITEM#: 151378



STEP17

STEP18



ANTI-TIPPING STRAP INSTRUCTION

HARDWARE (INCLUDED) :

 DRYWALL ANCHOR $\phi 8 \times 40$ X 1PC

 METAL BRACKETS $12 \times 12 \times 1$ X 2PCS


 DRYWALL SCREW $\phi 5 \times 40$ X 1PC

 STRAP $197 \times 5 \times 1$ X 1PC

 FLATHEAD SCREW $\phi 4 \times 25$ X 1PC

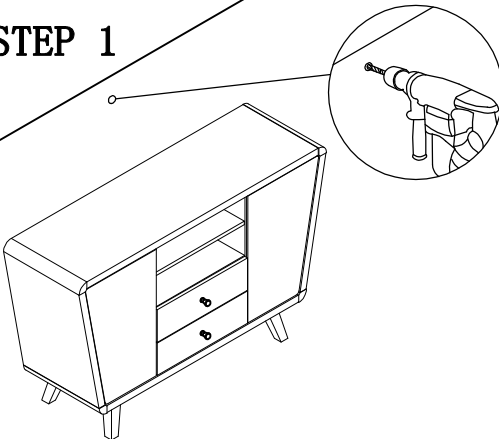
TOOLS NEEDED (NOT INCLUDED) :

 DRILL & DRILL BIT

 LIGHT HAMMER

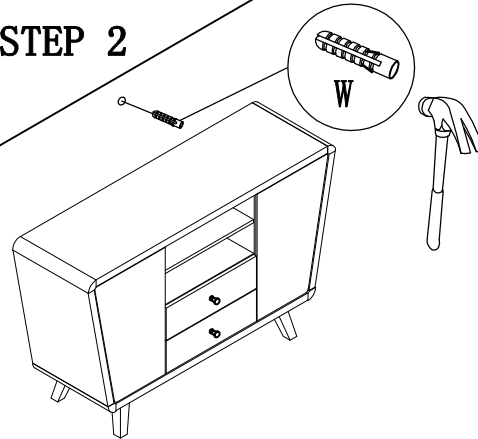
Note: Hardware included only compatible with standard drywalls.

STEP 1



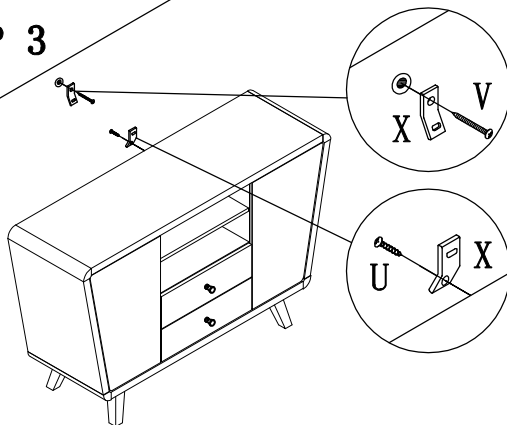
1. Find spot on wall 1" below top of item.
2. Using a drill bit slightly thinner than anchor, drill hole into drywall.

STEP 2



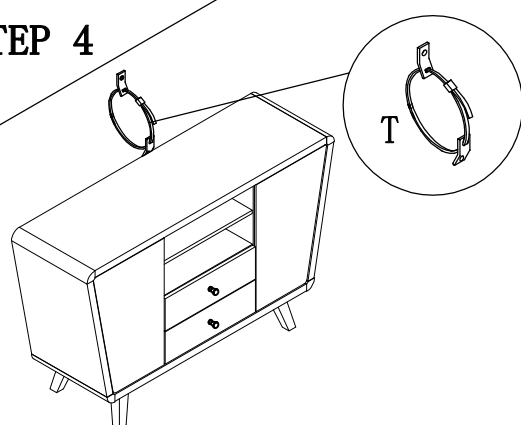
1. Use a light hammer to tap anchor into hole.
2. Anchor should fit snugly. If hole is too small, drill again to increase hole size. Do not force anchor into wall.

STEP 3



1. Insert drywall screw into metal bracket and into drywall anchor.
2. Insert flathead screw into second metal bracket and into back of item, along top edge.

STEP 4



1. Insert strap thru bracket attached to wall, then thru bracket on item, and into head of strap.
 2. pull lightly til strap stops.
- Assembly is complete.