

ASSEMBLY INSTRUCTION

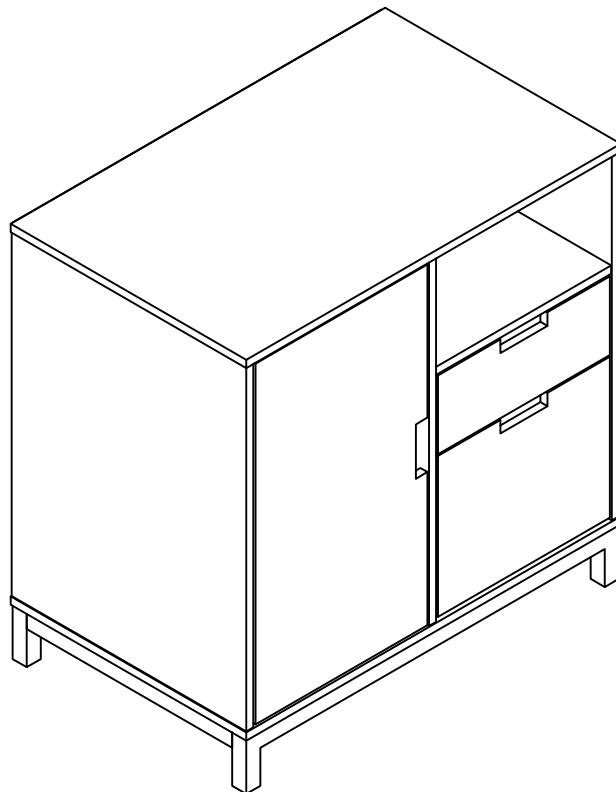
PLEASE READ BEFORE ASSEMBLING!

Tip #1: Make sure you've taken all the pieces and hardware out of its packaging before discarding the box. Assembly on top of flattened box/blanket is recommended.

Tip #2: Using page 2 and/or page 3 of instruction manual make sure all pieces and hardware are accounted for.

Tip #3: Note position of all holes on each panel during assembly.

ITEM#: 151394

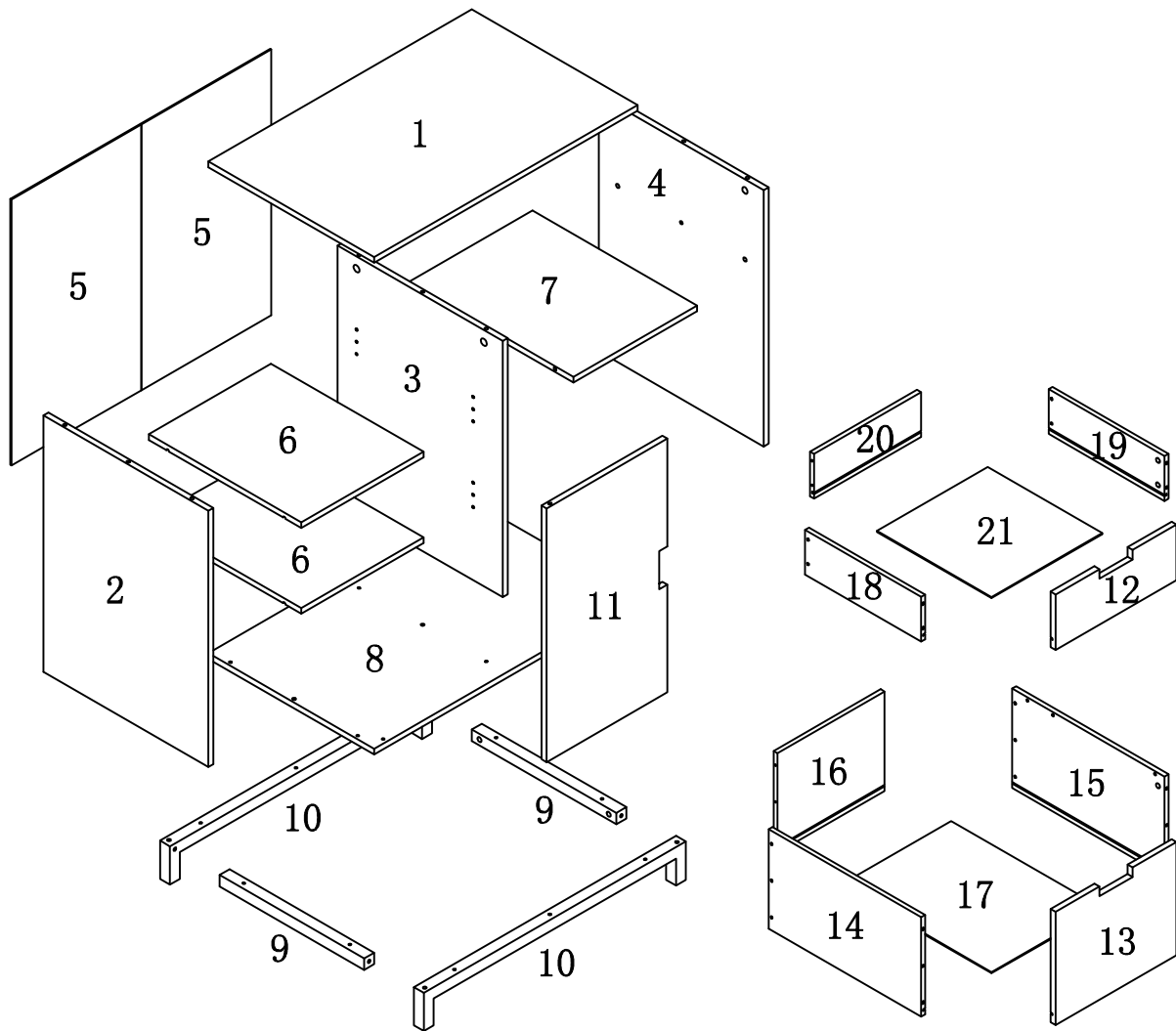


Need some help?
Scan here for
assembly video.



PARTS IDENTIFICATION

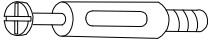

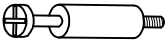

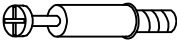


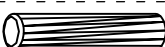
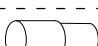





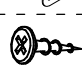

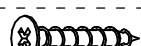
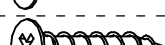


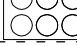

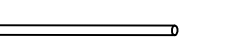
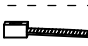
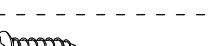
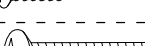
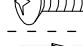

ITEM#: 151394



(1)	1pc	(8)	1pc	(15)	1pc
(2)	1pc	(9)	2pcs	(16)	1pc
(3)	1pc	(10)	2pcs	(17)	1pc
(4)	1pc	(11)	1pc	(18)	1pc
(5)	2pcs	(12)	1pc	(19)	1pc
(6)	2pcs	(13)	1pc	(20)	1pc
(7)	1pc	(14)	1pc	(21)	1pc

HARDWARE IDENTIFICATION

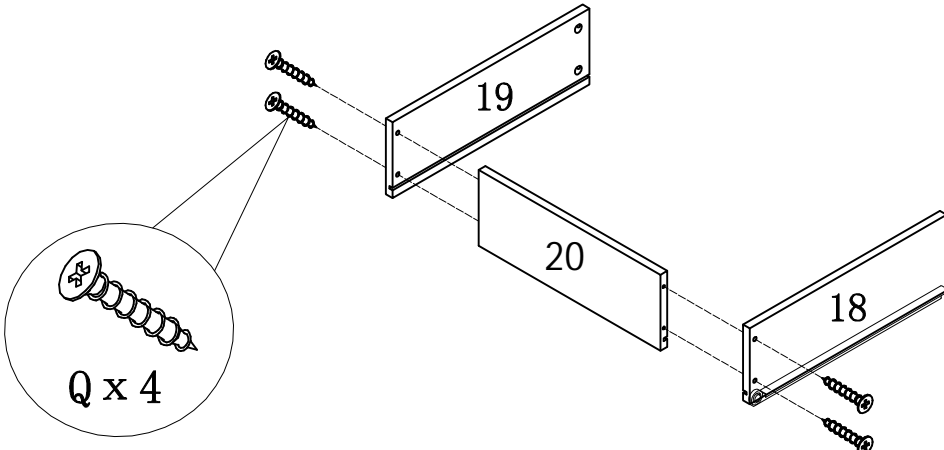
ITEM#: 151394

A		L29	10pcs
B		□15	10pcs
C		L24	4pcs
D		□12	4pcs
E		L20	8pcs
F		□12	8pcs
G		□8x25	8pcs
H		□6x30	2pcs
I		□5x10	8pcs
J		M6x90	4pcs
K		M4	1pc
L			1pc
M			1pc
N			1pc
O		□3x14	2pcs
P		□3x16	2pcs
Q		□4x30	16pcs
R		□4x35	10pcs
S			30pcs
T		□20	6pcs
U		□5x9	2pcs
V		□5x330	2pcs
W		197×5×1	1pc
S		□4x25	1pc
Y		□5x40	1pc
Z		□8 x 40	1pc
A1		12×12×1	2pcs
A2			1pc

Glue: For securing please apply to wood dowel first before inserting into panel

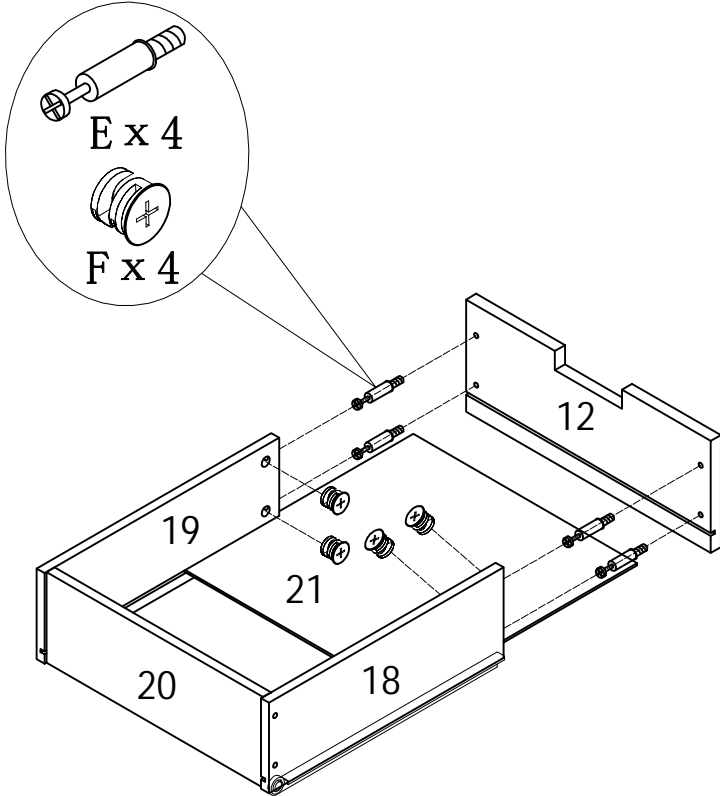
ASSEMBLY INSTRUCTION

ITEM#: 151394



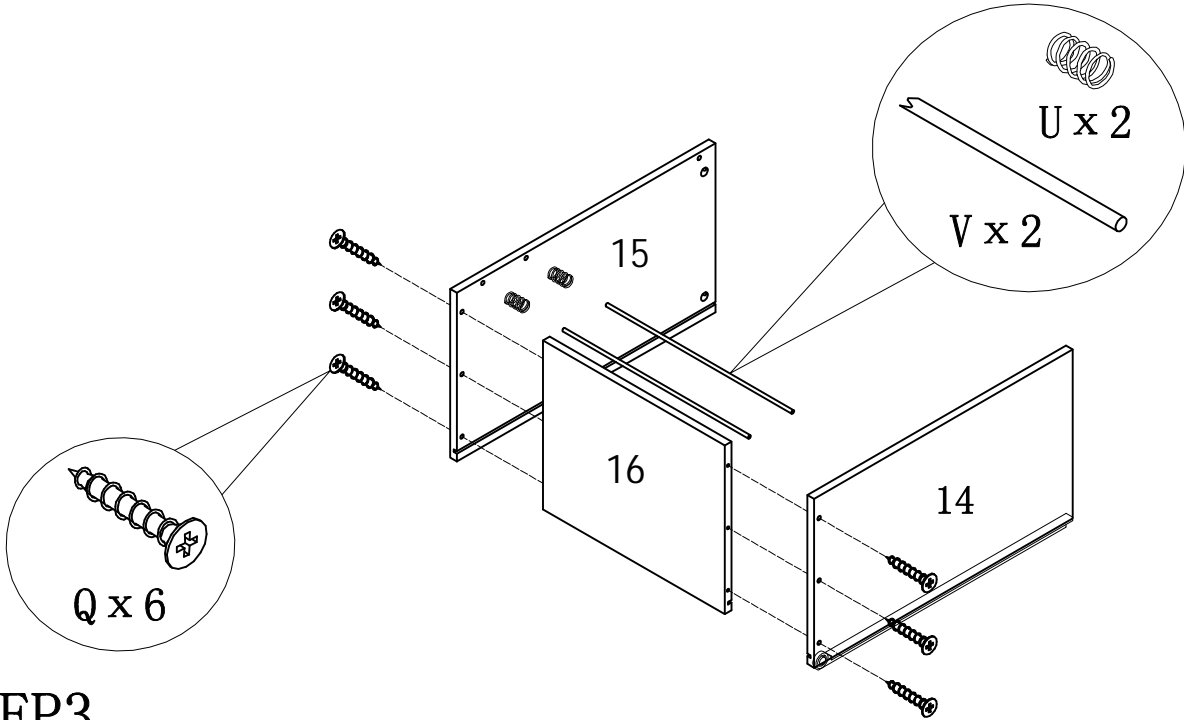
STEP 1

STEP 2



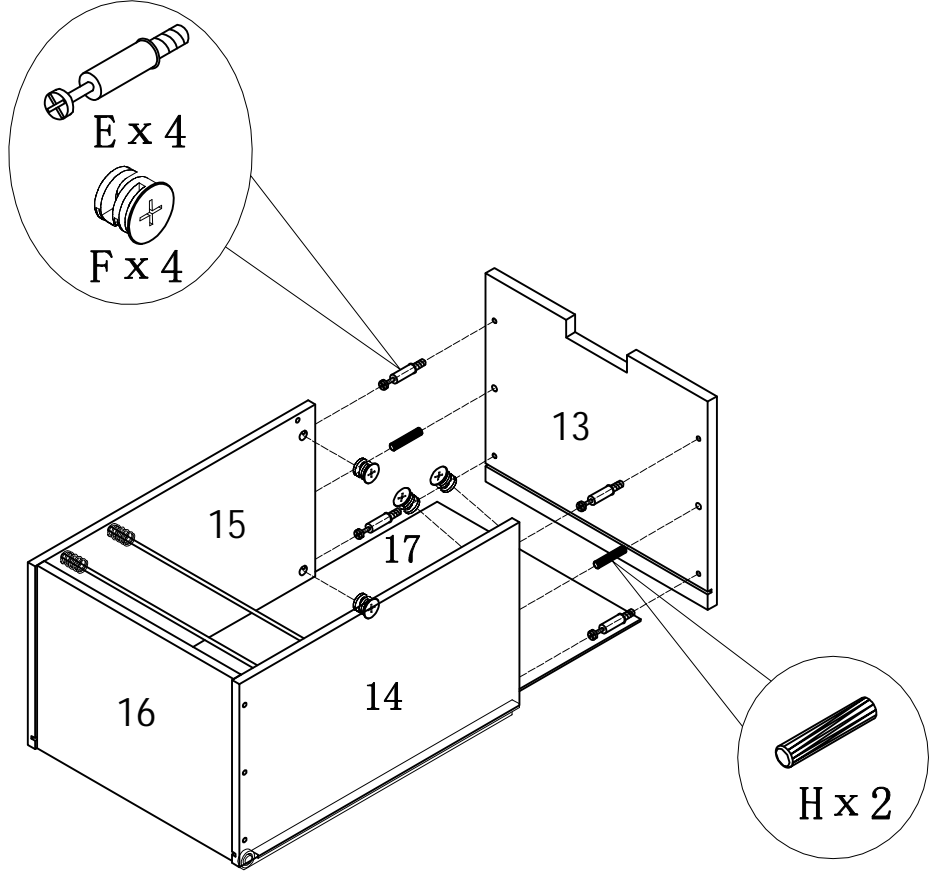
ASSEMBLY INSTRUCTION

ITEM#: 151394



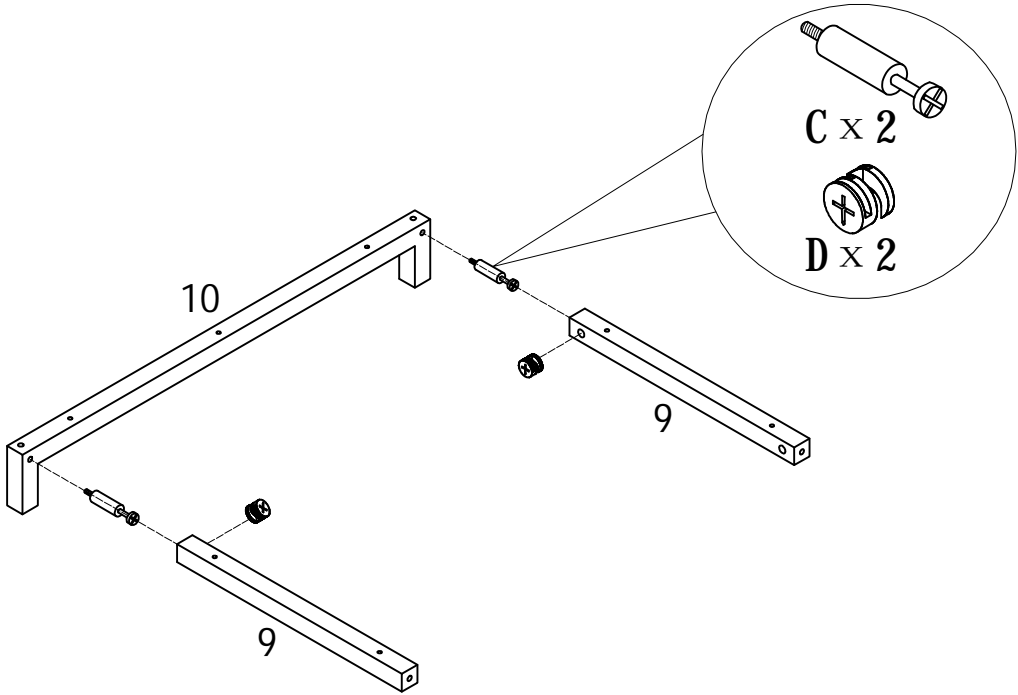
STEP3

STEP4



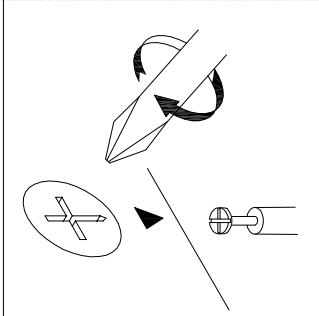
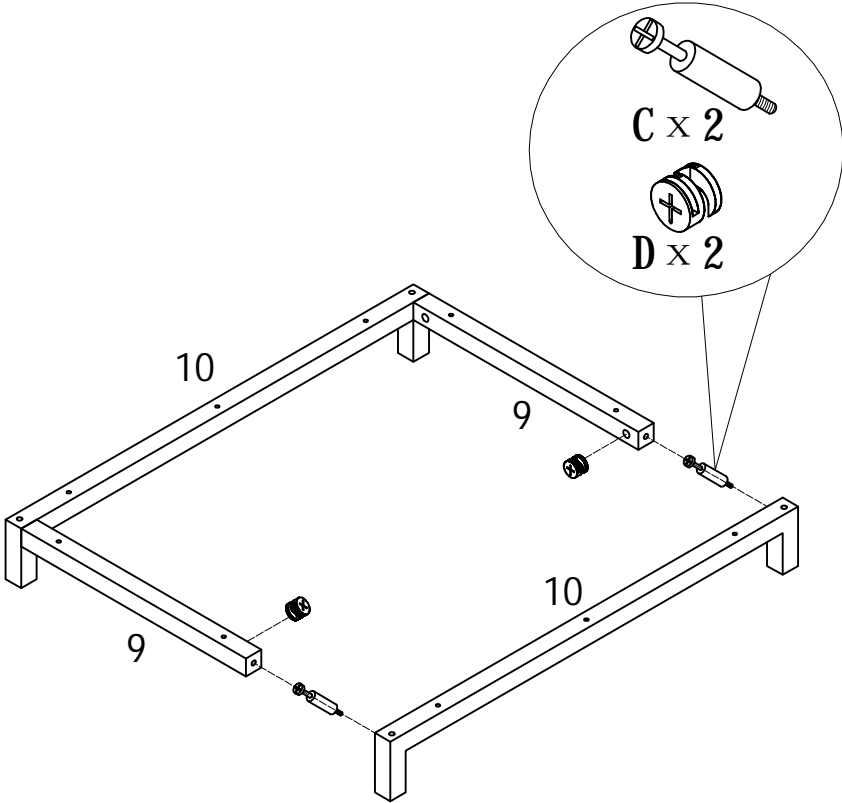
ASSEMBLY INSTRUCTION

ITEM#: 151394



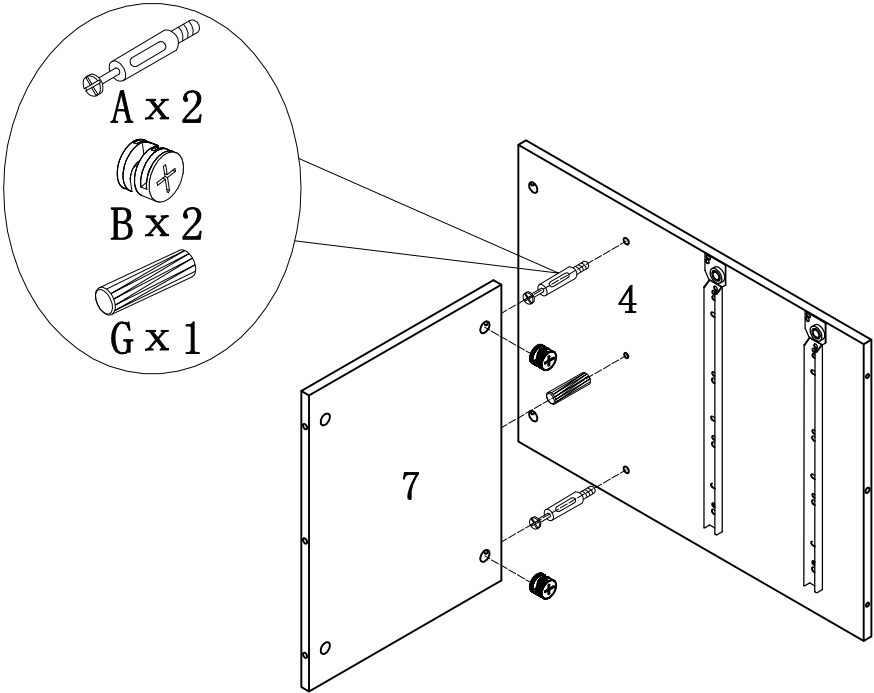
STEP5

STEP6



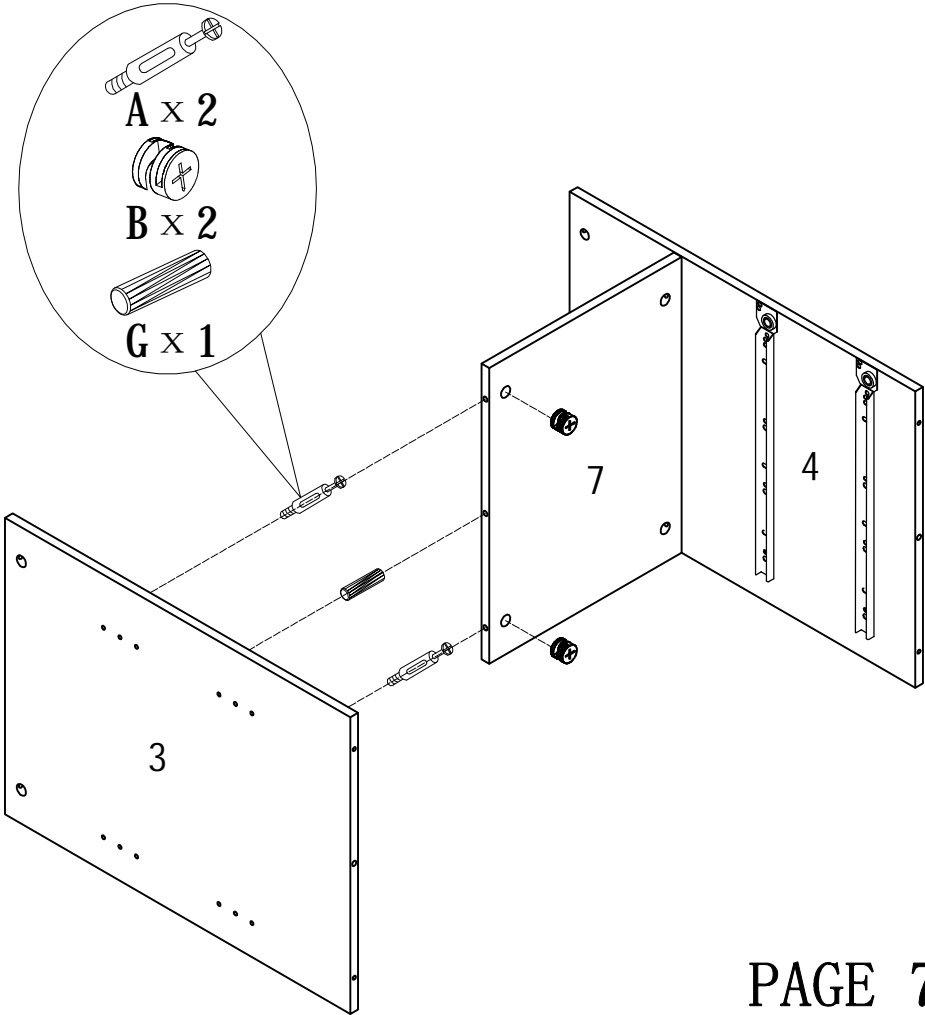
ASSEMBLY INSTRUCTION

ITEM#: 151394



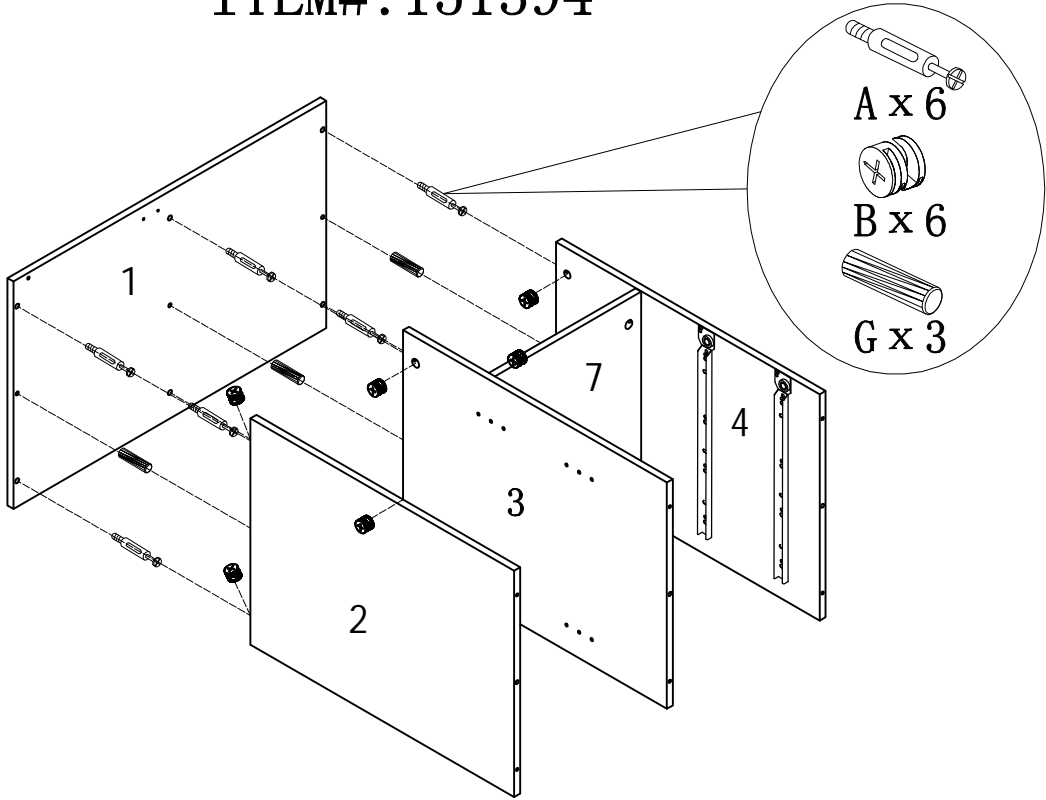
STEP 7

STEP 8



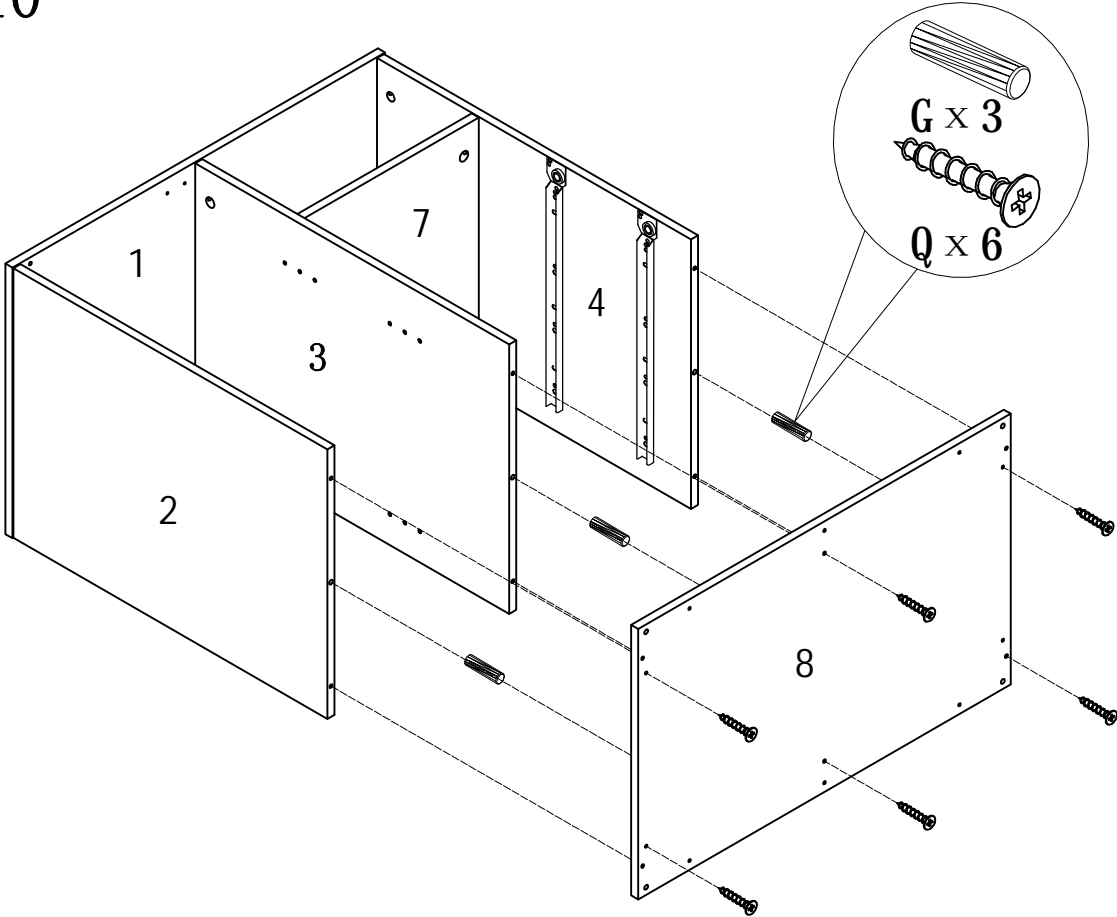
ASSEMBLY INSTRUCTION

ITEM#: 151394



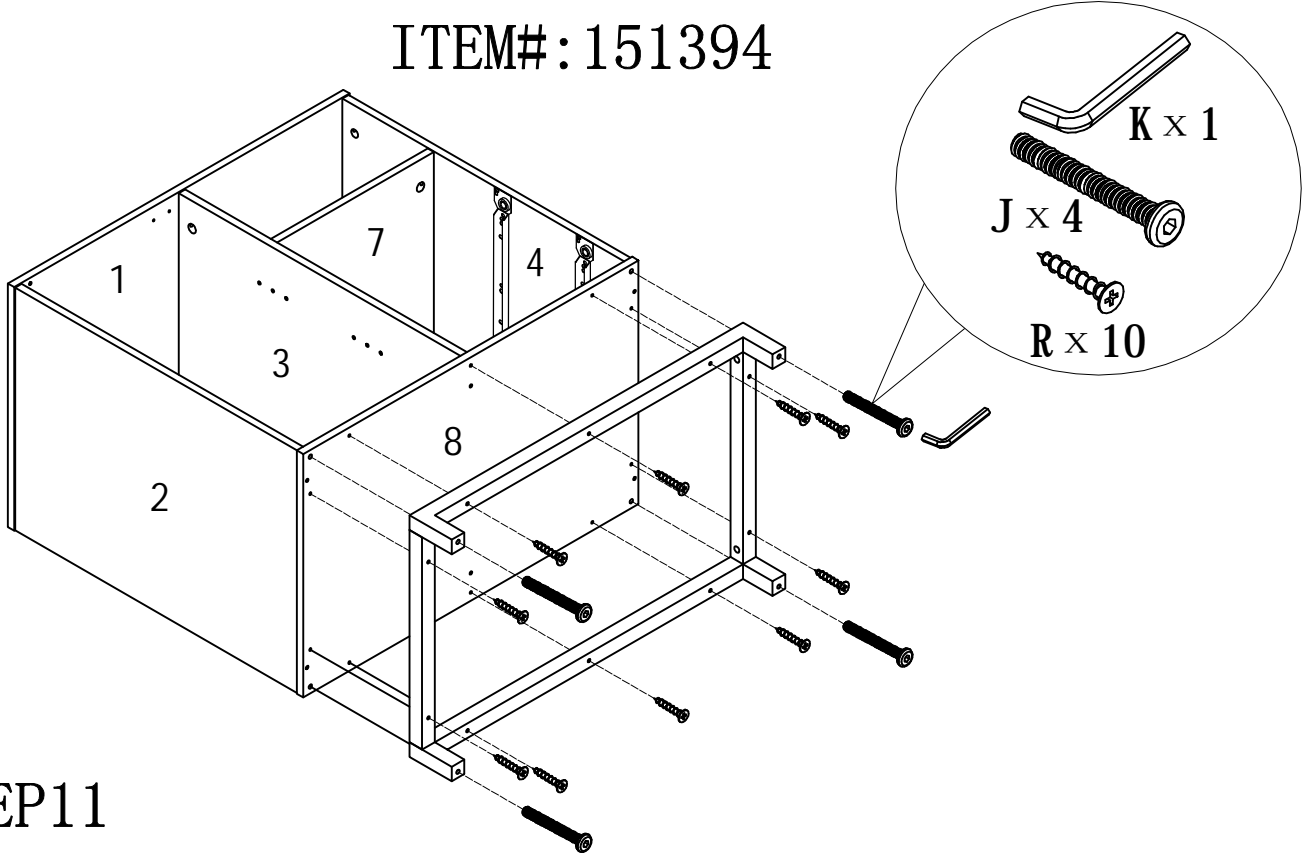
STEP9

STEP10



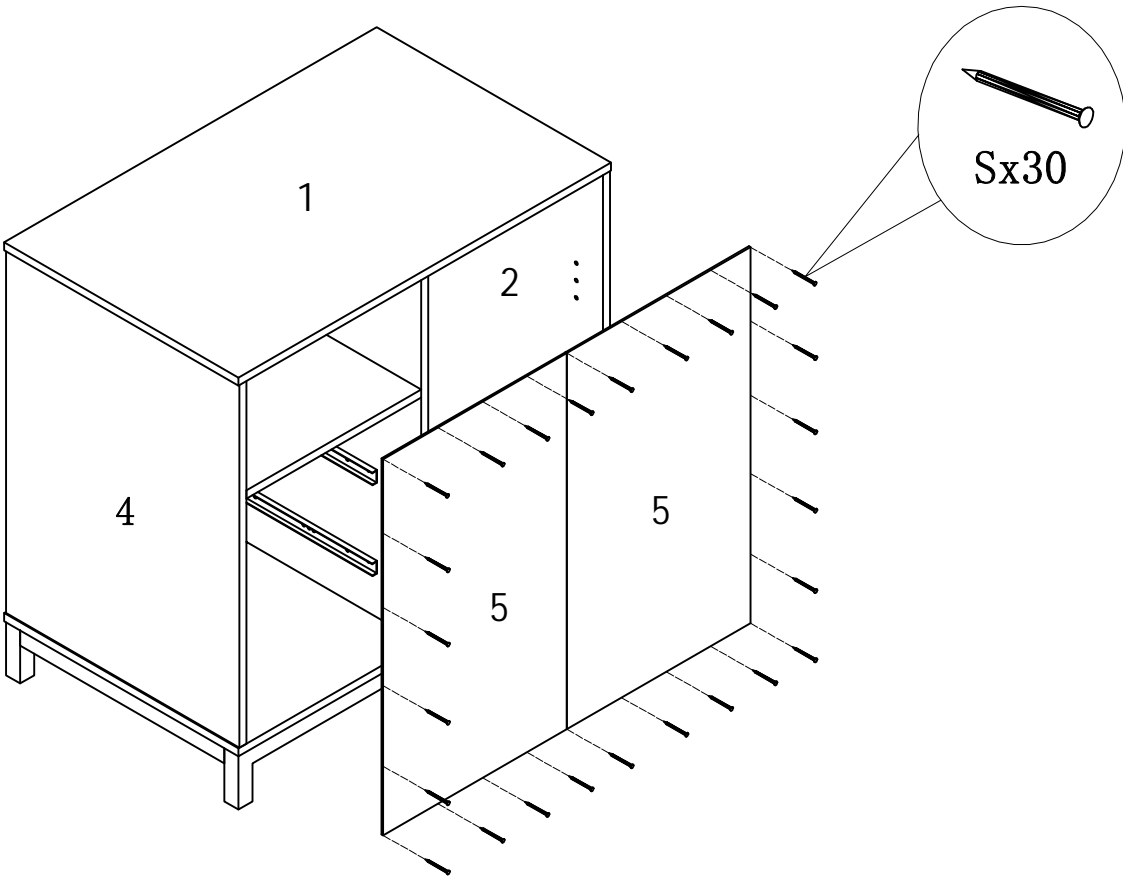
ASSEMBLY INSTRUCTION

ITEM#: 151394



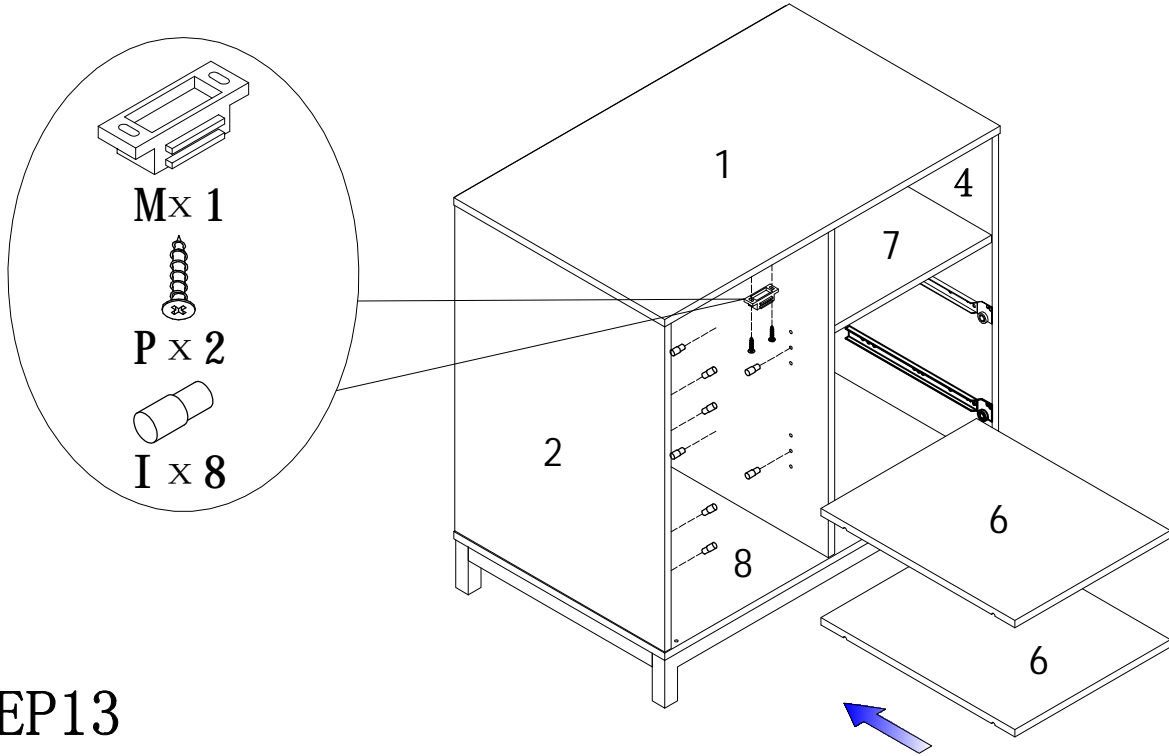
STEP 11

STEP 12



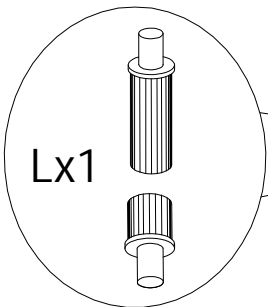
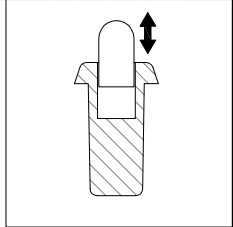
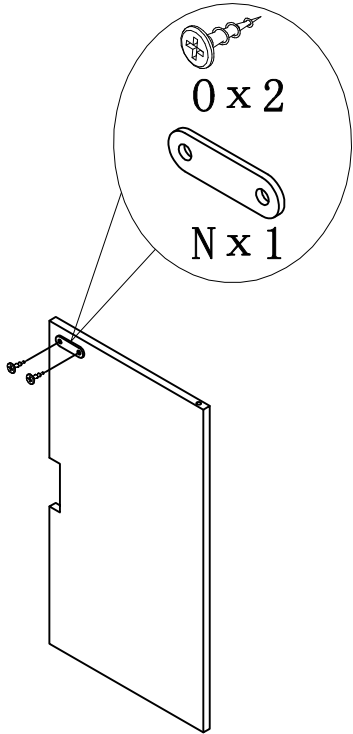
ASSEMBLY INSTRUCTION

ITEM#: 151394



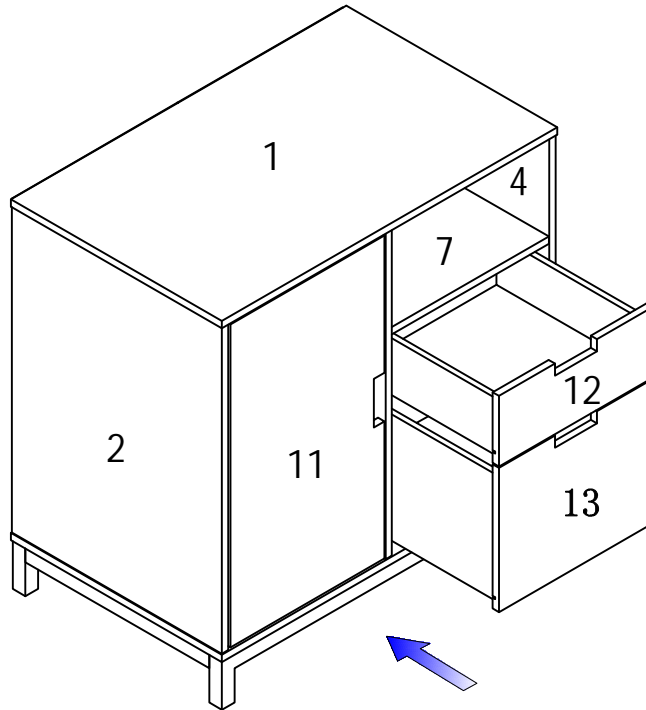
STEP 13

STEP 14



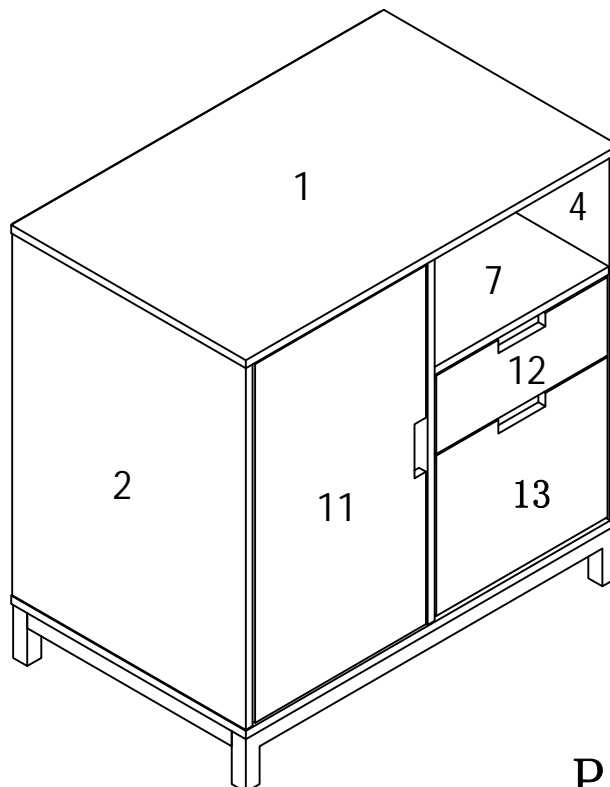
ASSEMBLY INSTRUCTION

ITEM#: 151394



STEP 15

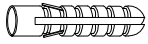
STEP 16



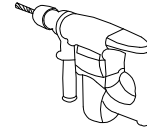
ANTI-TIPPING STRAP INSTRUCTION

HARDWARE (INCLUDED) :

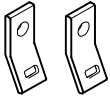
TOOLS NEEDED (NOT INCLUDED) :



DRYWALL ANCHOR $\phi 8 \times 40$ X 1PC



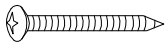
DRILL & DRILL BIT



METAL BRACKETS $12 \times 12 \times 1$ X 2PCS



LIGHT HAMMER



DRYWALL SCREW $\phi 5 \times 40$ X 1PC



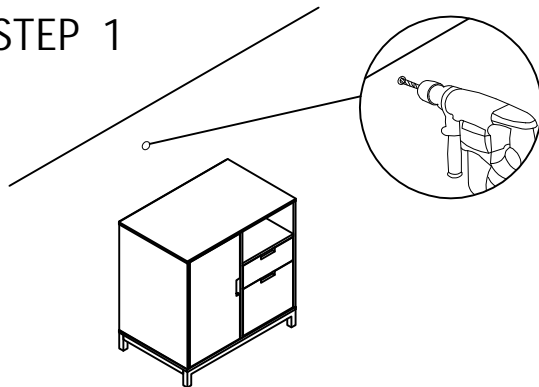
STRAP $197 \times 5 \times 1$ X 1PC



FLATHEAD SCREW $\phi 4 \times 25$ X 1PC

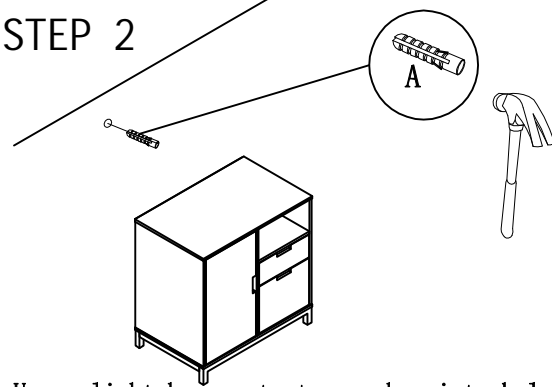
Note: Hardware included only compatible with standard drywalls.

STEP 1



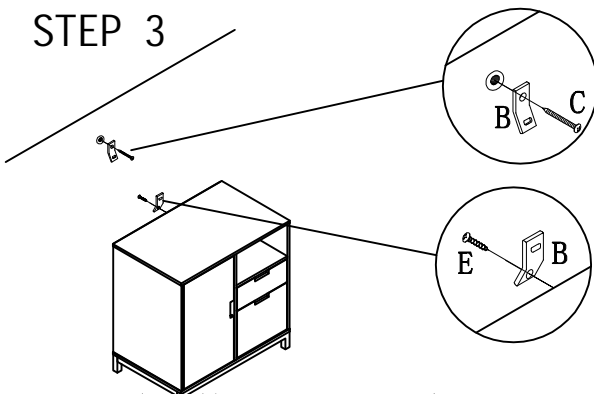
1. Find spot on wall 1" below top of item.
2. Using a drill bit slightly thinner than anchor, drill hole into drywall.

STEP 2



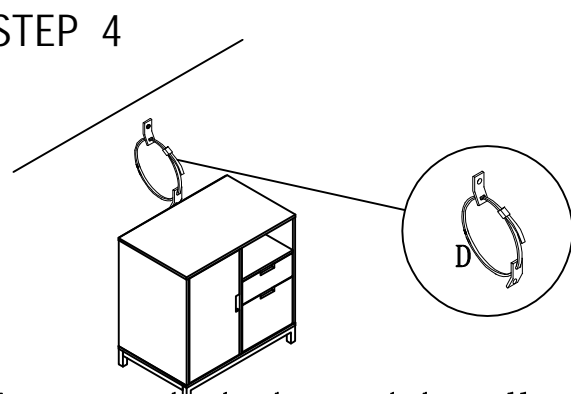
1. Use a light hammer to tap anchor into hole.
2. Anchor should fit snugly. If hole is too small, drill again to increase hole size. Do not force anchor into wall.

STEP 3



1. Insert drywall screw into metal bracket and into drywall anchor.
2. Insert flathead screw into second metal bracket and into back of item along top edge.

STEP 4



1. Insert strap thru bracket attached to wall, then thru bracket on item, and into head of strap.
 2. pull lightly til strap stops.
- Assembly is complete.