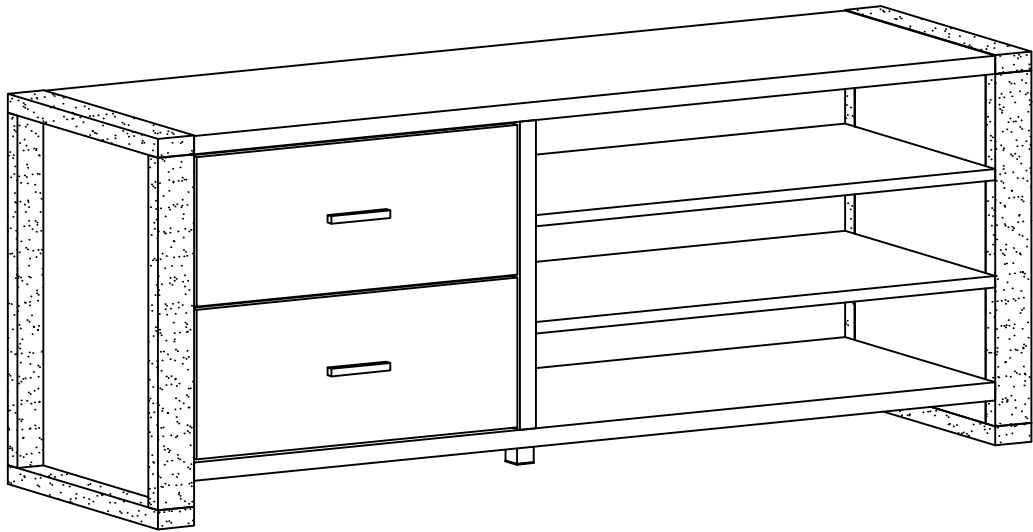


# ASSEMBLY INSTRUCTION

---

ITEM#: 161482



# ASSEMBLY INSTRUCTION

---

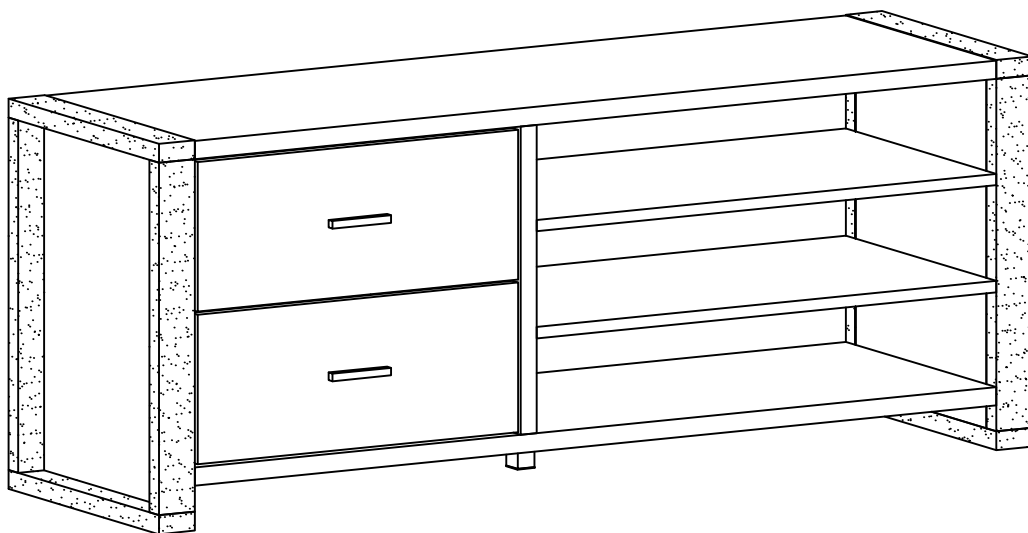
## PLEASE READ BEFORE ASSEMBLING!

Tip #1: Make sure you've taken all the pieces and hardware out of its packaging before discarding the box.

Tip #2: Using page 2 and/or page 3 of instruction manual make sure all pieces and hardware are accounted for.

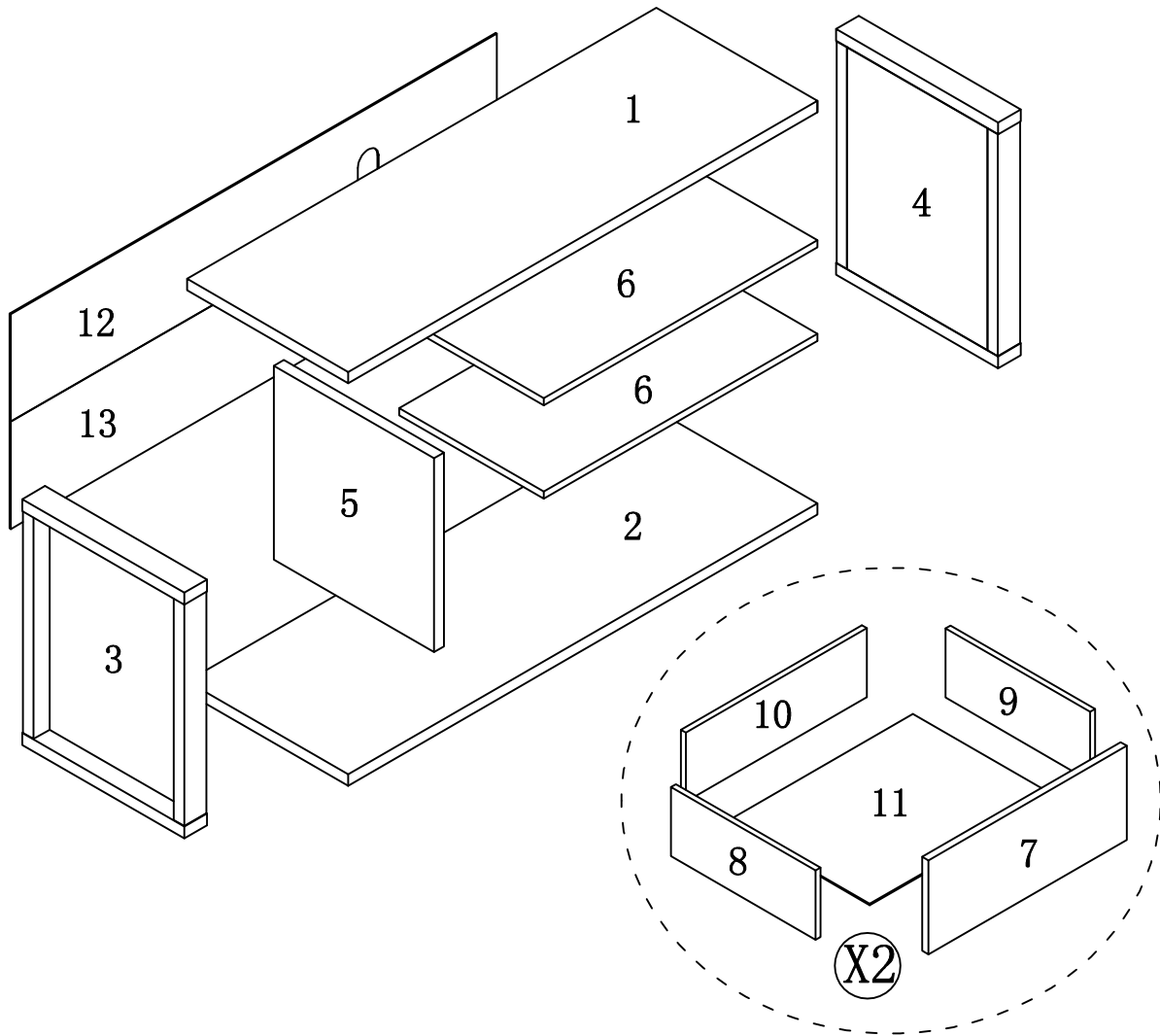
Tip #3: Read manual before assembling, it helps!

ITEM#: 161482



# PARTS IDENTIFICATION

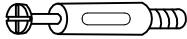








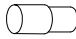

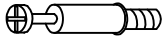

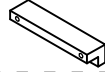


ITEM#: 161482



(1)	1pc	(6)	2pcs	(11)	2pcs
(2)	1pc	(7)	2pcs	(12)	1pc
(3)	1pc	(8)	2pcs	(13)	1pc
(4)	1pc	(9)	2pcs		
(5)	1pc	(10)	2pcs		

# HARDWARE IDENTIFICATION

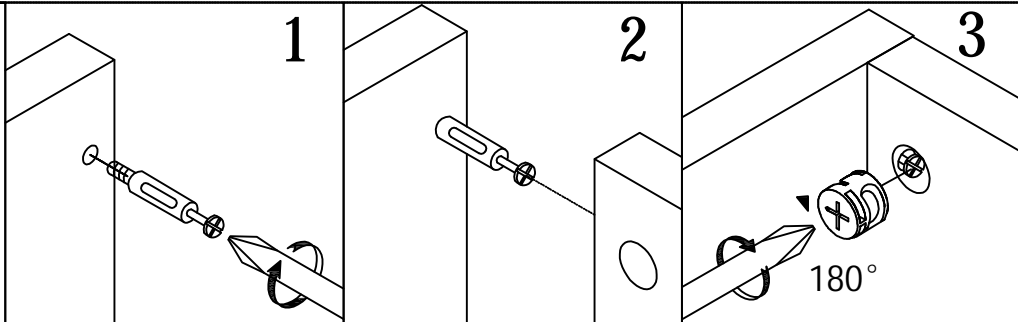
ITEM#: 161482

A		L29	10pcs
B		Ø15	10pcs
C		Ø8x25	6pcs
D		M7x48	2pcs
E		Ø8xØ16x2	2pcs
F		80x25x62H	1pc
G		Ø4x16	2pcs
H		Ø16	4pcs
I			32pcs
J		Ø5x15	8pcs
K		Ø4x30	8pcs
L		L20	8pcs
M		Ø12	8pcs
N		96#	2pcs
O		M4x22	4pcs
P		Glue: For securing please apply to wood dowel first before inserting into panel	1pc

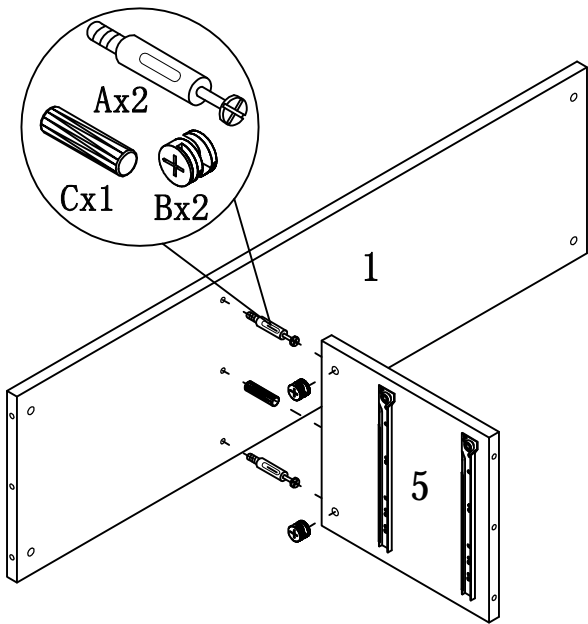
# ASSEMBLY INSTRUCTION

ITEM#: 161482

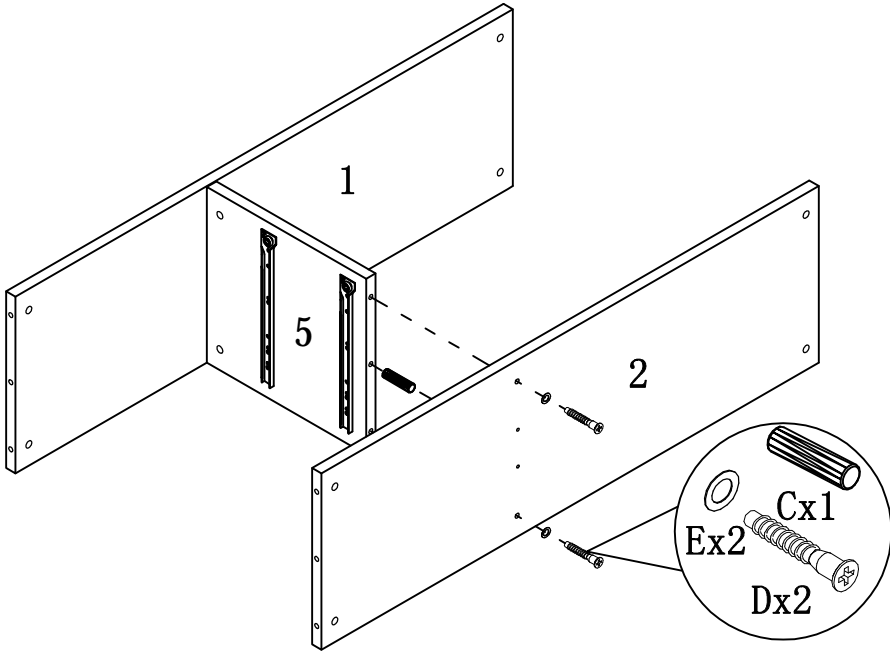
HOW TO



STEP 1

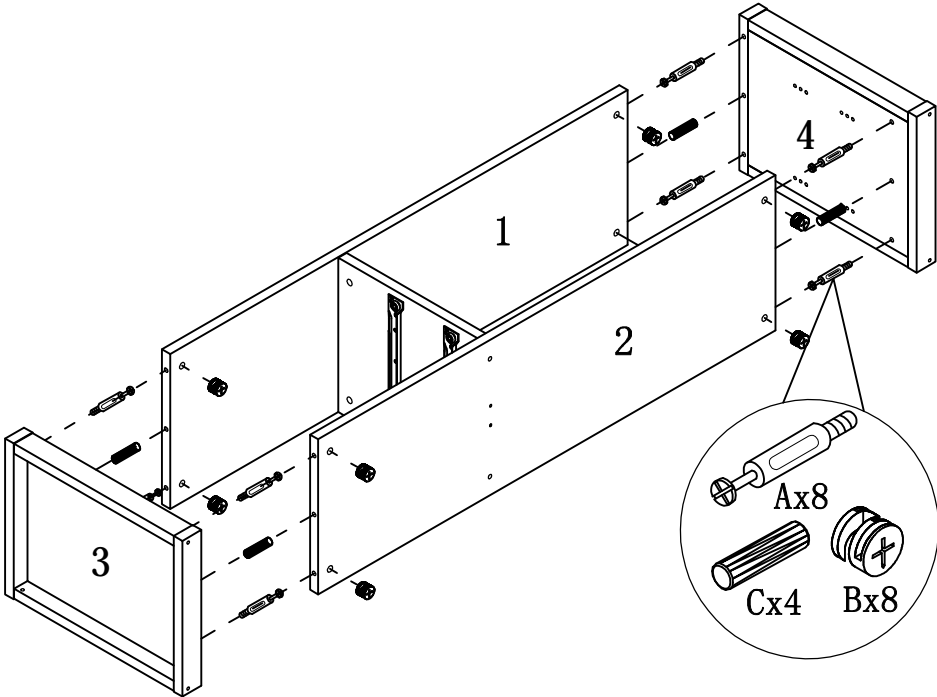


STEP 2



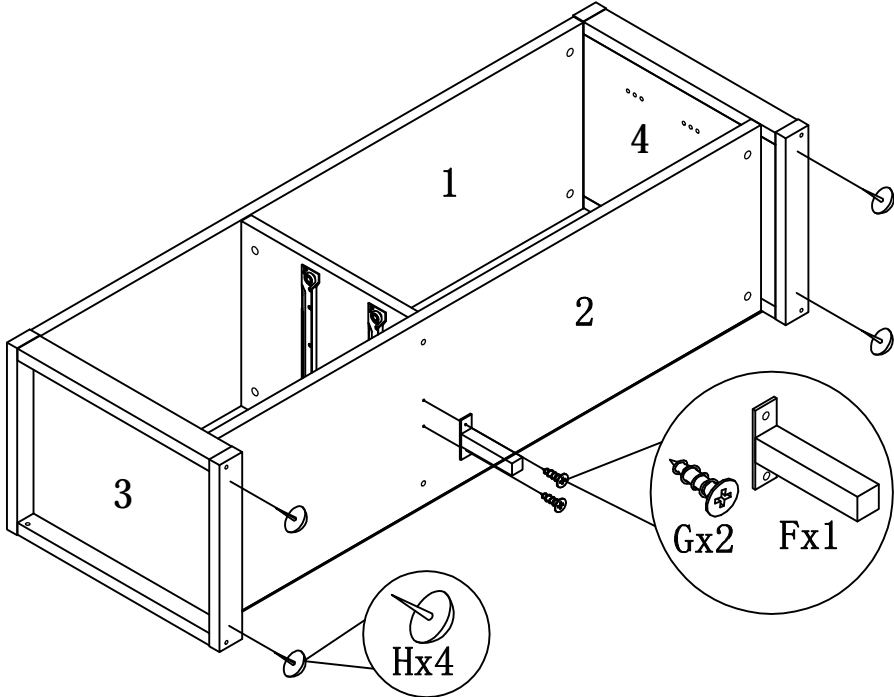
# ASSEMBLY INSTRUCTION

ITEM#: 161482



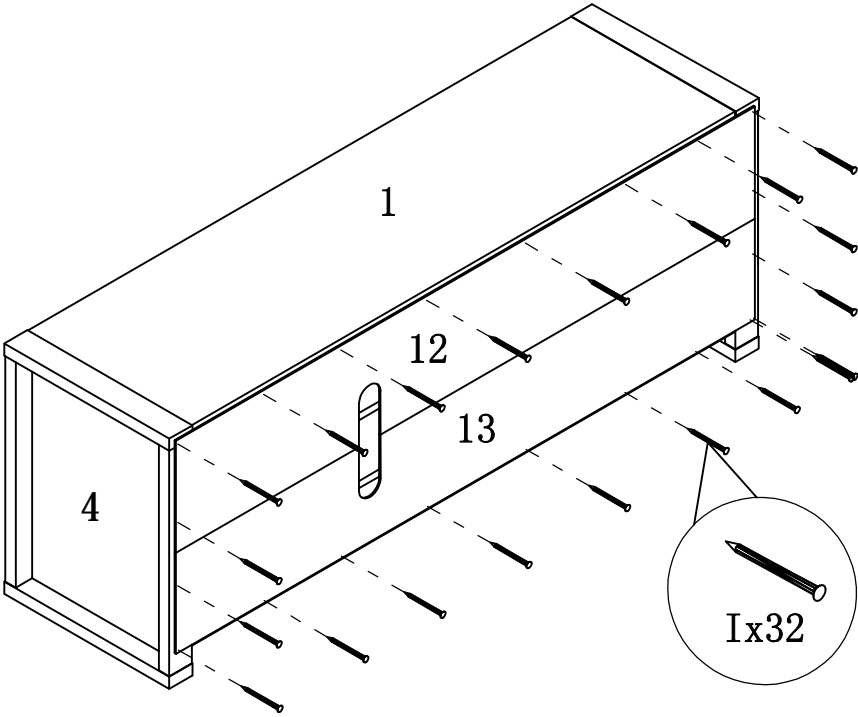
STEP3

STEP4



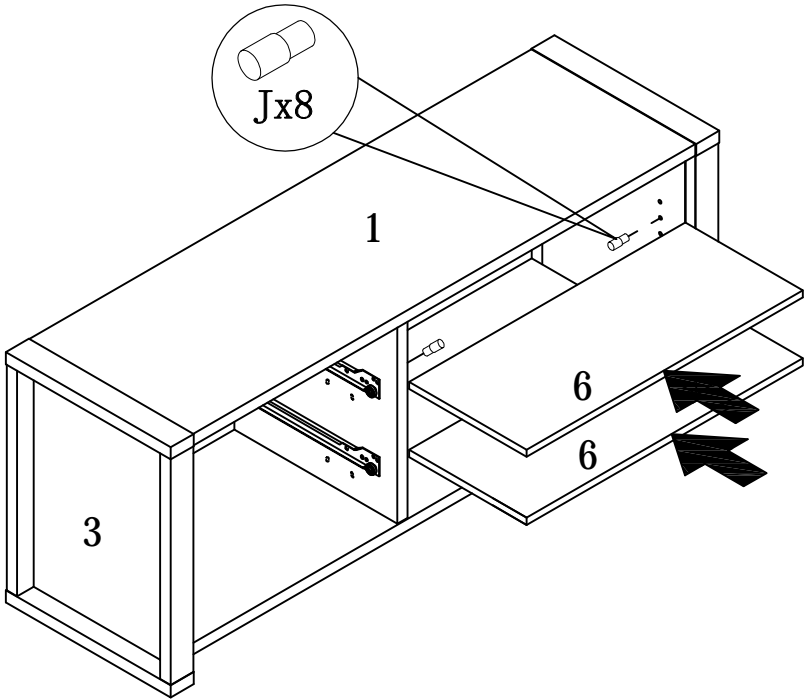
# ASSEMBLY INSTRUCTION

ITEM#: 161482



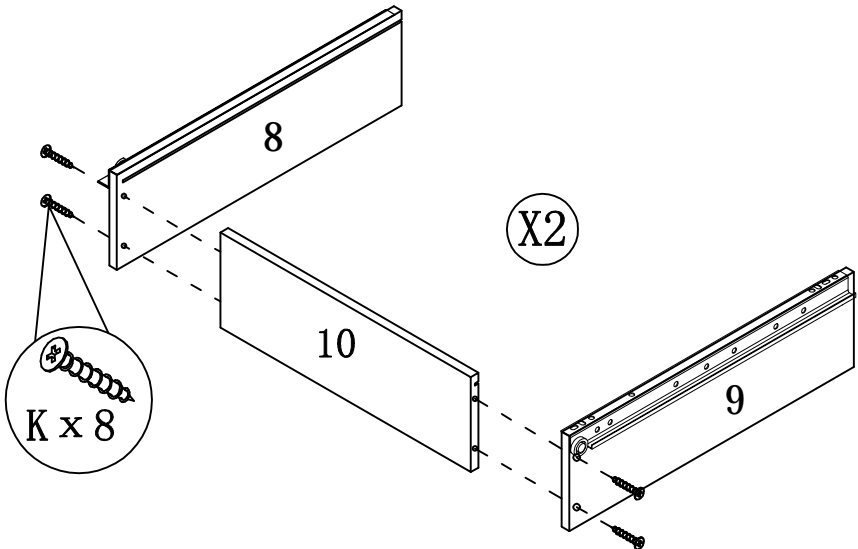
STEP5

STEP6



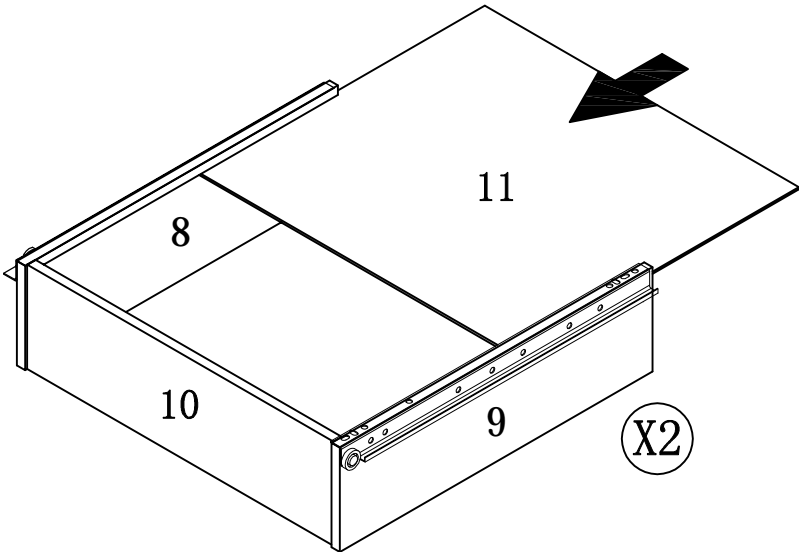
# ASSEMBLY INSTRUCTION

ITEM#: 161482



STEP 7

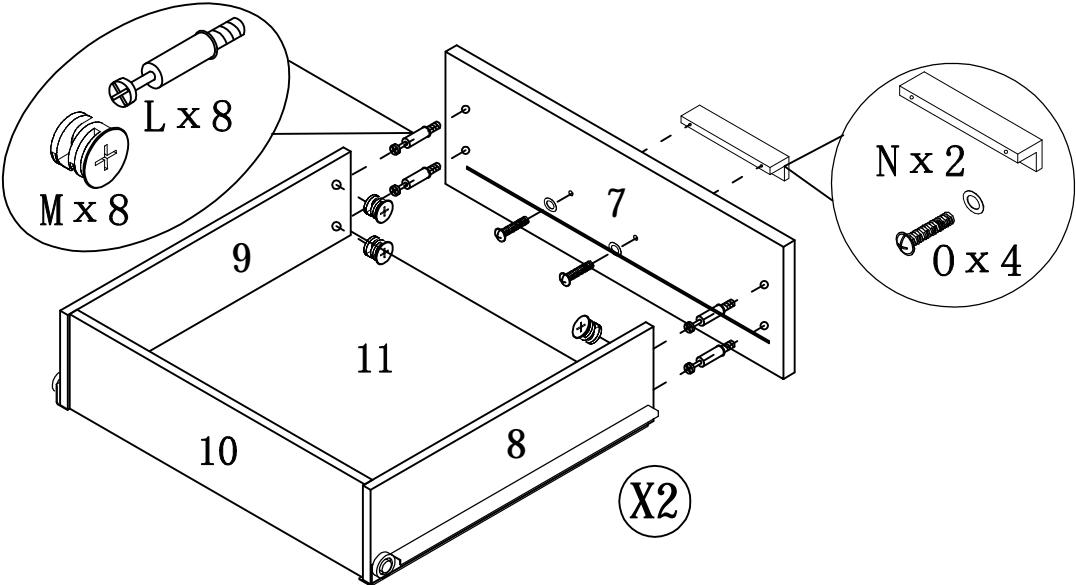
STEP 8





# ASSEMBLY INSTRUCTION

ITEM#: 161482



STEP9

STEP10

