

ASSEMBLY INSTRUCTION

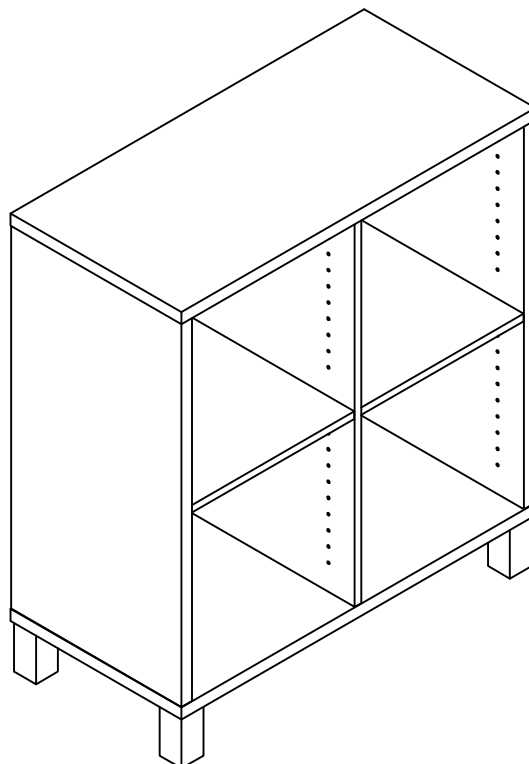
PLEASE READ BEFORE ASSEMBLING!

Tip #1: Make sure you've taken all the pieces and hardware out of its packaging before discarding the box.

Tip #2: Using page 2 and/or page 3 of instruction manual make sure all pieces and hardware are accounted for.

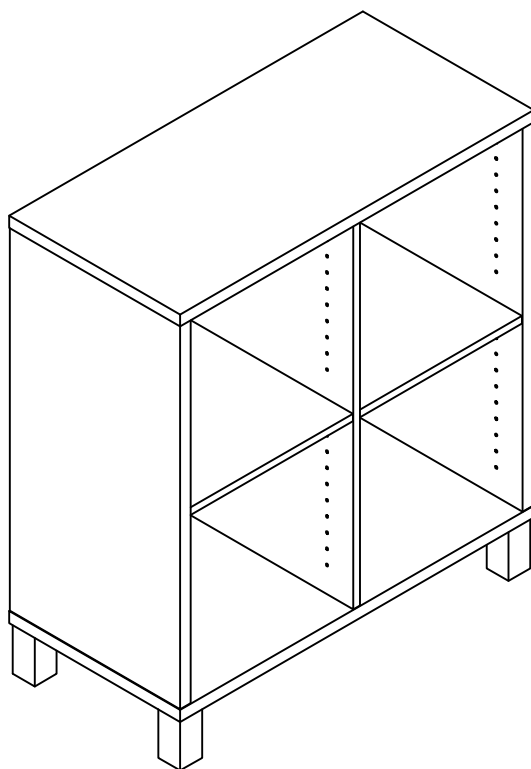
Tip #3: Read manual before assembling, it helps!

ITEM#: 161594



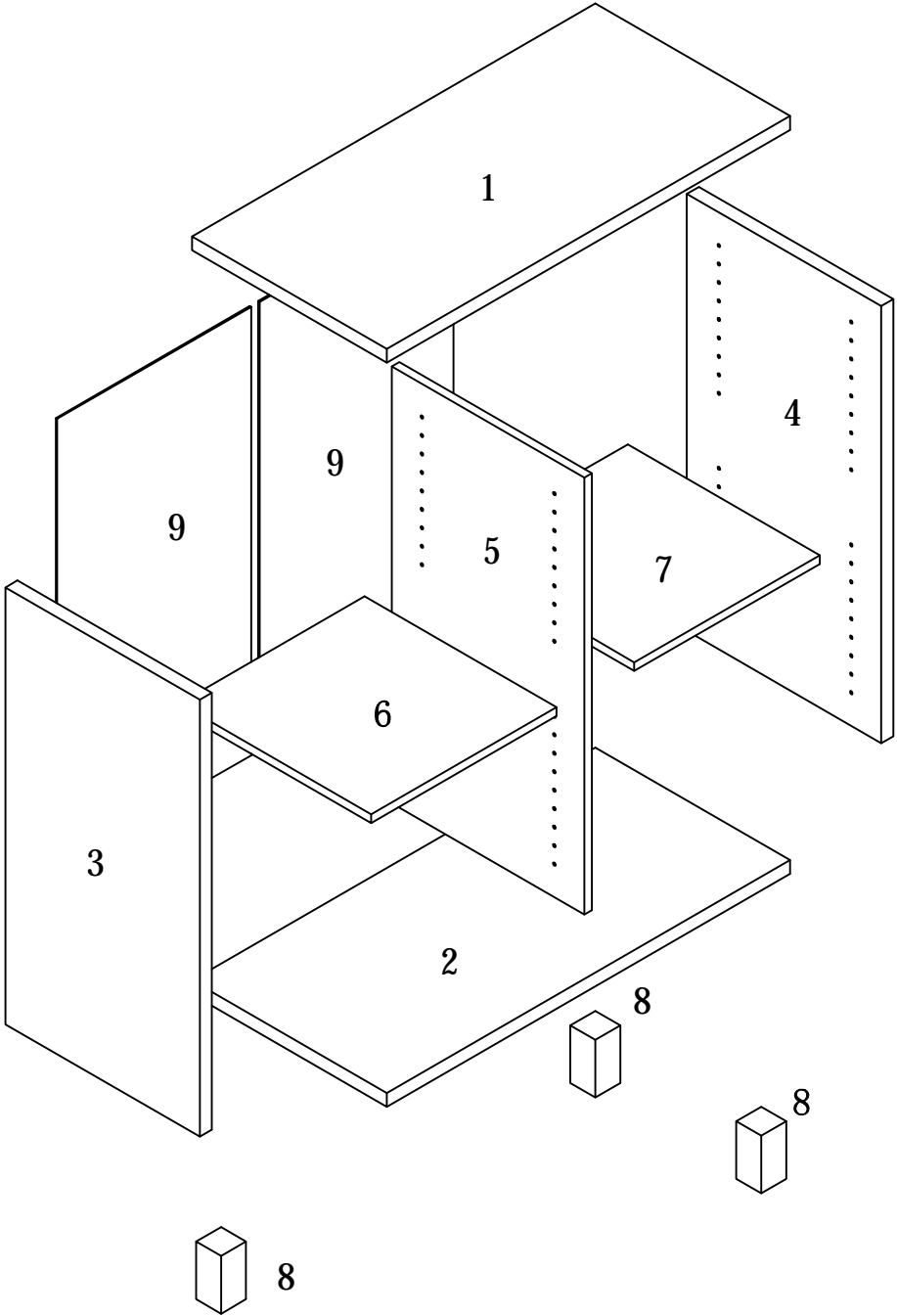
ASSEMBLY INSTRUCTION

ITEM#: 161594



PARTS IDENTIFICATION

ITEM#: 161594



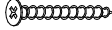



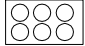





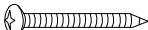
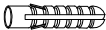
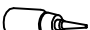


(1)	1pc	(6)	1pc
(2)	1pc	(7)	1pc
(3)	1pc	(8)	2pcs
(4)	1pc	(9)	2pcs
(5)	1pc		



HARDWARE IDENTIFICATION

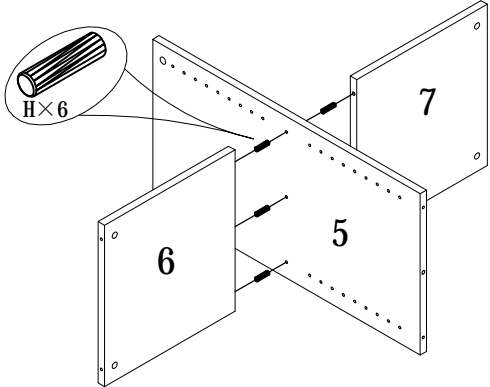
ITEM#: 161594

A		L29	10pcs
B		$\phi 15$	10pcs
C		$\phi 4 \times 40$	6pcs
D			30pcs
E		$\phi 8 \times 35$	4pcs
F		M5	1pc
G		$\phi 20$	6pcs
H		$\phi 8 \times 25$	18pcs
I		$\phi 16$	4pcs
J		197 \times 5 \times 1	1pc
K		$\phi 4 \times 25$	1pc
L		12 \times 12 \times 1	2pcs
M		$\phi 5 \times 40$	1pc
N		$\phi 8 \times 40$	1pc
O		Glue: For securing please apply to wood dowel first before inserting into panel	1pc

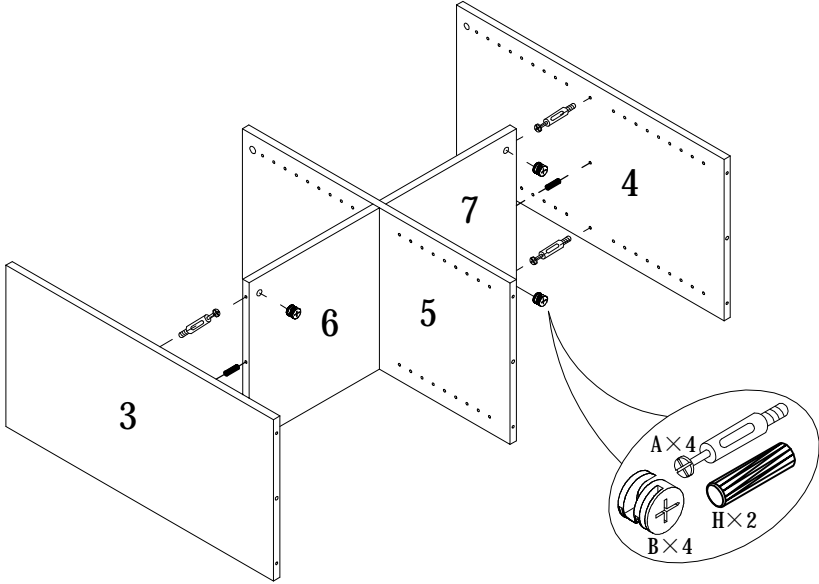
ASSEMBLY INSTRUCTION

ITEM#: 161594

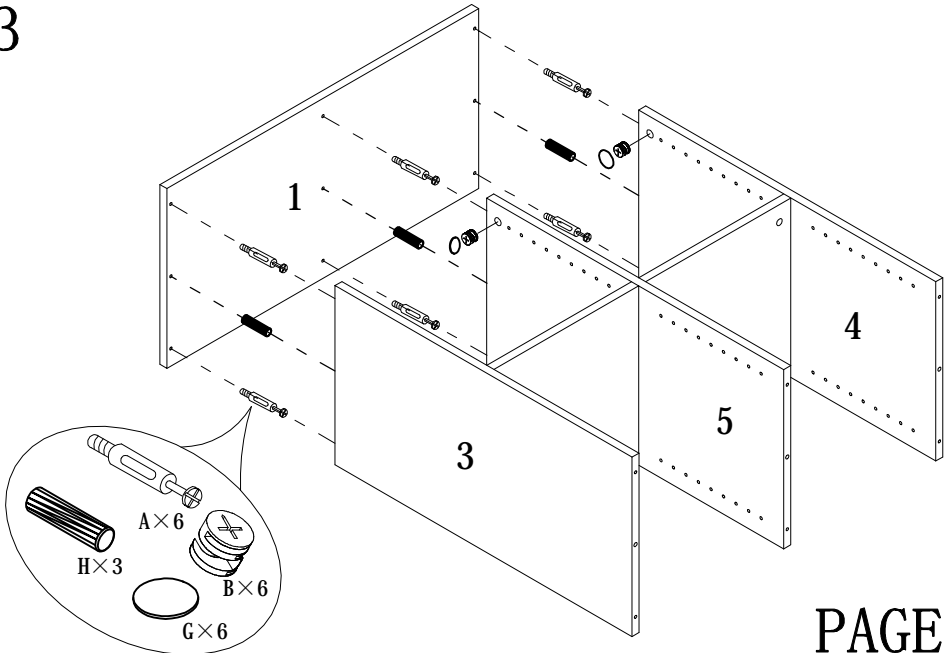
STEP1



STEP2

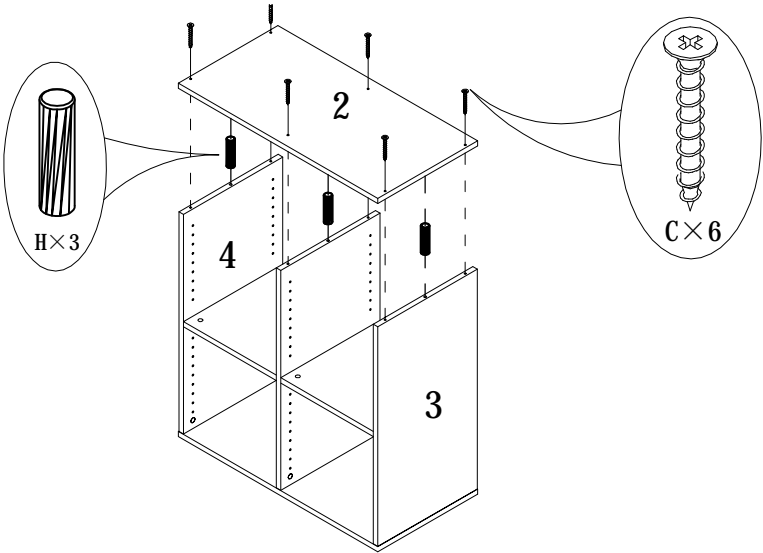


STEP3



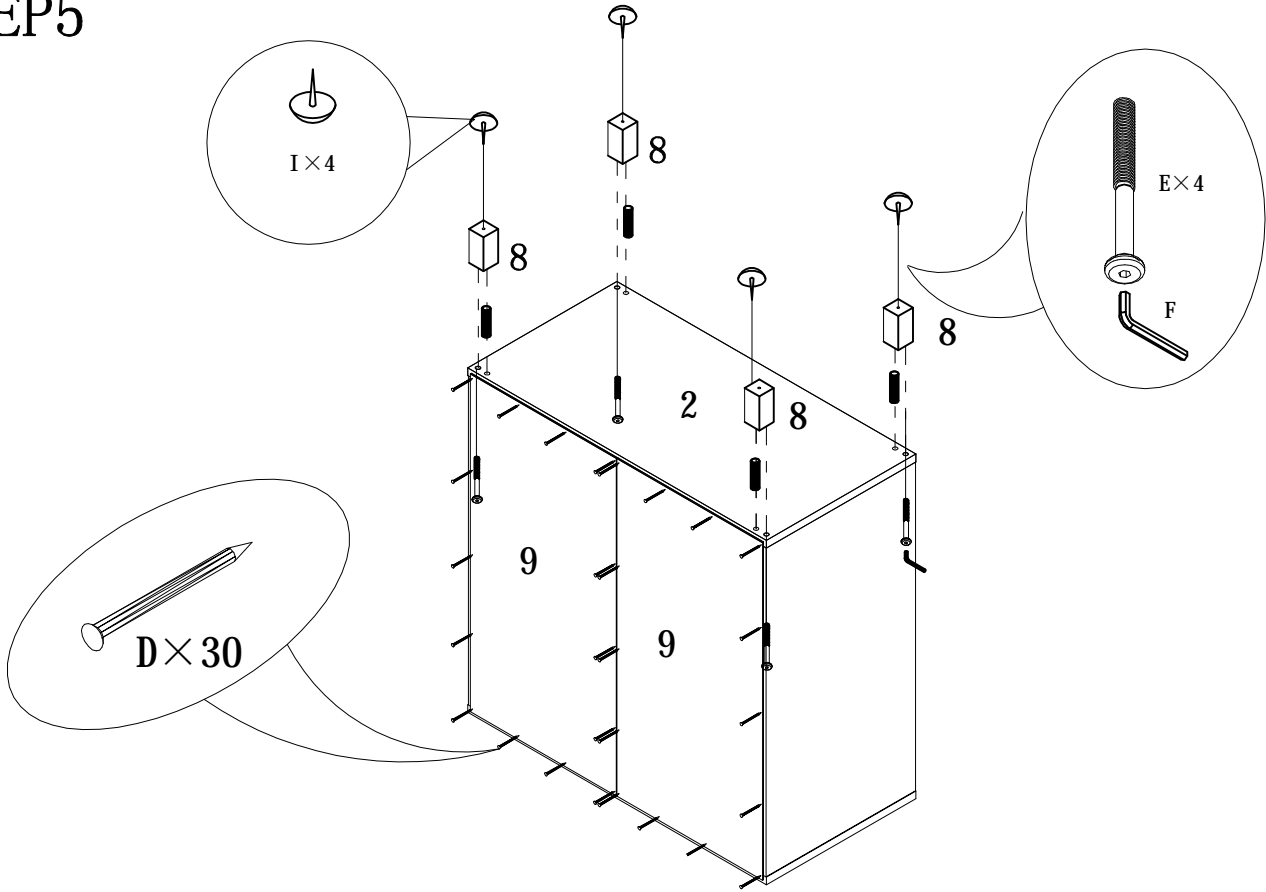
ASSEMBLY INSTRUCTION

ITEM#: 161594



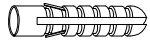
STEP 4

STEP 5

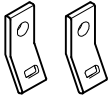


ANTI-TIPPING STRAP INSTRUCTION

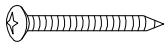
HARDWARE (INCLUDED) :



DRYWALL ANCHOR $\phi 8 \times 40$ X 1PC



METAL BRACKETS $12 \times 12 \times 1$ X 2PCS



DRYWALL SCREW $\phi 5 \times 40$ X 1PC

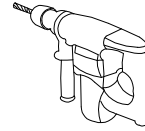


STRAP $197 \times 5 \times 1$ X 1PC

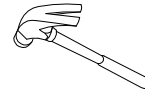


FLATHEAD SCREW $\phi 4 \times 25$ X 1PC

TOOLS NEEDED (NOT INCLUDED) :



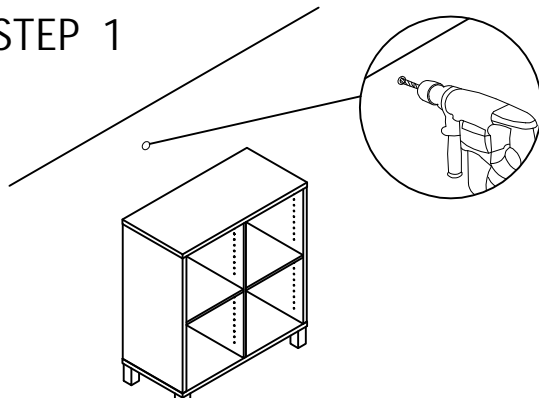
DRILL & DRILL BIT



LIGHT HAMMER

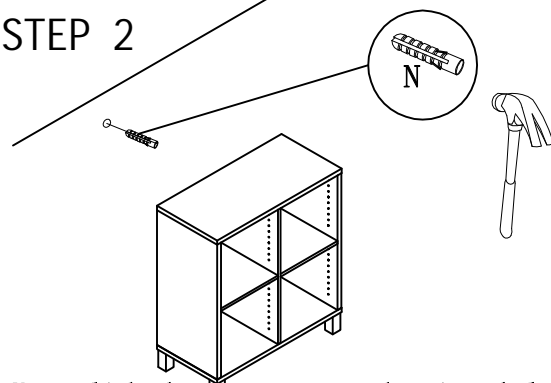
Note: Hardware included only compatible with standard drywalls.

STEP 1



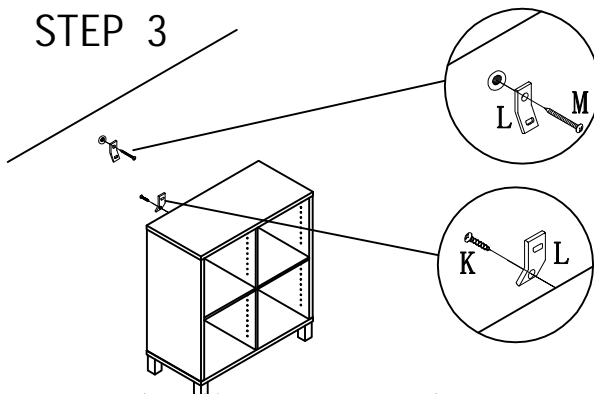
1. Find spot on wall 1" below top of item.
2. Using a drill bit slightly thinner than anchor, drill hole into drywall.

STEP 2



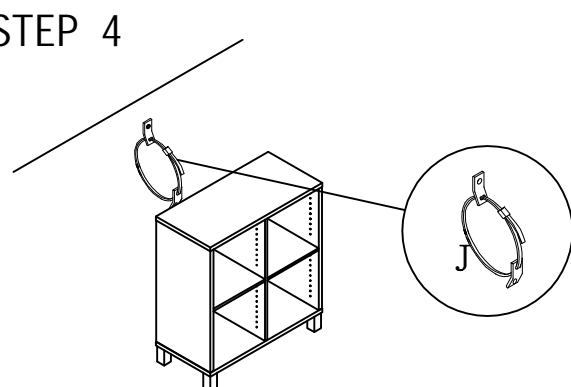
1. Use a light hammer to tap anchor into hole.
2. Anchor should fit snugly. If hole is too small, drill again to increase hole size. Do not force anchor into wall.

STEP 3



1. Insert drywall screw into metal bracket and into drywall anchor.
2. Insert flathead screw into second metal bracket and into back of item along top edge.

STEP 4



1. Insert strap thru bracket attached to wall, then thru bracket on item, and into head of strap.
 2. pull lightly til strap stops.
- Assembly is complete.