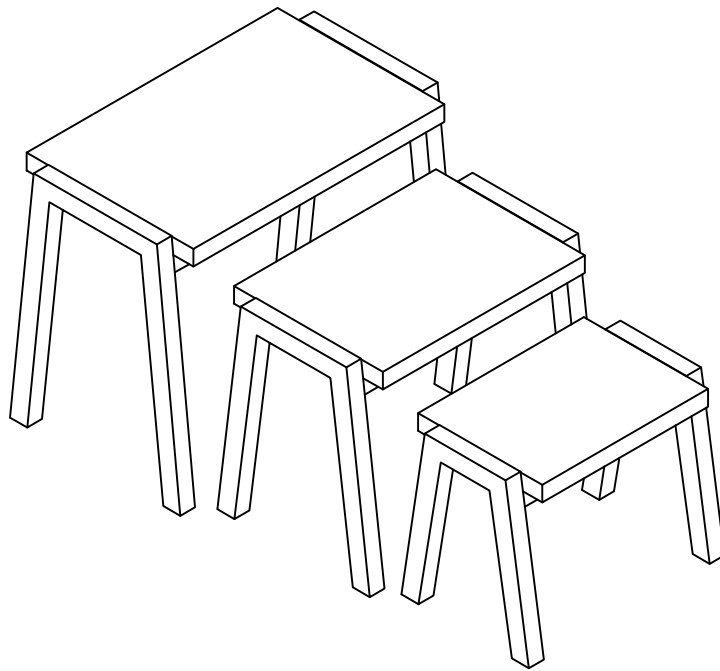


ASSEMBLY INSTRUCTION

ITEM#: 161610-X3



ASSEMBLY INSTRUCTION

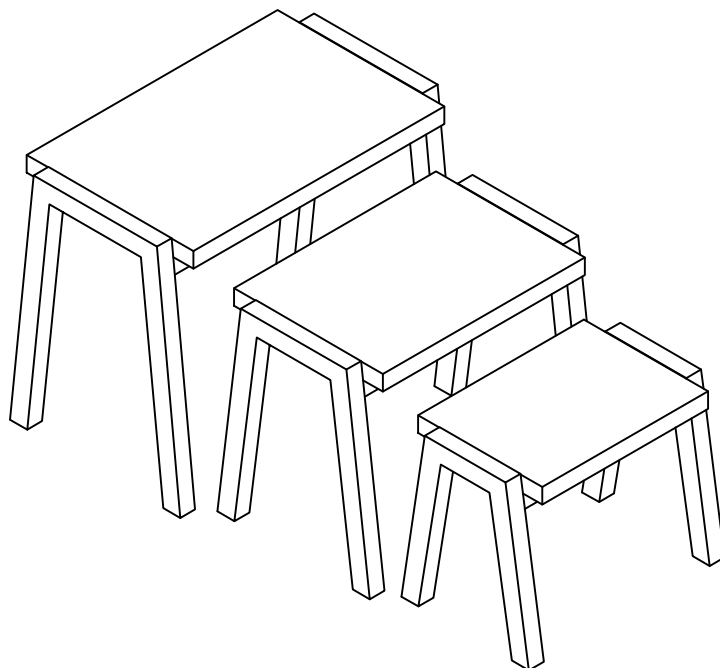
PLEASE READ BEFORE ASSEMBLING!

Tip #1: Make sure you've taken all the pieces and hardware out of its packaging before discarding the box.

Tip #2: Using page 2 and/or page 3 of instruction manual make sure all pieces and hardware are accounted for.

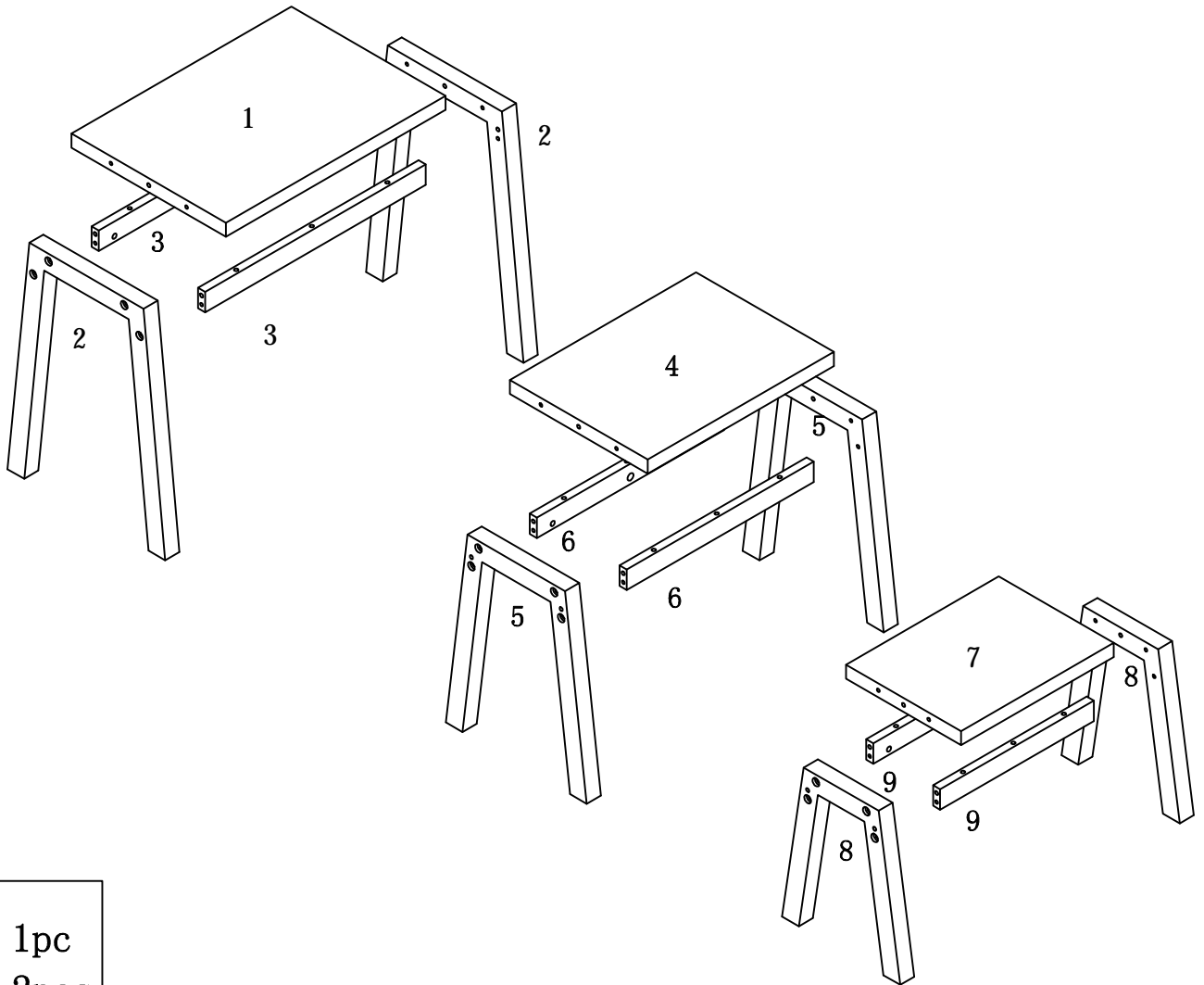
Tip #3: Read manual before assembling, it helps!

ITEM#: 161610-X3



PARTS IDENTIFICATION

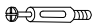





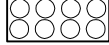

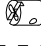

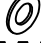
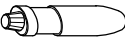
ITEM#: 161610-X3



- | | |
|-----|------|
| (1) | 1pc |
| (2) | 2pcs |
| (3) | 2pcs |
| (4) | 1pc |
| (5) | 2pcs |
| (6) | 2pcs |
| (7) | 1pc |
| (8) | 2pcs |
| (9) | 2pcs |

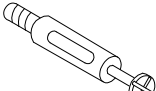
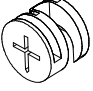
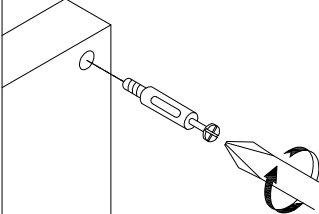
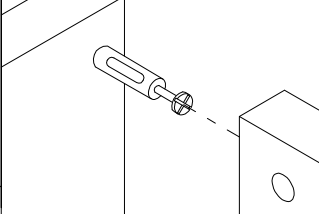
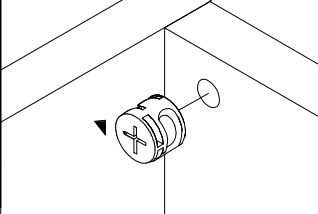
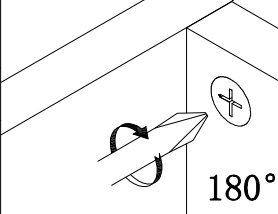
HARDWARE IDENTIFICATION

ITEM#: 161610-X3

A		L29	6pcs
B		Ø15	6pcs
C		Ø8x25	30pcs
D		Ø16	12pcs
E		Ø22 (BK)	24pcs
F		Ø20	6pcs
G		Ø13	24pcs
H		M6x65	24pcs
I		Ø10x13	24pcs
J		M4	1pc
K		Ø8x16x2	24pcs
L		Glue: For securing please apply to wood dowel first before inserting into panel	1pc

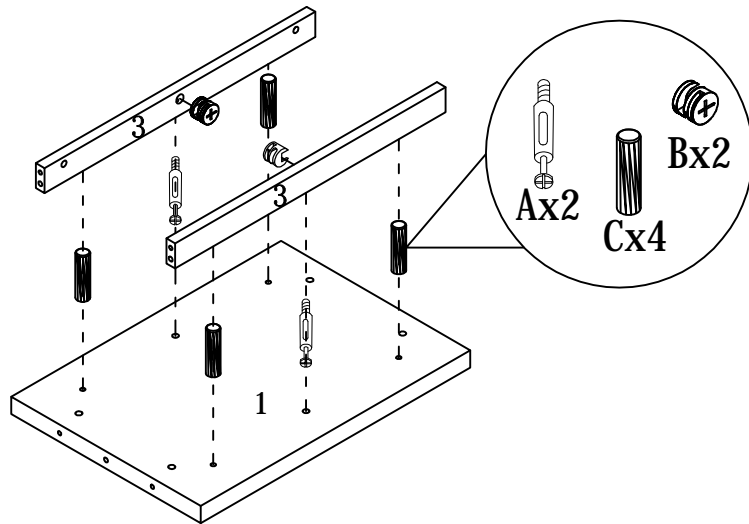
HARDWARE IDENTIFICATION

ITEM#: 161610-X3

<p>HOW TO</p>  <p>Cam Bolt</p>  <p>Cam Lock</p>	1	2	3	4
	 <p>1. Screw Cam Bolt into panel.</p>	 <p>2. Insert Cam Bolt into bolt hole of joining panel.</p>	 <p>3. Insert Cam Lock. arrow facing bolt.</p>	 <p>4. Gently turn Cam Lock clockwise to lock position.</p> <p>180°</p>

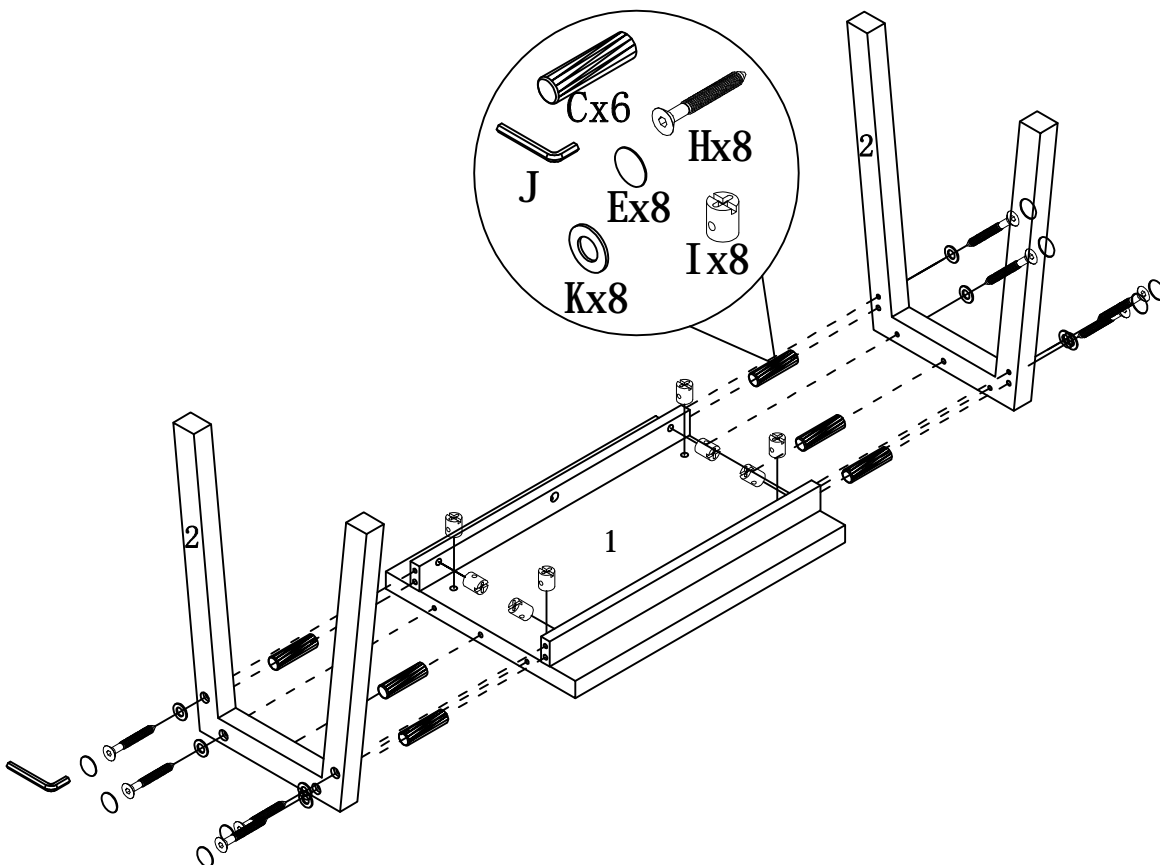
HARDWARE IDENTIFICATION

ITEM#: 161610-X3



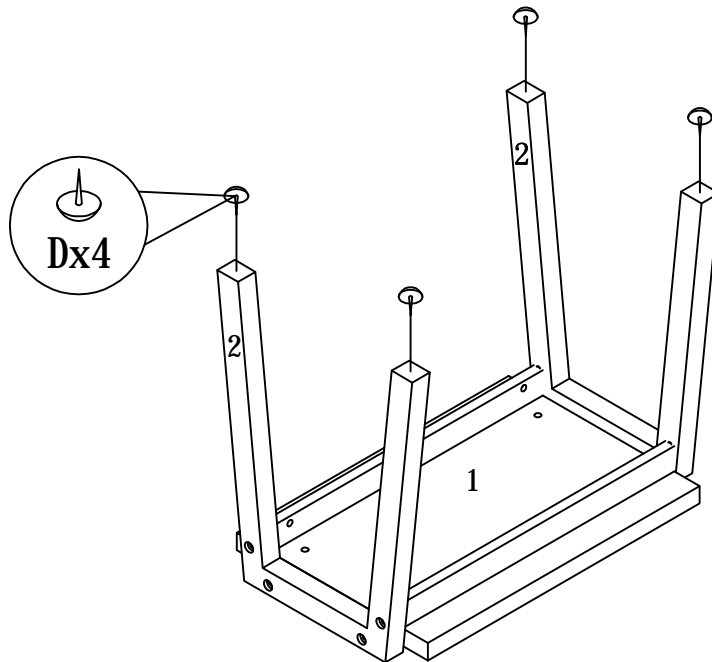
STEP1

STEP2



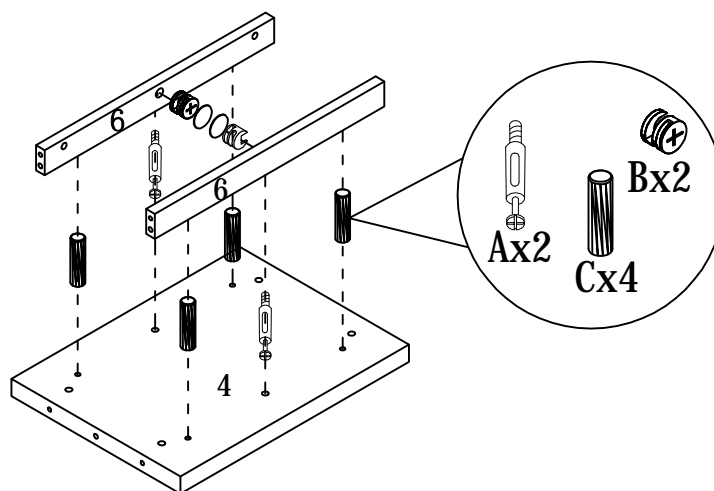
HARDWARE IDENTIFICATION

ITEM#: 161610-X3



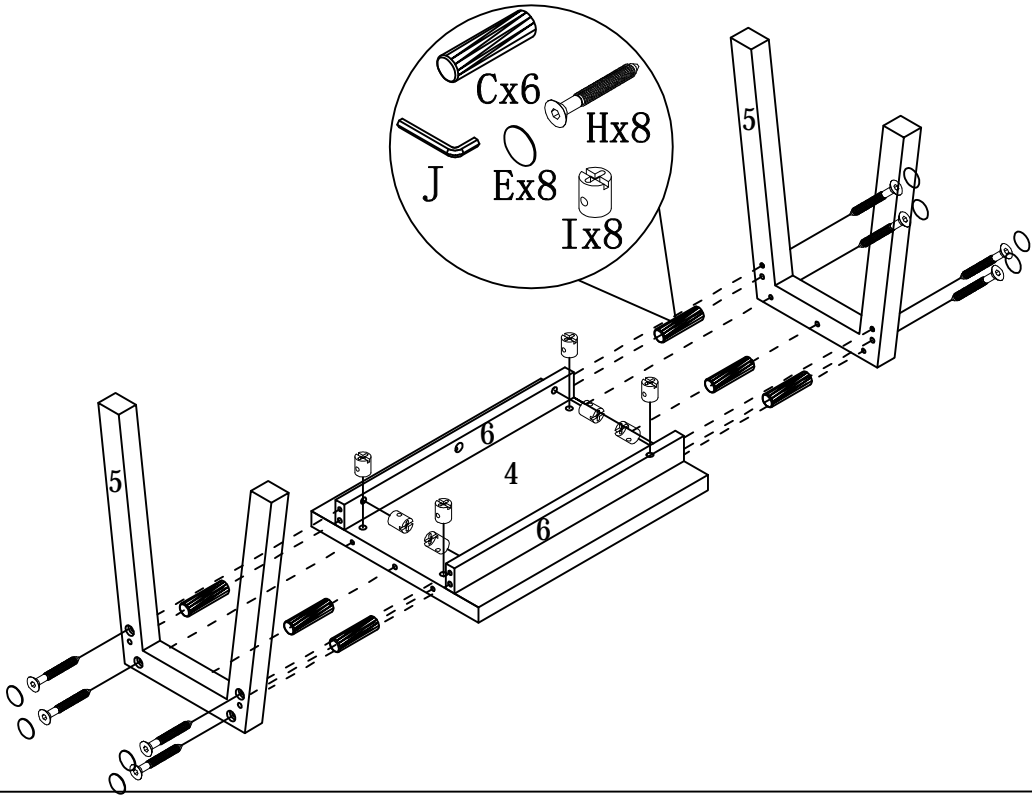
STEP3

STEP4



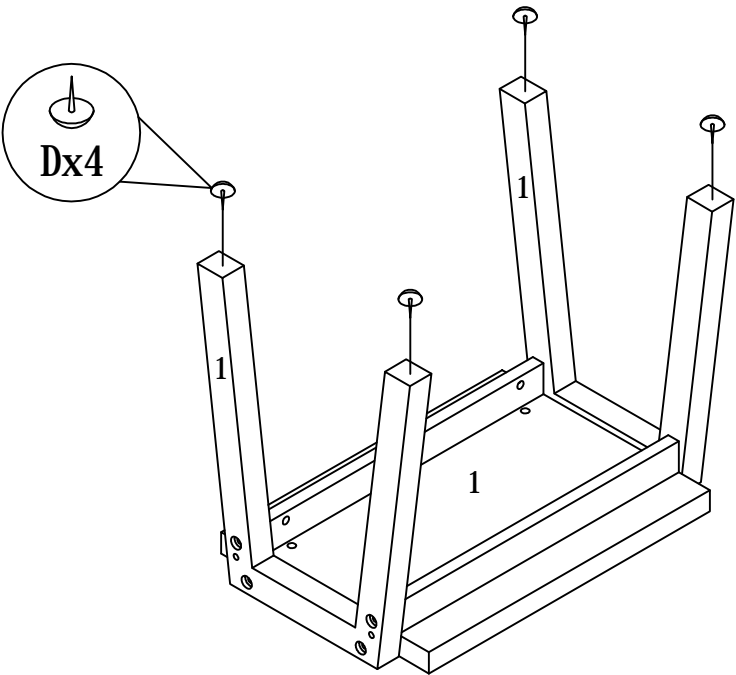
HARDWARE IDENTIFICATION

ITEM#: 161610-X3



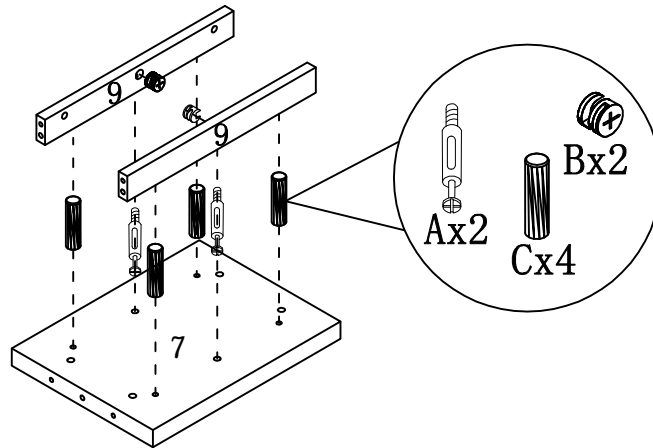
STEP5

STEP6



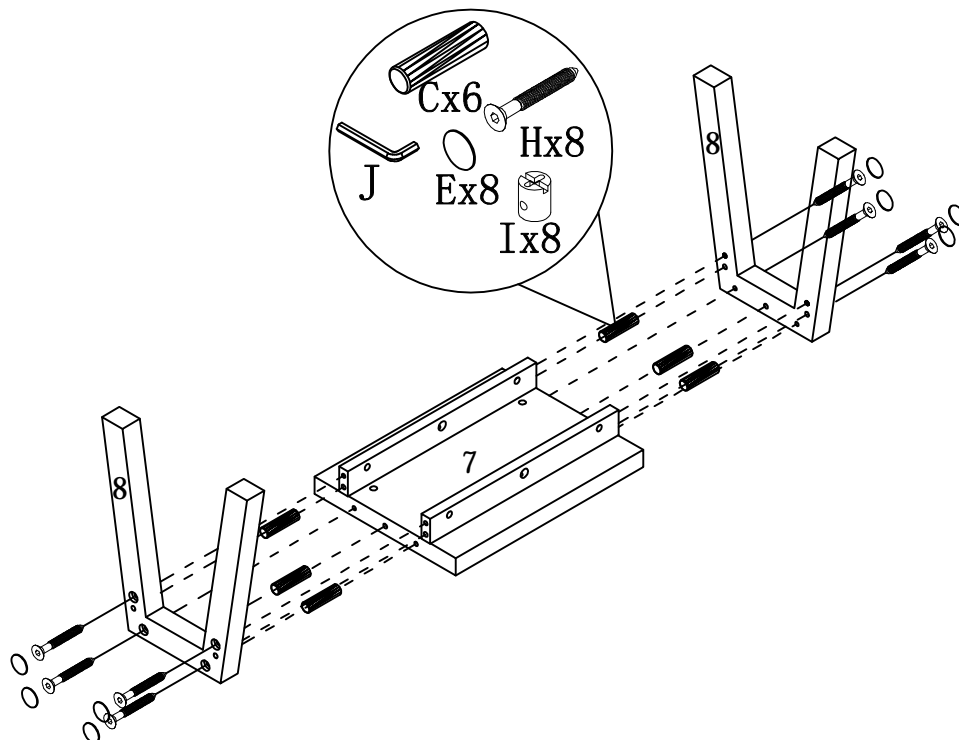
HARDWARE IDENTIFICATION

ITEM#: 161610-X3



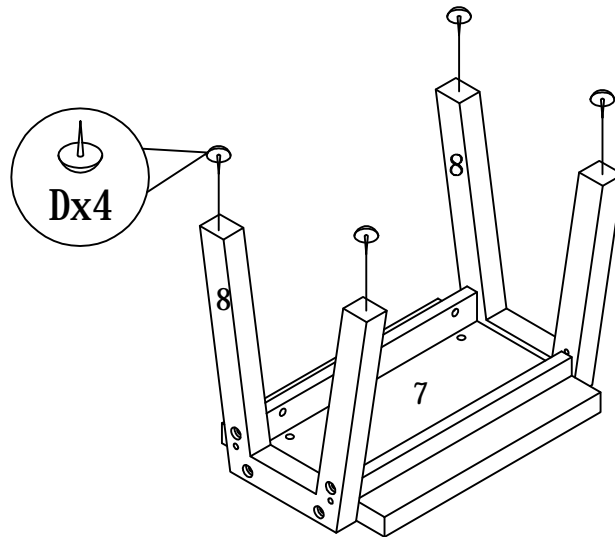
STEP7

STEP8



HARDWARE IDENTIFICATION

ITEM#: 161610-X3



STEP9

STEP10

