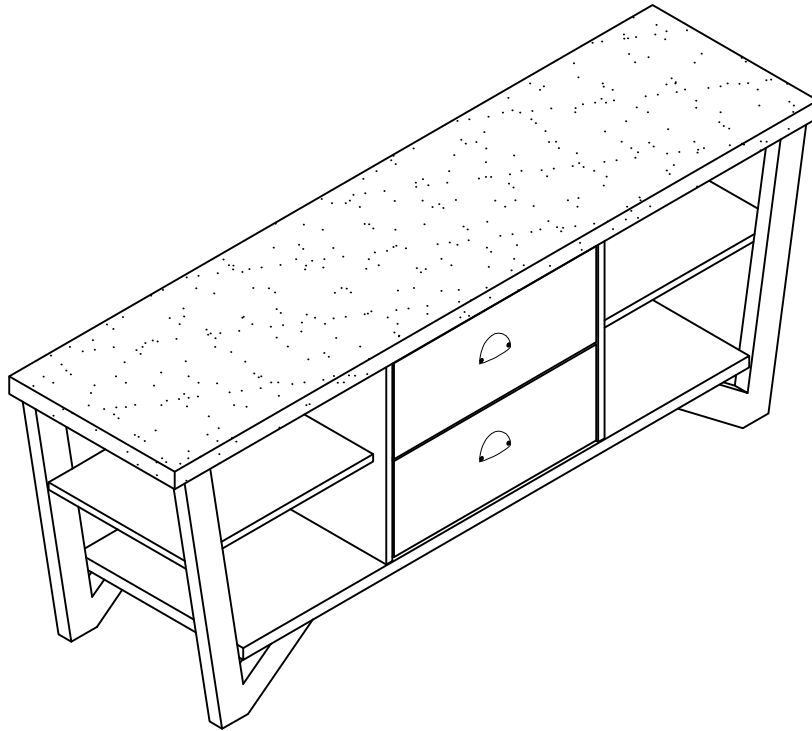


# ASSEMBLY INSTRUCTION

---

ITEM#: 161626



# ASSEMBLY INSTRUCTION

---

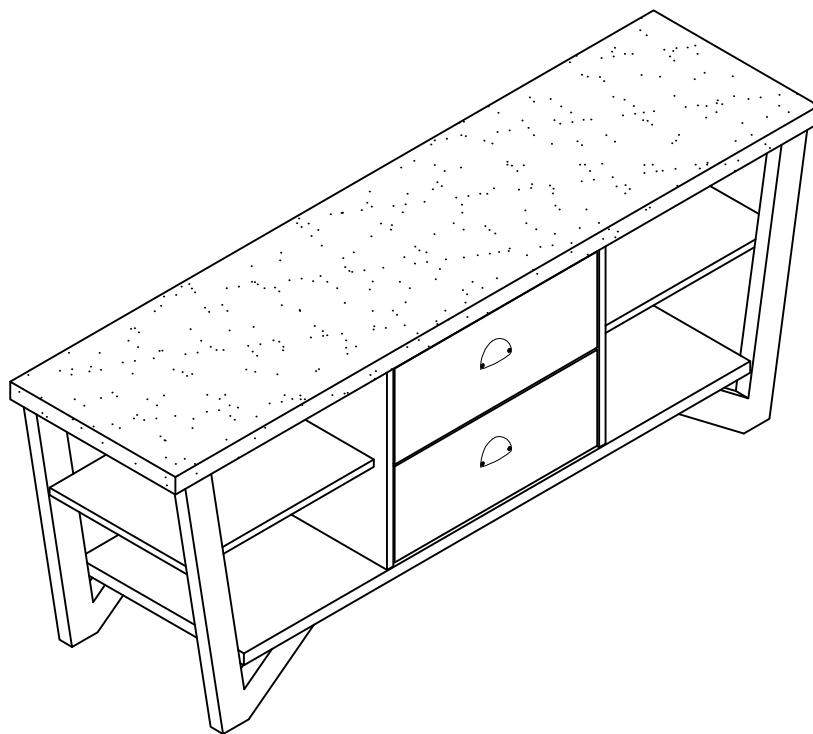
## PLEASE READ BEFORE ASSEMBLING!

Tip #1: Make sure you've taken all the pieces and hardware out of its packaging before discarding the box.

Tip #2: Using page 2 and/or page 3 of instruction manual make sure all pieces and hardware are accounted for.

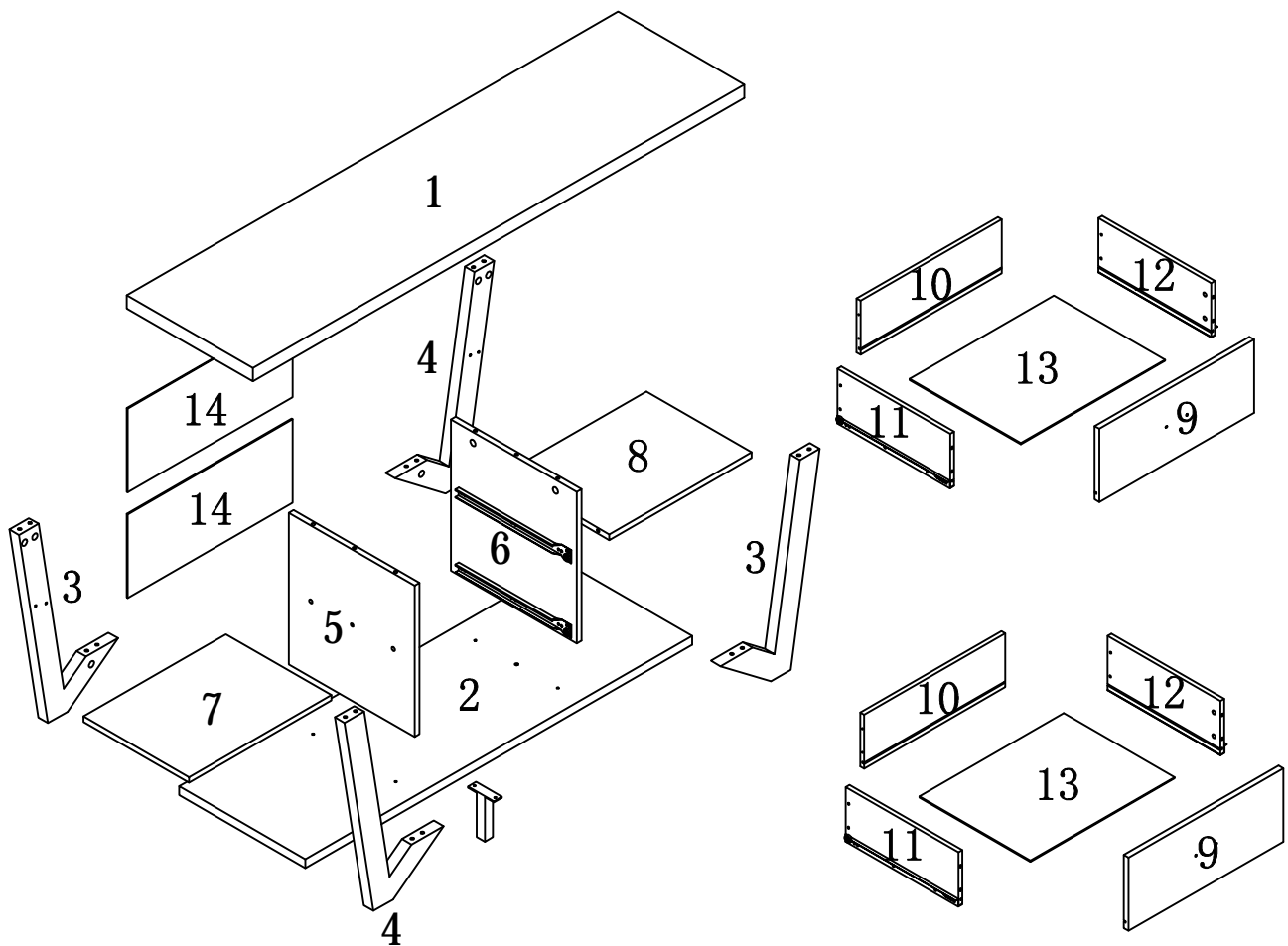
Tip #3: Read manual before assembling, it helps!

ITEM#: 161626



# PARTS IDENTIFICATION





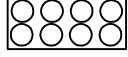



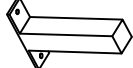


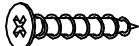
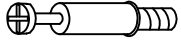




ITEM#: 161626



(1)	1pc	(8)	1pc
(2)	1pc	(9)	2pcs
(3)	2pcs	(10)	2pcs
(4)	2pcs	(11)	2pcs
(5)	1pc	(12)	2pcs
(6)	1pc	(13)	2pcs
(7)	1pc	(14)	2pcs

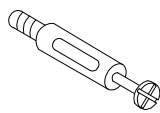

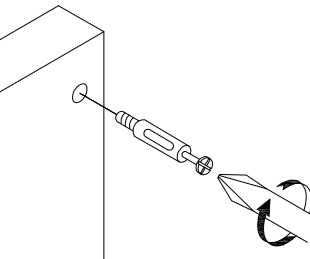
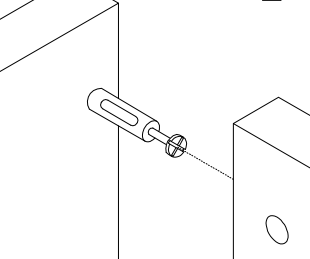
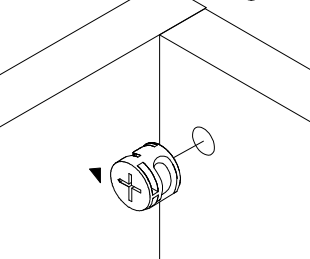
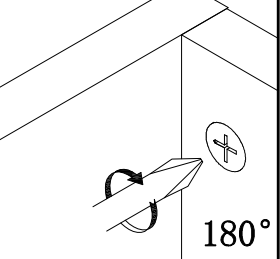
# HARDWARE IDENTIFICATION

ITEM#: 161626

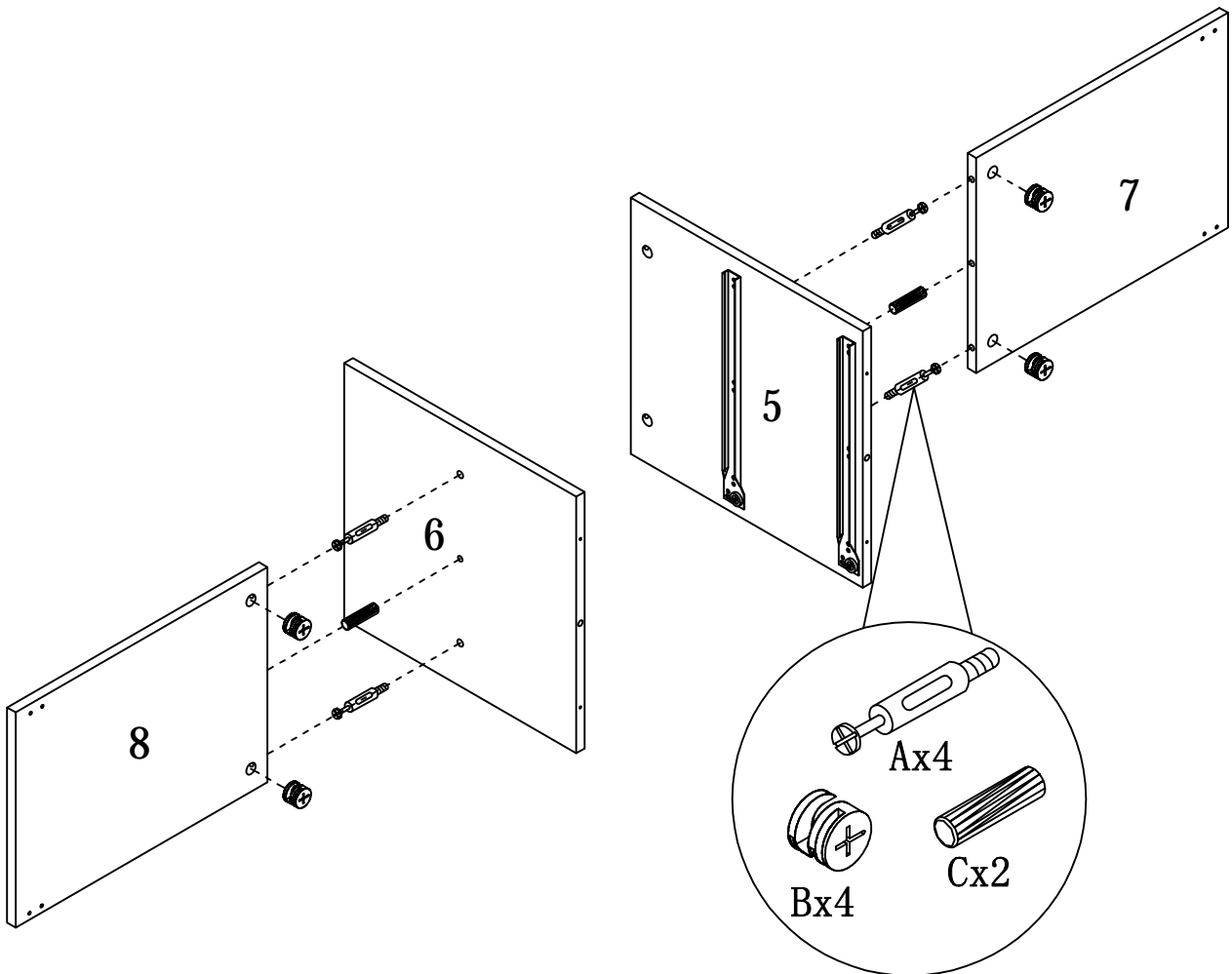
A		L29	20pcs
B		$\phi$ 15	20pcs
C		$\phi$ 8 x 25	10pcs
D		$\phi$ 4 x 40	4pcs
E		$\phi$ 20	12pcs
F		38 x 20x20	4pcs
G		$\phi$ 3.5 x 14	16pcs
H			18pcs
I		80 x 25x122	1pc
J		$\phi$ 4 x 16	2pcs
K		$\phi$ 16	4pcs
L		$\phi$ 4 x 30	8pcs
M		L20	16pcs
N		$\phi$ 12	16pcs
O		81 x 37x18	2pcs
P		$\phi$ 4 x 16 (cyan)	4pcs
Q		Glue: For securing please apply to wood dowel first before inserting into panel	1pc

# ASSEMBLY INSTRUCTION

ITEM#: 161626

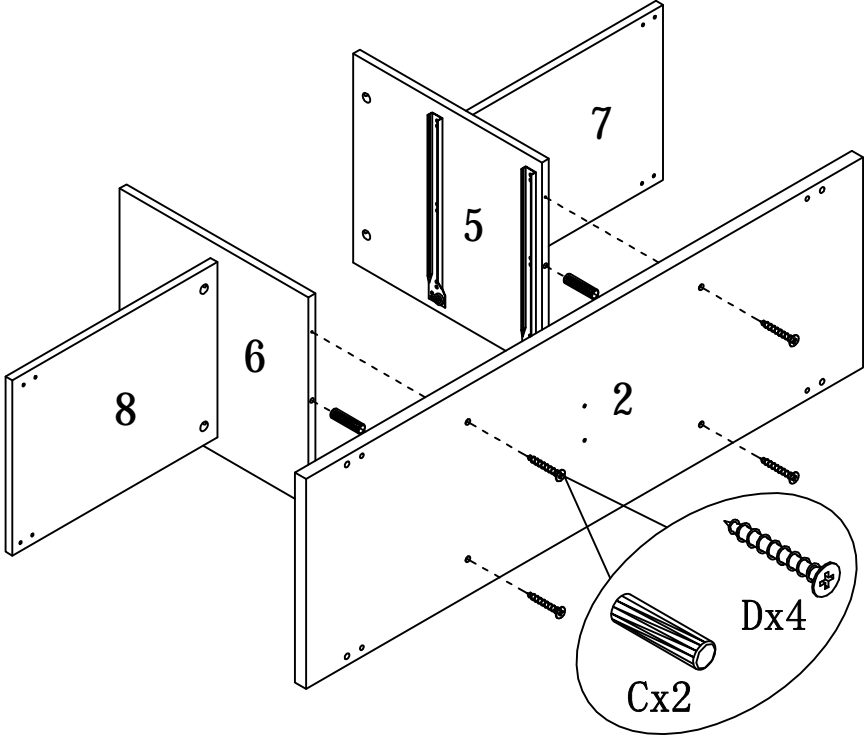
<p><b>HOW TO</b></p>  <p><b>Cam Bolt</b></p>  <p><b>Cam Lock</b></p>	<p><b>1</b></p>  <p>1. Screw Cam Bolt into panel.</p>	<p><b>2</b></p>  <p>2. Insert Cam Bolt into bolt hole of joining panel.</p>	<p><b>3</b></p>  <p>3. Insert Cam Lock. arrow facing bolt.</p>	<p><b>4</b></p>  <p>4. Gently turn Cam Lock clockwise to lock position.</p> <p>180°</p>
---	--	--	--	--

## STEP 1



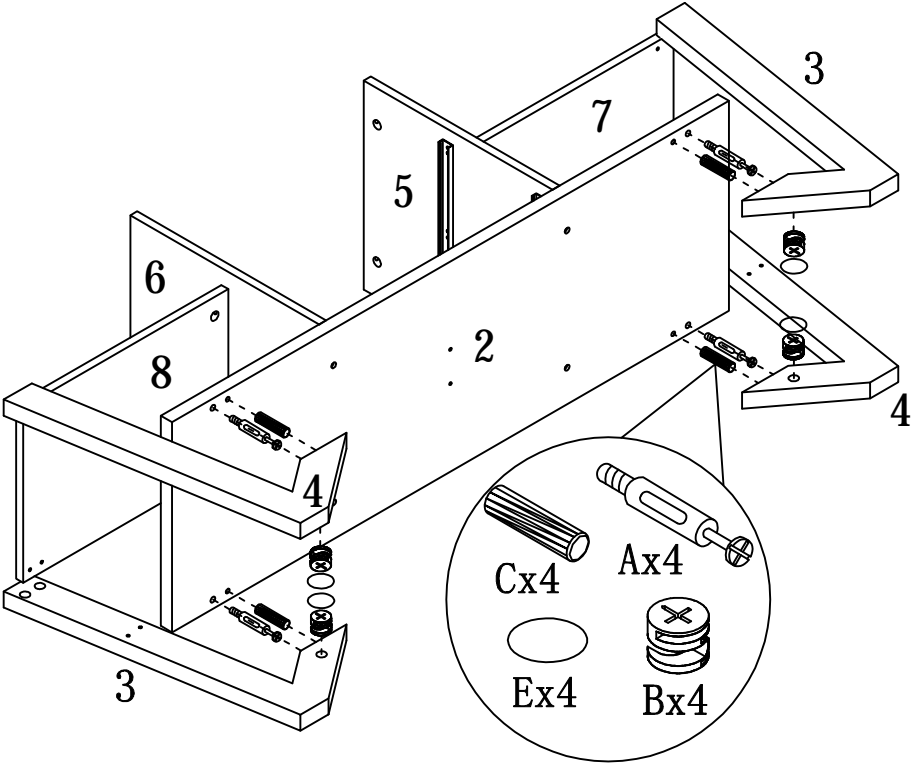
# ASSEMBLY INSTRUCTION

ITEM#: 161626



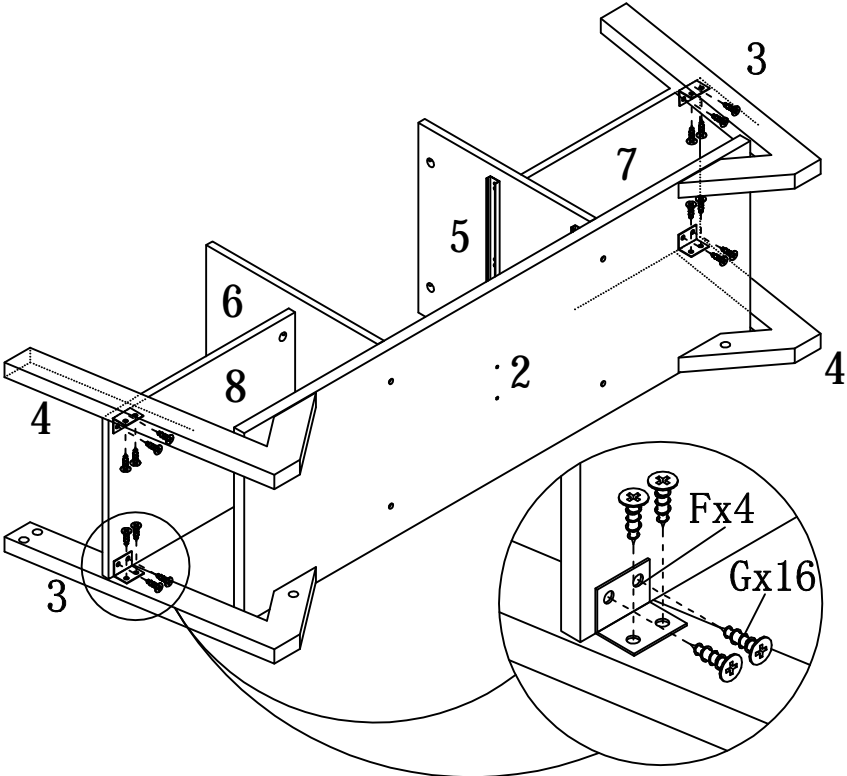
STEP2

STEP3



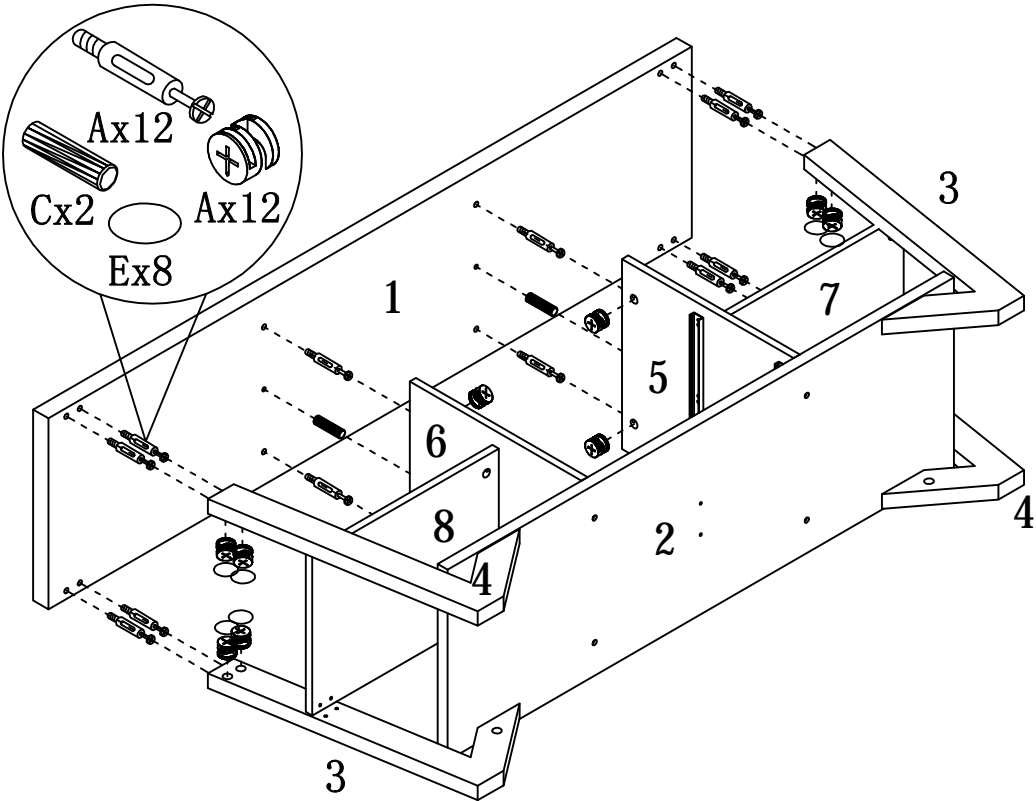
# ASSEMBLY INSTRUCTION

ITEM#: 161626



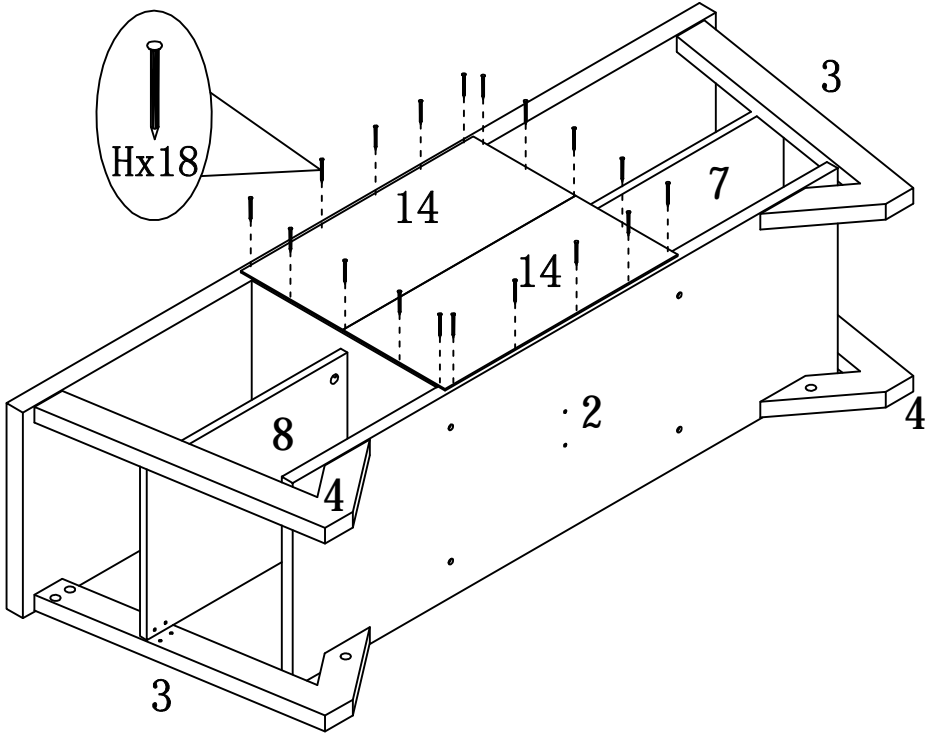
STEP4

STEP5



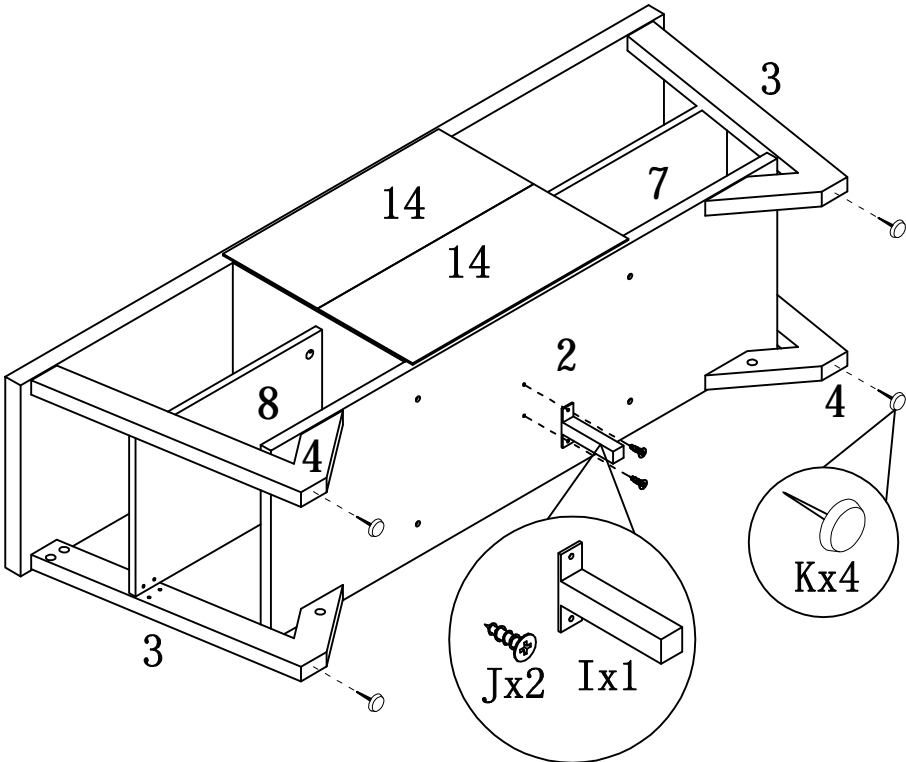
# ASSEMBLY INSTRUCTION

ITEM#: 161626



STEP6

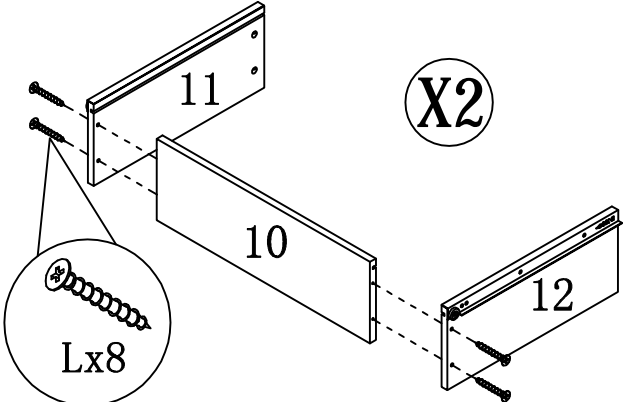
STEP7





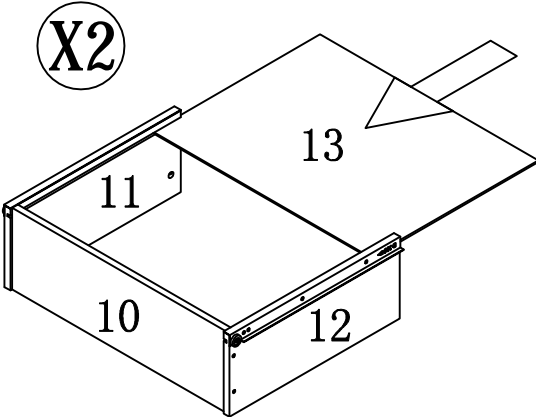
# ASSEMBLY INSTRUCTION

ITEM#: 161626

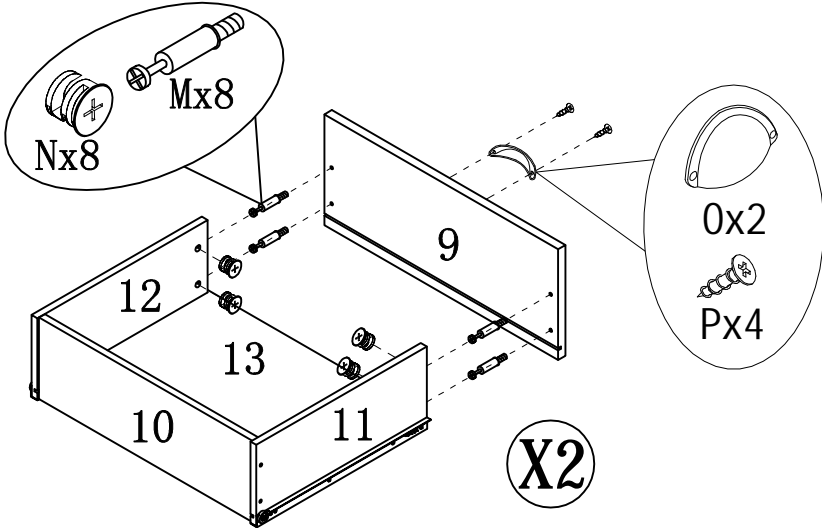


STEP8

STEP9

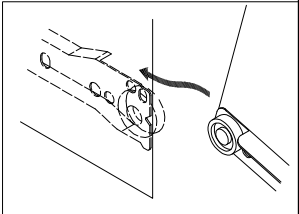
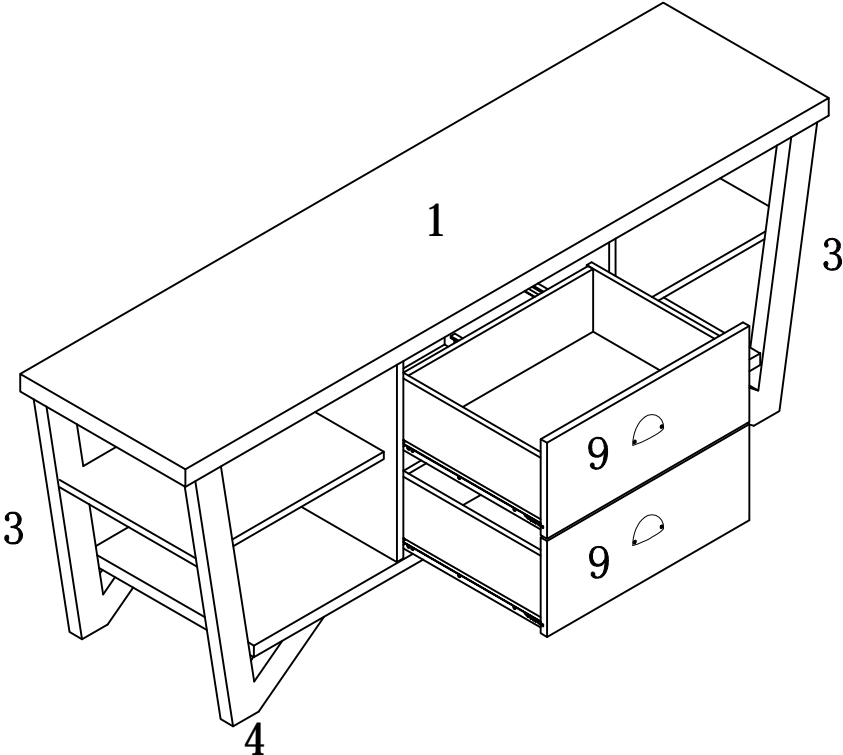


STEP10



# ASSEMBLY INSTRUCTION

ITEM#: 161626



STEP 11

STEP 12

