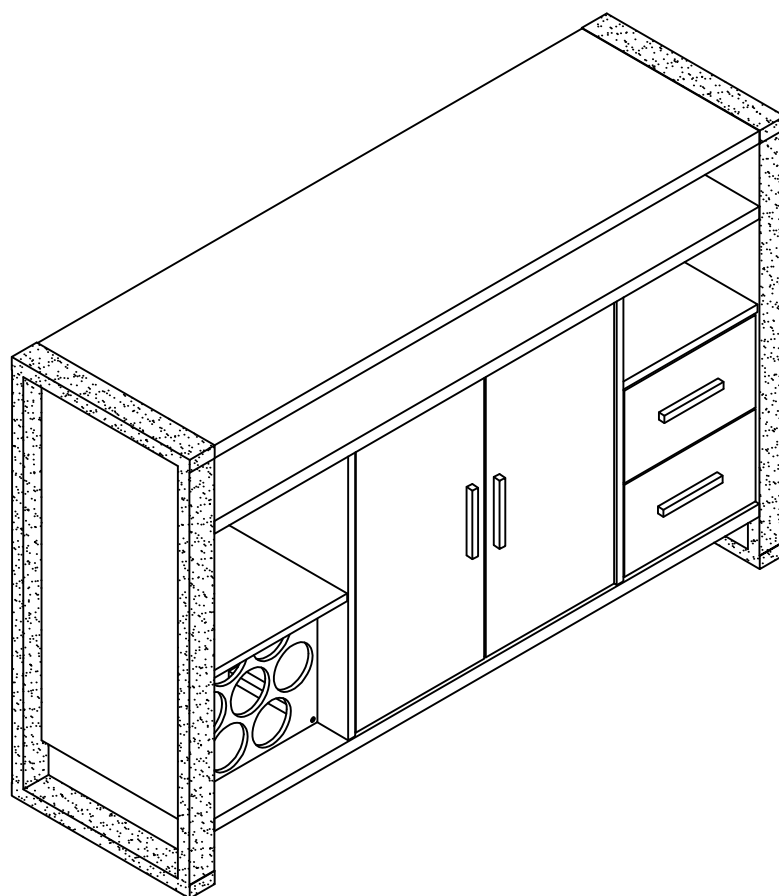


# ASSEMBLY INSTRUCTION

---

ITEM#: 161640



# ASSEMBLY INSTRUCTION

---

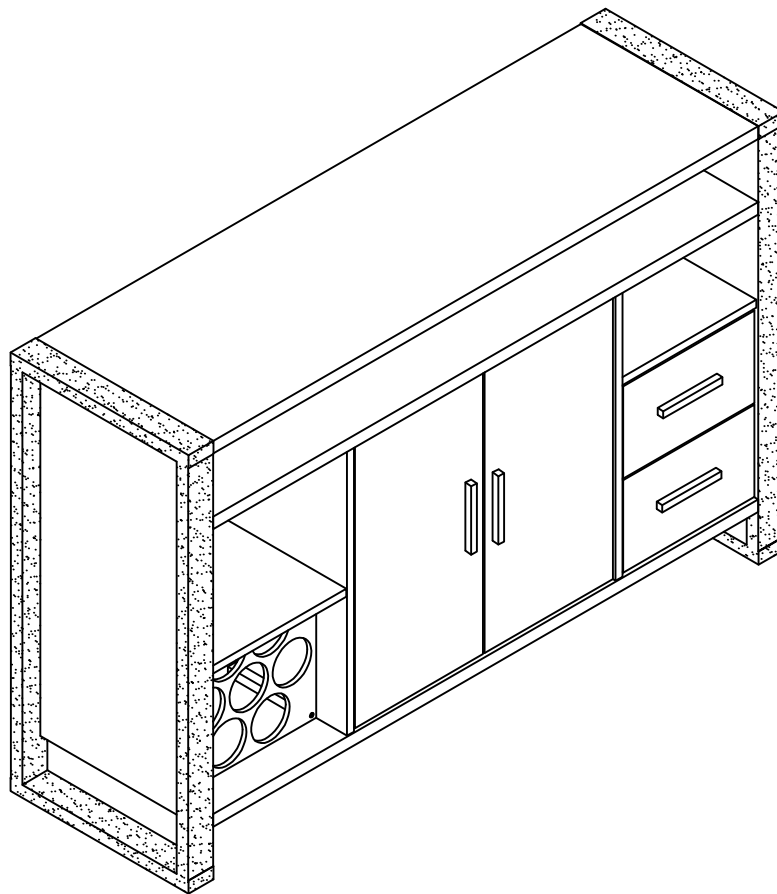
## PLEASE READ BEFORE ASSEMBLING!

Tip #1: Make sure you've taken all the pieces and hardware out of its packaging before discarding the box.

Tip #2: Using page 2 and/or page 3 of instruction manual make sure all pieces and hardware are accounted for.

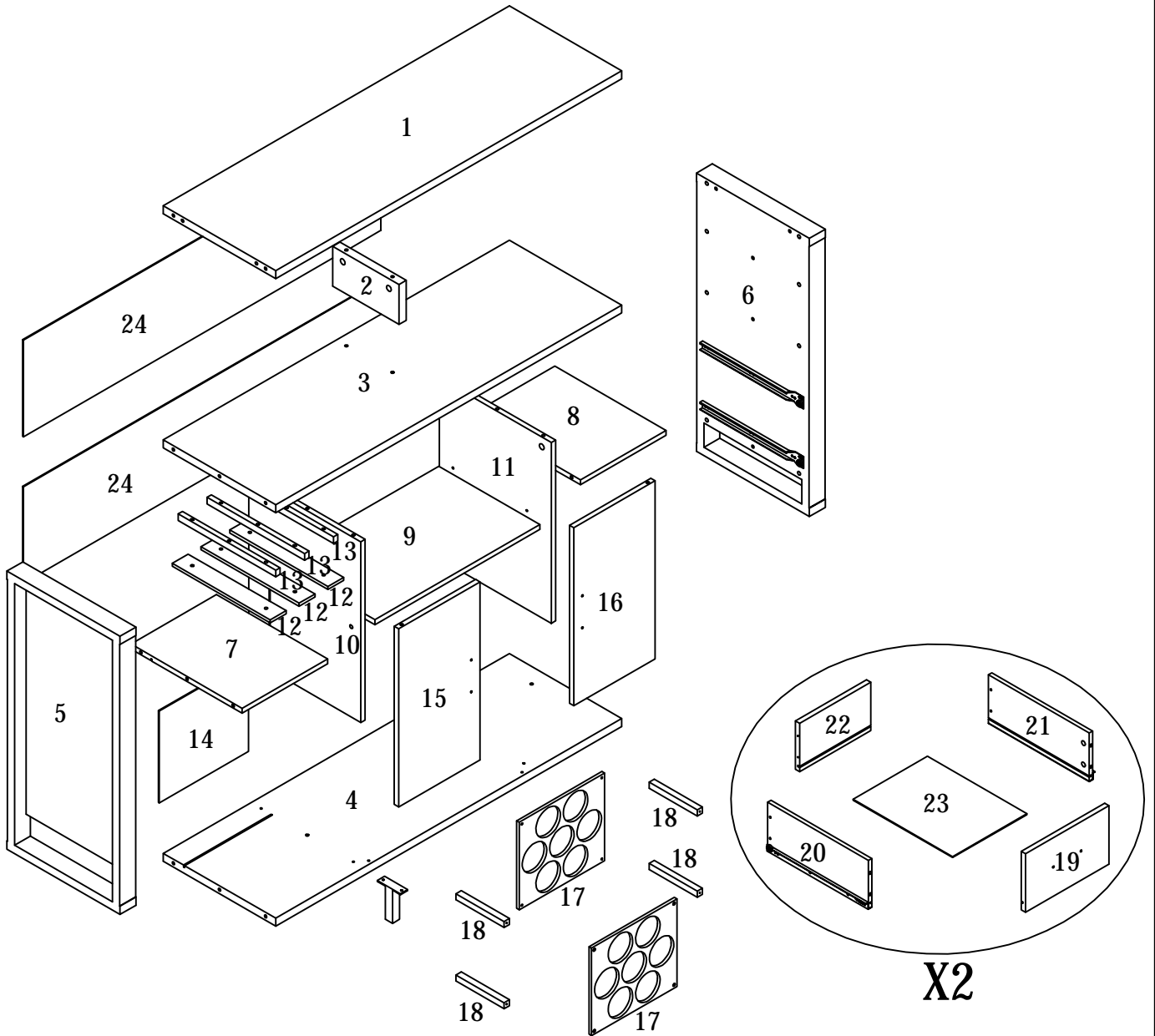
Tip #3: Read manual before assembling, it helps!

ITEM#: 161640



# PARTS IDENTIFICATION



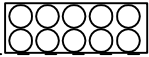
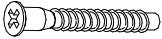


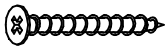





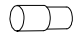


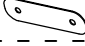
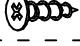

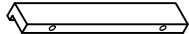

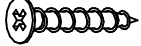
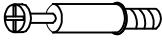

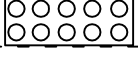
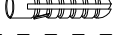

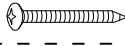
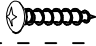

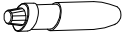
ITEM#: 161640



(1)	1pc	(8)	1pc	(15)	1pc	(22)	2pcs
(2)	1pc	(9)	1pc	(16)	1pc	(23)	2pcs
(3)	1pc	(10)	1pc	(17)	2pcs	(24)	2pcs
(4)	1pc	(11)	1pc	(18)	4pcs		
(5)	1pc	(12)	3pcs	(19)	2pcs		
(6)	1pc	(13)	3pcs	(20)	2pcs		
(7)	1pc	(14)	1pc	(21)	2pcs		


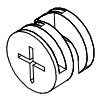
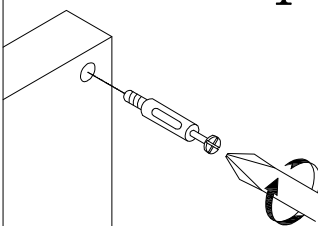
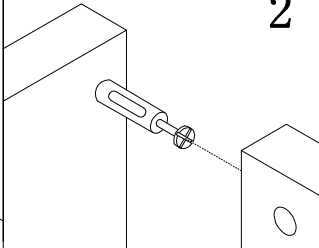
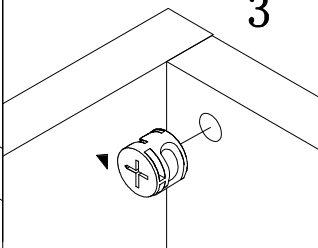
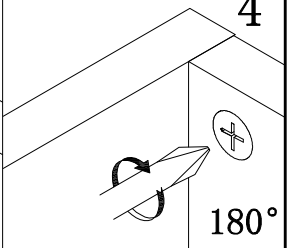
# HARDWARE IDENTIFICATION

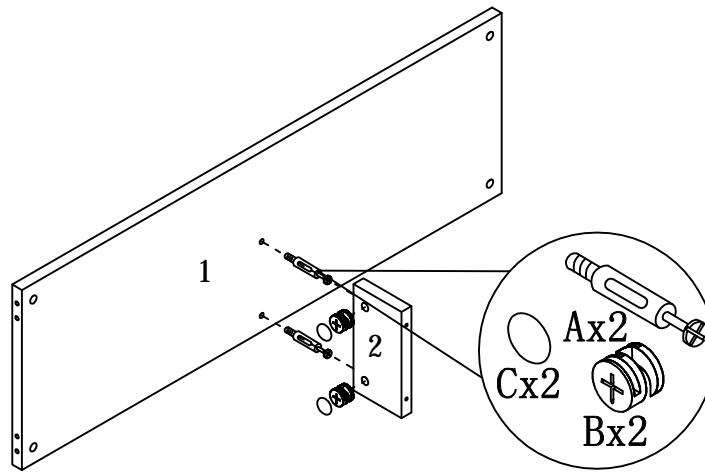
ITEM#: 161640

A		L29	26pcs
B		Φ 15	26pcs
C		Φ 20	6pcs
D		M7 x 48	2pcs
E		Φ 8 x Φ 16x2	2pcs
F		Φ 8 x 25	21pcs
G		□4 x 40	4pcs
H		Φ 16	4pcs
I		80 x 25x102	1pc
J		Φ 4 x 16	2pcs
K			35pcs
L		M6 x 35	6pcs
M		Φ 5 x 15	4pcs
N			2pcs
O		Φ 3 x 16	4pcs
P			2pcs
Q		Φ 3 x 14	4pcs
R			2pcs
S		96#	4pcs
T		Φ 4 x 22	8pcs
U		Φ 4 x 30	16pcs
V		L20	8pcs
W		Φ 12	8pcs
X		Φ 13	4pcs
Y		Φ8x40	1pc
Z		Φ12x12x1	2pcs
A1		Φ5x40	1pc
B1		Φ4x25	1pc
C1		197x5x1	1pc
D1		Glue: For securing please apply to wood dowel first before inserting into panel	1pc

# ASSEMBLY INSTRUCTION

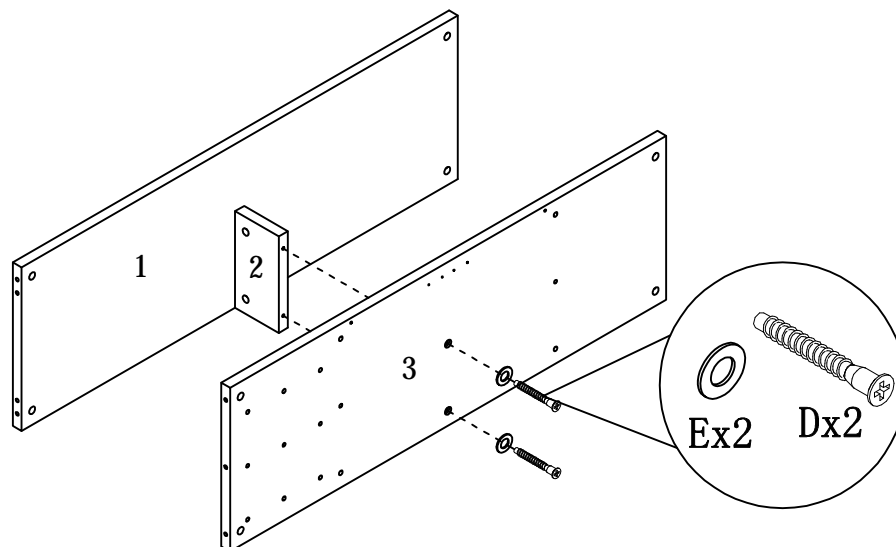
ITEM#: 161640

HOW TO	1	2	3	4
 Cam Bolt   Cam Lock				 180°
	1. Screw Cam Bolt into panel.	2. Insert Cam Bolt into bolt hole of joining panel.	3. Insert Cam Lock. arrow facing bolt.	4. Gently turn Cam Lock clockwise to lock position.



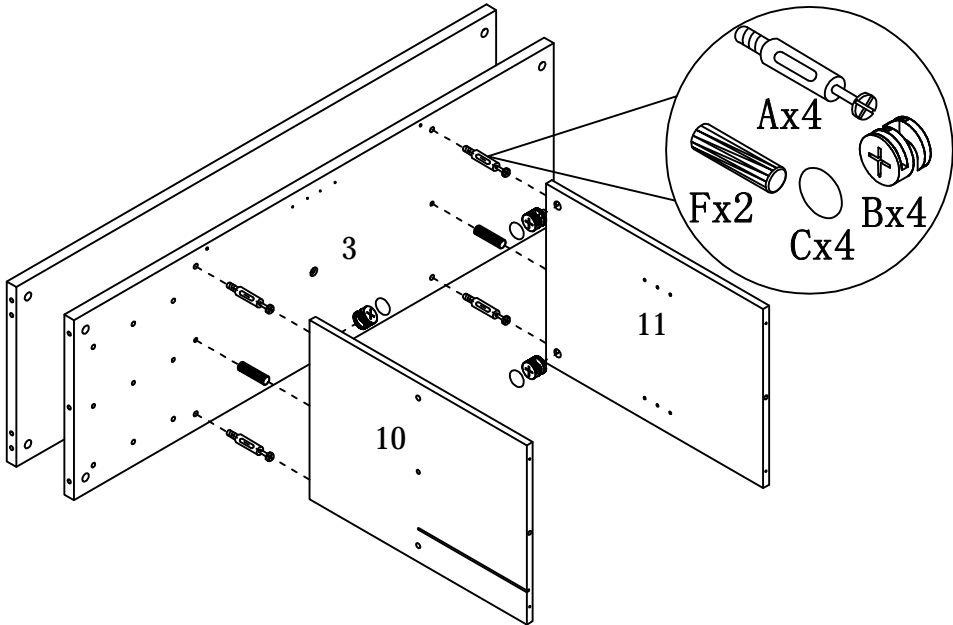
STEP1

STEP2



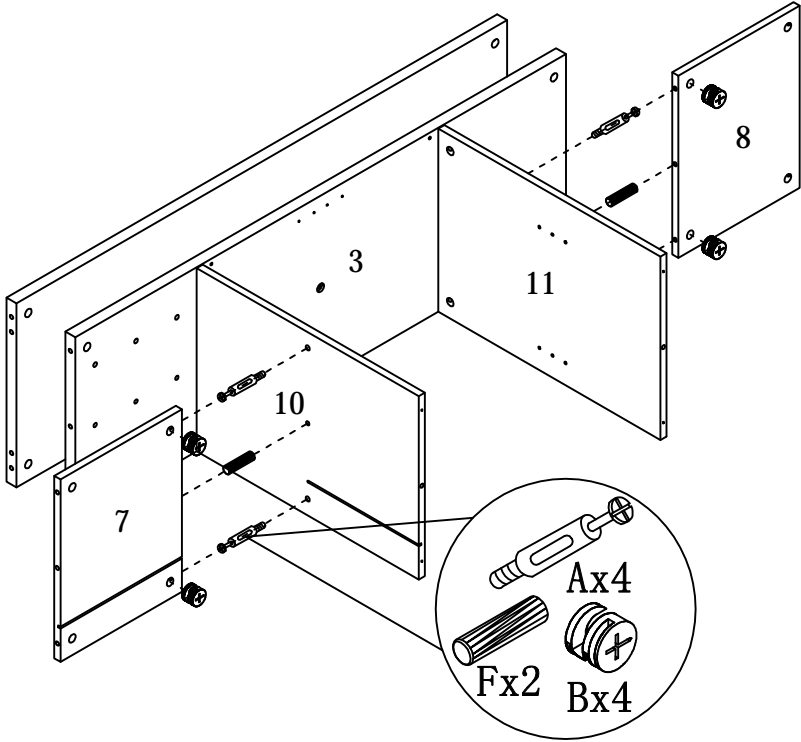
# ASSEMBLY INSTRUCTION

ITEM#: 161640



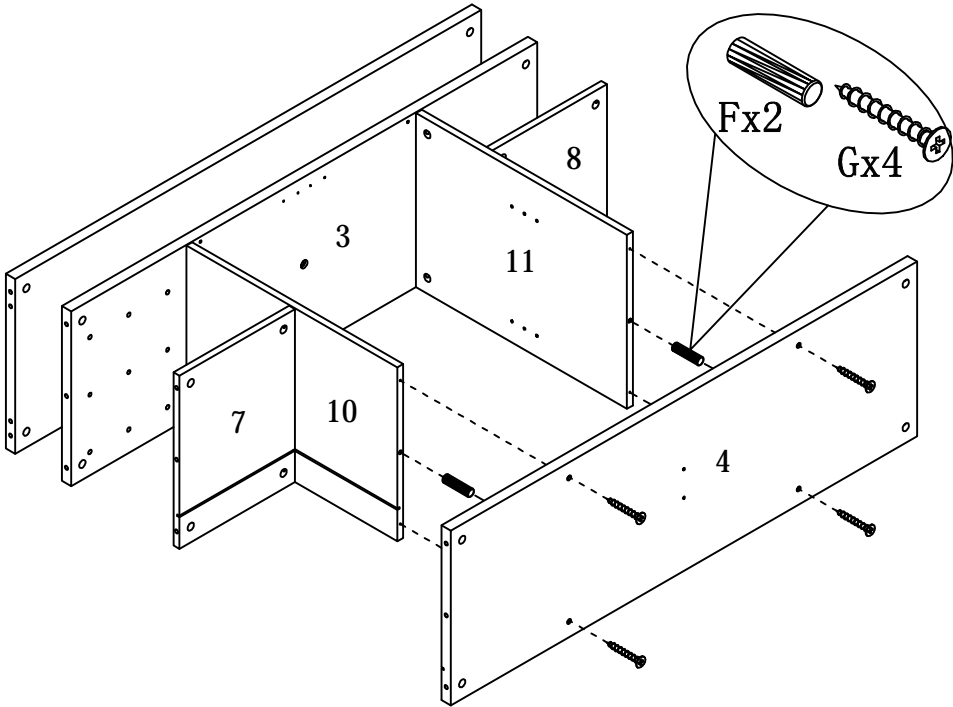
STEP3

STEP4



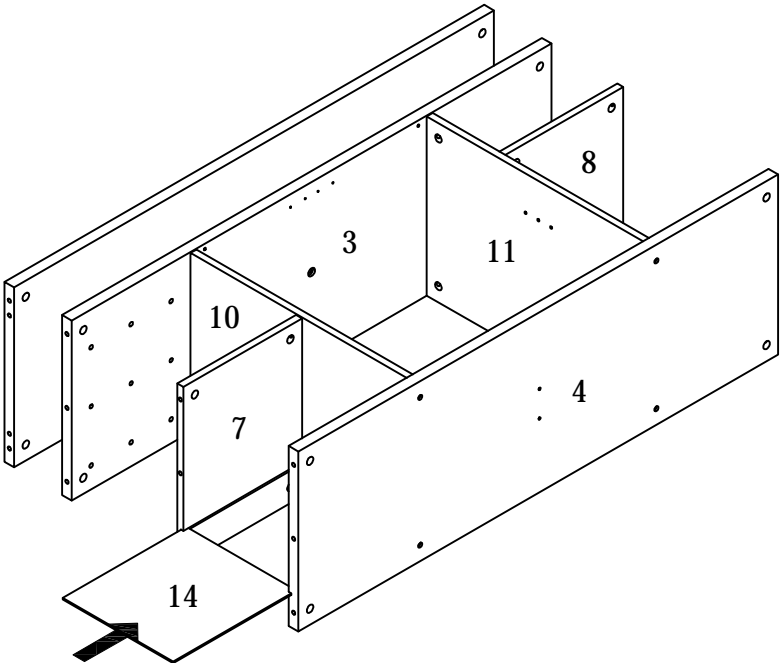
# ASSEMBLY INSTRUCTION

ITEM#: 161640



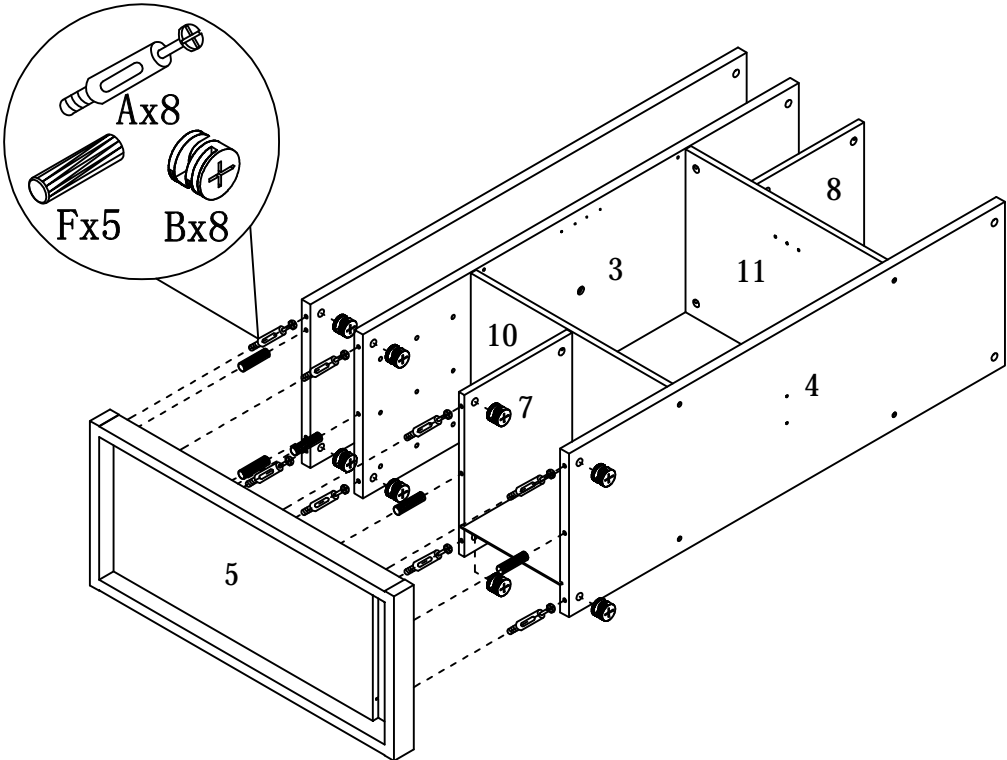
STEP5

STEP6



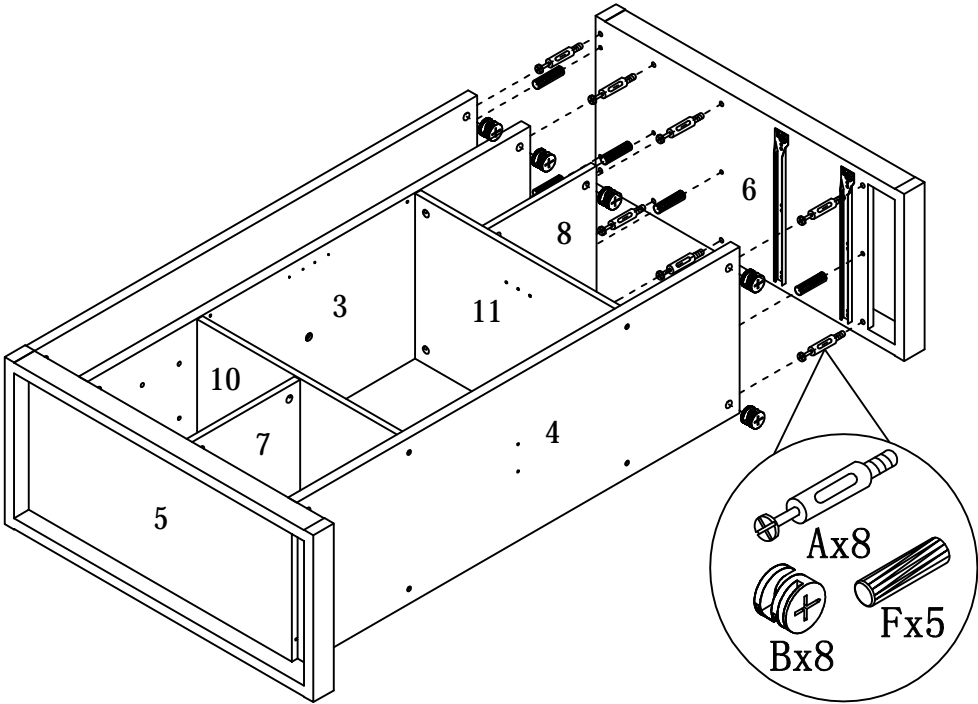
# ASSEMBLY INSTRUCTION

ITEM#: 161640



STEP7

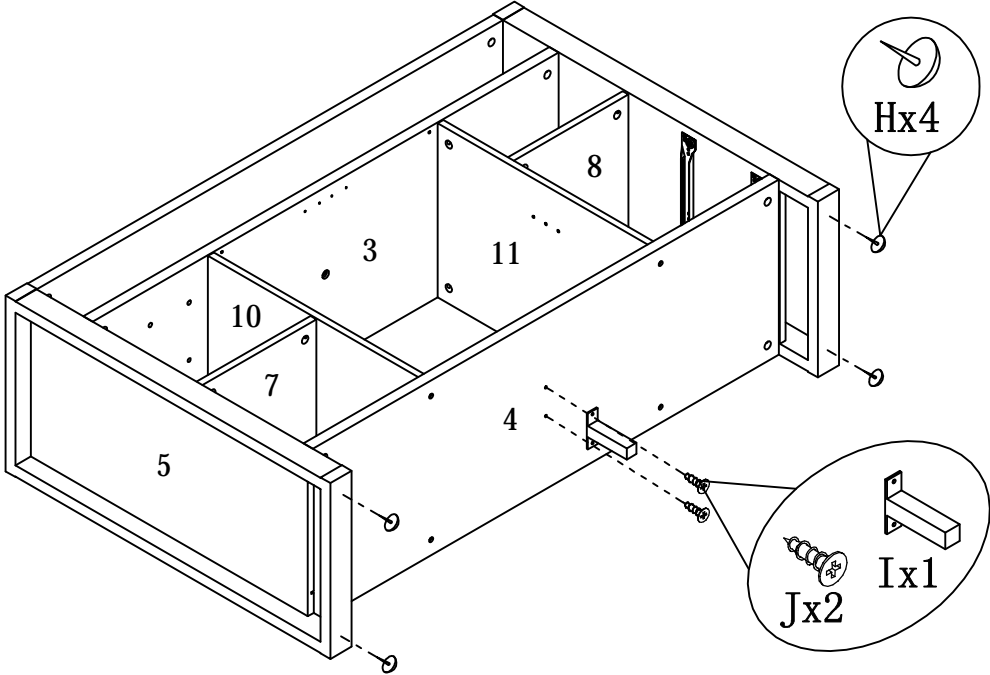
STEP8





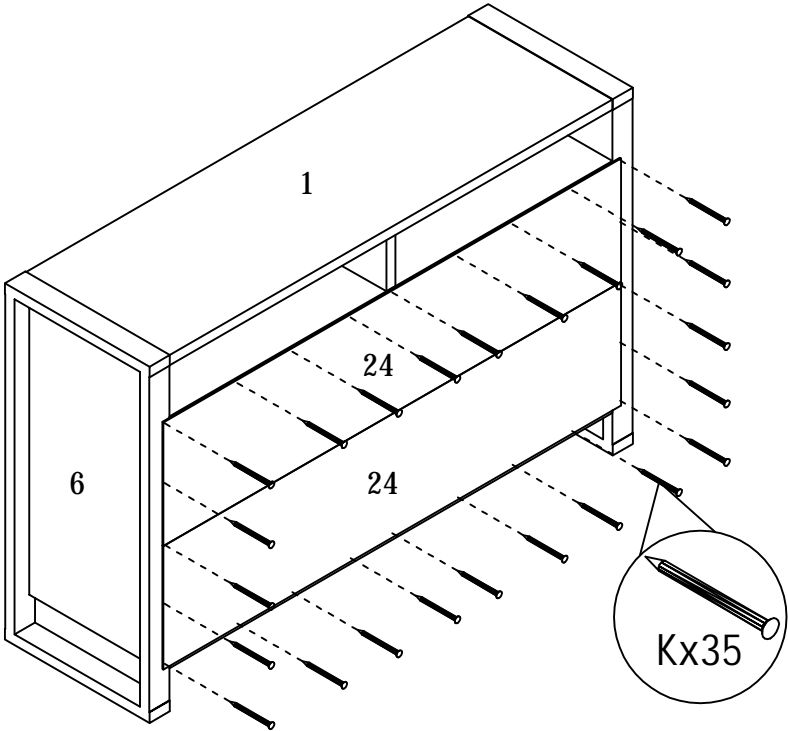
# ASSEMBLY INSTRUCTION

ITEM#: 161640



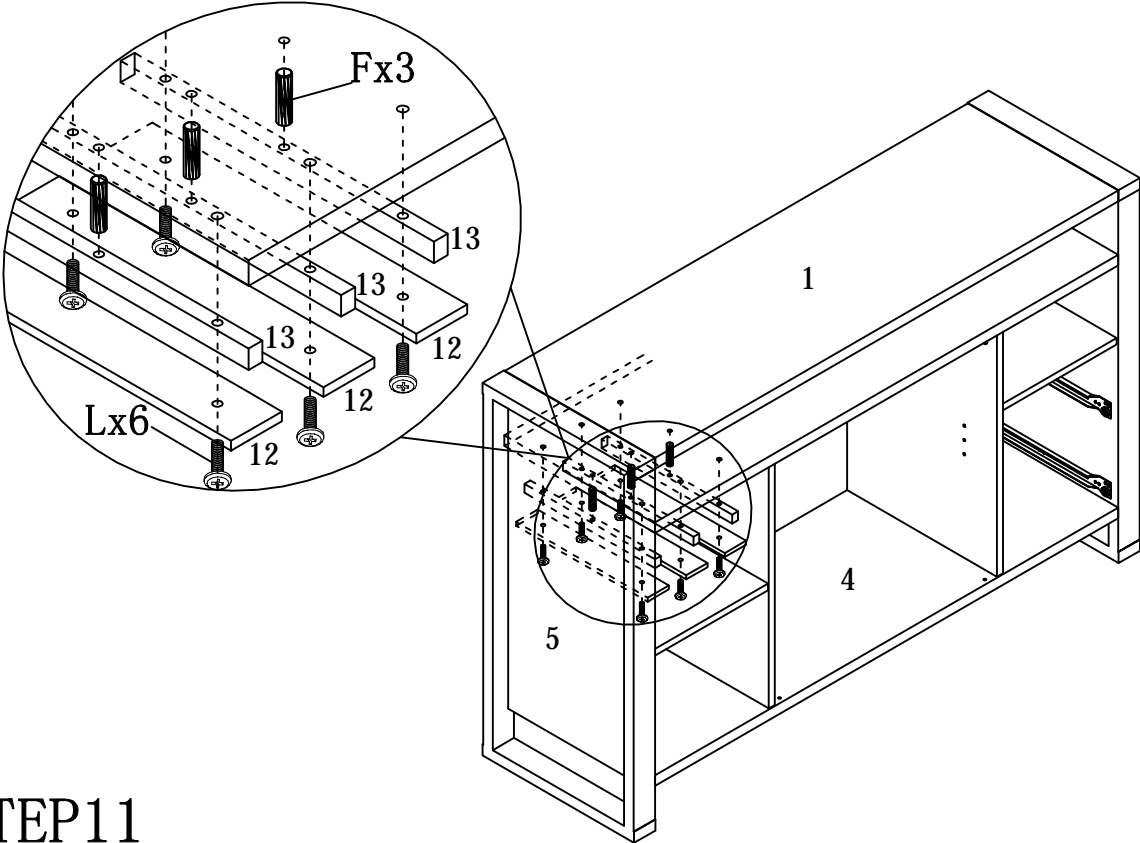
STEP9

STEP10



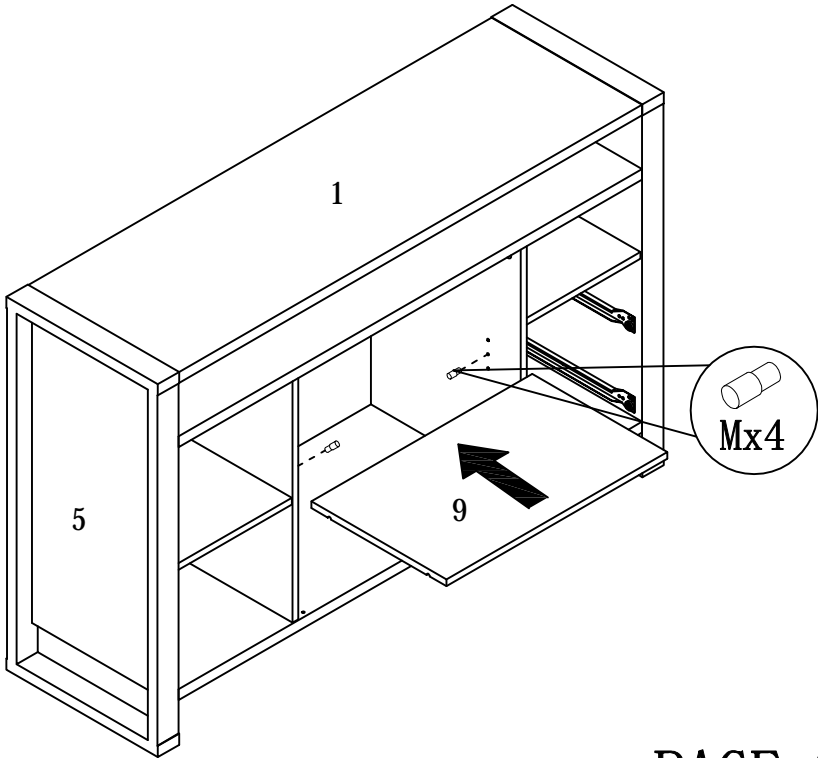
# ASSEMBLY INSTRUCTION

ITEM#: 161640



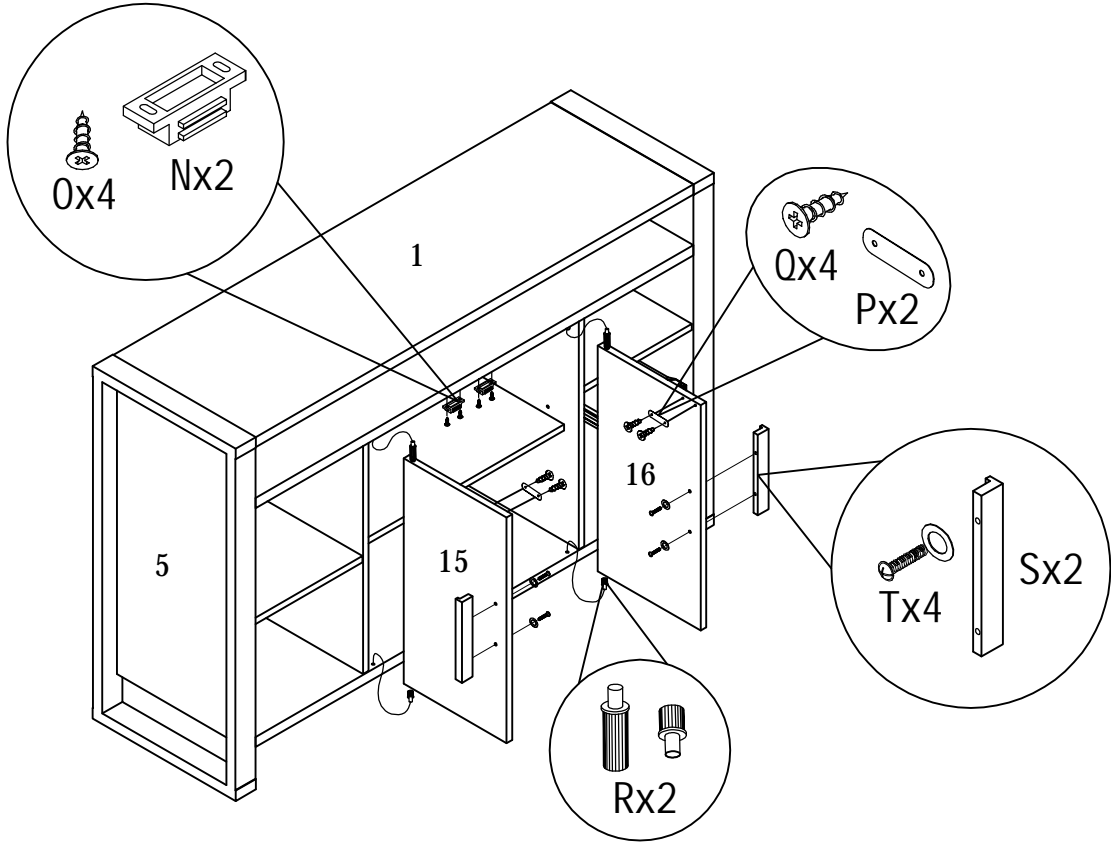
STEP 11

STEP 12



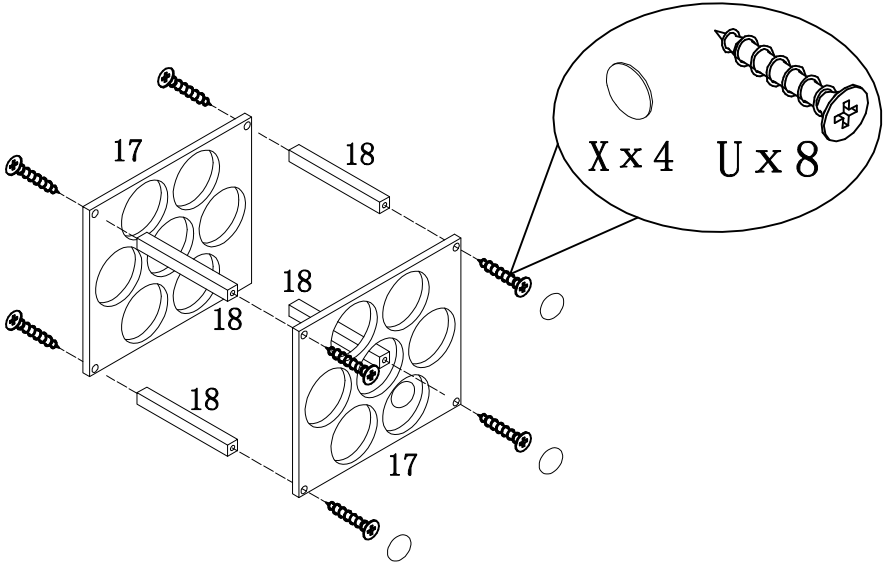
# ASSEMBLY INSTRUCTION

ITEM#: 161640



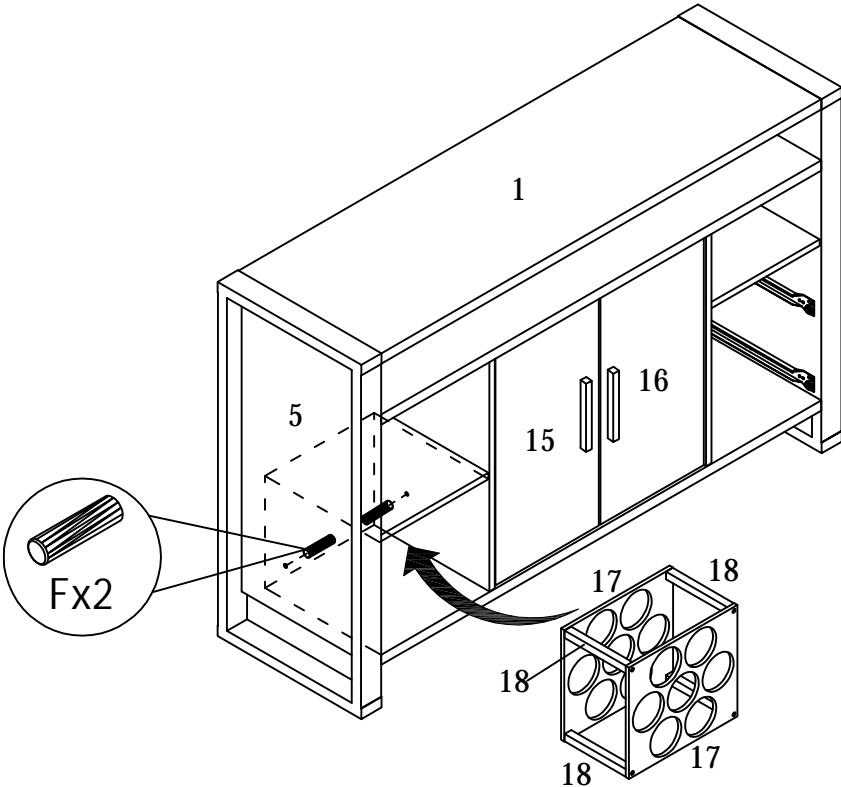
## STEP 13

## STEP 14



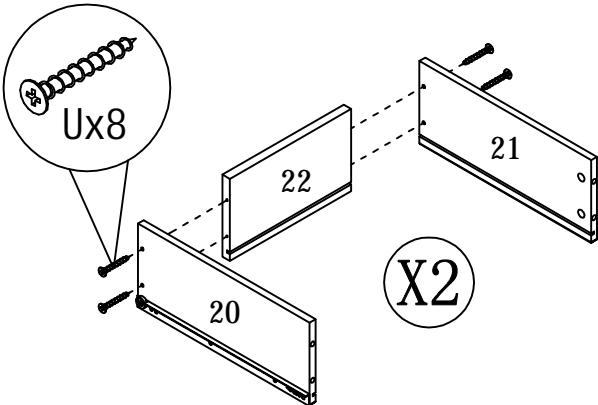
# ASSEMBLY INSTRUCTION

ITEM#: 161640

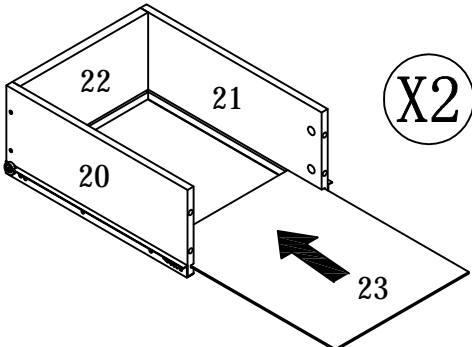


STEP 15

STEP 16

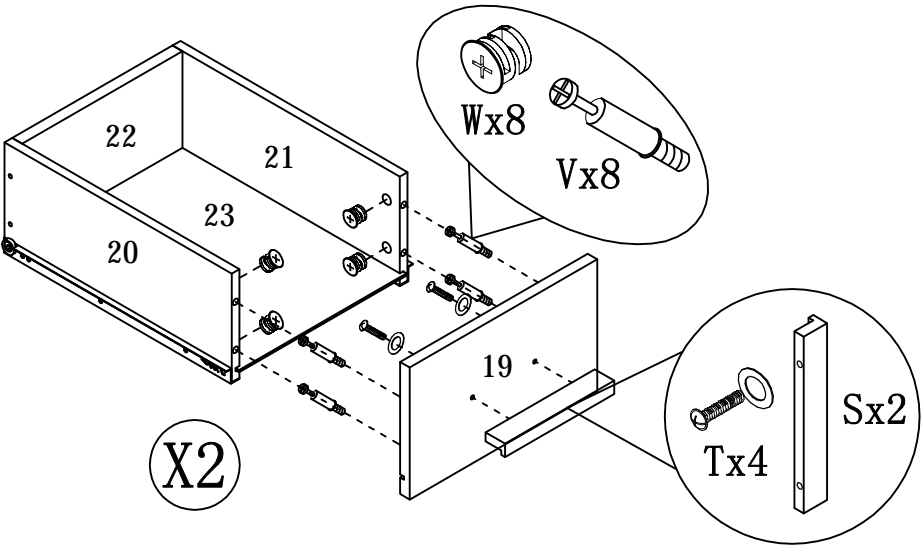


STEP 17



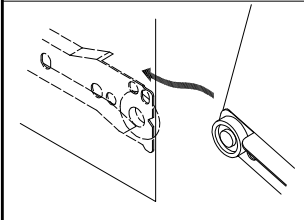
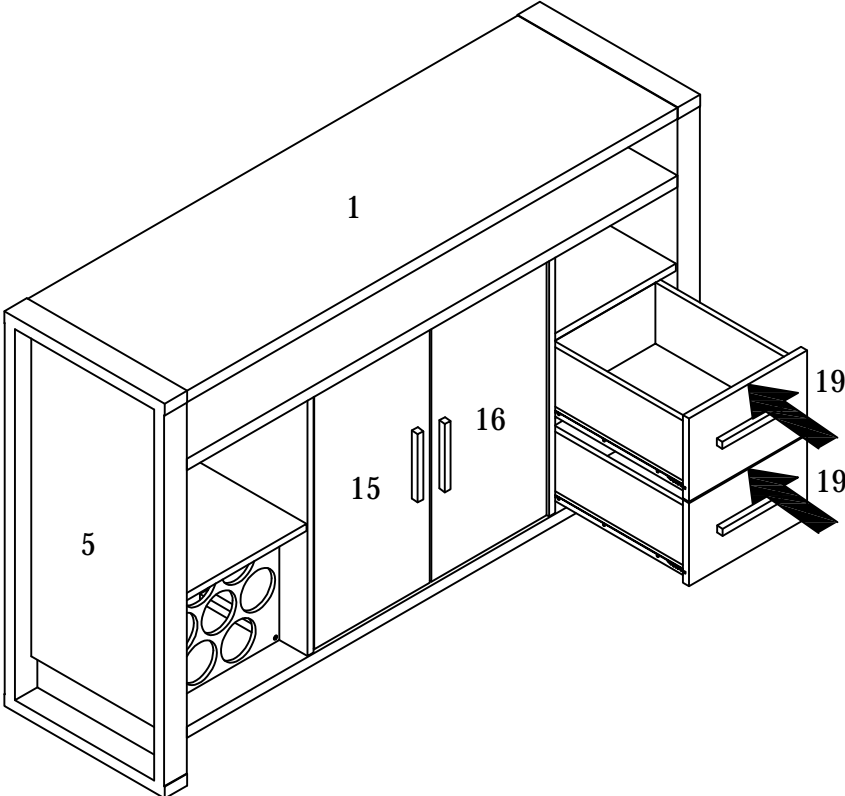
# ASSEMBLY INSTRUCTION

ITEM#: 161640



STEP 18

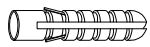
STEP 19



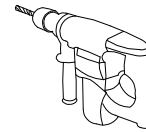
# ANTI-TIPPING STRAP INSTRUCTION

## HARDWARE (INCLUDED) :

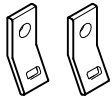
## TOOLS NEEDED ( NOT INCLUDED) :



DRYWALL ANCHOR  $\phi 8 \times 40$  X 1PC



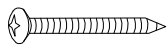
DRILL & DRILL BIT



METAL BRACKETS  $12 \times 12 \times 1$  X 2PCS



LIGHT HAMMER



DRYWALL SCREW  $\phi 5 \times 40$  X 1PC



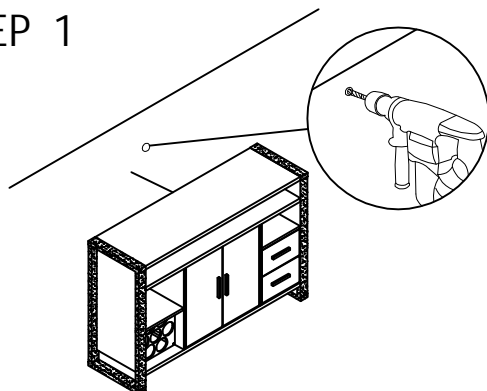
STRAP  $197 \times 5 \times 1$  X 1PC



FLATHEAD SCREW  $\phi 4 \times 25$  X 1PC

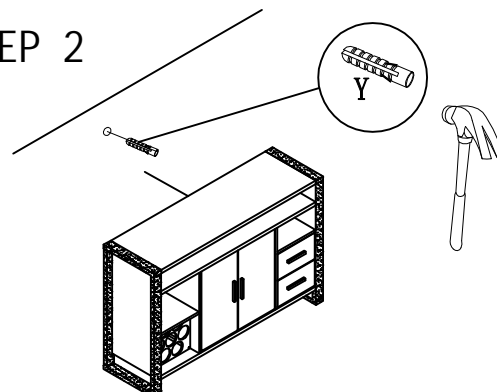
Note: Hardware included only compatible with standard drywalls.

### STEP 1



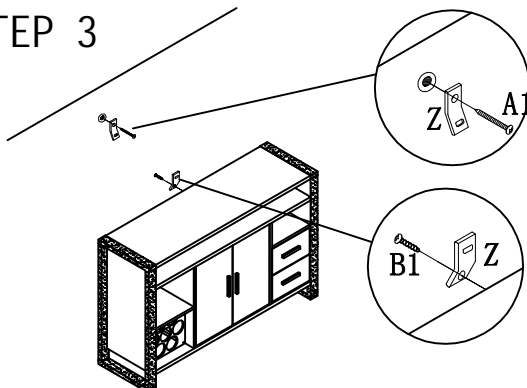
1. Find spot on wall 1" below top of item.
2. Using a drill bit slightly thinner than anchor, drill hole into drywall.

### STEP 2



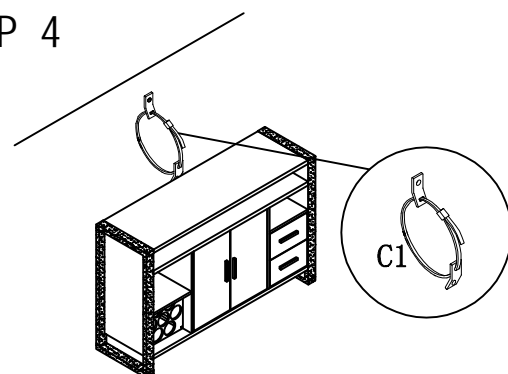
1. Use a light hammer to tap anchor into hole.
2. Anchor should fit snugly. If hole is too small, drill again to increase hole size. Do not force anchor into wall.

### STEP 3



1. Insert drywall screw into metal bracket and into drywall anchor.
2. Insert flathead screw into second metal bracket and into back of item along top edge.

### STEP 4



1. Insert strap thru bracket attached to wall, then thru bracket on item, and into head of strap.
  2. pull lightly til strap stops.
- Assembly is complete.