

ASSEMBLY INSTRUCTION

ITEM#: 161641



ASSEMBLY INSTRUCTION

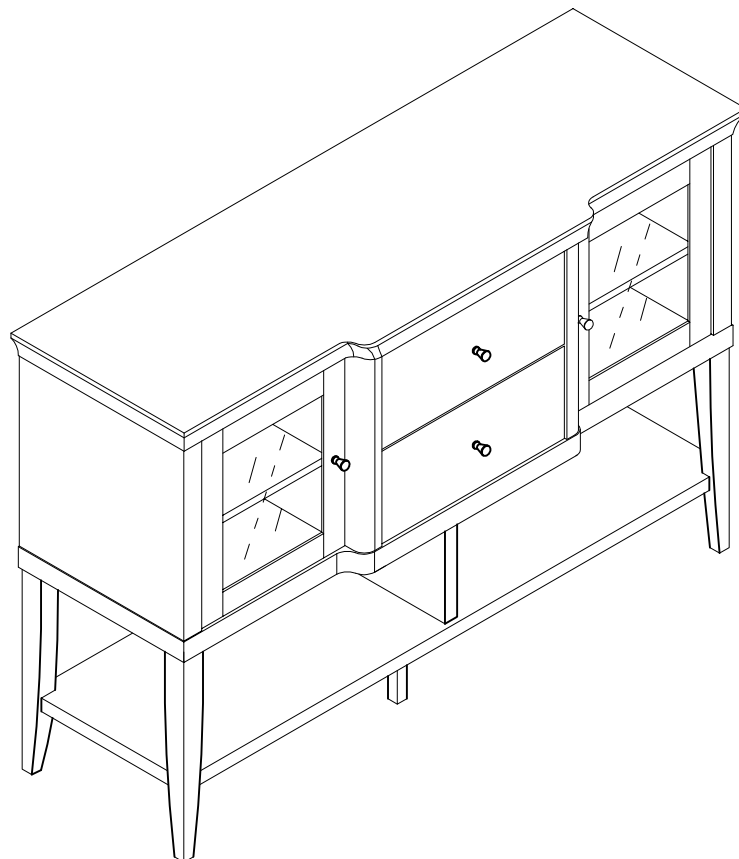
PLEASE READ BEFORE ASSEMBLING!

Tip #1: Make sure you've taken all the pieces and hardware out of its packaging before discarding the box.

Tip #2: Using page 2 and/or page 3 of instruction manual make sure all pieces and hardware are accounted for.

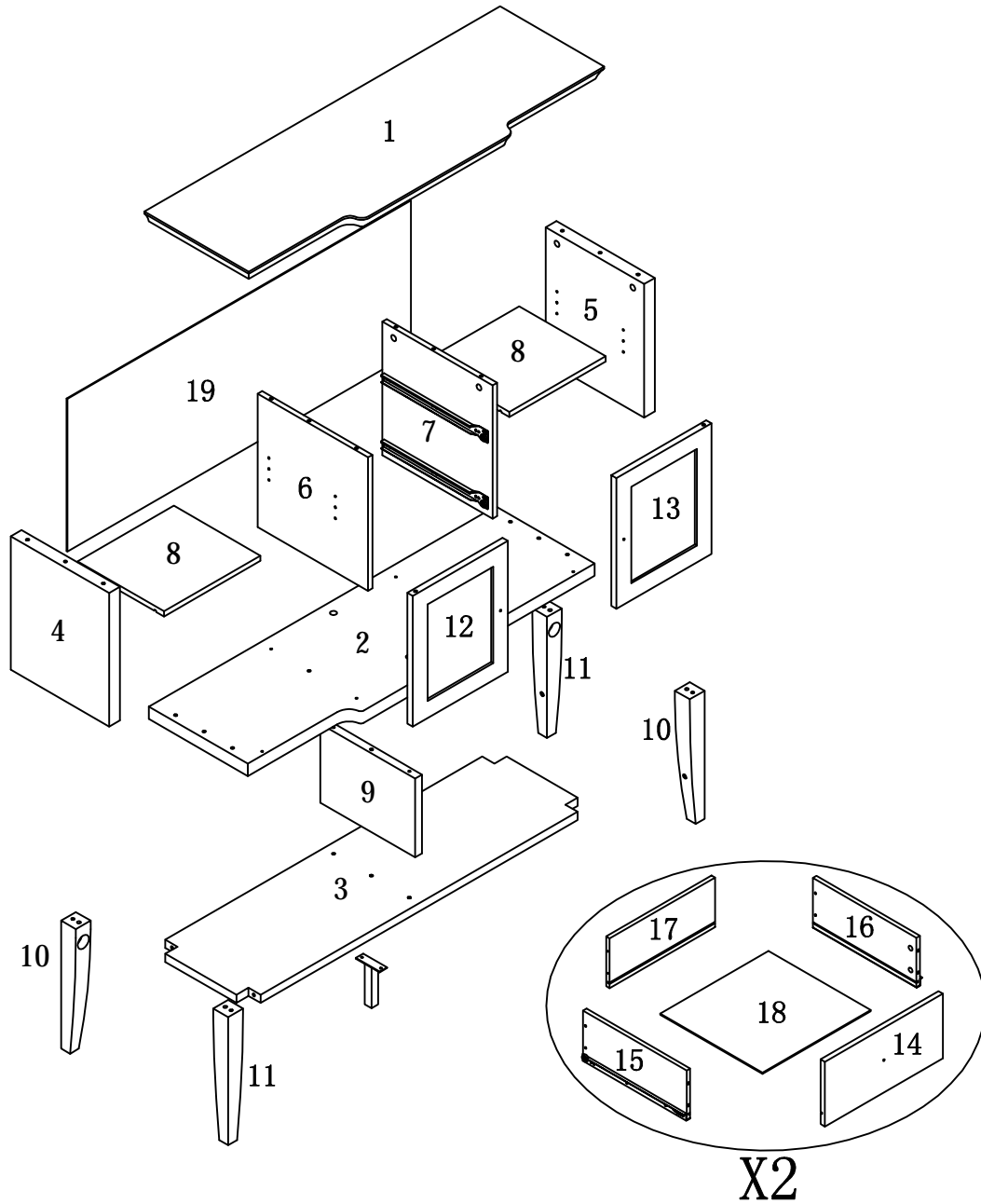
Tip #3: Read manual before assembling, it helps!

ITEM#: 161641



PARTS IDENTIFICATION

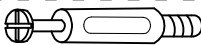













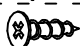

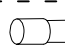

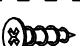
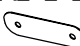
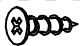




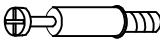




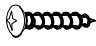


ITEM#: 161641



(1)	1pc	(8)	2pcs	(15)	2pcs
(2)	1pc	(9)	1pc	(16)	2pcs
(3)	1pc	(10)	2pcs	(17)	2pcs
(4)	1pc	(11)	2pcs	(18)	4pcs
(5)	1pc	(12)	1pc	(19)	1pc
(6)	1pc	(13)	1pc		
(7)	1pc	(14)	2pcs		

HARDWARE IDENTIFICATION



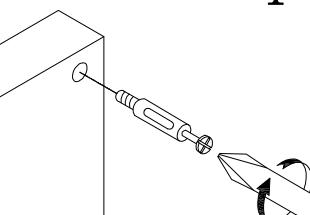
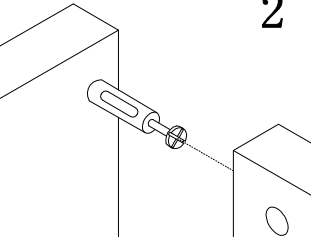
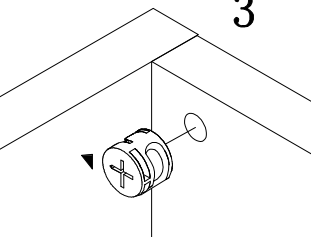
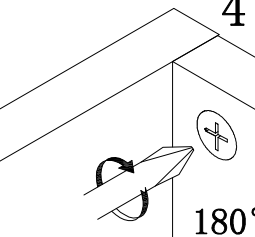
ITEM#: 161641

A		L29	12pcs
B		Φ 15	12pcs
C		Φ 8 x 25	14pcs
D		Φ 20	4pcs
E		M7 x 48	8pcs
F		Φ 8 x Φ 16x2	12pcs
G		□ 4 x 40	4pcs
H		M8x70	4pcs
I		M8	4pcs
J		M8	4pcs
K		Φ45	4pcs
L		M13	1pc
M		Φ 16	4pcs
N		80 x 25x122	1pc
O		Φ 4 x 16	2pcs
P			30pcs
Q		Φ 5 x 15	8pcs
R			2pcs
S		Φ 3 x 16	4pcs
T			2pcs
U		Φ 3 x 14	4pcs
V			2pcs
W			4pcs
X		Φ 4 x 22	4pcs
Y		Φ 4 x 30	8pcs
Z		L20	8pcs
A1		Φ 12	8pcs
B1		Φ8x40	1pc
C1		Φ12x12x1	2pcs
D1		Φ5x40	1pc
E1		Φ4x25	1pc
F1		197×5×1	1pc
G1			1pc

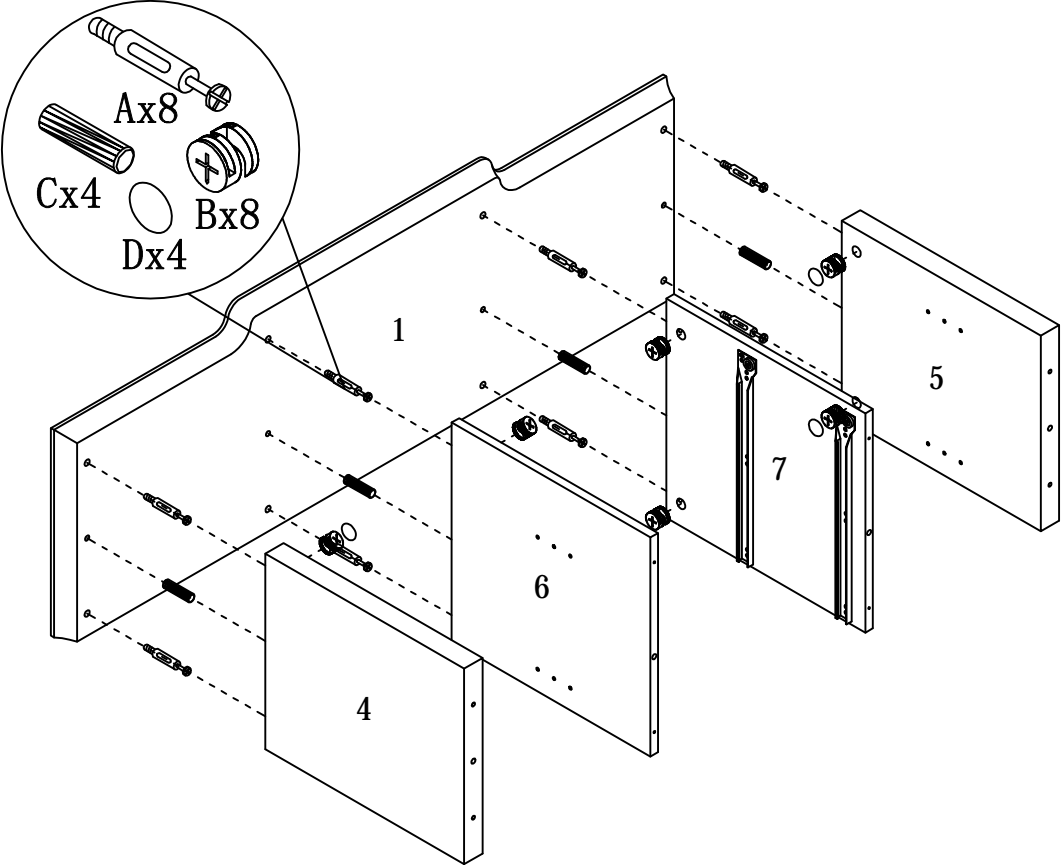
Glue: For securing please apply to wood dowel first before inserting into panel

ASSEMBLY INSTRUCTION

ITEM#: 161641

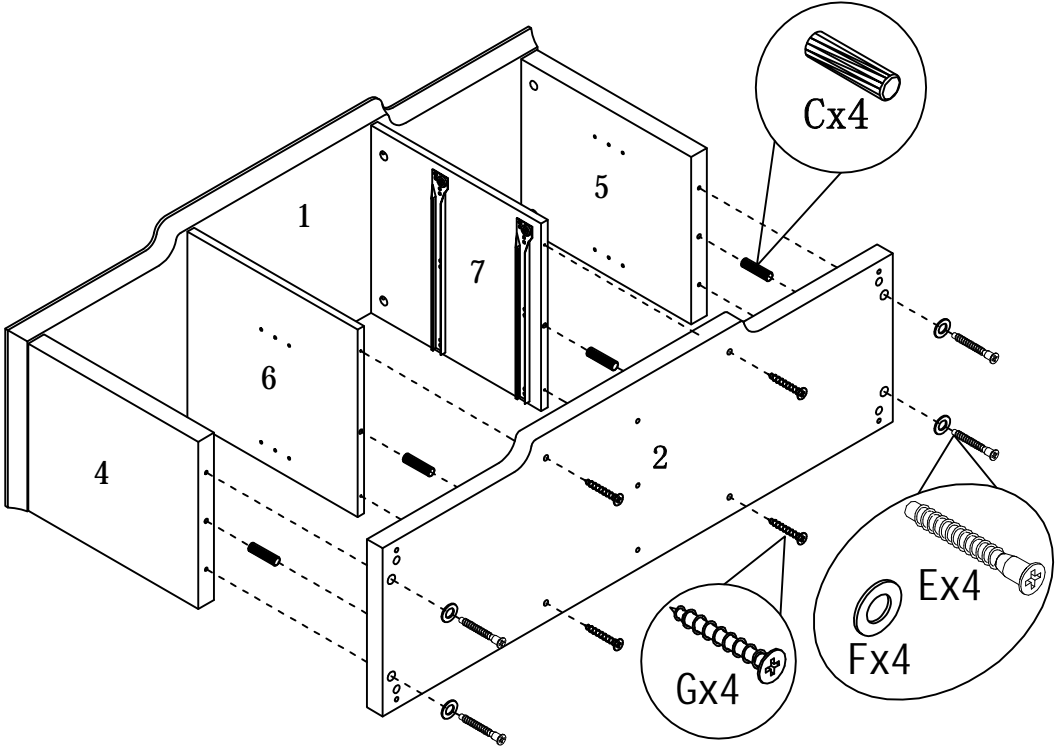
<p>HOW TO</p>  <p>Cam Bolt</p>  <p>Cam Lock</p>	<p>1</p> 	<p>2</p> 	<p>3</p> 	<p>4</p>  <p>180°</p>
	<p>1. Screw Cam Bolt into panel.</p>	<p>2. Insert Cam Bolt into bolt hole of joining panel.</p>	<p>3. Insert Cam Lock. arrow facing bolt.</p>	<p>4. Gently turn Cam Lock clockwise to lock position.</p>

STEP1



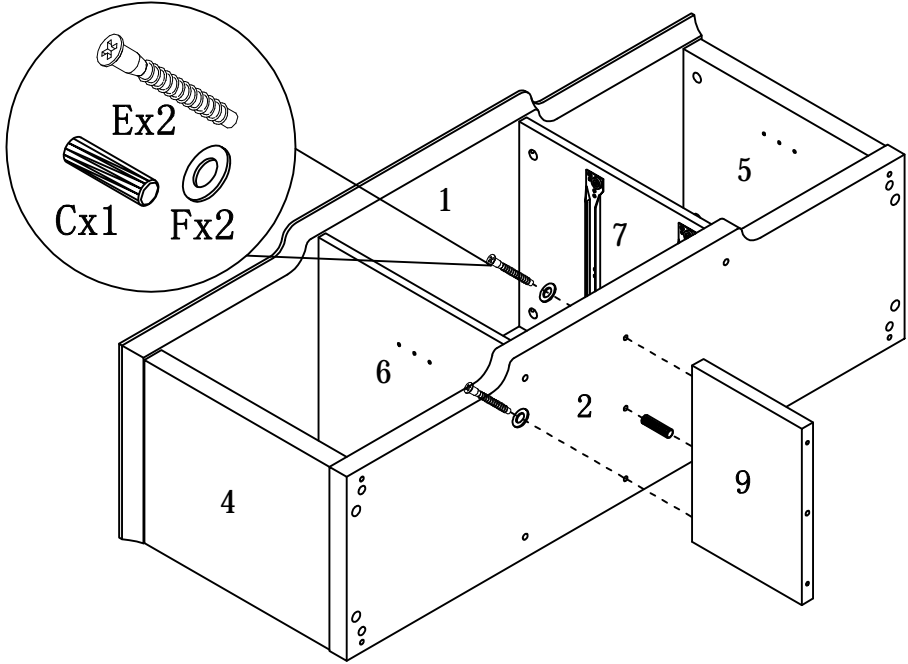
ASSEMBLY INSTRUCTION

ITEM#: 161641



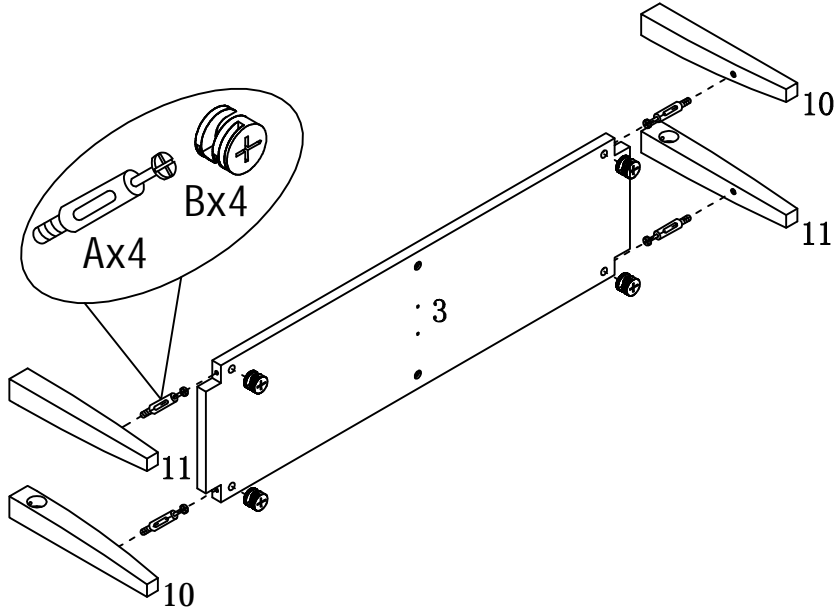
STEP2

STEP3



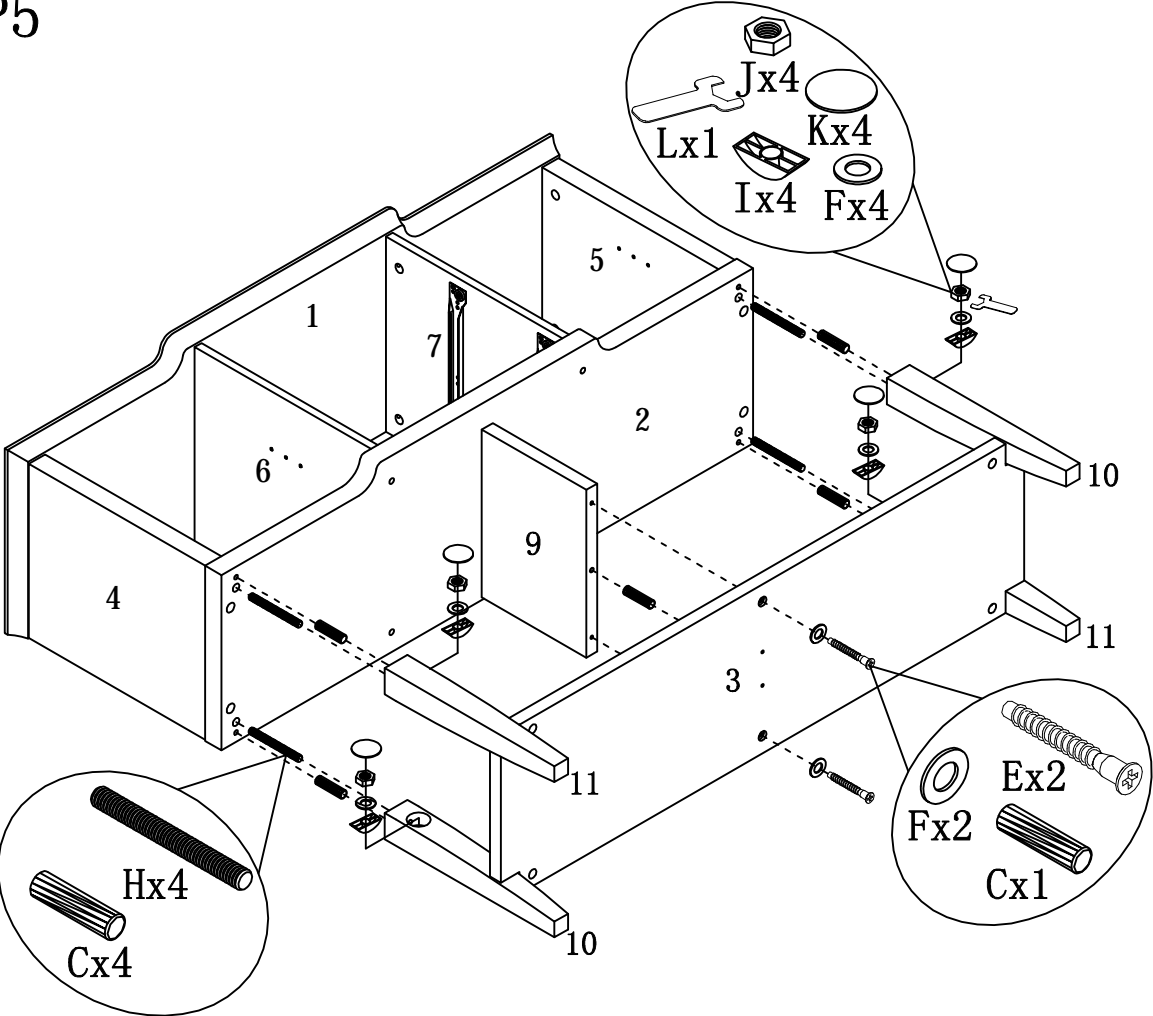
ASSEMBLY INSTRUCTION

ITEM#: 161641



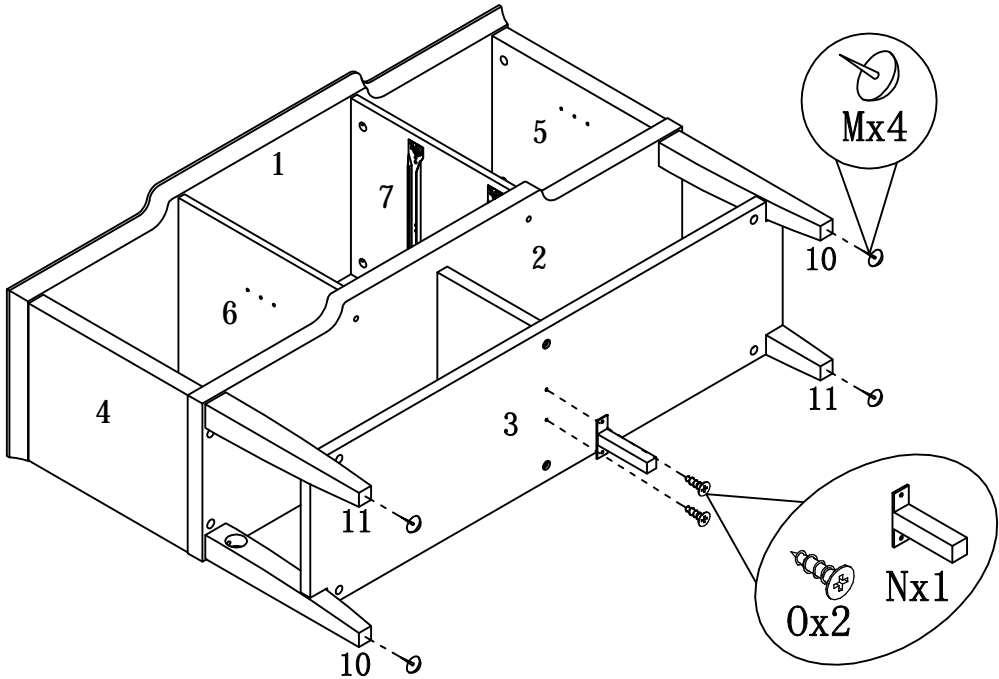
STEP4

STEP5



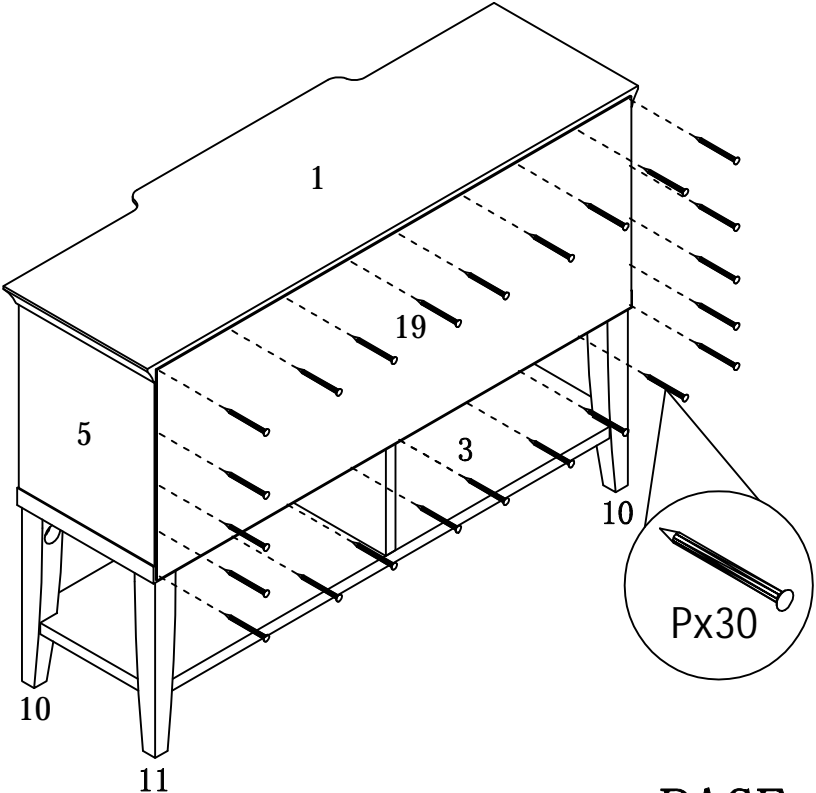
ASSEMBLY INSTRUCTION

ITEM#: 161641



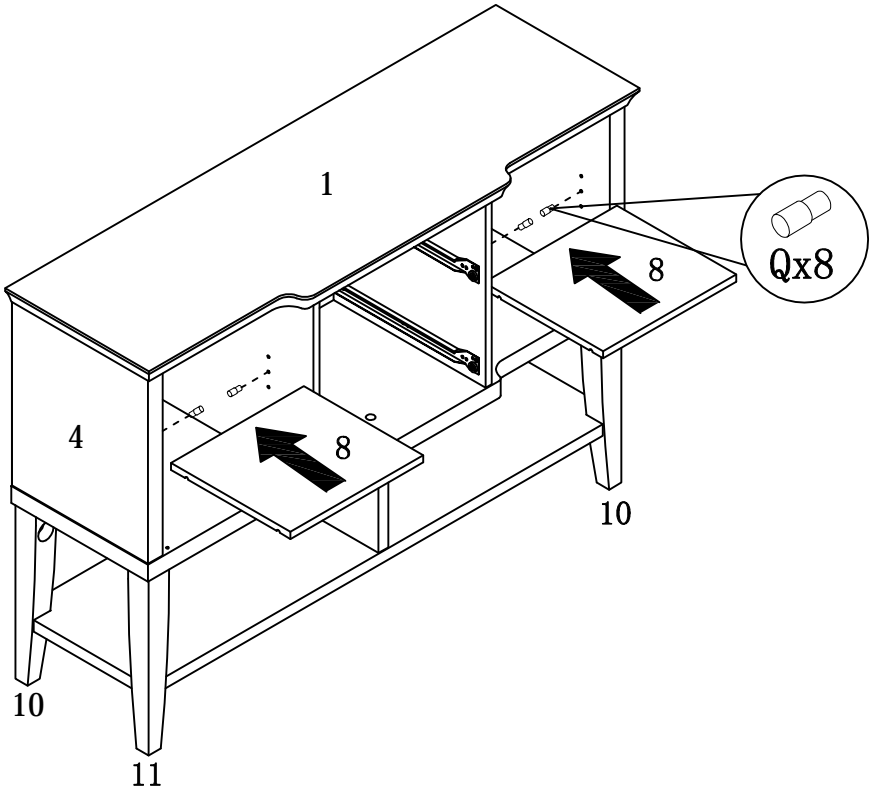
STEP6

STEP7



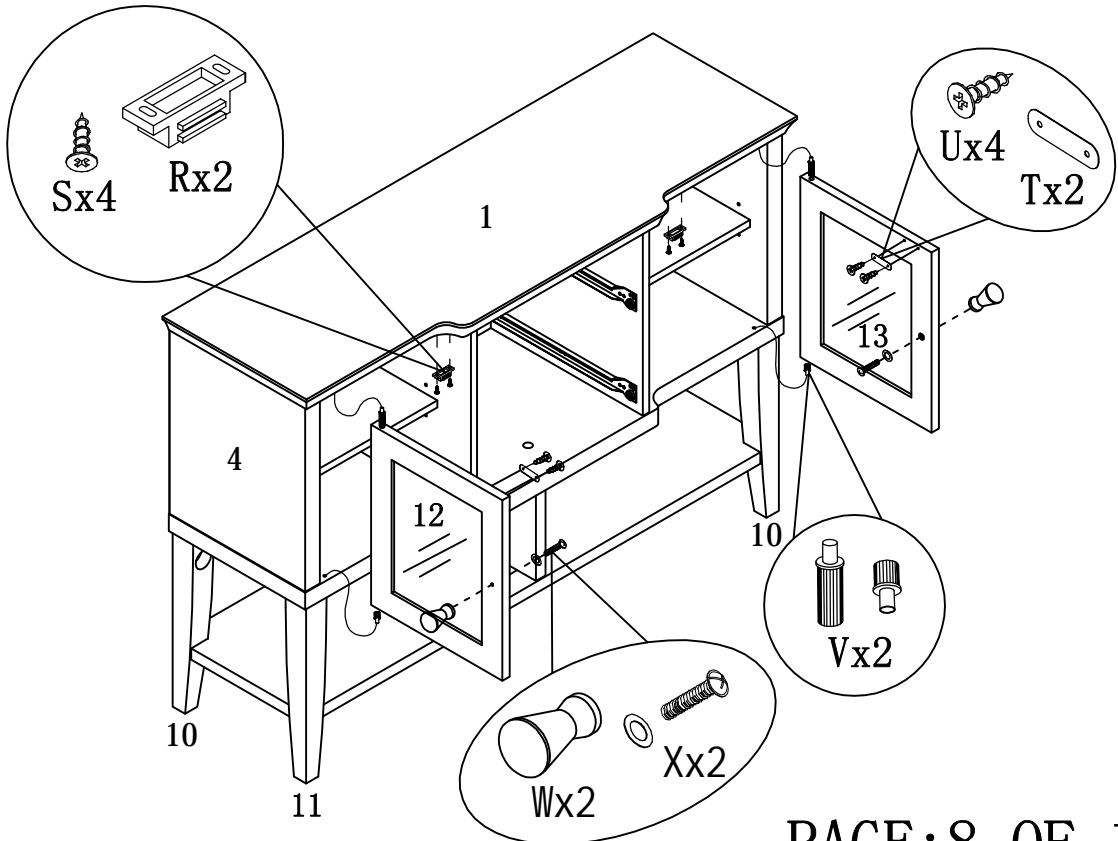
ASSEMBLY INSTRUCTION

ITEM#: 161641



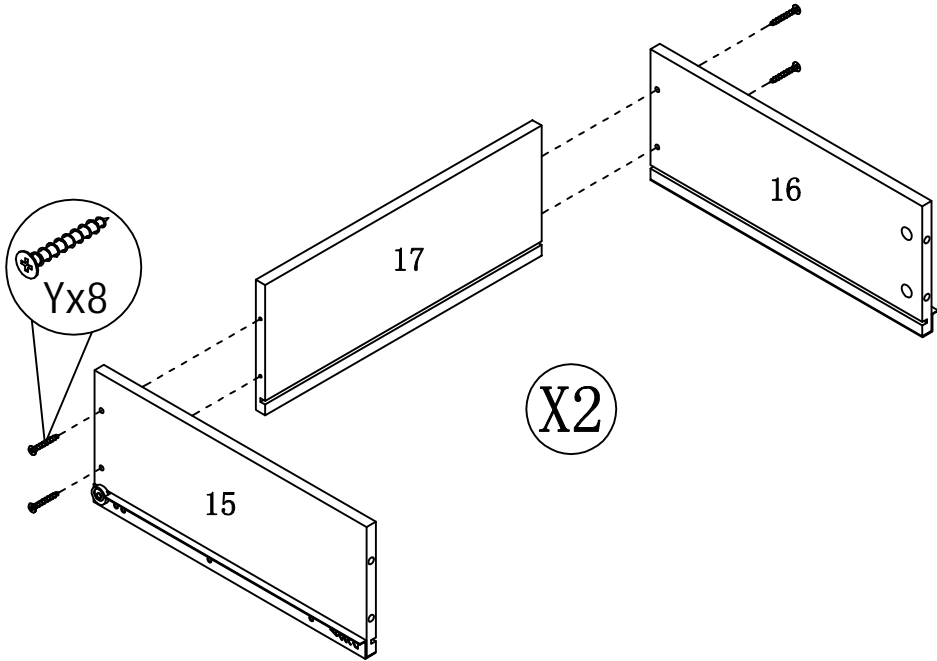
STEP8

STEP9



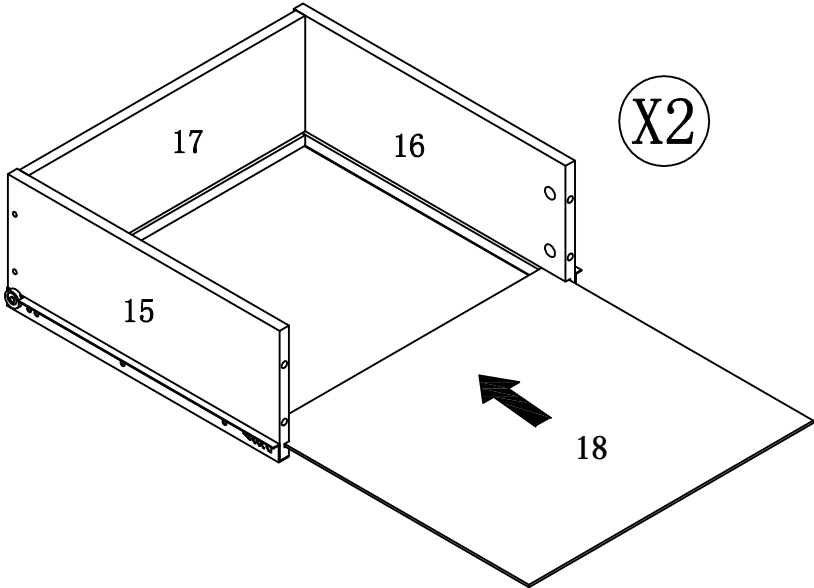
ASSEMBLY INSTRUCTION

ITEM#: 161641



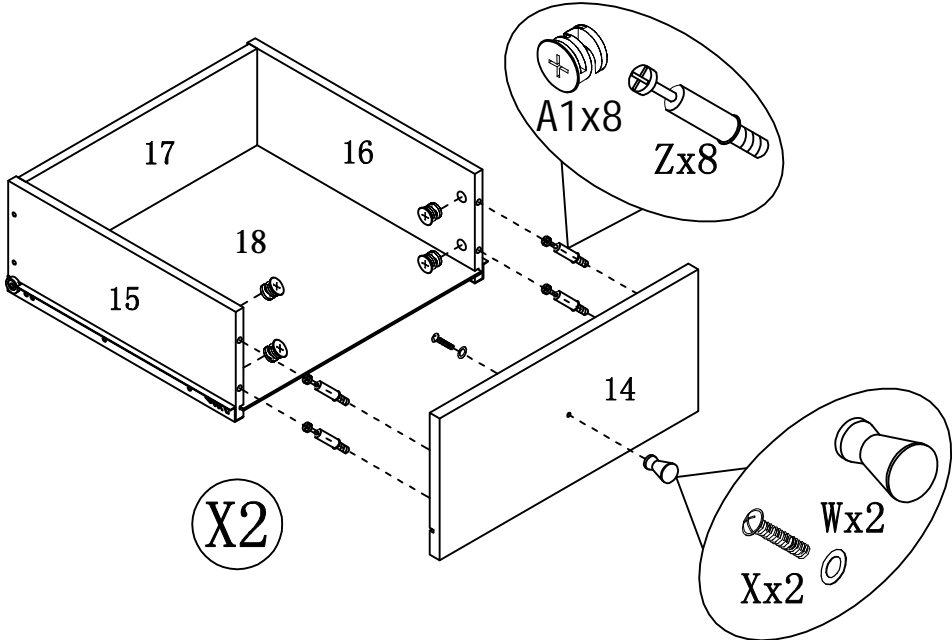
STEP 10

STEP 11



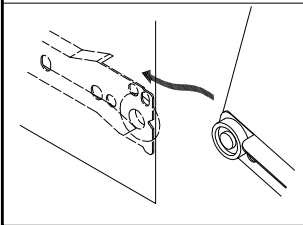
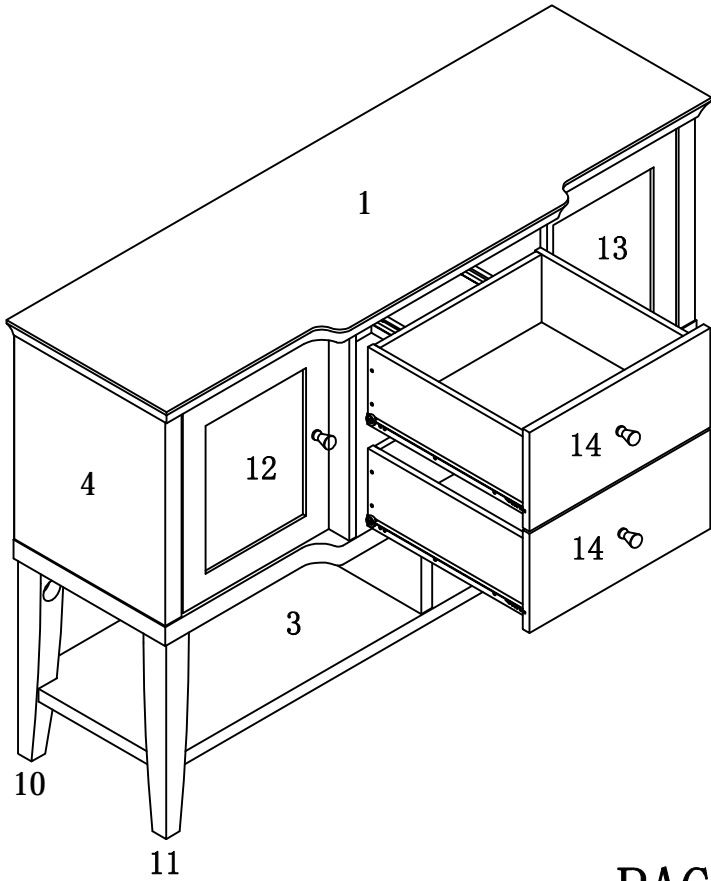
ASSEMBLY INSTRUCTION

ITEM#: 161641



STEP 12

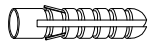
STEP 13



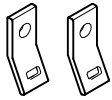
ANTI-TIPPING STRAP INSTRUCTION

HARDWARE (INCLUDED) :

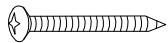
TOOLS NEEDED (NOT INCLUDED) :



DRYWALL ANCHOR $\phi 8 \times 40$ X 1PC



METAL BRACKETS $12 \times 12 \times 1$ X 2PCS



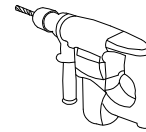
DRYWALL SCREW $\phi 5 \times 40$ X 1PC



STRAP $197 \times 5 \times 1$ X 1PC



FLATHEAD SCREW $\phi 4 \times 25$ X 1PC



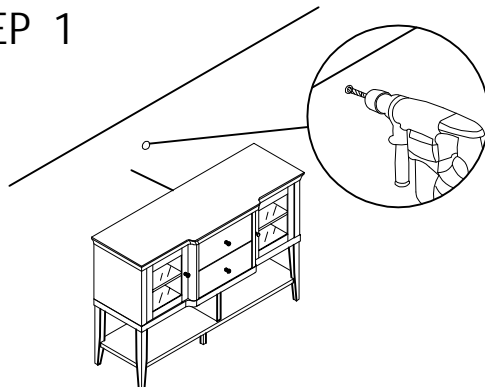
DRILL & DRILL BIT



LIGHT HAMMER

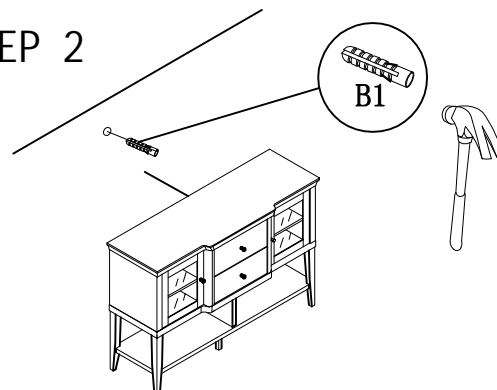
Note: Hardware included only compatible with standard drywalls.

STEP 1



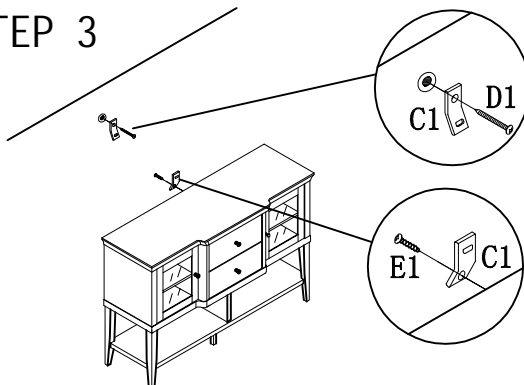
1. Find spot on wall 1" below top of item.
2. Using a drill bit slightly thinner than anchor, drill hole into drywall.

STEP 2



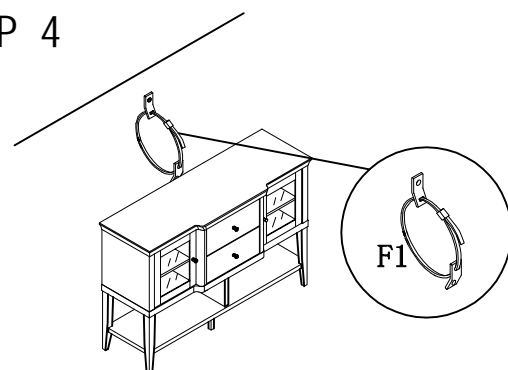
1. Use a light hammer to tap anchor into hole.
2. Anchor should fit snugly. If hole is too small, drill again to increase hole size. Do not force anchor into wall.

STEP 3



1. Insert drywall screw into metal bracket and into drywall anchor.
2. Insert flathead screw into second metal bracket and into back of item along top edge.

STEP 4



1. Insert strap thru bracket attached to wall, then thru bracket on item, and into head of strap.
 2. pull lightly til strap stops.
- Assembly is complete.