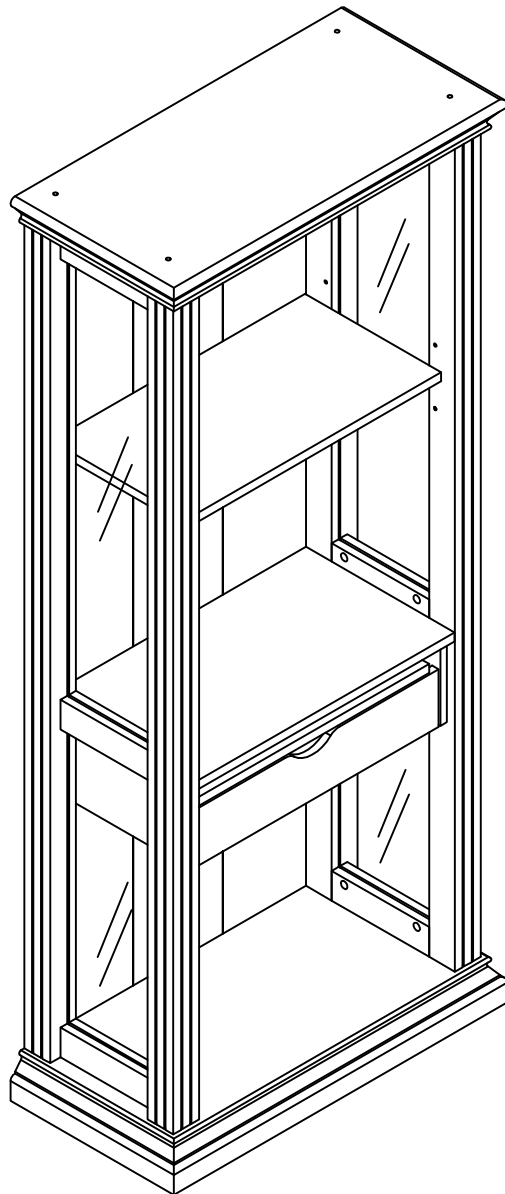


# ASSEMBLY INSTRUCTION

---

ITEM#: 161656



# ASSEMBLY INSTRUCTION

---

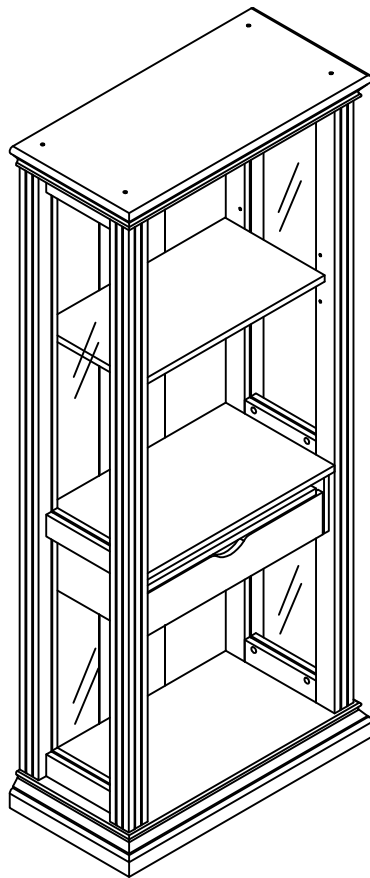
## PLEASE READ BEFORE ASSEMBLING!

Tip #1: Make sure you've taken all the pieces and hardware out of its packaging before discarding the box. Assembly on top of flattened box/blanket is recommended.

Tip #2: Using page 2 and/or page 3 of instruction manual make sure all pieces and hardware are accounted for.

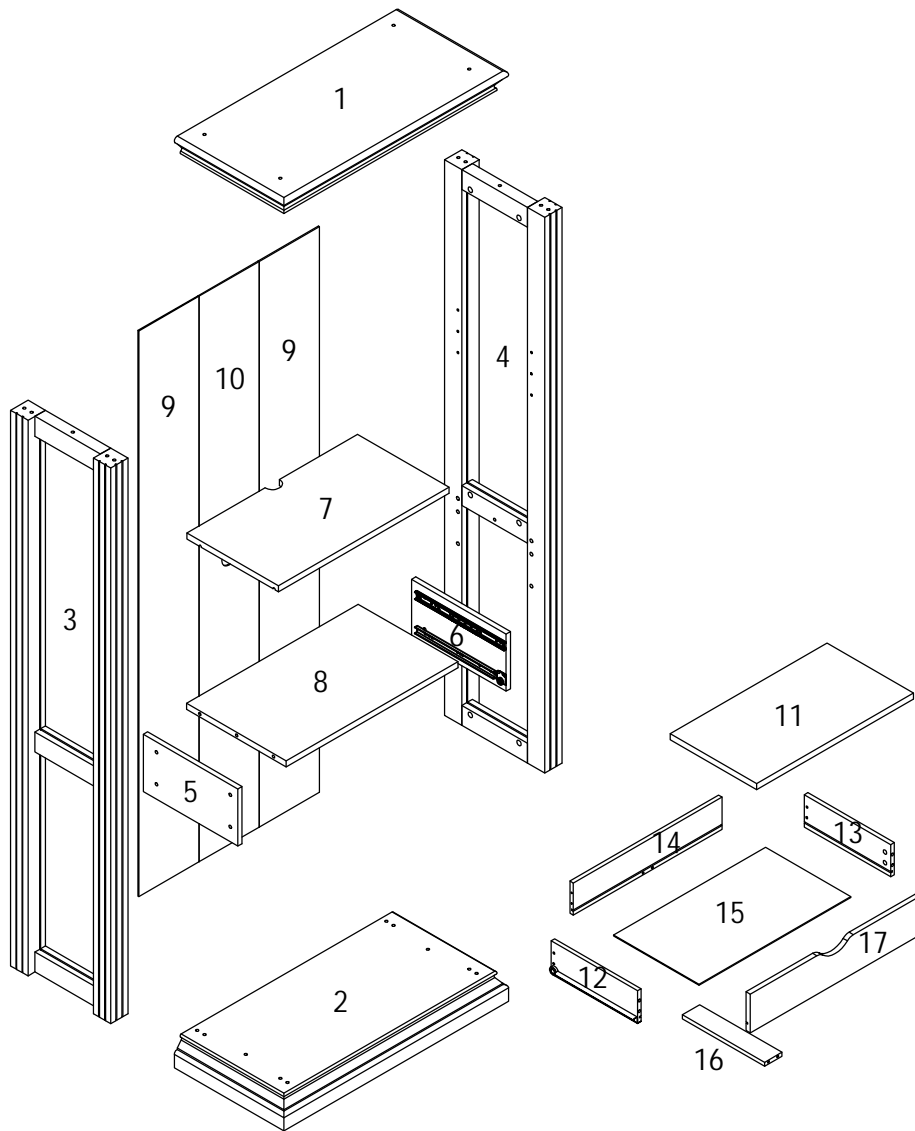
Tip #3: Note position of all holes on each panel during assembly.

ITEM#: 161656



# PARTS IDENTIFICATION



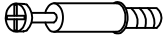



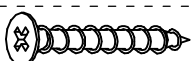


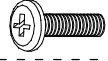





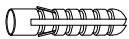


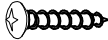
ITEM#: 161656



|     |     |      |      |      |     |
|-----|-----|------|------|------|-----|
| (1) | 1pc | (7)  | 1pc  | (13) | 1pc |
| (2) | 1pc | (8)  | 1pc  | (14) | 1pc |
| (3) | 1pc | (9)  | 2pcs | (15) | 1pc |
| (4) | 1pc | (10) | 1pc  | (16) | 1pc |
| (5) | 1pc | (11) | 1pc  | (17) | 1pc |
| (6) | 1pc | (12) | 1pc  |      |     |

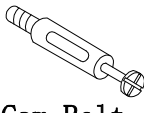
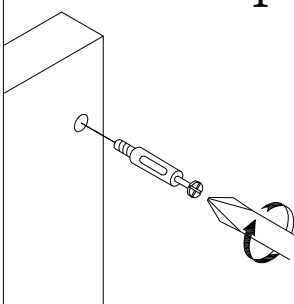
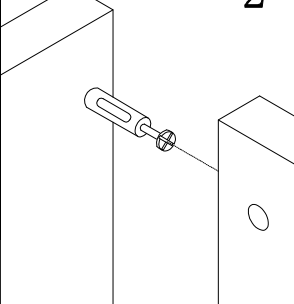
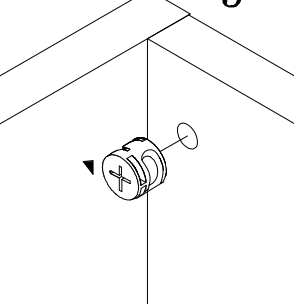
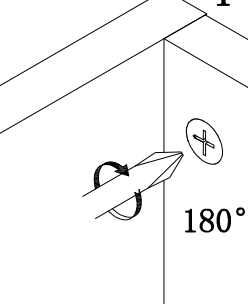
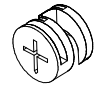
# HARDWARE IDENTIFICATION

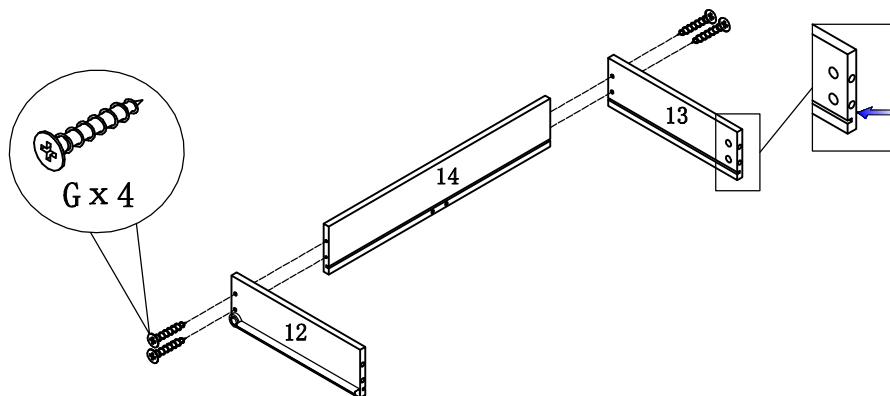
ITEM#: 161656

|   |   |  |       |
|---|---|--|-------|
| A |    | L29  | 4pcs  |
| B |    | ø15  | 4pcs  |
| C |    | L20  | 4pcs  |
| D |    | ø12  | 4pcs  |
| E |    | ø8 × 25  | 14pcs |
| F |    | ø6 × 30  | 2pcs  |
| G |    | ø4 x 30  | 6pcs  |
| H |    | ø7 x 48  | 8pcs  |
| I |    | ø8xø16x2   | 8pcs  |
| J |   | M6 x 20  | 8pcs  |
| K |  | ø5 x 15  | 4pcs  |
| L |  | Z1016  | 46pcs |
| M |  | Glue: For securing please apply to wood<br>dowel first before inserting into panel | 1pc   |
| N |  | ø16  | 4pcs  |
| O |  | 197x5x1  | 1pc   |
| P |  | ø8x40  | 1pc   |
| Q |  | 12x12x1  | 2pcs  |
| R |  | ø5x40  | 1pc   |
| S |  | ø4x25  | 1pc   |

# ASSEMBLY INSTRUCTION

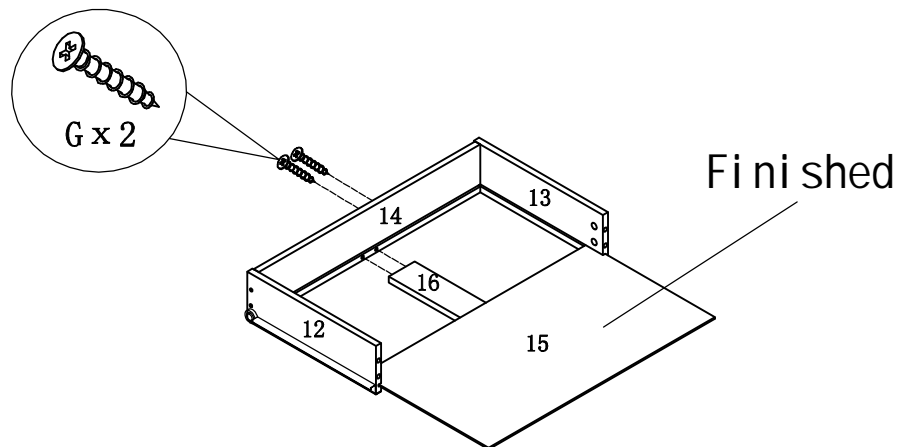
ITEM#: 161656

| HOW TO  | 1   | 2   | 3  | 4   |
|---|---|---|--|---|
| <br>Cam Bolt |  |  |  |  |
| <br>Cam Lock | 1. Screw Cam Bolt into panel.   | 2. Insert Cam Bolt into bolt hole of joining panel.                               | 3. Insert Cam Lock. arrow facing bolt.   | 4. Gently turn Cam Lock clockwise to lock position.                                 |



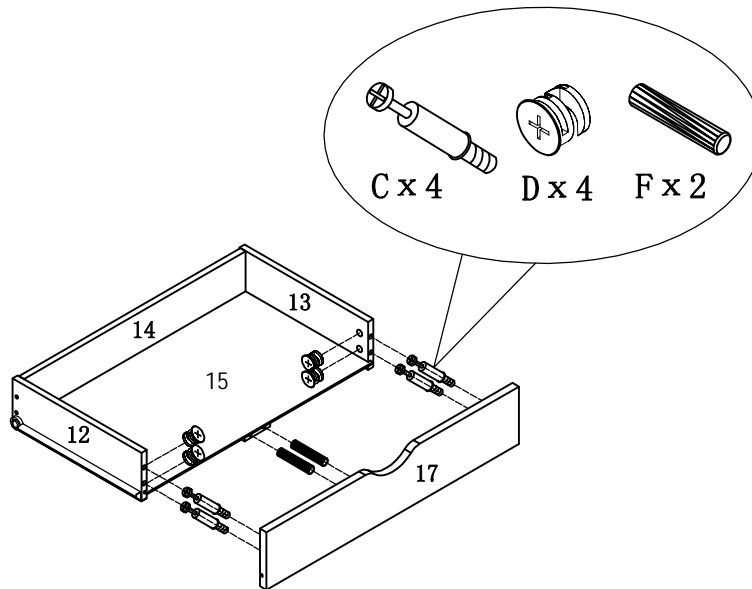
STEP 1

STEP 2



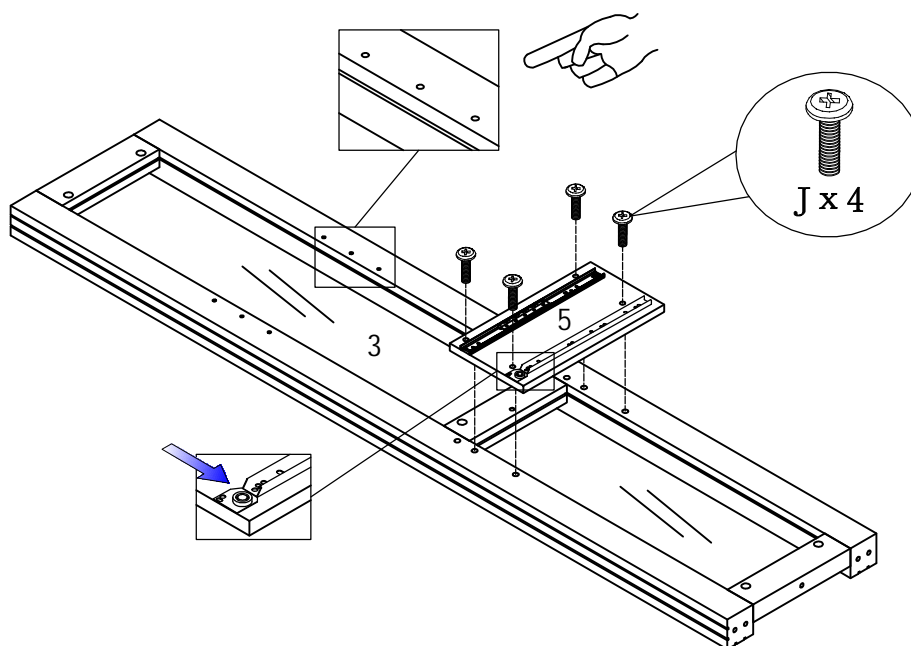
# ASSEMBLY INSTRUCTION

ITEM#: 161656



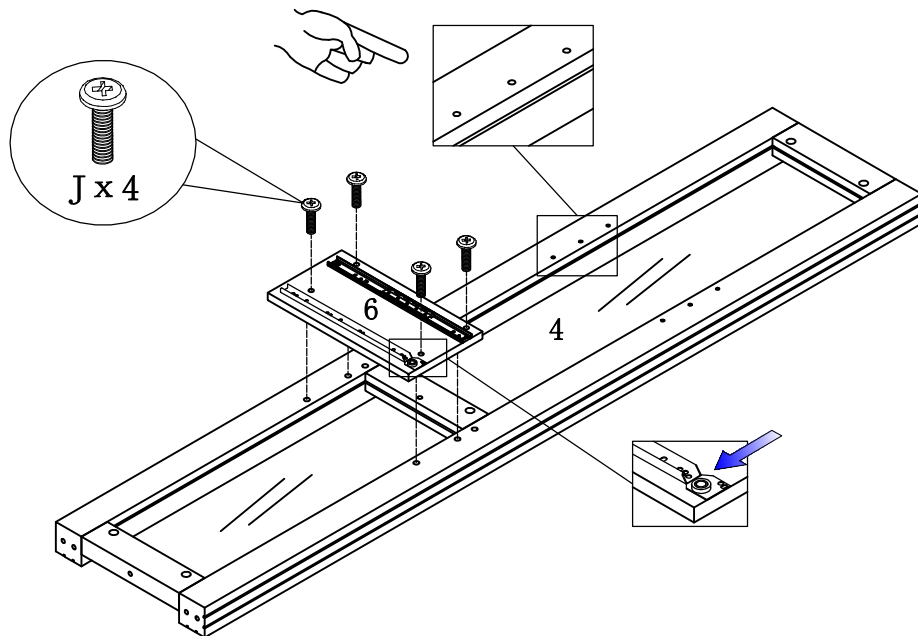
STEP 3

STEP 4



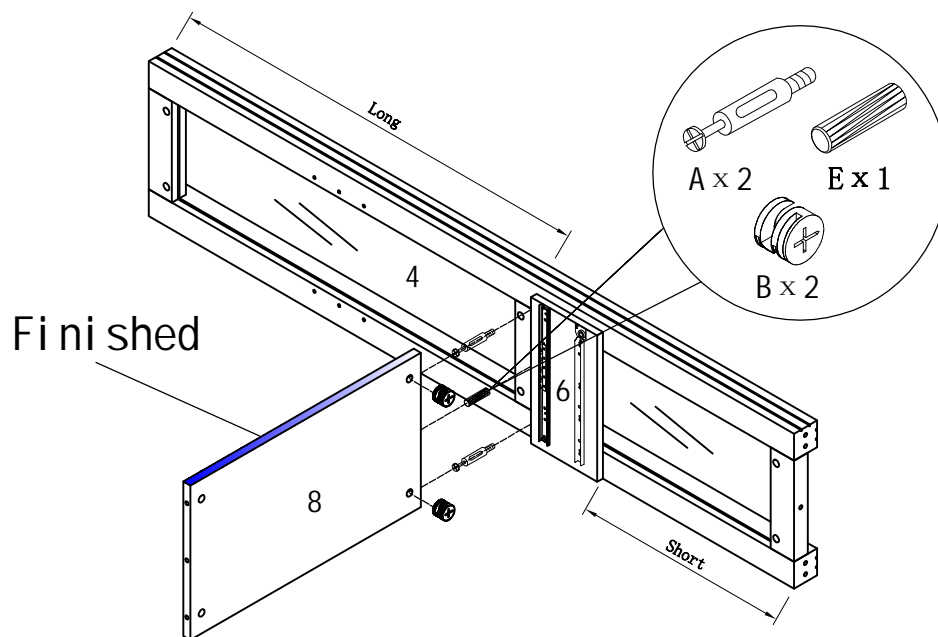
# ASSEMBLY INSTRUCTION

ITEM#: 161656



STEP5

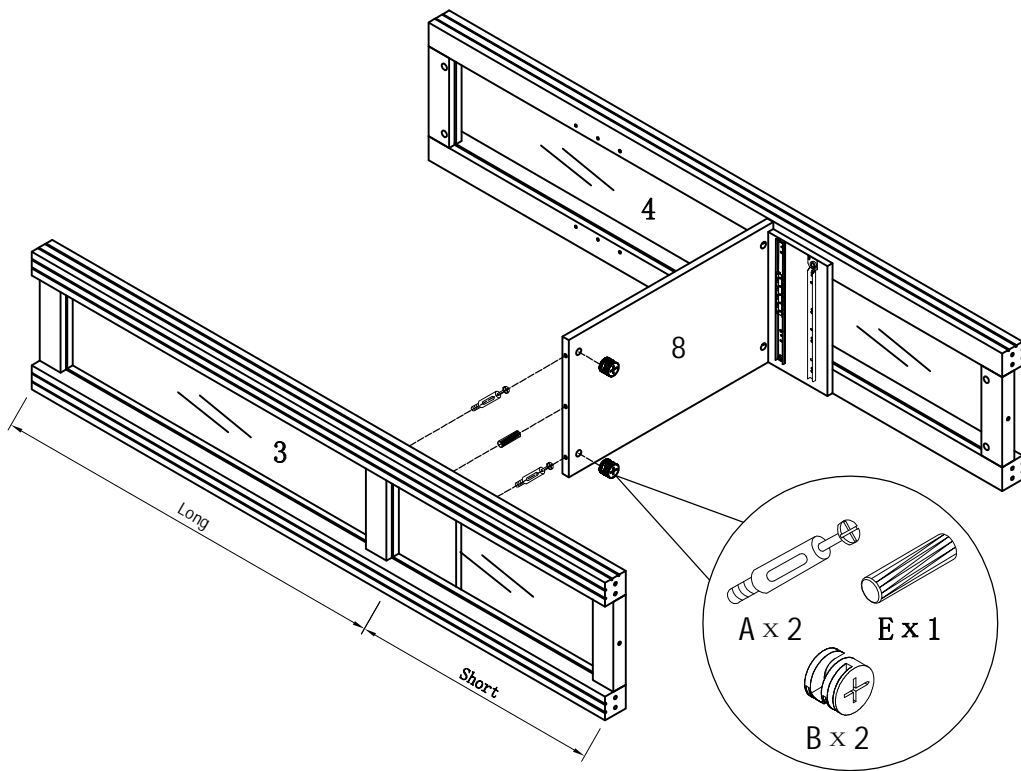
STEP6



# ASSEMBLY INSTRUCTION

ITEM#: 161656

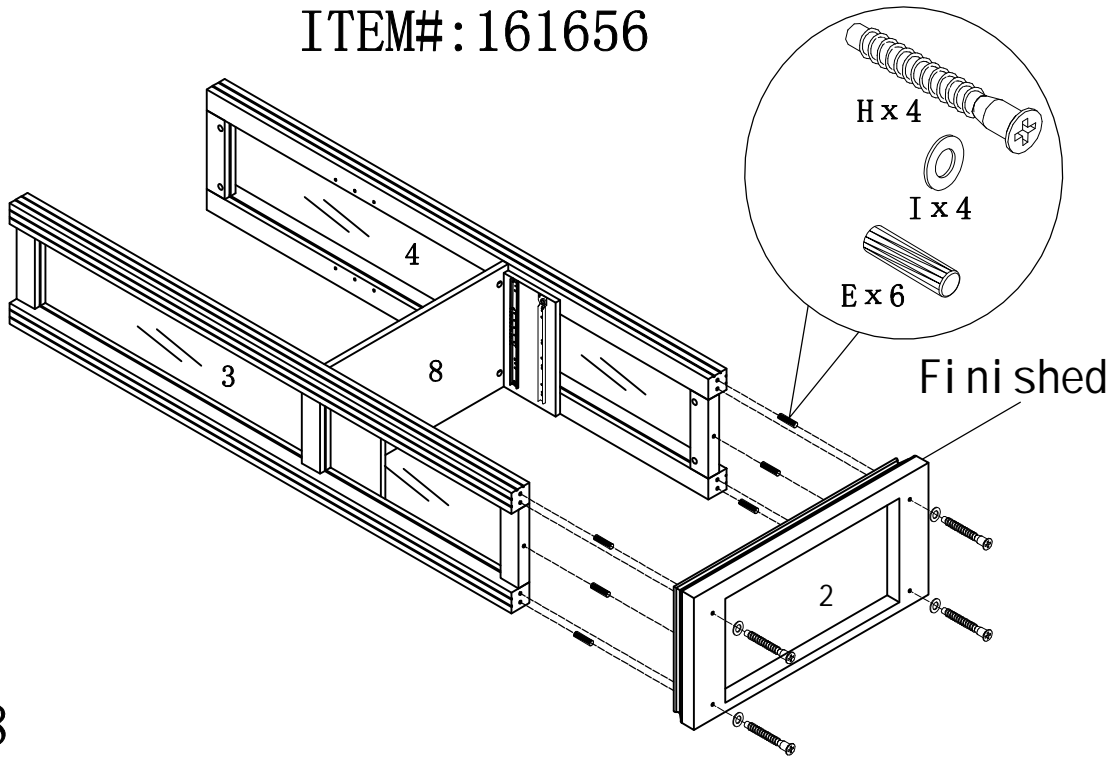
## STEP 7





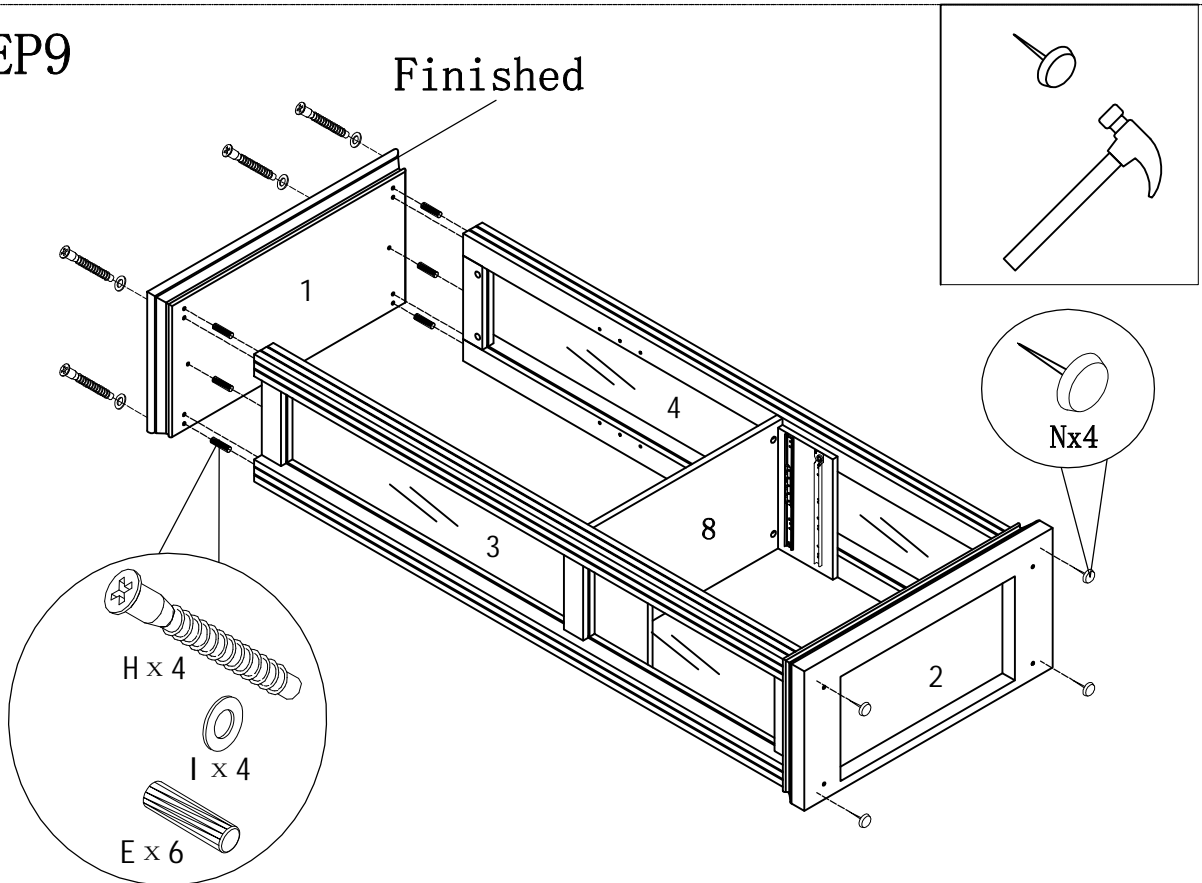
# ASSEMBLY INSTRUCTION

ITEM#: 161656



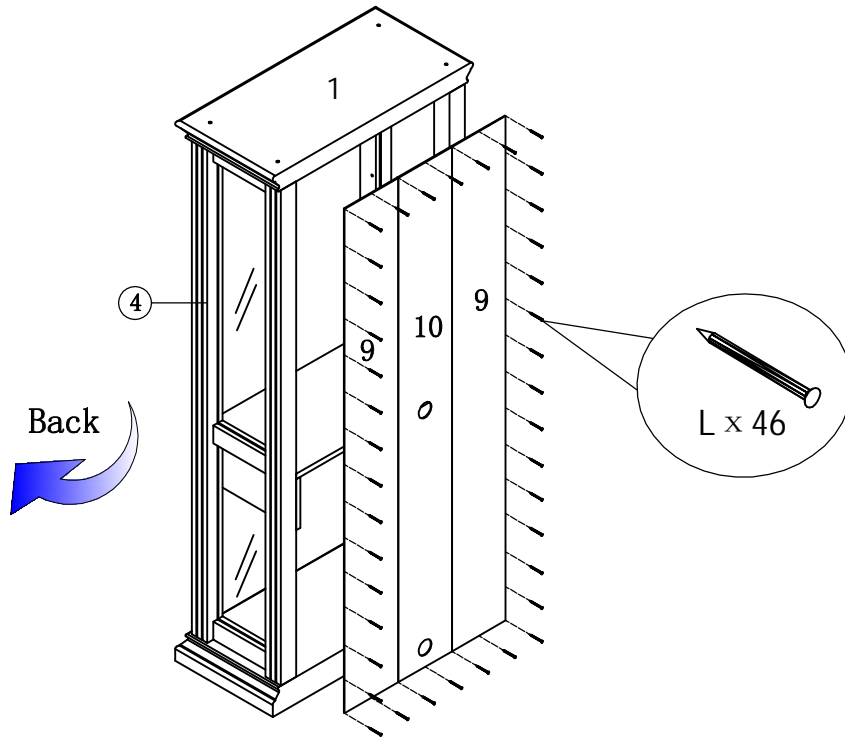
STEP 8

STEP 9



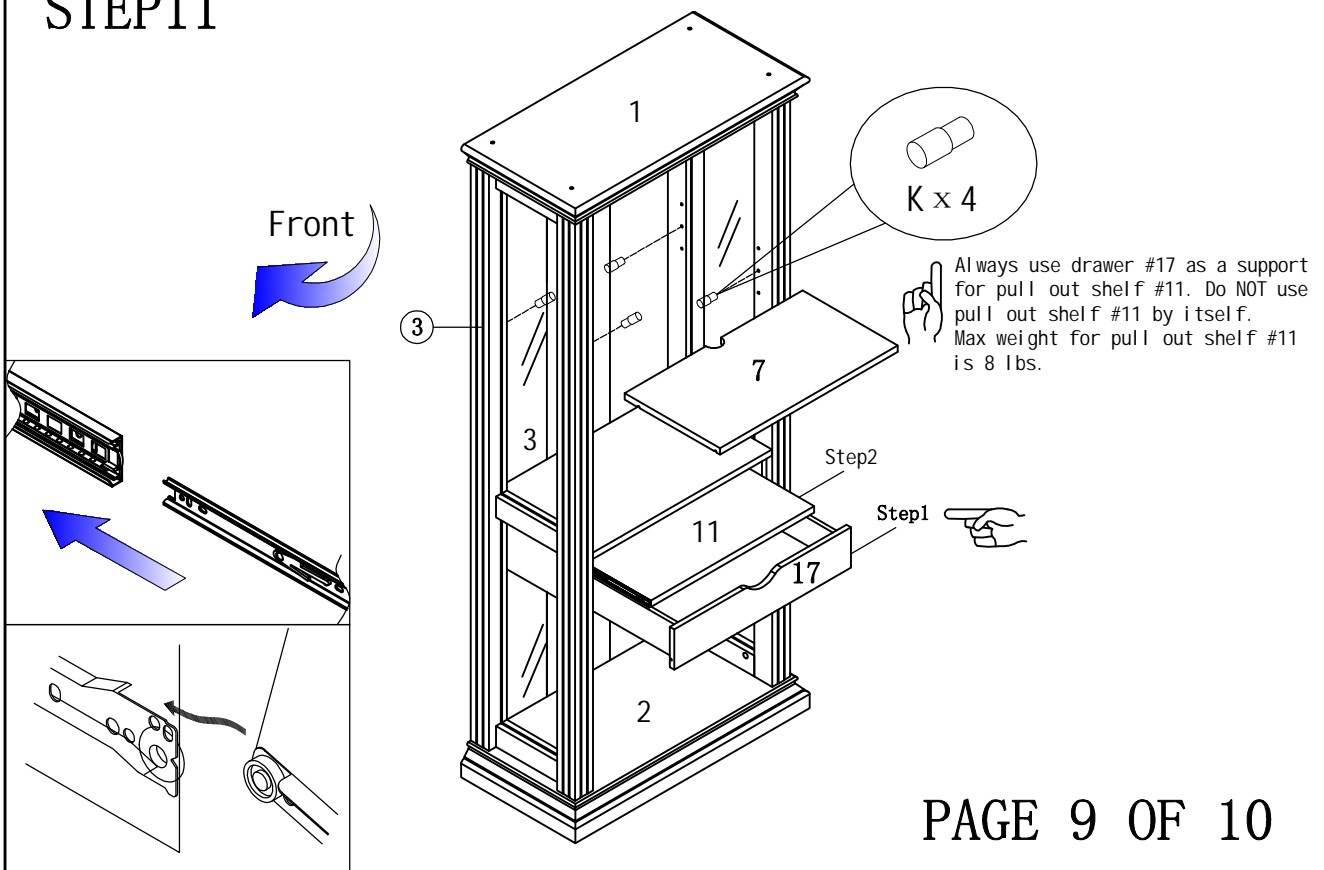
# ASSEMBLY INSTRUCTION

ITEM#: 161656



STEP 10

STEP 11

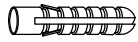


PAGE 9 OF 10

# ANTI-TIPPING STRAP INSTRUCTION

## HARDWARE (INCLUDED) :

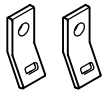
## TOOLS NEEDED ( NOT INCLUDED) :



DRYWALL ANCHOR  $\phi 8 \times 40$  X 1PC



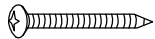
DRILL & DRILL BIT



METAL BRACKETS  $12 \times 12 \times 1$  X 2PCS



LIGHT HAMMER



DRYWALL SCREW  $\phi 5 \times 40$  X 1PC



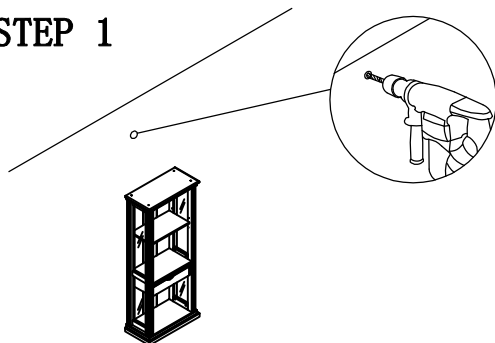
STRAP  $197 \times 5 \times 1$  X 1PC



FLATHEAD SCREW  $\phi 4 \times 25$  X 1PC

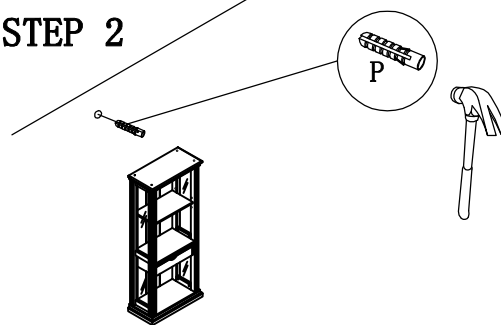
Note: Hardware included only compatible with standard drywalls.

### STEP 1



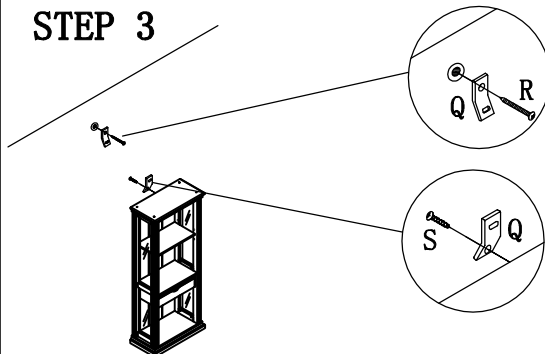
1. Find spot on wall 1" below top of item.
2. Using a drill bit slightly thinner than anchor, drill hole into drywall.

### STEP 2



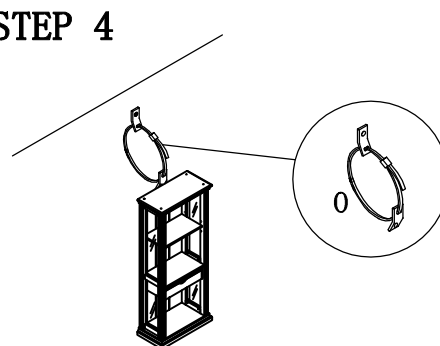
1. Use a light hammer to tap anchor into hole.
2. Anchor should fit snugly. If hole is too small, drill again to increase hole size. Do not force anchor into wall.

### STEP 3



1. Insert drywall screw into metal bracket and into drywall anchor.
2. Insert flathead screw into second metal bracket and into back of item, along top edge.

### STEP 4



1. Insert strap thru bracket attached to wall, then thru bracket on item, and into head of strap.
  2. pull lightly til strap stops.
- Assembly is complete.