

ASSEMBLY INSTRUCTION

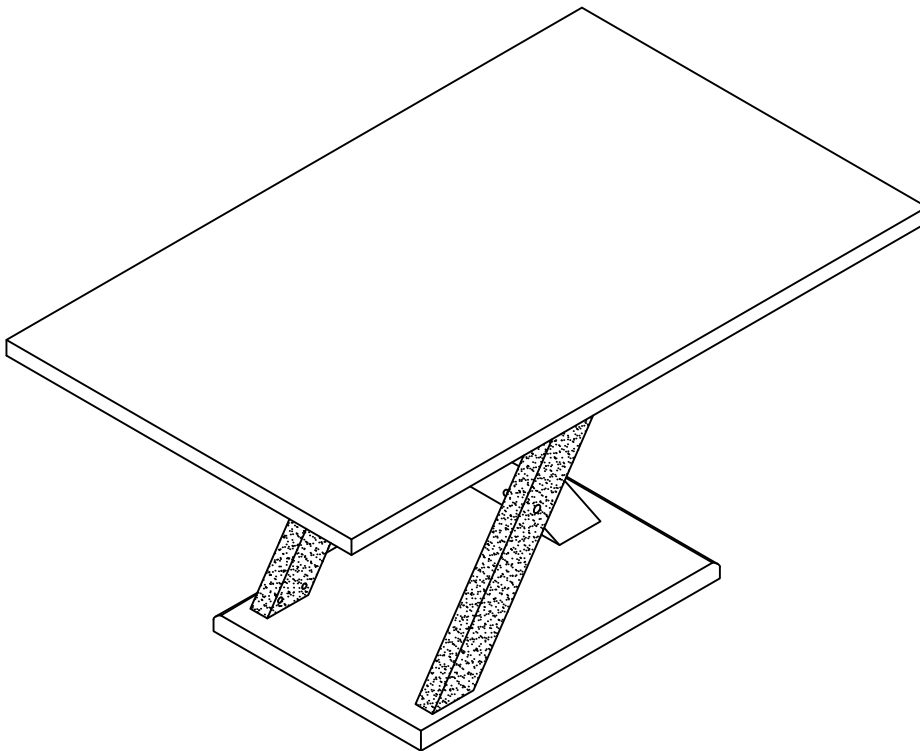
PLEASE READ BEFORE ASSEMBLING!

Tip #1: Make sure you've taken all the pieces and hardware out of its packaging before discarding the box.

Tip #2: Using page 2 and/or page 3 of instruction manual make sure all pieces and hardware are accounted for.

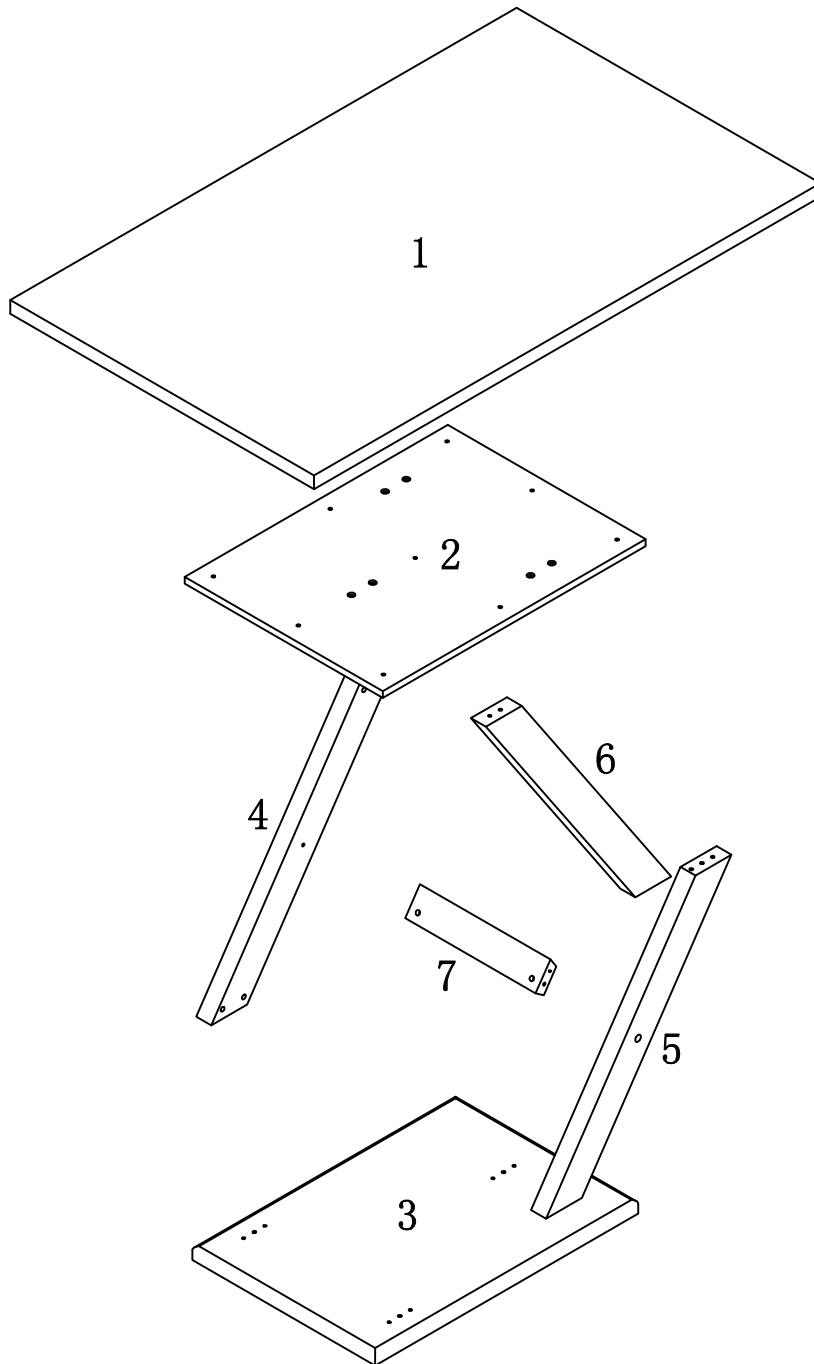
Tip #3: Read manual before assembling, it helps!

ITEM#: 161685



PARTS IDENTIFICATION




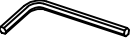

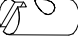
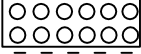





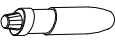
ITEM#: 161685



(1)	1pc	(5)	1pc
(2)	1pc	(6)	1pc
(3)	1pc	(7)	1pc
(4)	1pc		

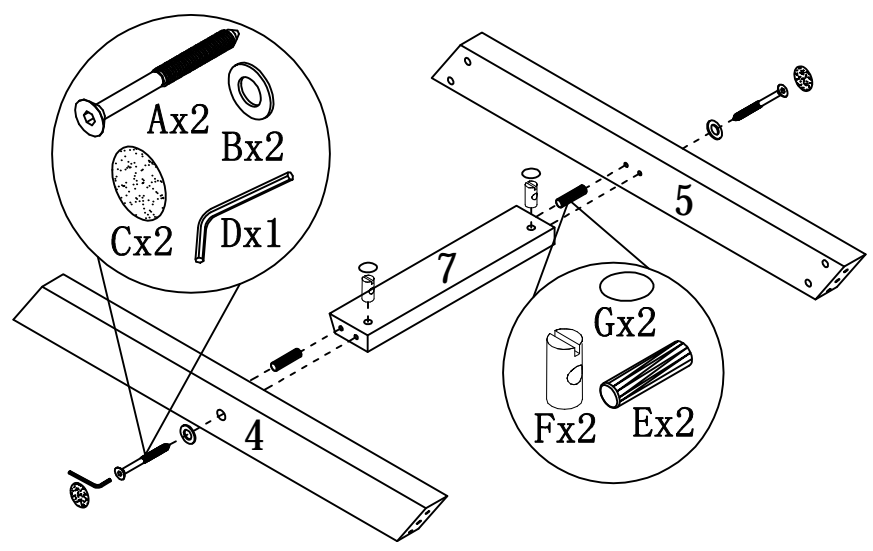
HARDWARE IDENTIFICATION

ITEM#: 161685

A		M6 x 65	8pcs
B		$\phi 8 \times \phi 16 \times 2$	21pcs
C		$\phi 22$	2pcs
D		M4	1pc
E		$\phi 8 \times 25$	11pcs
F		$\phi 10 \times 15$	14pcs
G		$\phi 13$	6pcs
H		$\phi 13$	8pcs
I		M6 x 55	6pcs
J		$\phi 16$	4pcs
K		M6 x 30	7pcs
L		M6	7pcs
M		<p>Glue: For securing please apply to wood dowel first before inserting into panel</p>	1pc

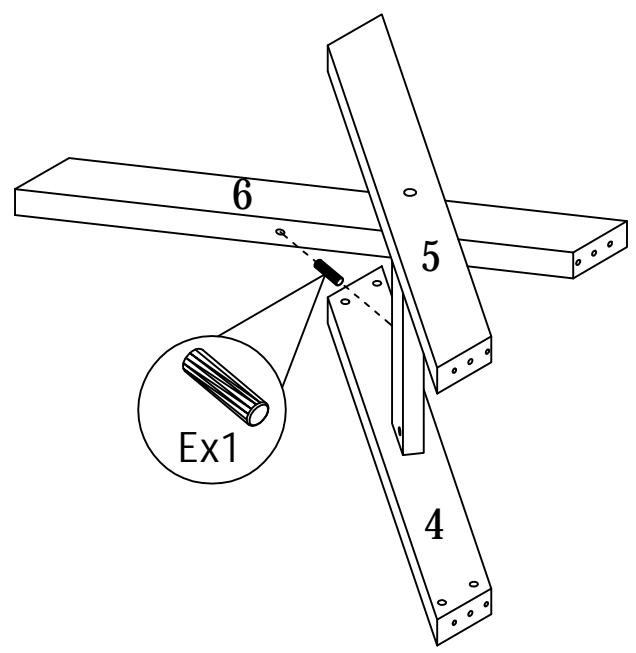
ASSEMBLY INSTRUCTION

ITEM#: 161685



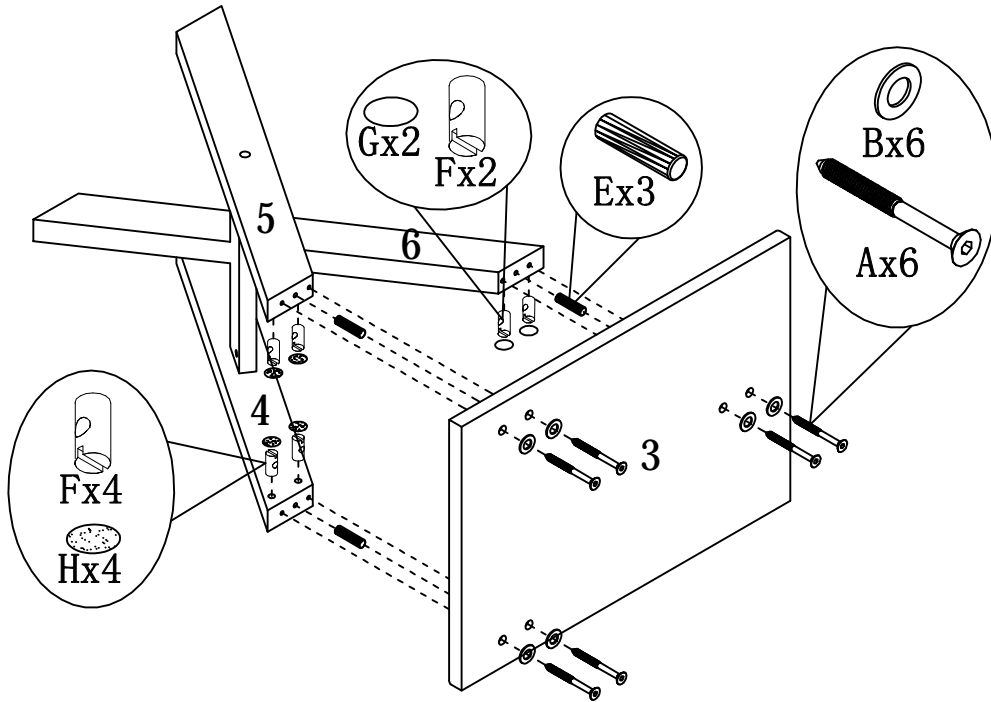
STEP 1

STEP 2



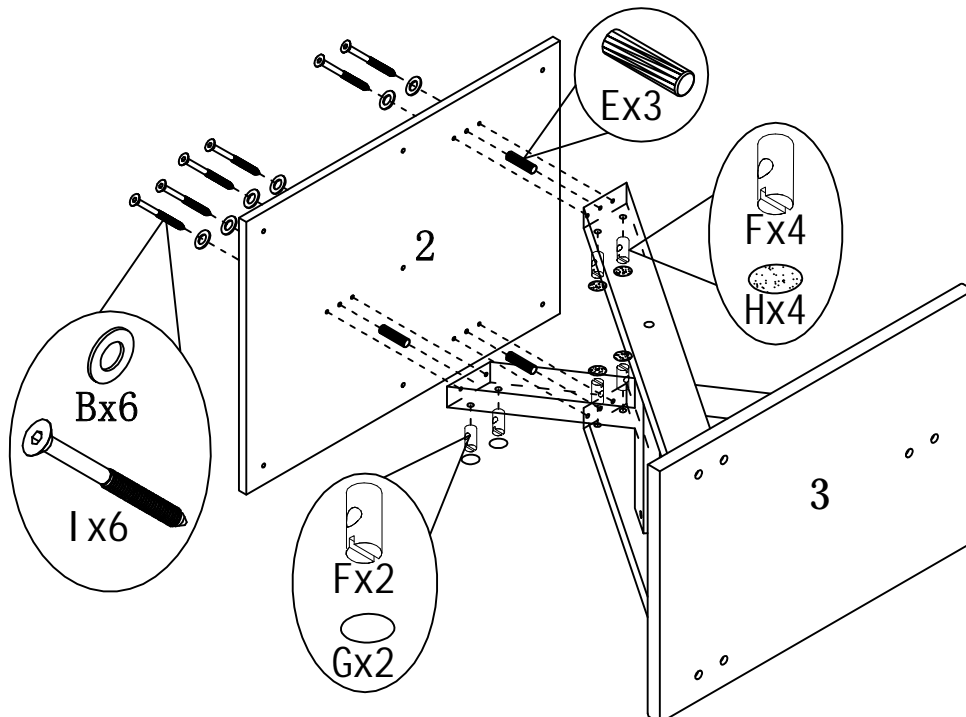
ASSEMBLY INSTRUCTION

ITEM#: 161685



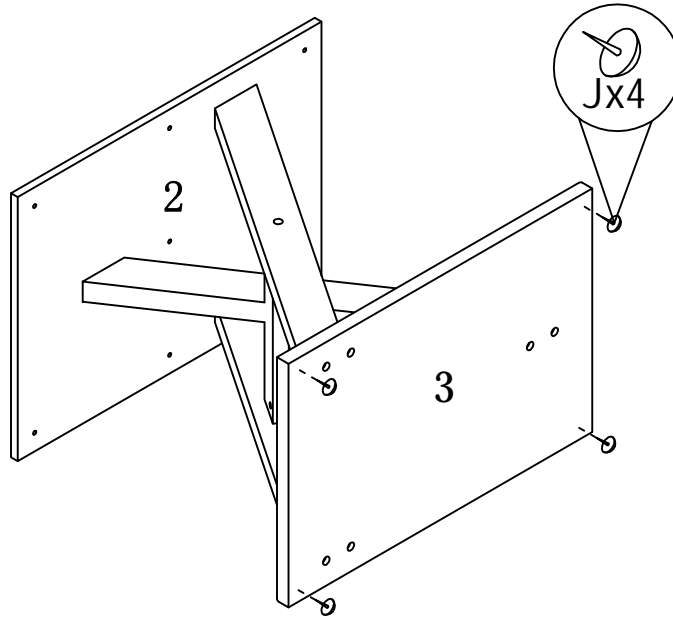
STEP3

STEP4



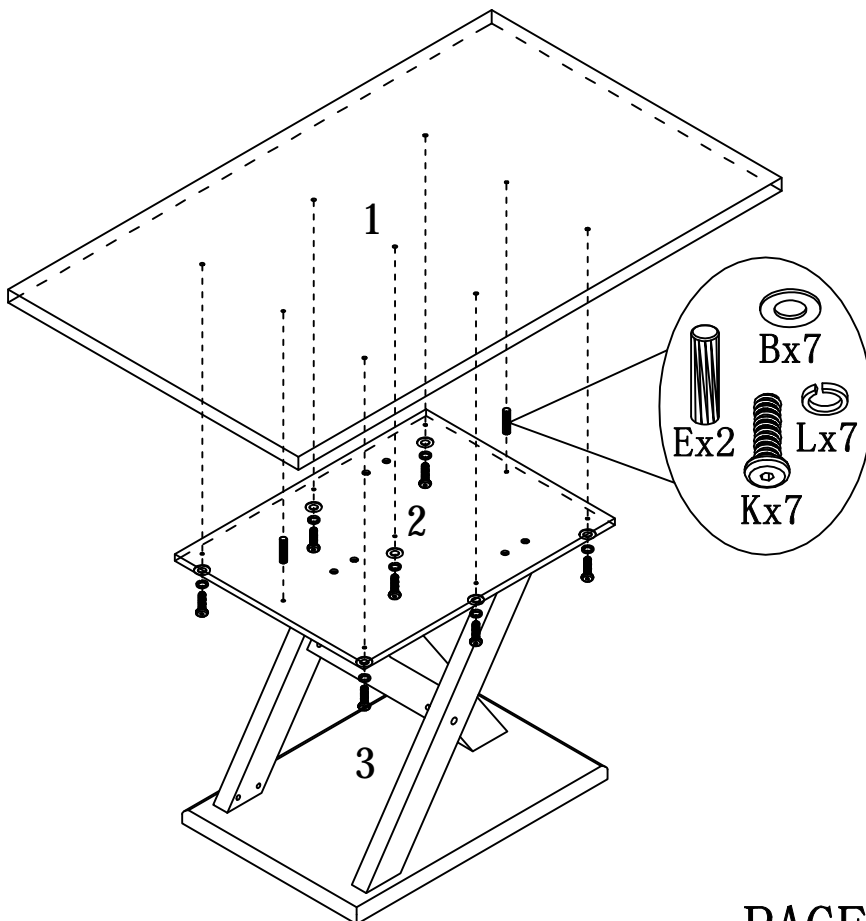
ASSEMBLY INSTRUCTION

ITEM#:161685



STEP5

STEP6



PAGE:6 OF 6