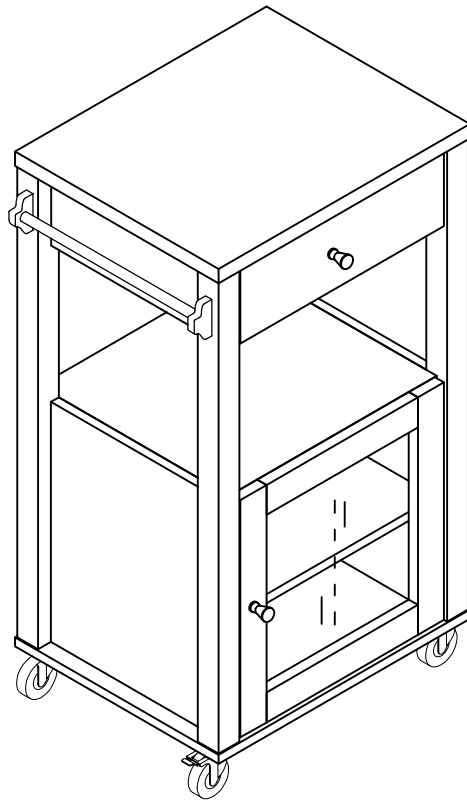


ASSEMBLY INSTRUCTION

ITEM#: 161714



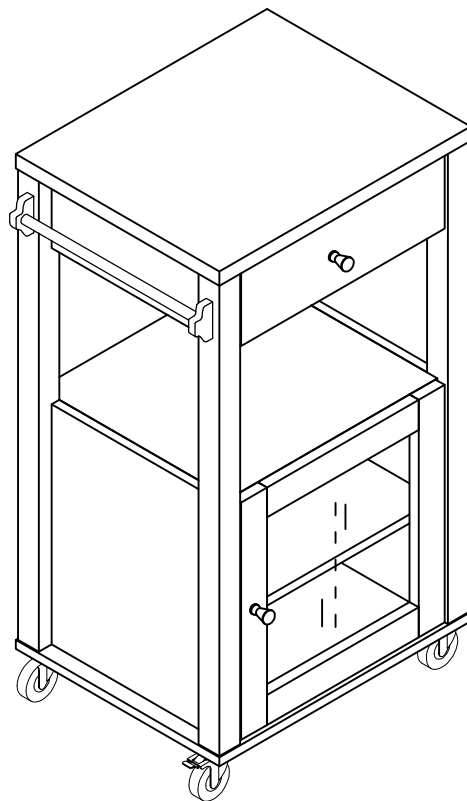
ASSEMBLY INSTRUCTION

PLEASE READ BEFORE ASSEMBLING!

Tip #1: Make sure you've taken all the pieces and hardware out of its packaging before discarding the box.

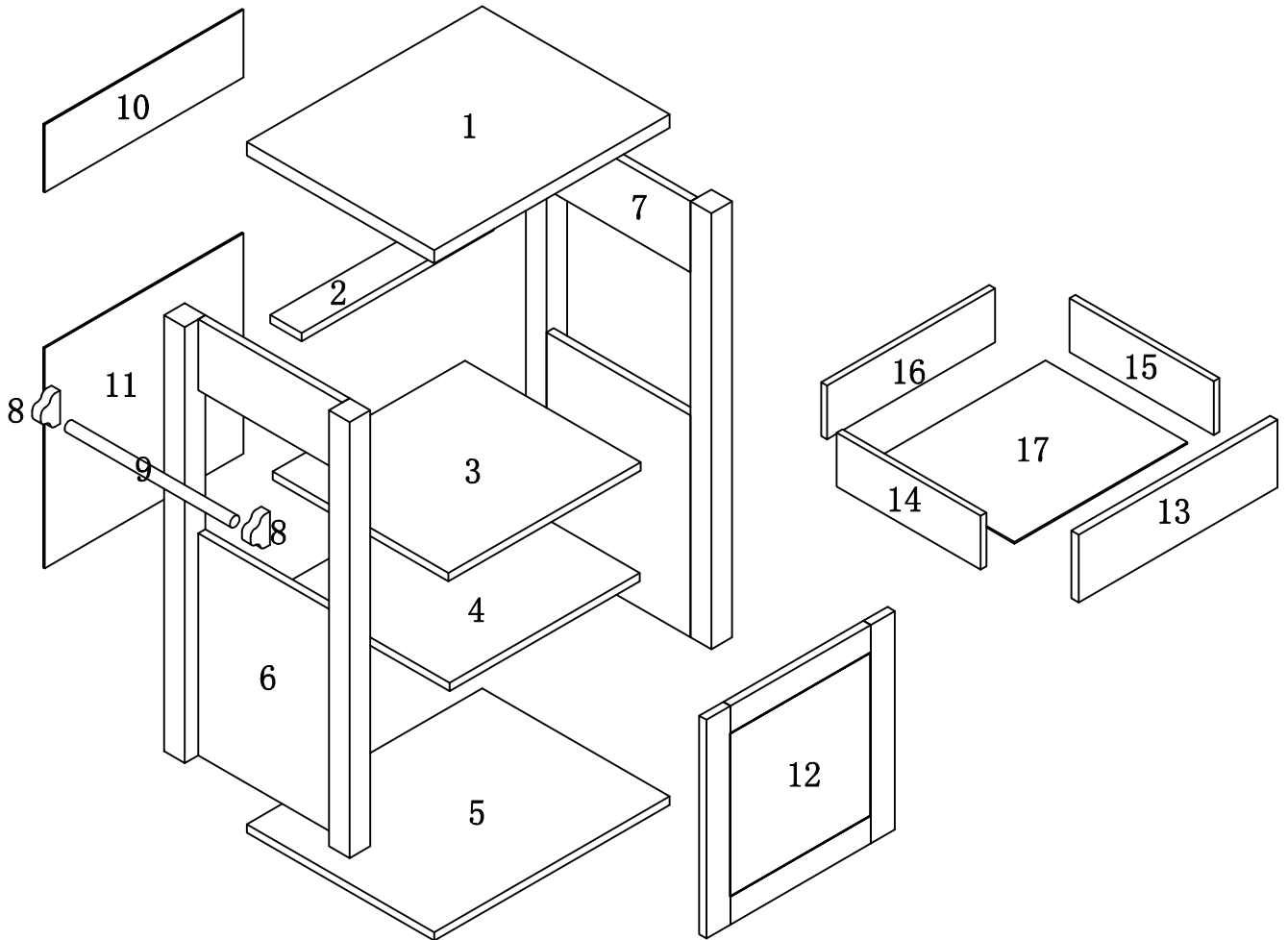
Tip #2: Using page 2 and/or page 3 of instruction manual make sure all pieces and hardware are accounted for.

ITEM#: 161714



PARTS IDENTIFICATION

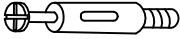

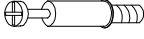


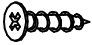
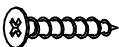

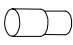





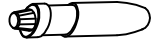
ITEM#: 161714



(1)	1pc	(8)	2pcs	(15)	1pc
(2)	1pc	(9)	1pc	(16)	1pc
(3)	1pc	(10)	1pc	(17)	1pc
(4)	1pc	(11)	1pc		
(5)	1pc	(12)	1pc		
(6)	1pc	(13)	1pc		
(7)	1pc	(14)	1pc		

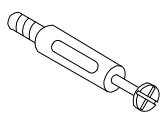

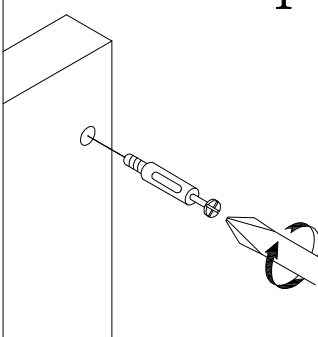
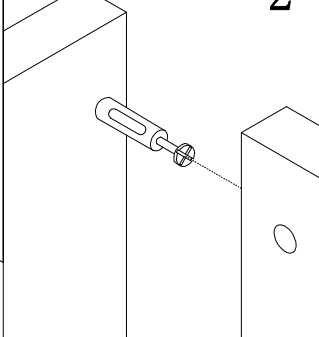
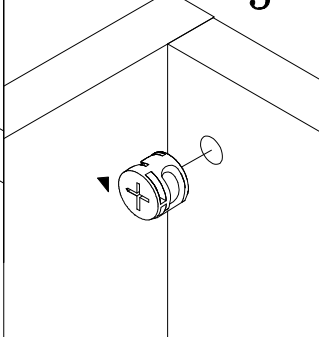
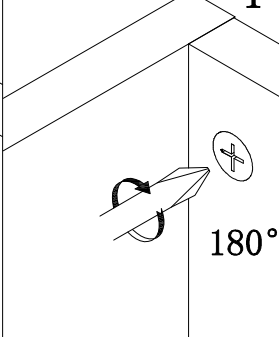
HARDWARE IDENTIFICATION

ITEM#: 161714

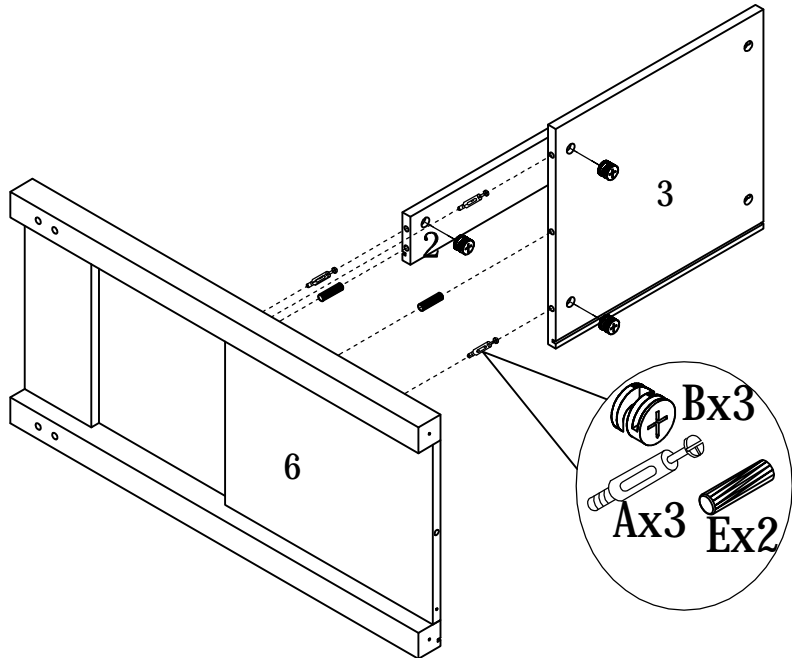
A		L29	10pcs
B		Ø15	10pcs
C		L20	4pcs
D		Ø12	4pcs
E		Ø8x25	16pcs
F		Ø4x30	12pcs
G		Ø4x40	4pcs
H		Ø4x16	28pcs
I		Ø5x15	4pcs
J			2pcs
K		M4x22	2pcs
L		H65	2pcs
M		H65	2pcs
N		Ø26	2pcs
O		Glue: For securing please apply to wood dowel first before inserting into panel	1pc

ASSEMBLY INSTRUCTION

ITEM#: 161714

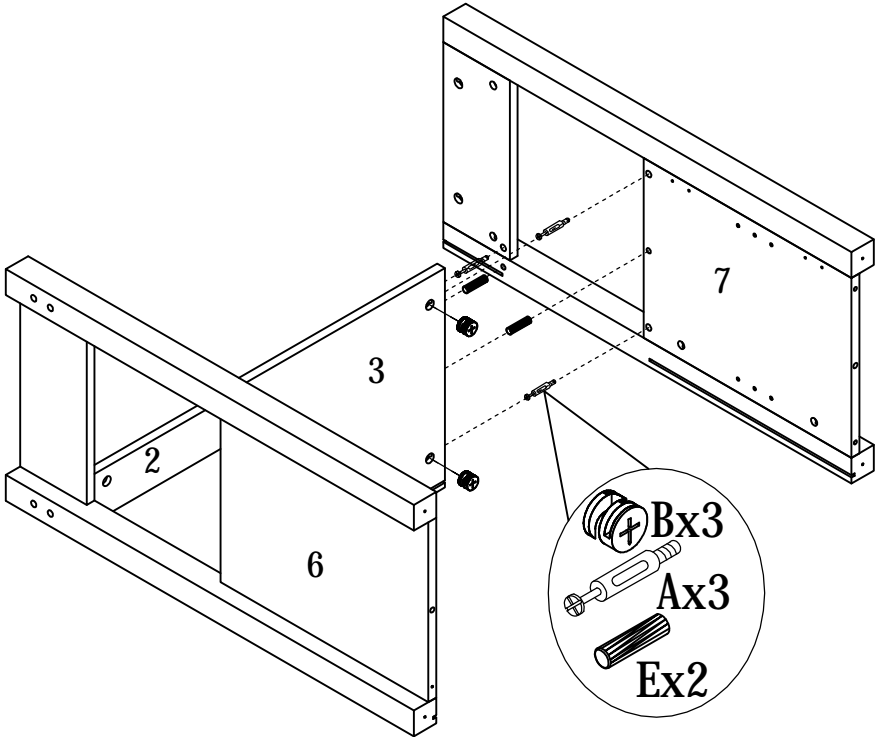
<p>HOW TO</p>  <p>Cam Bolt</p>  <p>Cam Lock</p>	<p>1</p>  <p>1. Screw Cam Bolt into panel.</p>	<p>2</p>  <p>2. Insert Cam Bolt into bolt hole of joining panel.</p>	<p>3</p>  <p>3. Insert Cam Lock. arrow facing bolt.</p>	<p>4</p>  <p>4. Gently turn Cam Lock clockwise to lock position.</p>
--	---	---	---	---

STEP 1



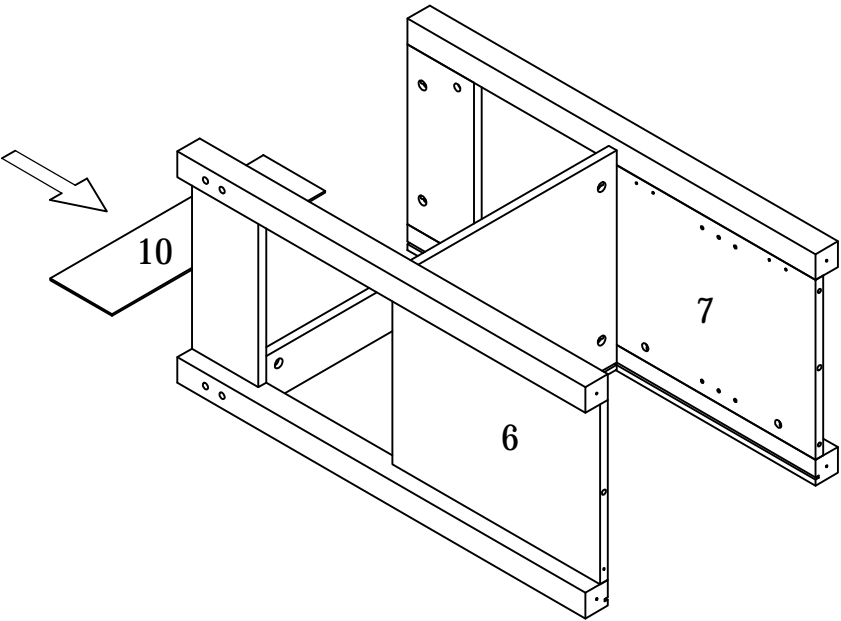
ASSEMBLY INSTRUCTION

ITEM#: 161714



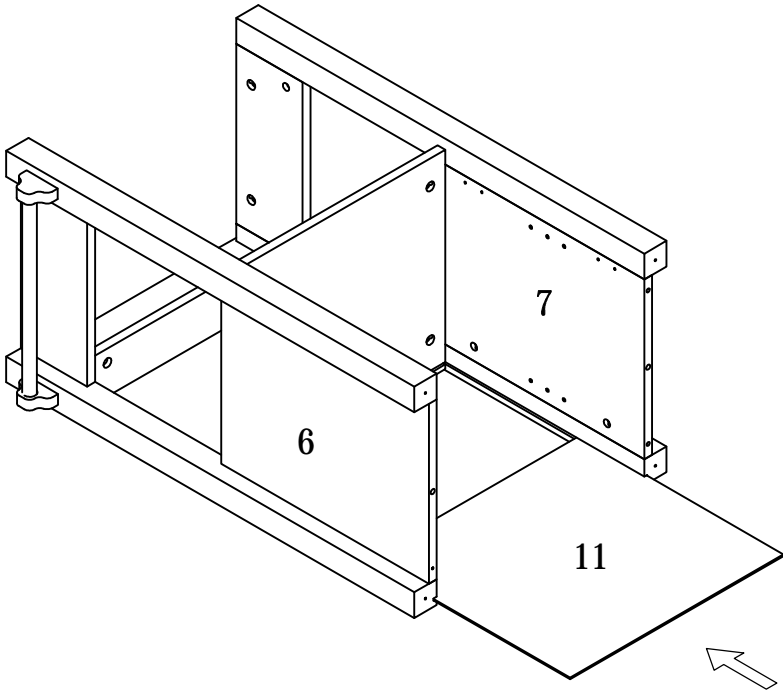
STEP2

STEP3



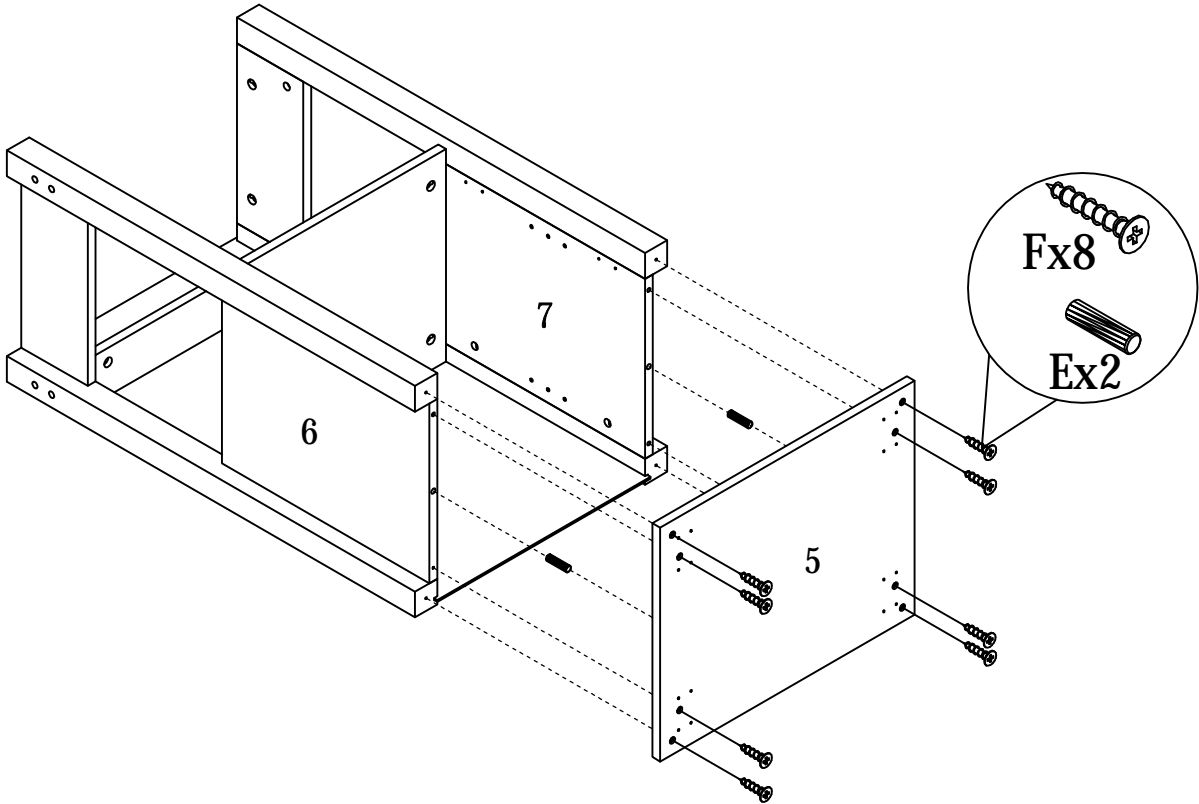
ASSEMBLY INSTRUCTION

ITEM#: 161714



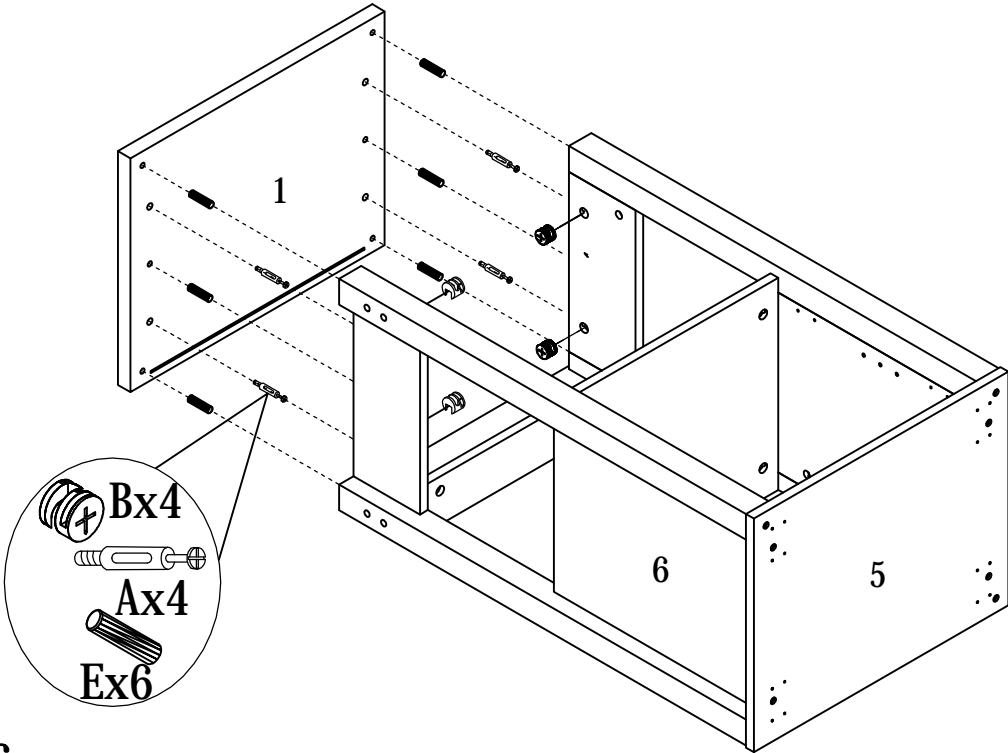
STEP 4

STEP 5



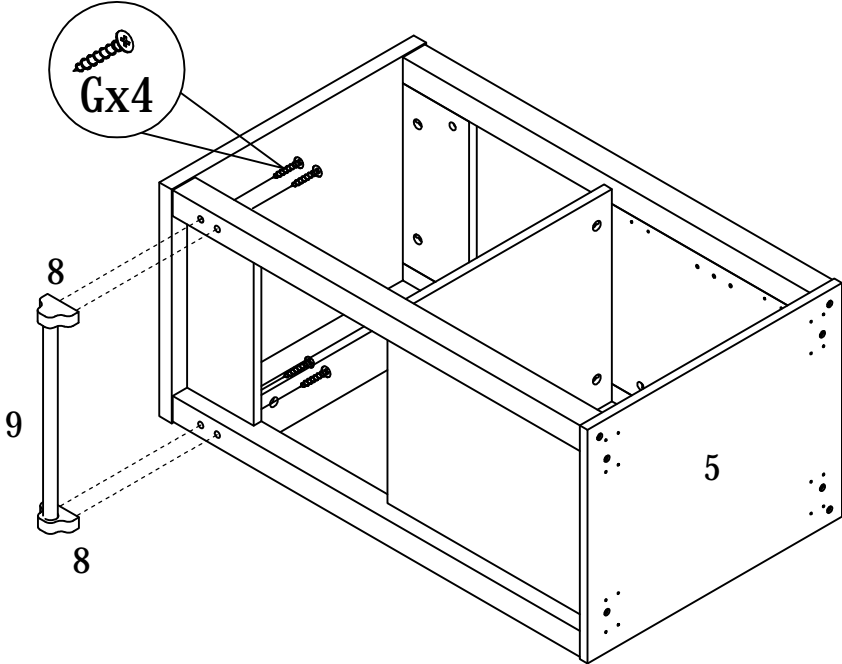
ASSEMBLY INSTRUCTION

ITEM#: 161714



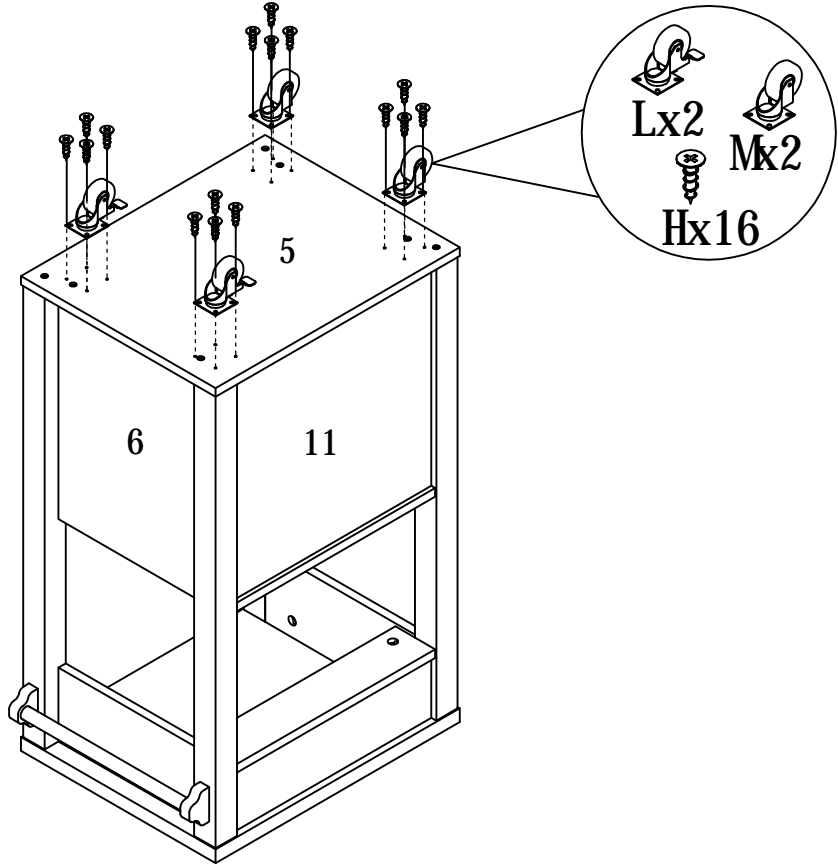
STEP6

STEP7



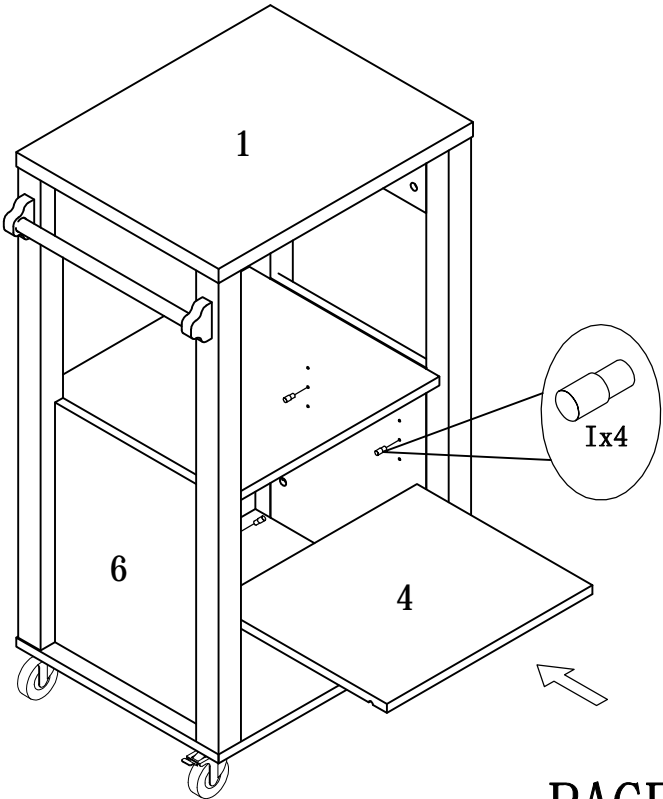
ASSEMBLY INSTRUCTION

ITEM#: 161714



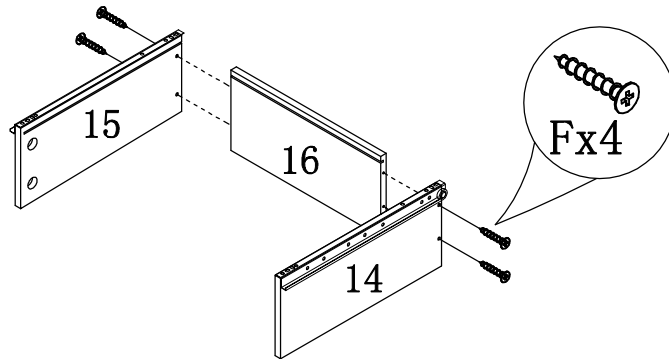
STEP8

STEP9



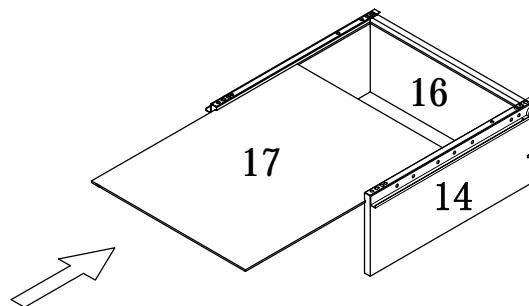
ASSEMBLY INSTRUCTION

ITEM#: 161714

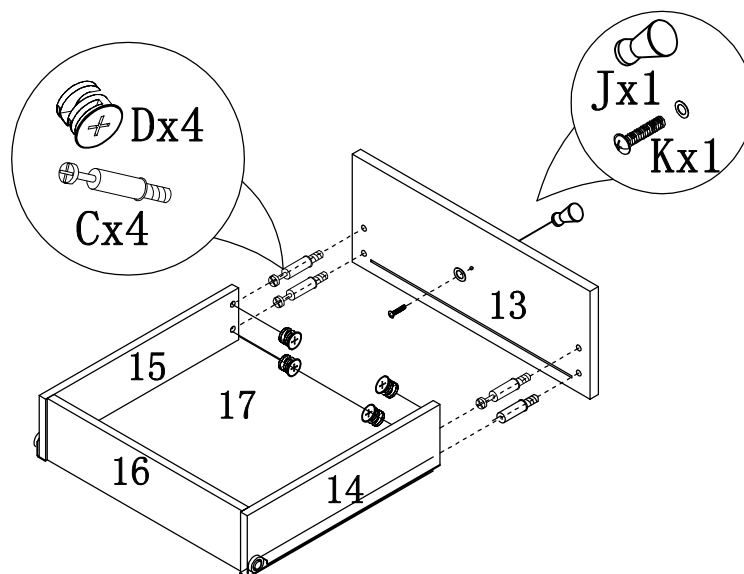


STEP10

STEP11

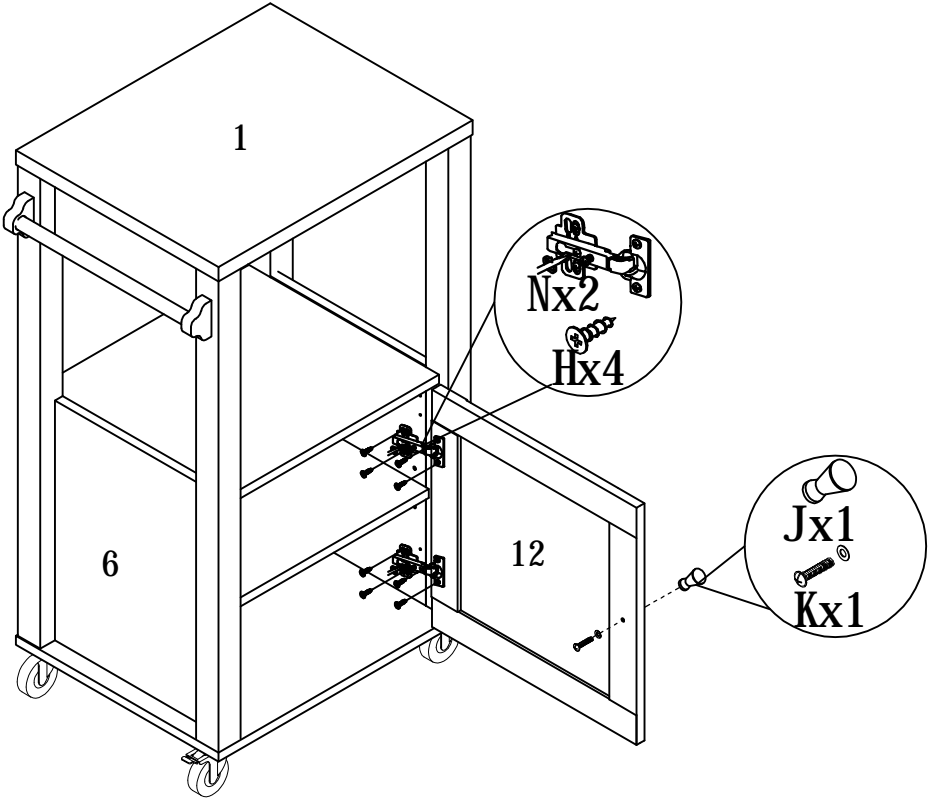


STEP12



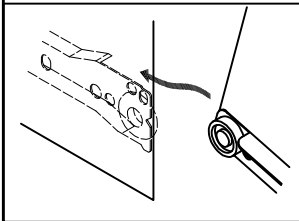
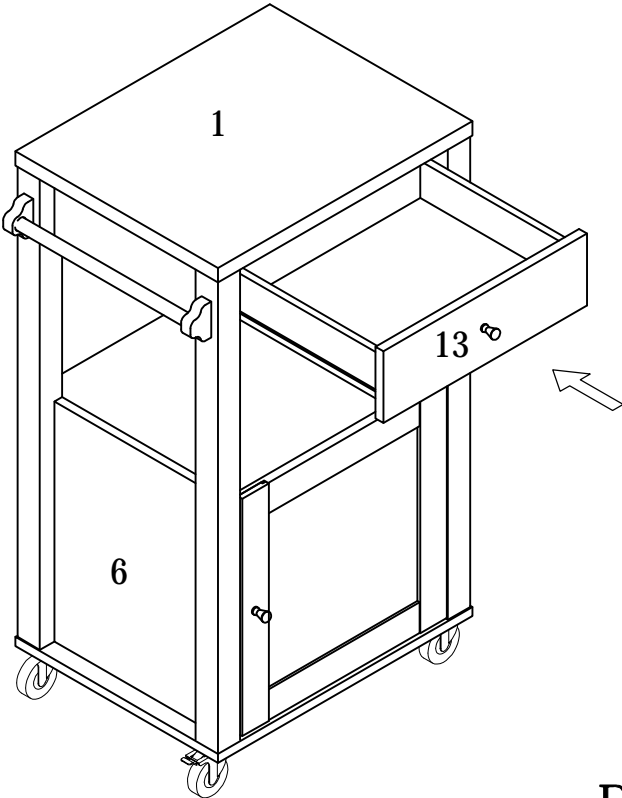
ASSEMBLY INSTRUCTION

ITEM#: 161714



STEP 13

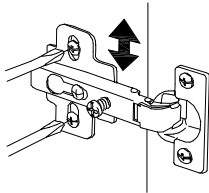
STEP 14



HOW TO ADJUST HINGES

Gradually adjust the screws and close the door to review adjustment each time.

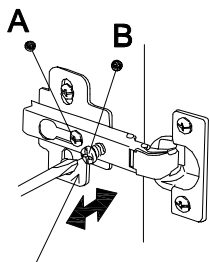
Fig.1



If door is too high or too low:

Loosen top and bottom screws, as shown in Fig .1, for all hinges on this door panel. Take care to support door. Adjust door up or down as necessary, hold in place. and tighten screws again.

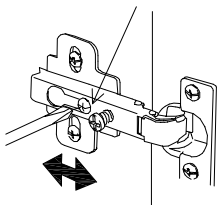
Fig.2



If doors have a gap in the middle or are hitting each other:

Loosen screw A and B, as shown in Fig.2, for all hinges on this door panel. Take care to support door. Adjust door to the left or right as necessary, hold in place and tighten screw A ,then B. If the door is not hanging straight, adjust the top and bottom hinges separately by tightening/loosening screw B, to correct the alignment of that corner. Turn screw B clockwise to move door toward frame. Turn screw B counterclockwise to move door away from frame.

Fig.3



If door is too close or far from frame:

Loosen screw, as shown in Fig.3, for all hinges on this door panel. Take care to support door. Adjust door towards or away from frame as necessary, hold in place and tighten screws again.