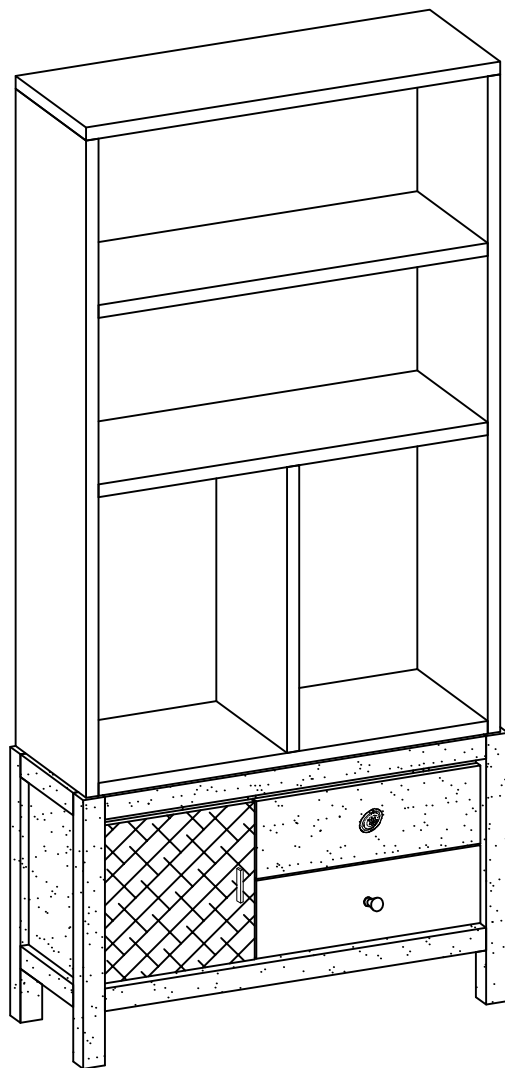


ASSEMBLY INSTRUCTION

ITEM#: 161724



ASSEMBLY INSTRUCTION

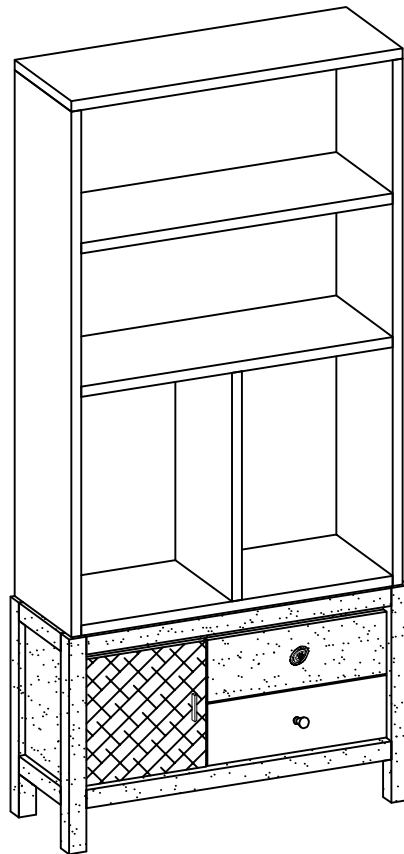
PLEASE READ BEFORE ASSEMBLING!

Tip #1: Make sure you've taken all the pieces and hardware out of its packaging before discarding the box. Assembly on top of flattened box/blanket is recommended.

Tip #2: Using page 2 and/or page 3 of instruction manual make sure all pieces and hardware are accounted for.

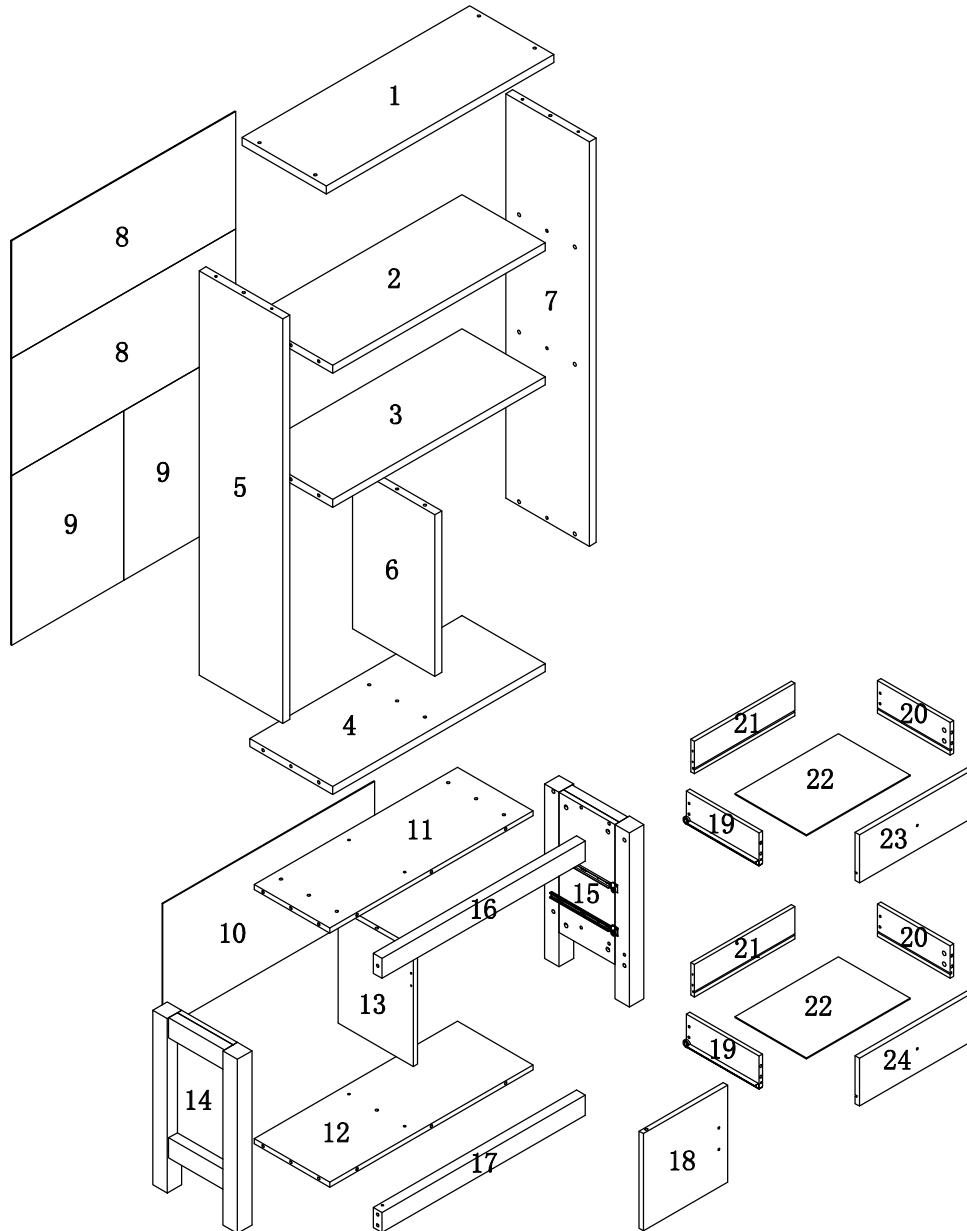
Tip #3: Note position of all holes on each panel during assembly.

ITEM#: 161724



PARTS IDENTIFICATION

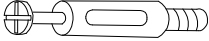

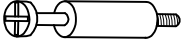

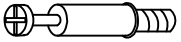




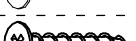
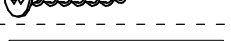
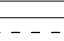



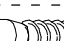



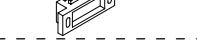



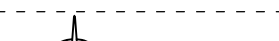

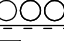



ITEM#: 161724



(1)	1pc	(9)	2pcs	(17)	1pc
(2)	1pc	(10)	1pc	(18)	1pc
(3)	1pc	(11)	1pc	(19)	2pcs
(4)	1pc	(12)	1pc	(20)	2pcs
(5)	1pc	(13)	1pc	(21)	2pcs
(6)	1pc	(14)	1pc	(22)	2pcs
(7)	1pc	(15)	1pc	(23)	1pc
(8)	2pcs	(16)	1pc	(24)	1pc

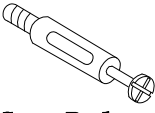
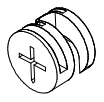
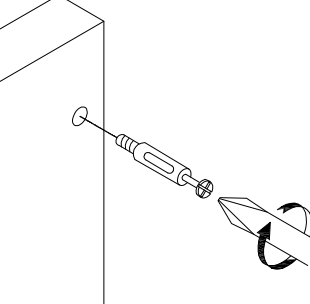
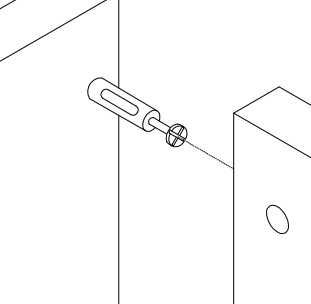
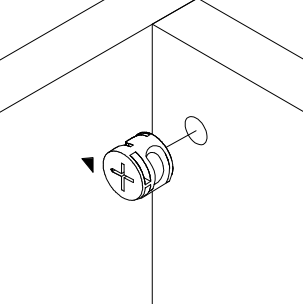
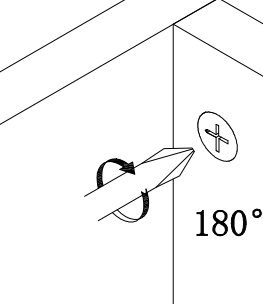
HARDWARE IDENTIFICATION

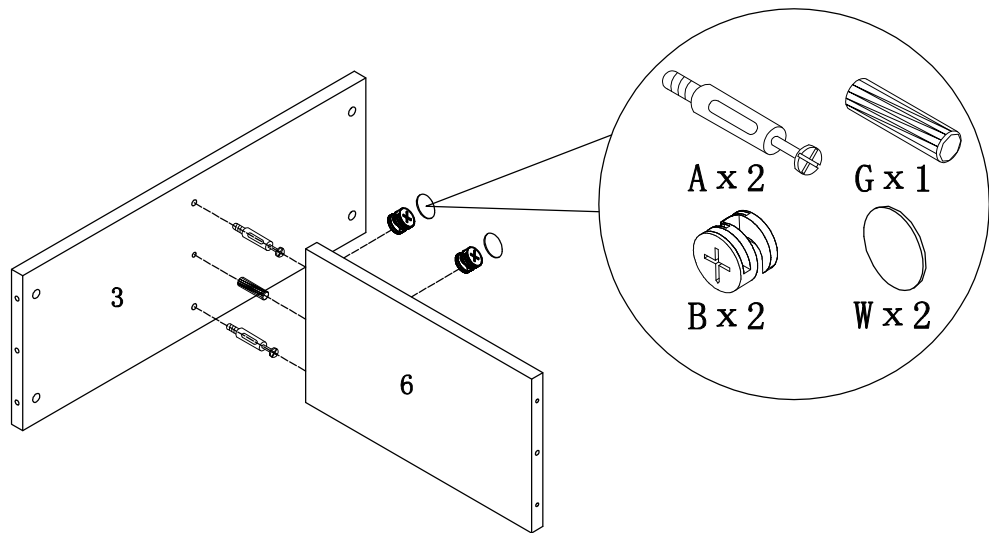
ITEM#: 161724

A		L29	18pcs
B		ø15	18pcs
C		L24	12pcs
D		ø12	12pcs
E		L20	8pcs
F		ø12	8pcs
G		ø8 × 25	22pcs
H		ø3 × 14	2pcs
I		ø3 × 16	2pcs
J		ø4 × 30	12pcs
K		64mm	1pc
L			1pc
M		12363	1pc
N		M4 × 22	4pcs
O		M7 × 48	6pcs
P		ø8 × ø16 × 2	6pcs
Q		M6 × 25	4pcs
R			1pc
S			1pc
T			1pc
U		Z1016	92pcs
V		ø16	4pcs
W		ø20	10pcs
X		197x5x1	1pc
Y		ø8x40	1pc
Z		12x12x1	2pcs
A1		ø5x40	1pc
B1		ø4x25	1pc
C1		Glue: For securing please apply to wood dowel first before inserting into panel	1pc

ASSEMBLY INSTRUCTION

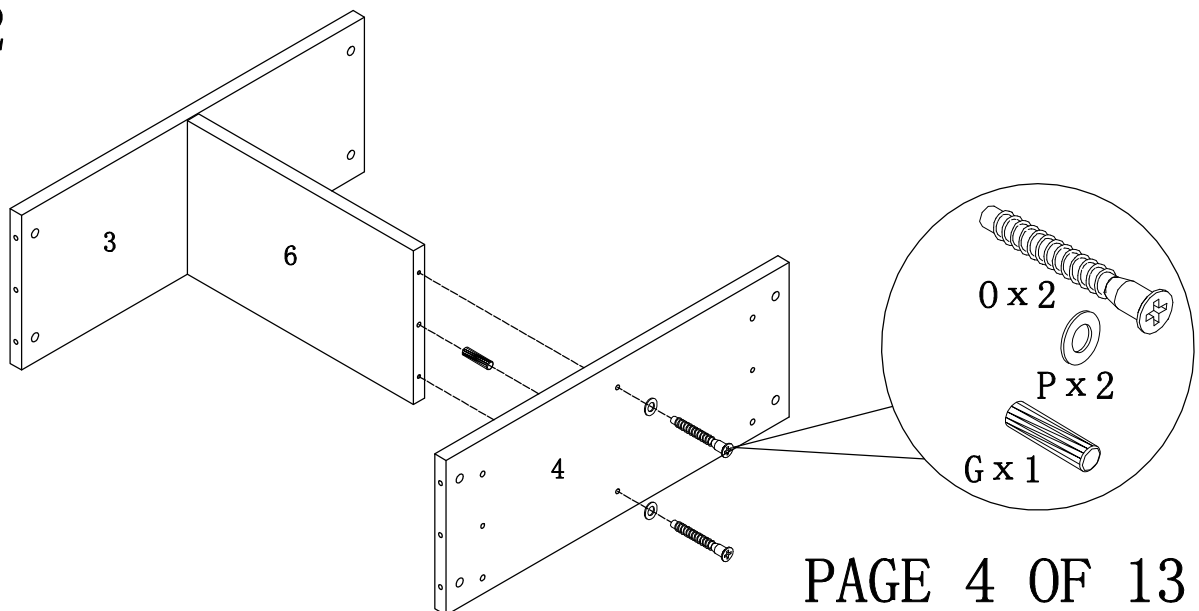
ITEM#: 161724

HOW TO	1	2	3	4
 Cam Bolt  Cam Lock				
	1. Screw Cam Bolt into panel.	2. Insert Cam Bolt into bolt hole of joining panel.	3. Insert Cam Lock. arrow facing bolt.	4. Gently turn Cam Lock clockwise to lock position.



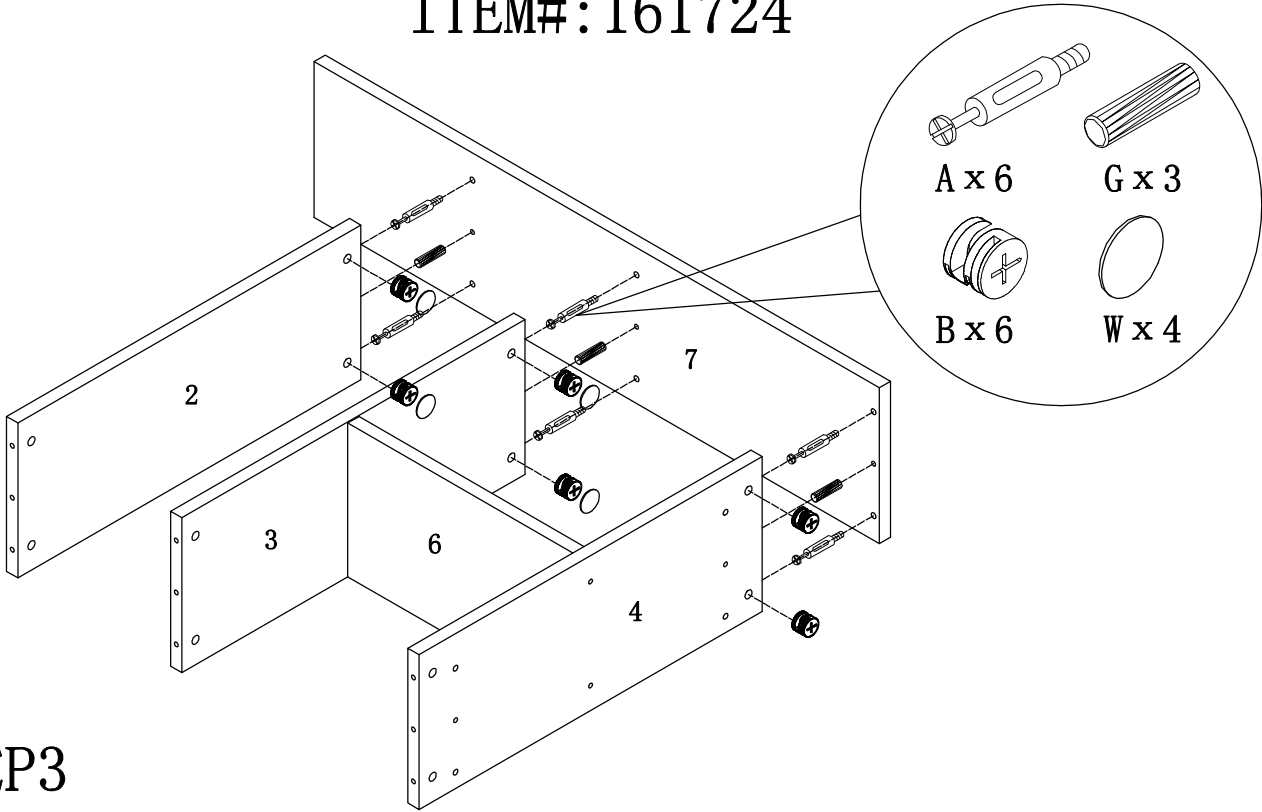
STEP1

STEP2



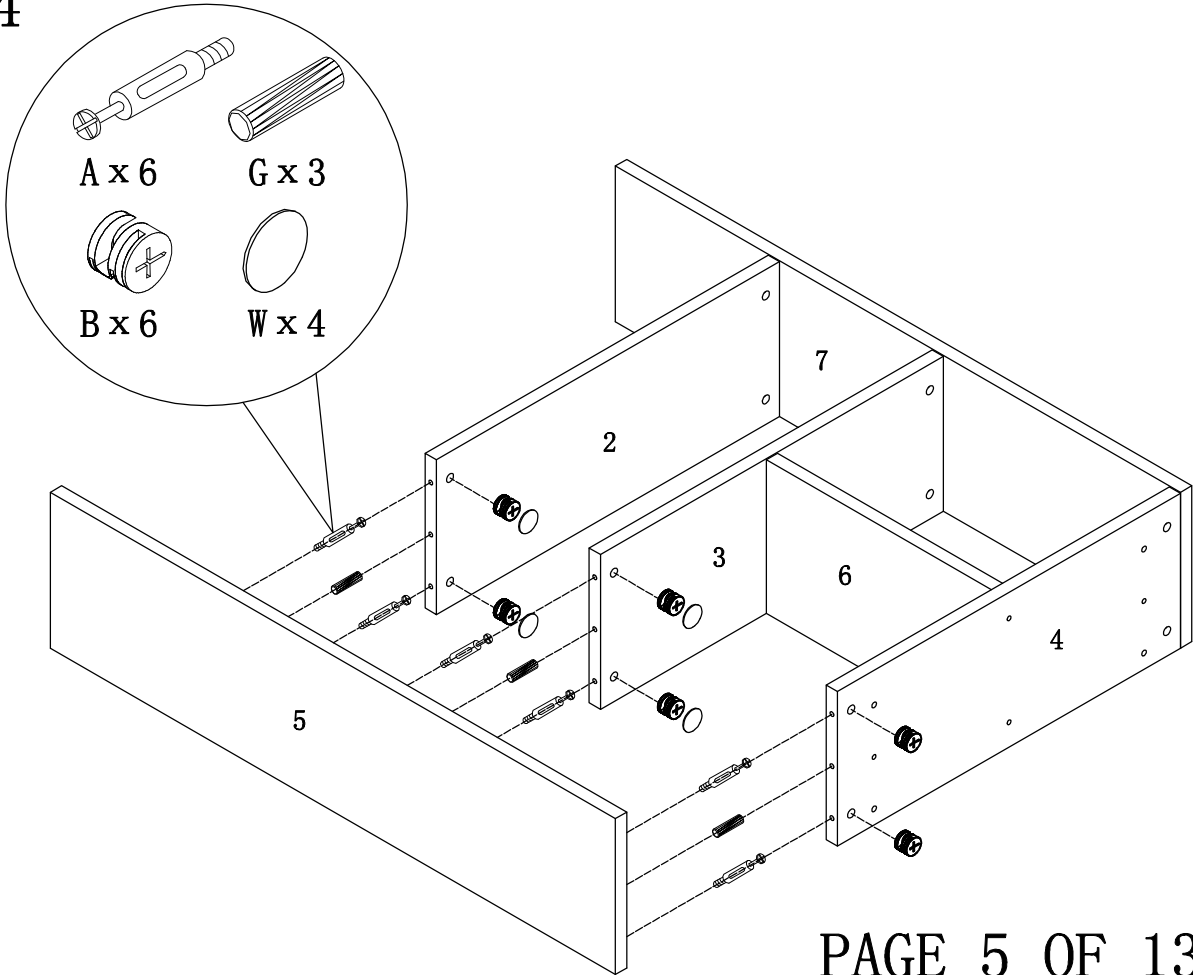
ASSEMBLY INSTRUCTION

ITEM#: 161724



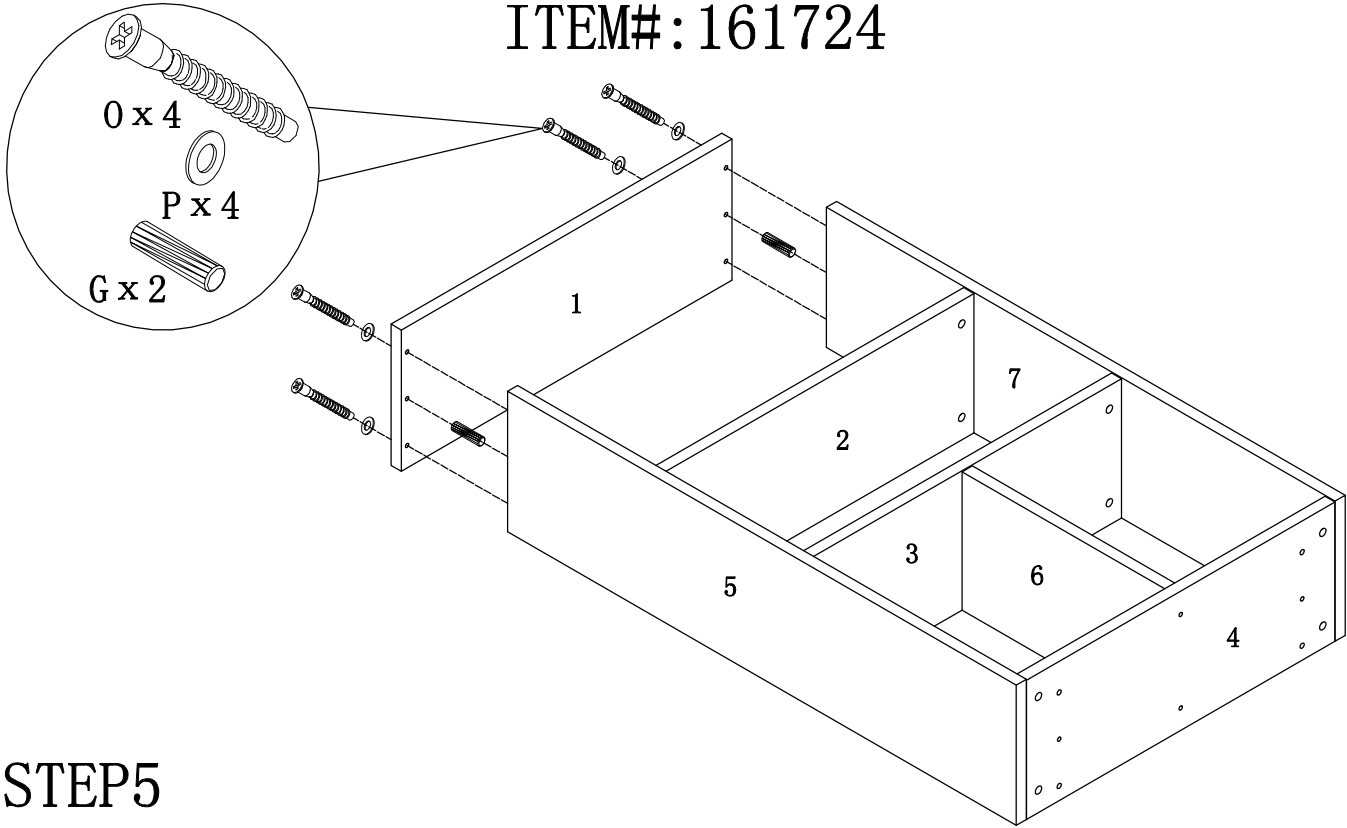
STEP 3

STEP 4



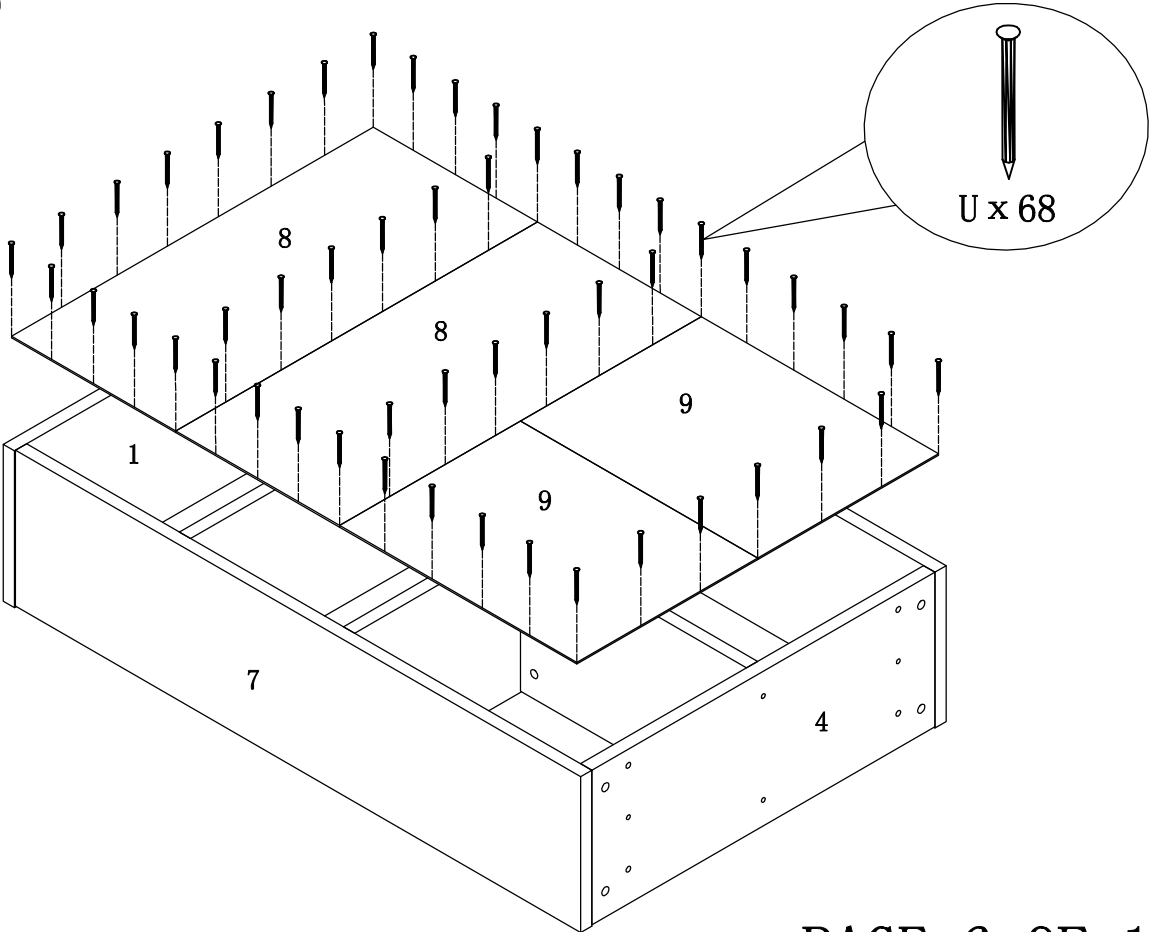
ASSEMBLY INSTRUCTION

ITEM#: 161724



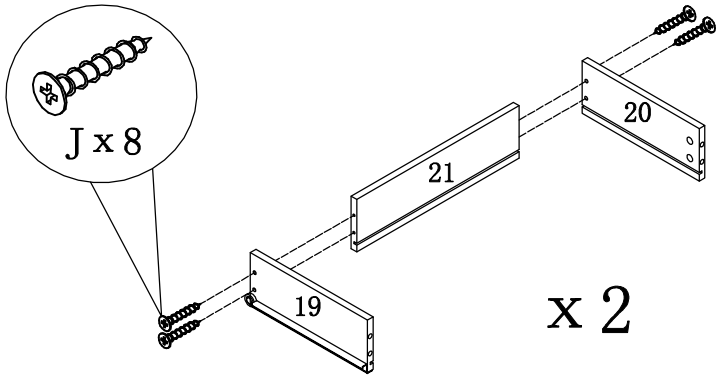
STEP5

STEP6



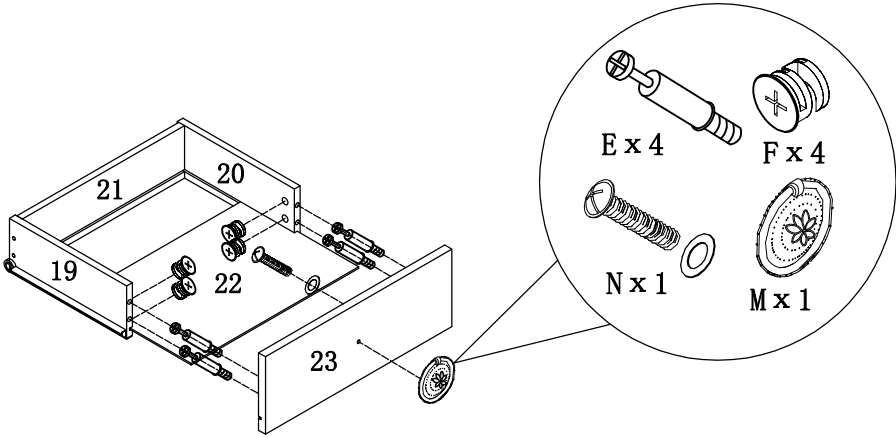
ASSEMBLY INSTRUCTION

ITEM#: 161724

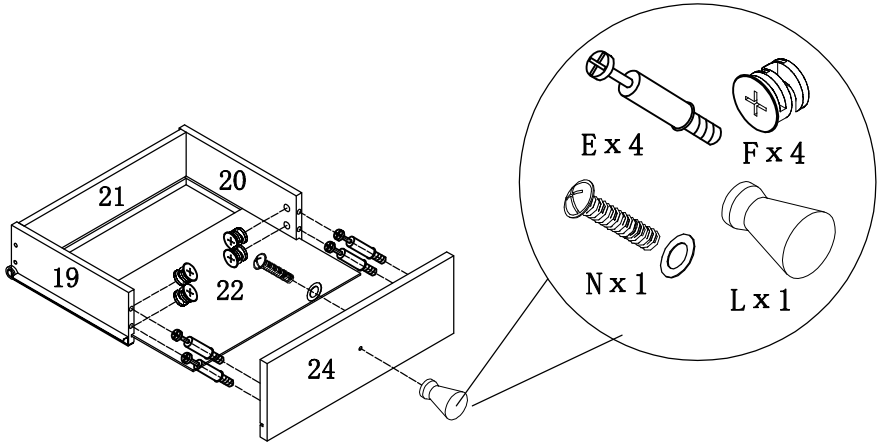


STEP 7

STEP 8

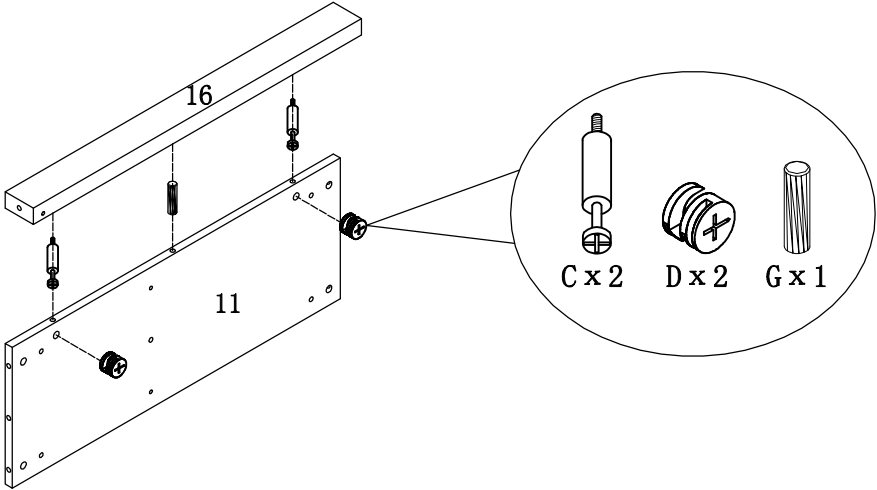


STEP 9



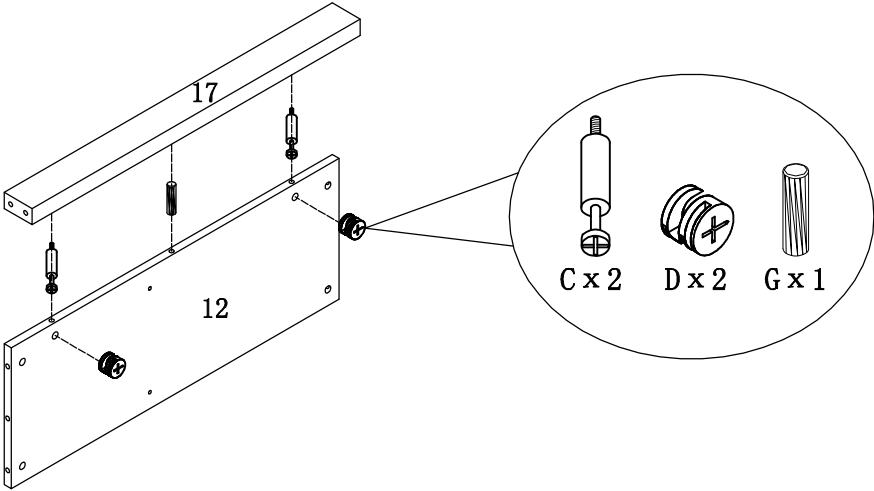
ASSEMBLY INSTRUCTION

ITEM#: 161724



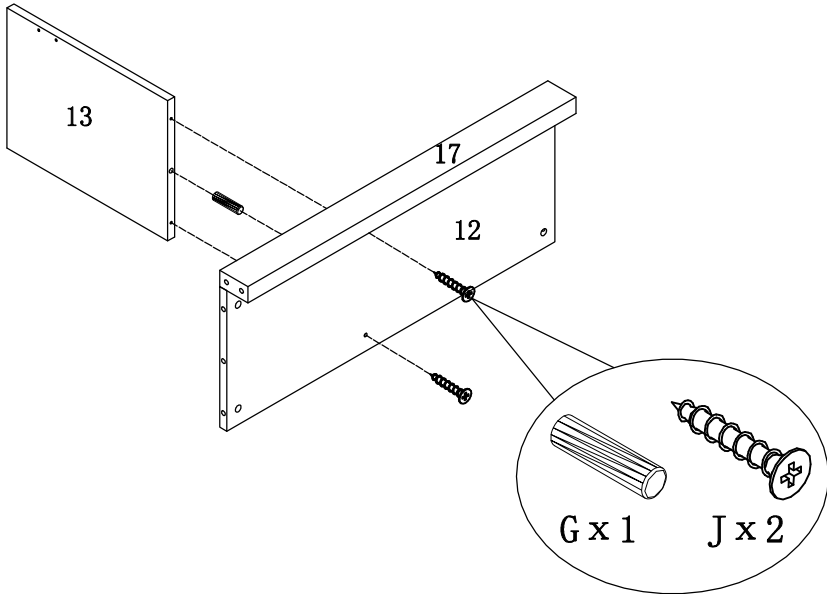
STEP 10

STEP 11



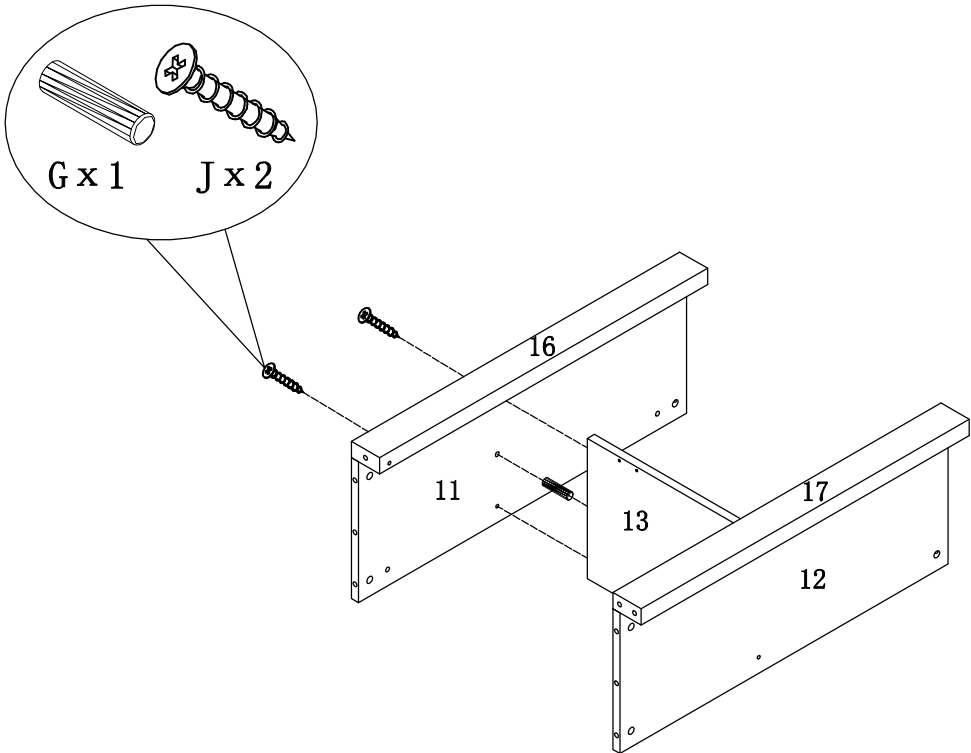
ASSEMBLY INSTRUCTION

ITEM#: 161724



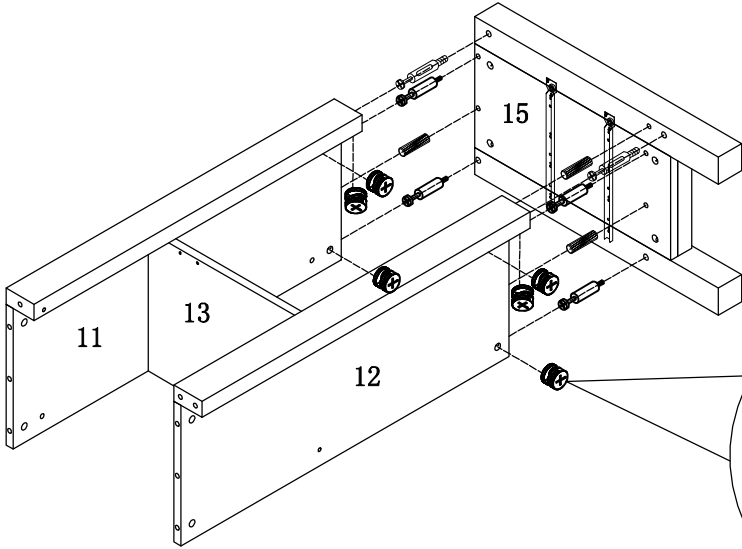
STEP 12

STEP 13



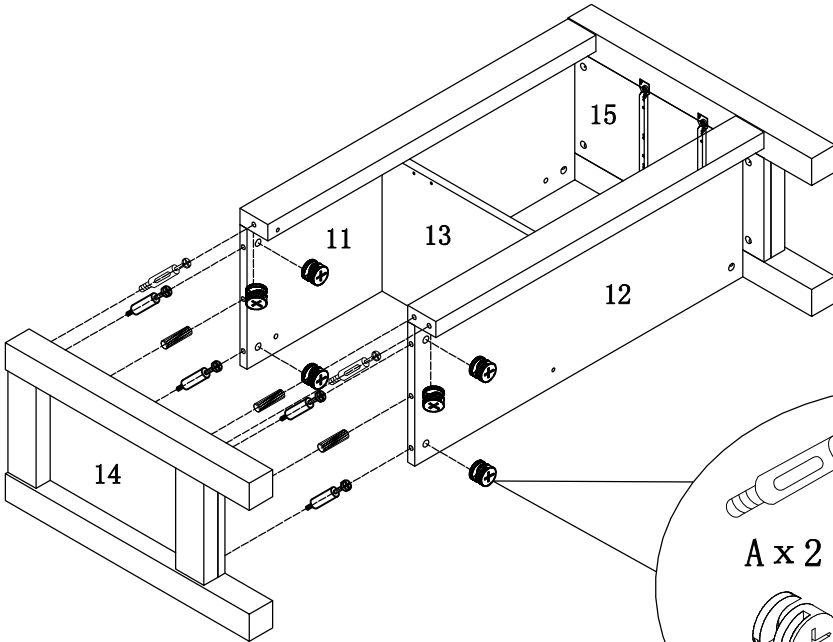
ASSEMBLY INSTRUCTION

ITEM#: 161724



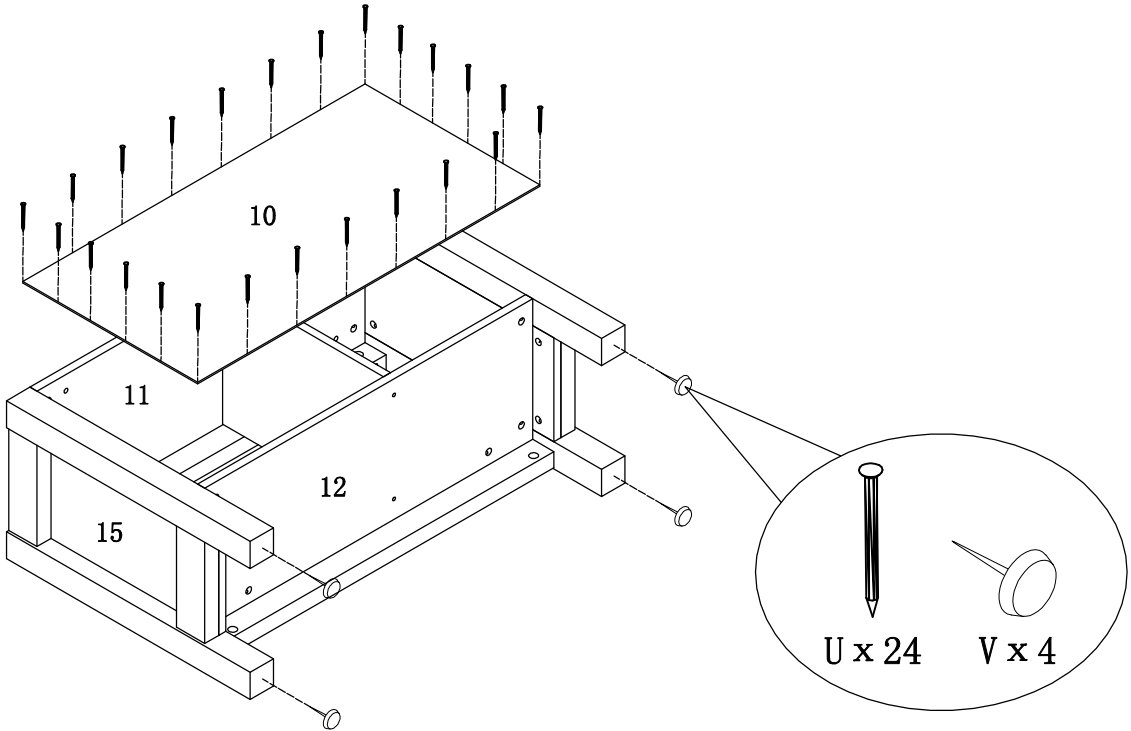
STEP 14

STEP 15



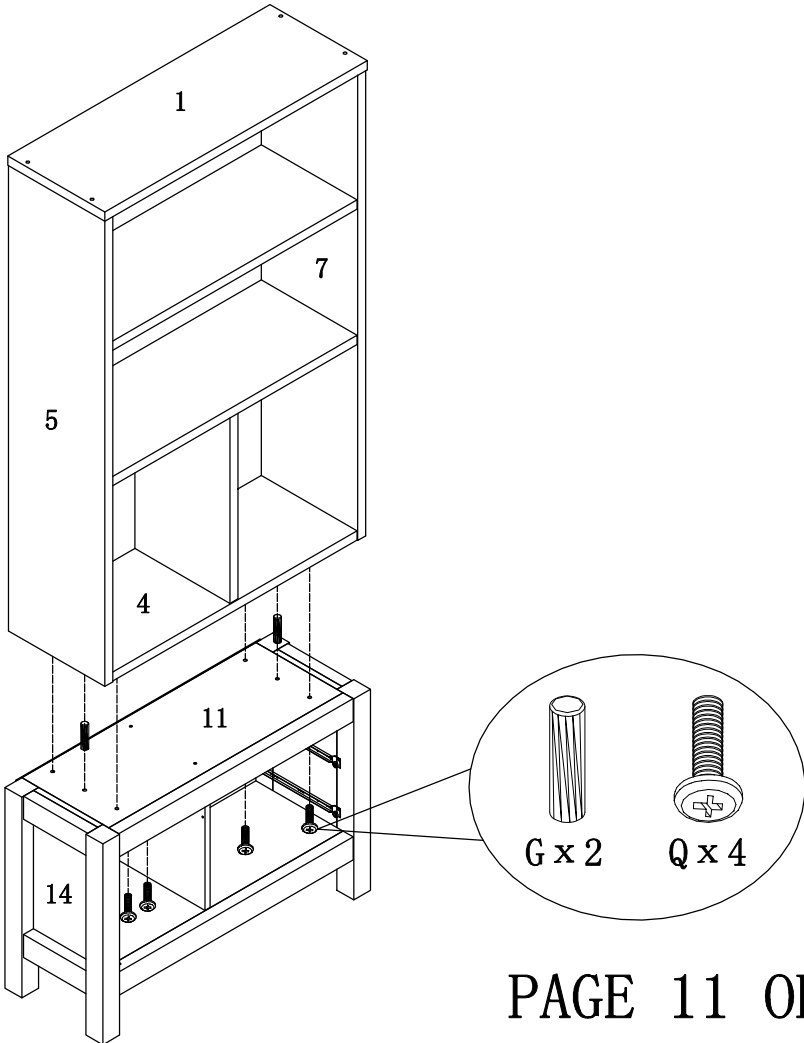
ASSEMBLY INSTRUCTION

ITEM#: 161724



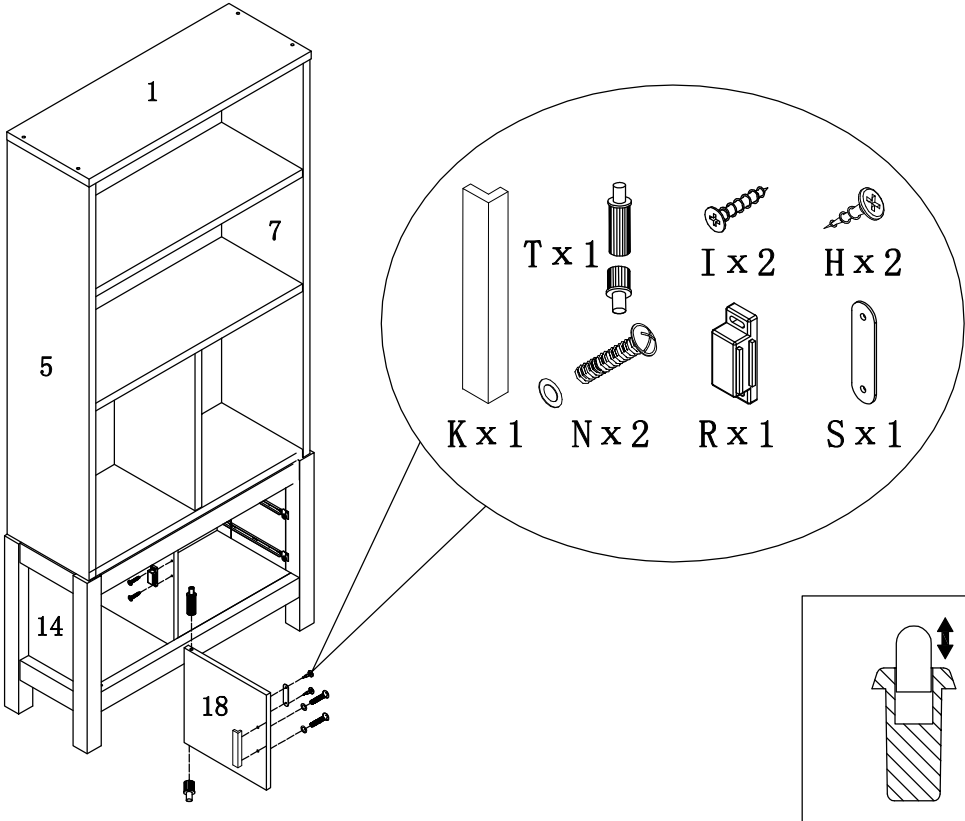
STEP 16

STEP 17



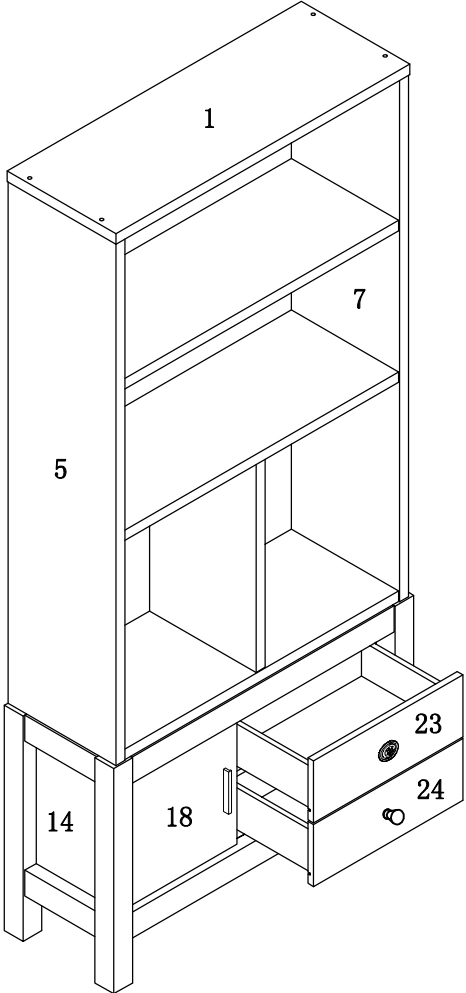
ASSEMBLY INSTRUCTION

ITEM#: 161724



STEP 18

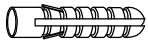
STEP 19



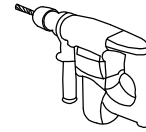
ANTI-TIPPING STRAP INSTRUCTION

HARDWARE (INCLUDED) :

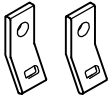
TOOLS NEEDED (NOT INCLUDED) :



DRYWALL ANCHOR $\phi 8 \times 40$ X 1PC



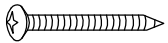
DRILL & DRILL BIT



METAL BRACKETS $12 \times 12 \times 1$ X 2PCS



LIGHT HAMMER



DRYWALL SCREW $\phi 5 \times 40$ X 1PC



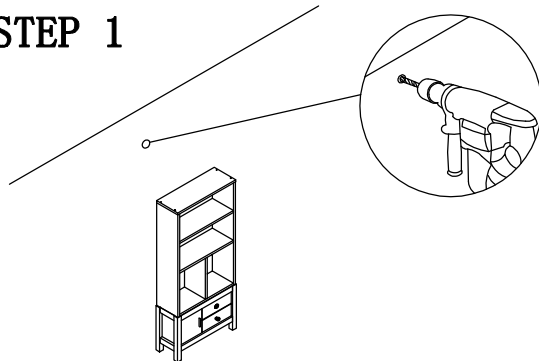
STRAP $197 \times 5 \times 1$ X 1PC



FLATHEAD SCREW $\phi 4 \times 25$ X 1PC

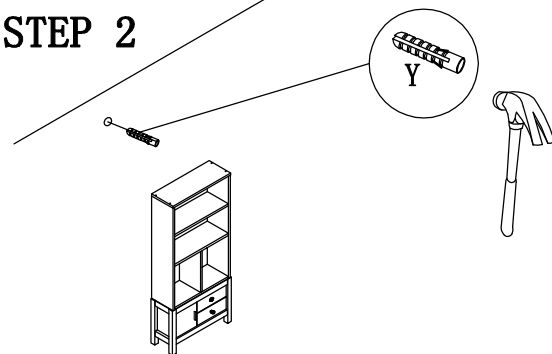
Note: Hardware included only compatible with standard drywalls.

STEP 1



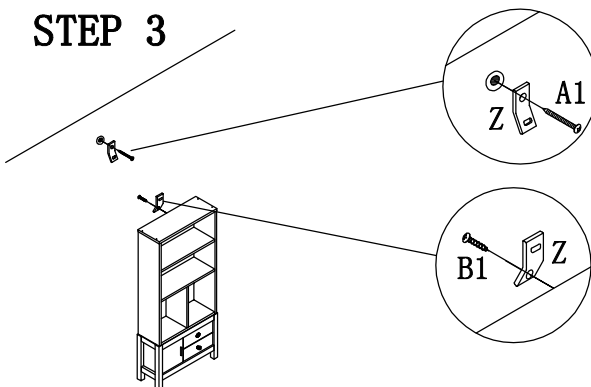
1. Find spot on wall 1" below top of item.
2. Using a drill bit slightly thinner than anchor, drill hole into drywall.

STEP 2



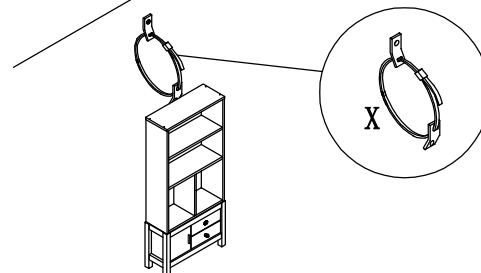
1. Use a light hammer to tap anchor into hole.
2. Anchor should fit snugly. If hole is too small, drill again to increase hole size. Do not force anchor into wall.

STEP 3



1. Insert drywall screw into metal bracket and into drywall anchor.
2. Insert flathead screw into second metal bracket and into back of item along top edge.

STEP 4



1. Insert strap thru bracket attached to wall, then thru bracket on item, and into head of strap.
 2. pull lightly til strap stops.
- Assembly is complete.