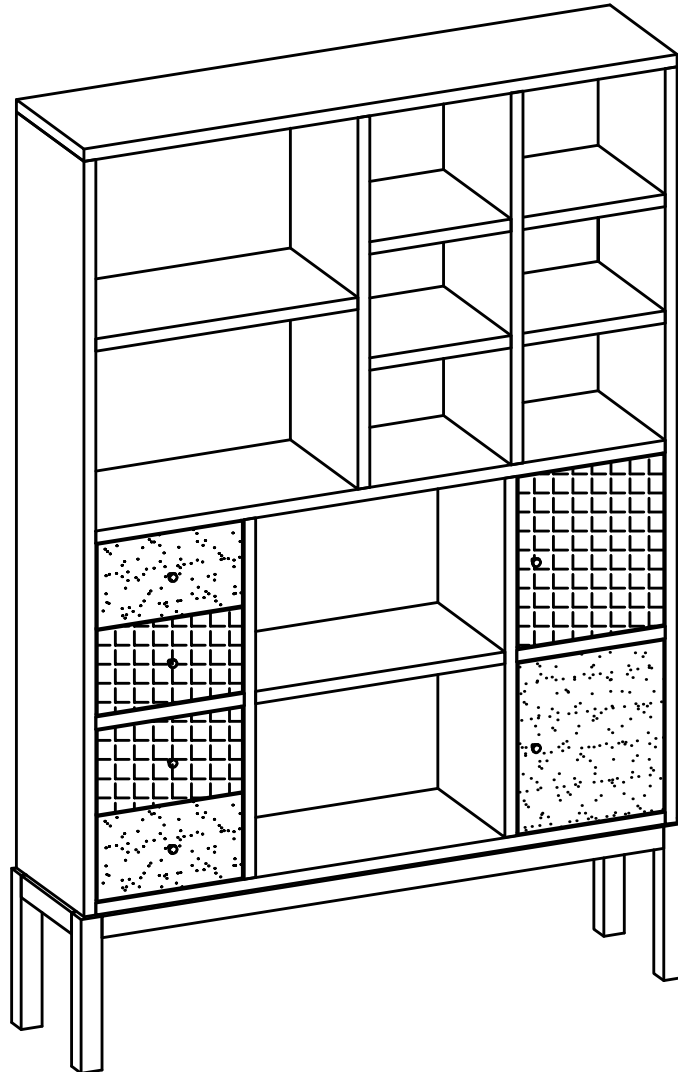


ASSEMBLY INSTRUCTION

ITEM#: 161755



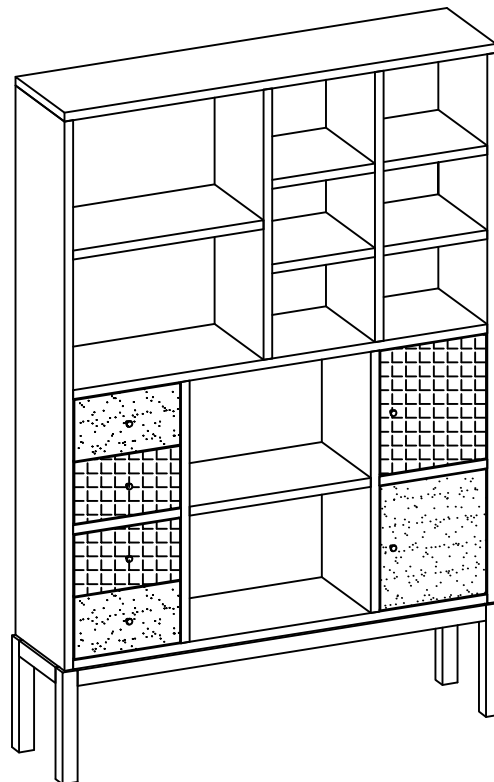
ASSEMBLY INSTRUCTION

PLEASE READ BEFORE ASSEMBLING!

Tip #1: Make sure you've taken all the pieces and hardware out of its packaging before discarding the box.

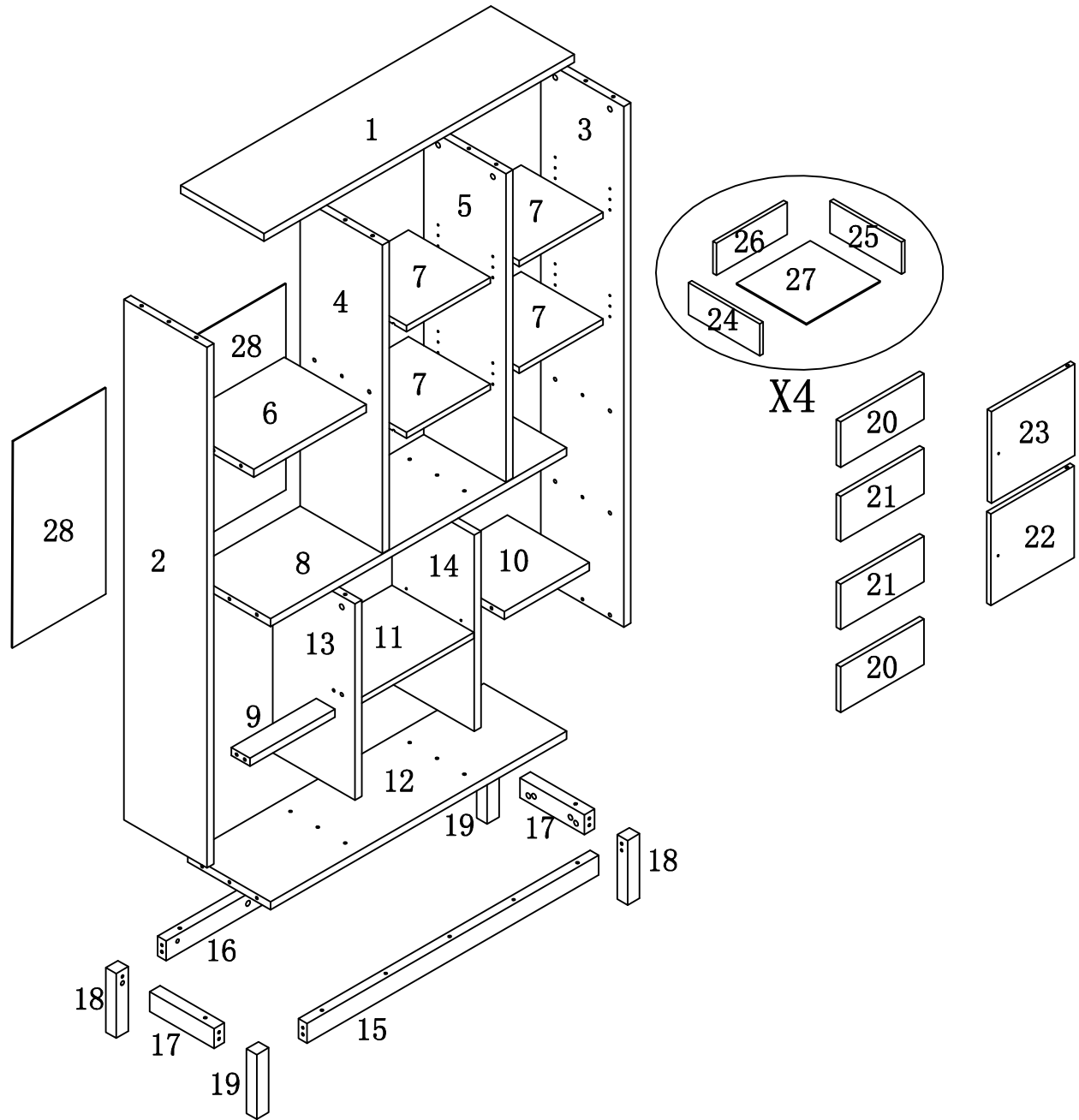
Tip #2: Using page 2 and/or page 3 of instruction manual make sure all pieces and hardware are accounted for.

ITEM#: 161755



PARTS IDENTIFICATION



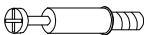




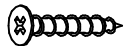



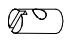





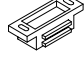


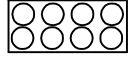
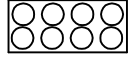
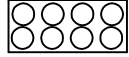
ITEM#: 161755



(1)	1pc	(8)	1pc	(15)	1pc	(22)	1pc
(2)	1pc	(9)	1pc	(16)	1pc	(23)	1pc
(3)	1pc	(10)	1pc	(17)	2pcs	(24)	4pcs
(4)	1pc	(11)	1pc	(18)	2pcs	(25)	4pcs
(5)	1pc	(12)	1pc	(19)	2pcs	(26)	4pcs
(6)	1pc	(13)	1pc	(20)	2pcs	(27)	4pcs
(7)	4pcs	(14)	1pc	(21)	2pcs	(28)	2pcs



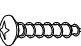
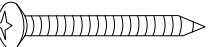
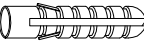

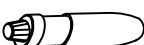
HARDWARE IDENTIFICATION

ITEM#: 161755

A		L29	44pcs
B		Ø15	44pcs
C		L20	16pcs
D		Ø12	16pcs
E		Ø8x25	32pcs
F		Ø3x14	4pcs
G		Ø3x16	4pcs
H		Ø4x30	16pcs
I		Ø7x48	8pcs
J		Ø8x16x2	12pcs
K		M6x65	4pcs
L		M6x15	4pcs
M		M4	1pc
N			6pcs
O		M4x22	6pcs
P		Ø5x15	20pcs
Q			2pcs
R			2pcs
S			2pcs
T			36pcs
U		Ø22	4pcs
V		Ø20	24pcs
W		Ø13	4pcs

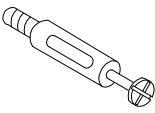

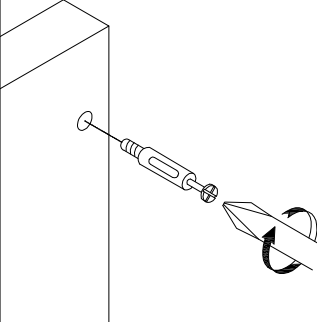
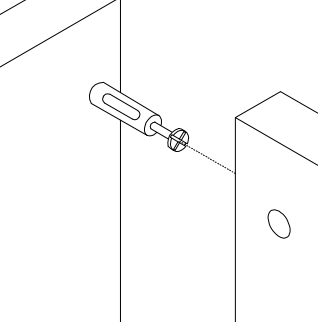
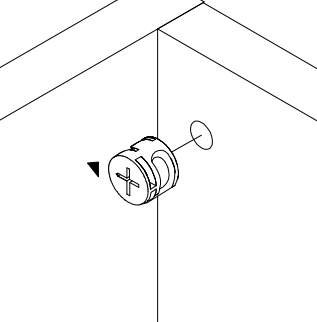
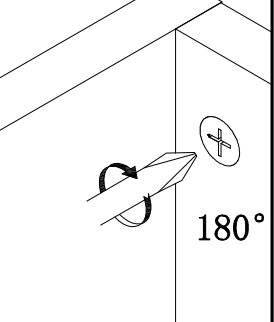
HARDWARE IDENTIFICATION

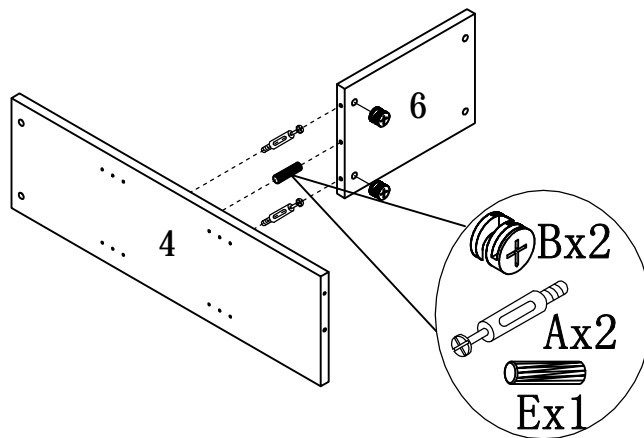
ITEM#: 161755

X		$\phi 16$	4pcs
Y		$197 \times 5 \times 1$	1pc
Z		4×25	1pc
A1		$\square 5 \times 40$	1pc
A2		$\square 8 \times 40$	1pc
A3		$12 \times 12 \times 1$	2pcs
A4		Glue: For securing please apply to wood dowel first before inserting into panel	1pc

ASSEMBLY INSTRUCTION

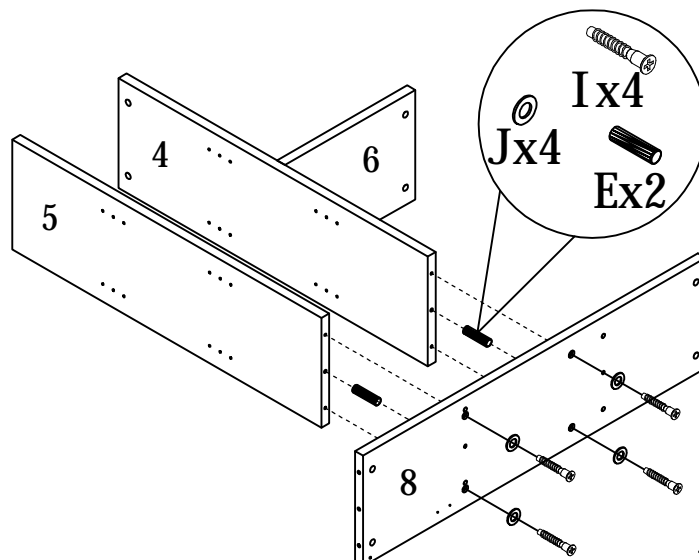
ITEM#: 161755

HOW TO	1	2	3	4
 <p>Cam Bolt</p>  <p>Cam Lock</p>	 <p>1. Screw Cam Bolt into panel.</p>	 <p>2. Insert Cam Bolt into bolt hole of joining panel.</p>	 <p>3. Insert Cam Lock. arrow facing bolt.</p>	 <p>4. Gently turn Cam Lock clockwise to lock position.</p>



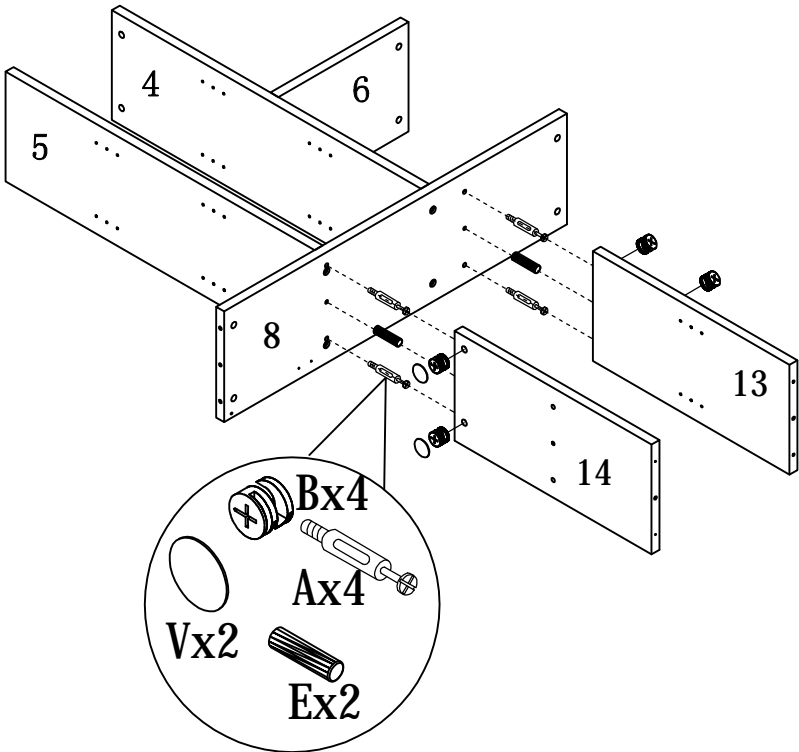
STEP1

STEP2



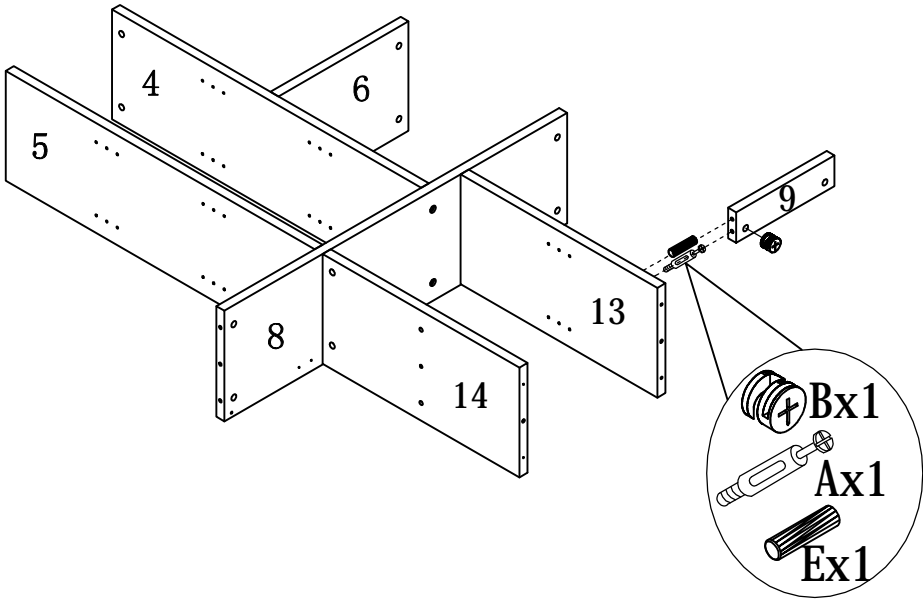
ASSEMBLY INSTRUCTION

ITEM#: 161755



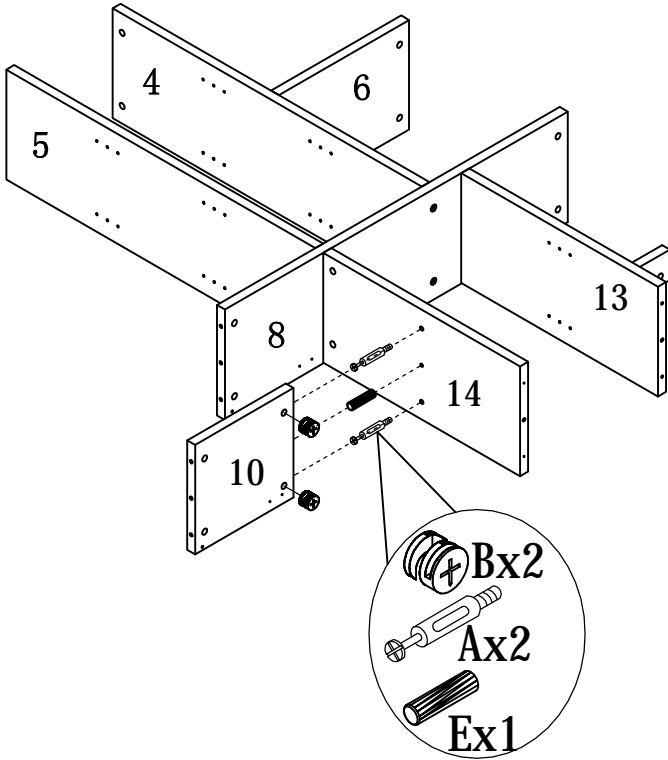
STEP3

STEP4



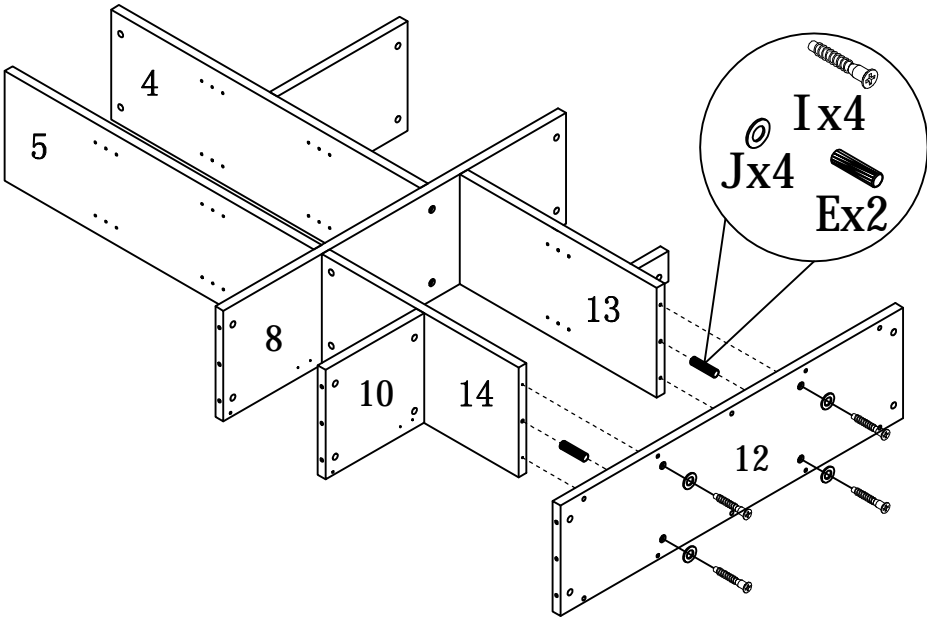
ASSEMBLY INSTRUCTION

ITEM#: 161755



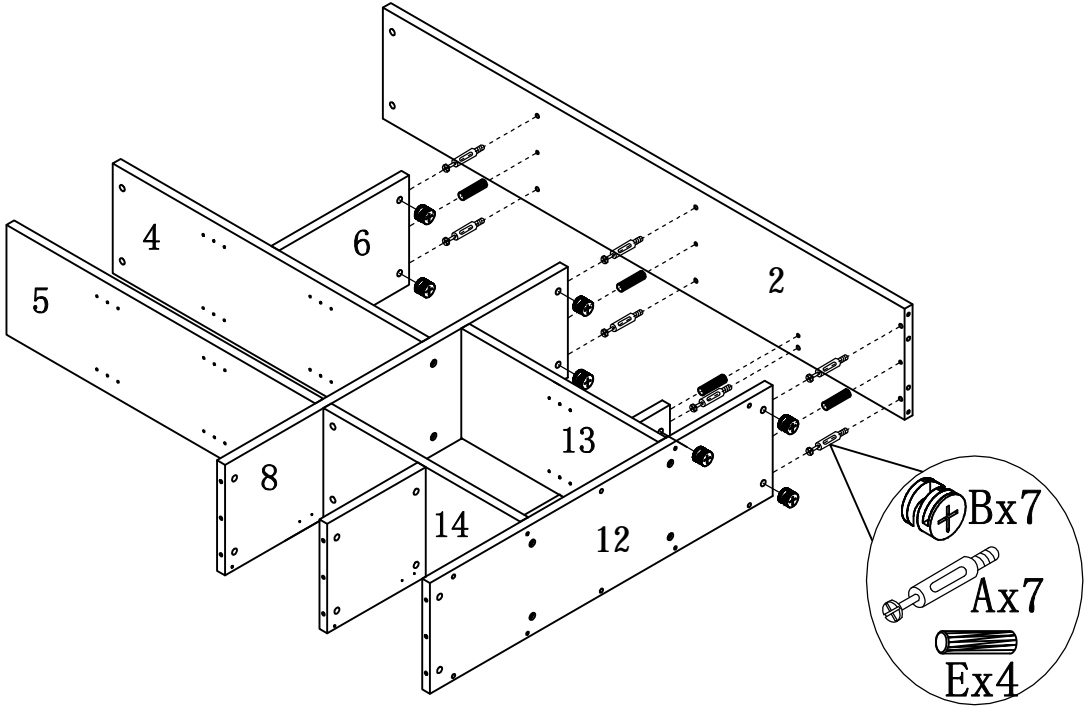
STEP5

STEP6



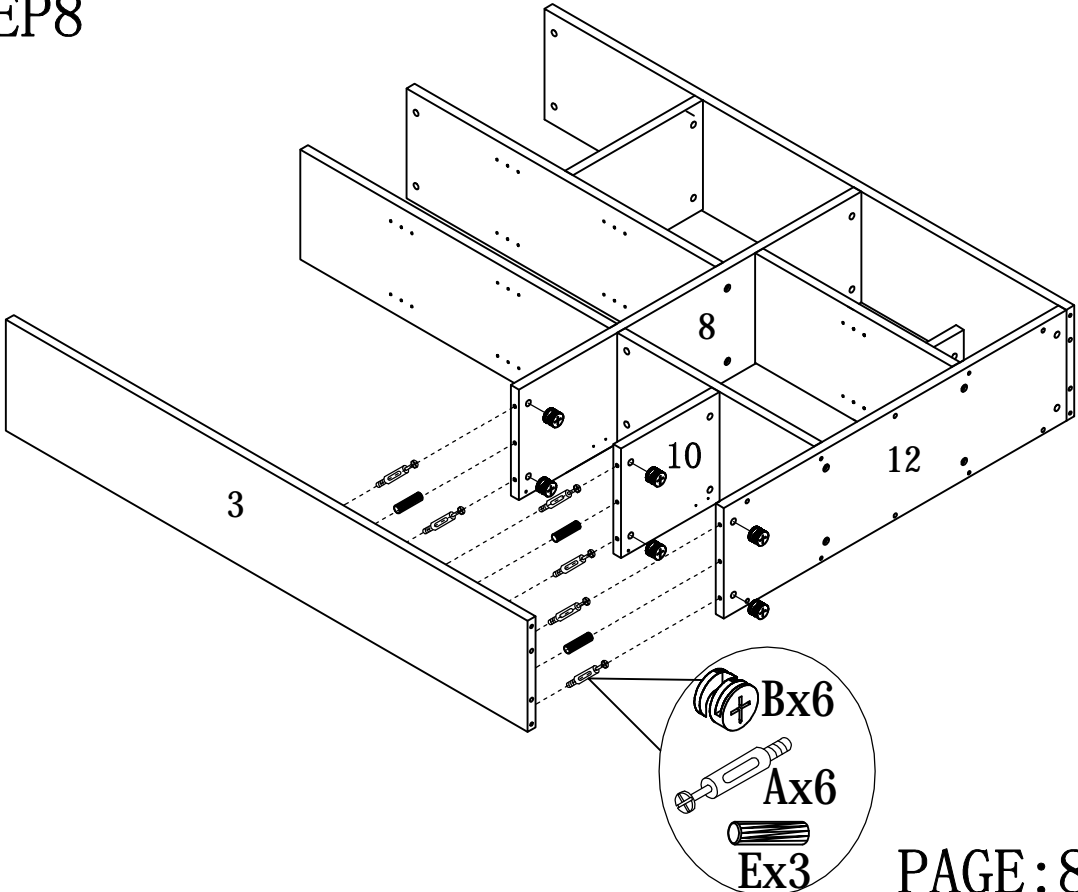
ASSEMBLY INSTRUCTION

ITEM#: 161755



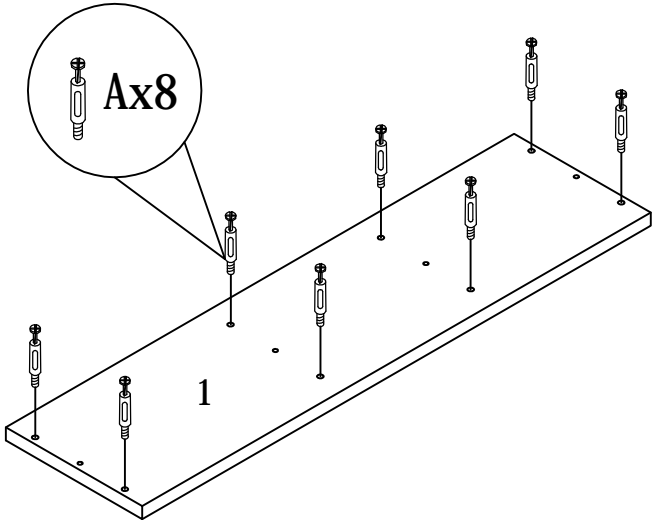
STEP7

STEP8



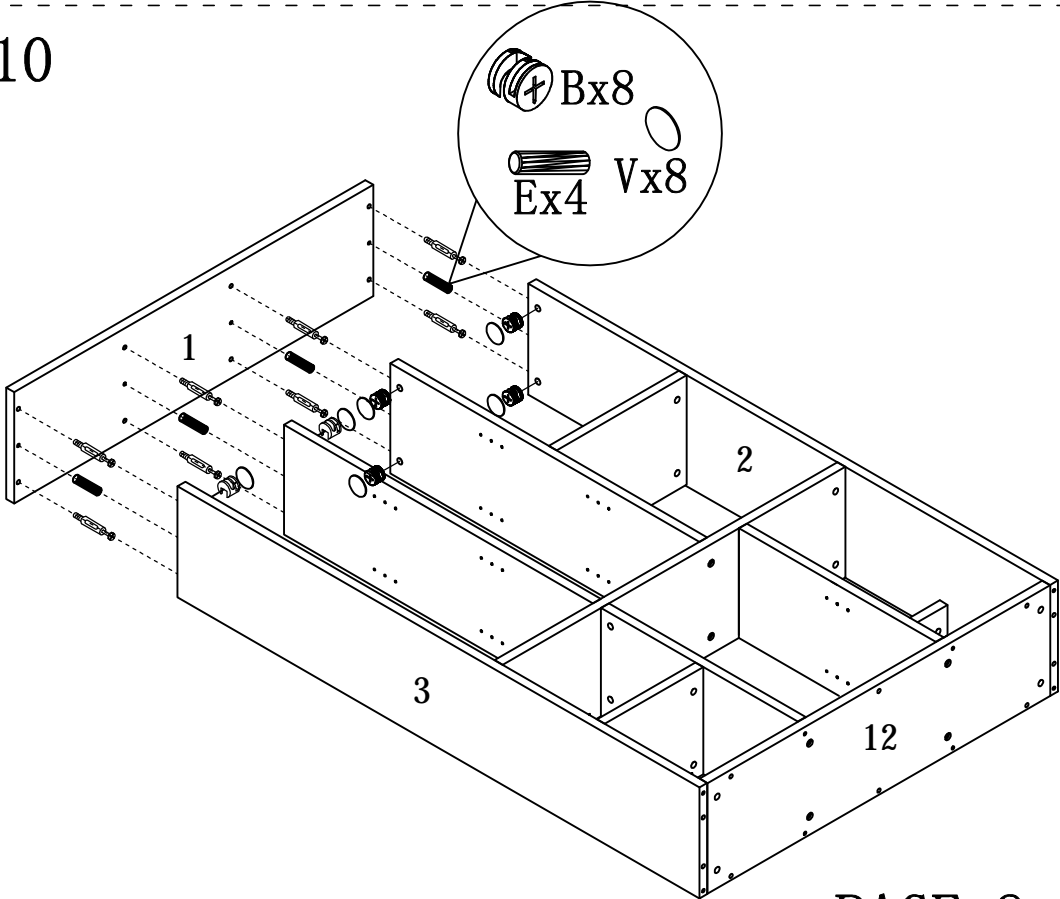
ASSEMBLY INSTRUCTION

ITEM#: 161755



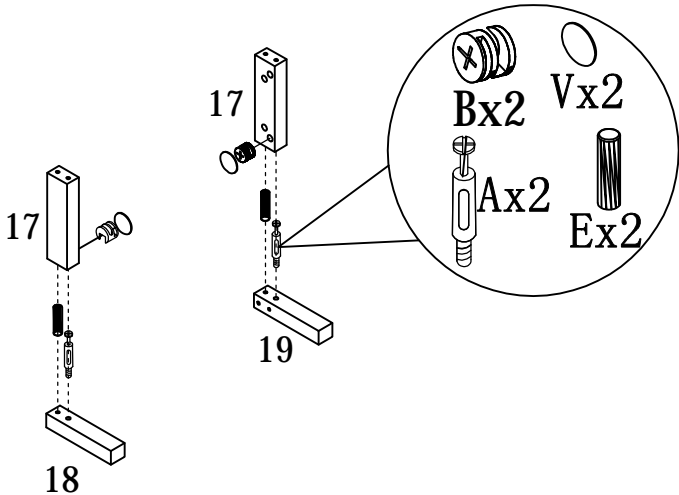
STEP9

STEP10



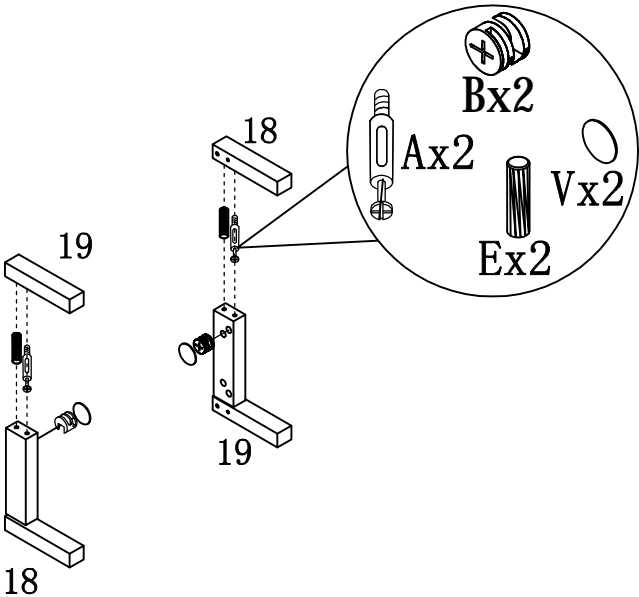
ASSEMBLY INSTRUCTION

ITEM#: 161755



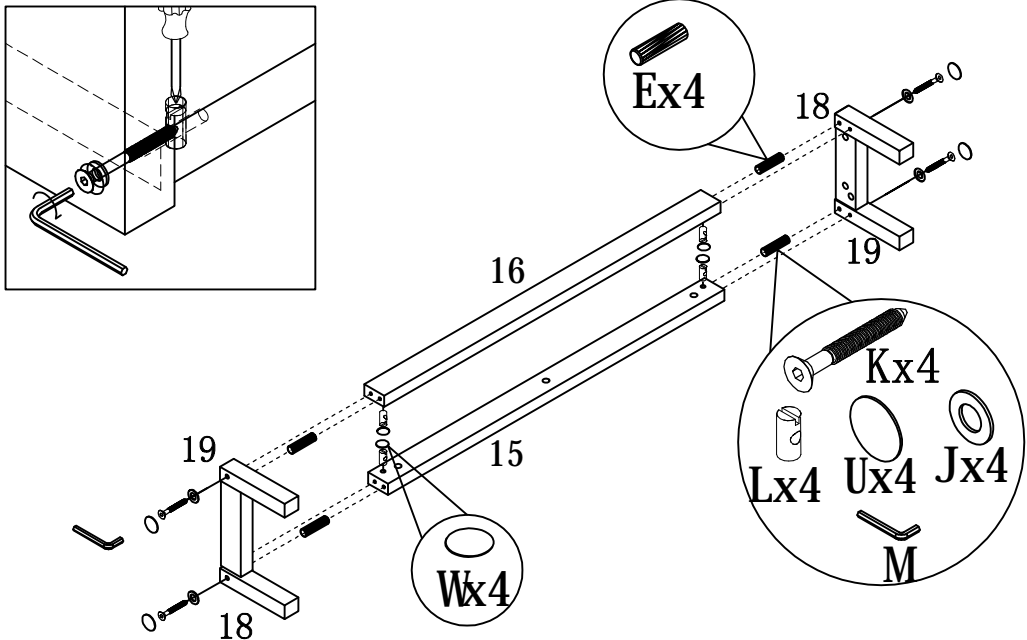
STEP 11

STEP 12



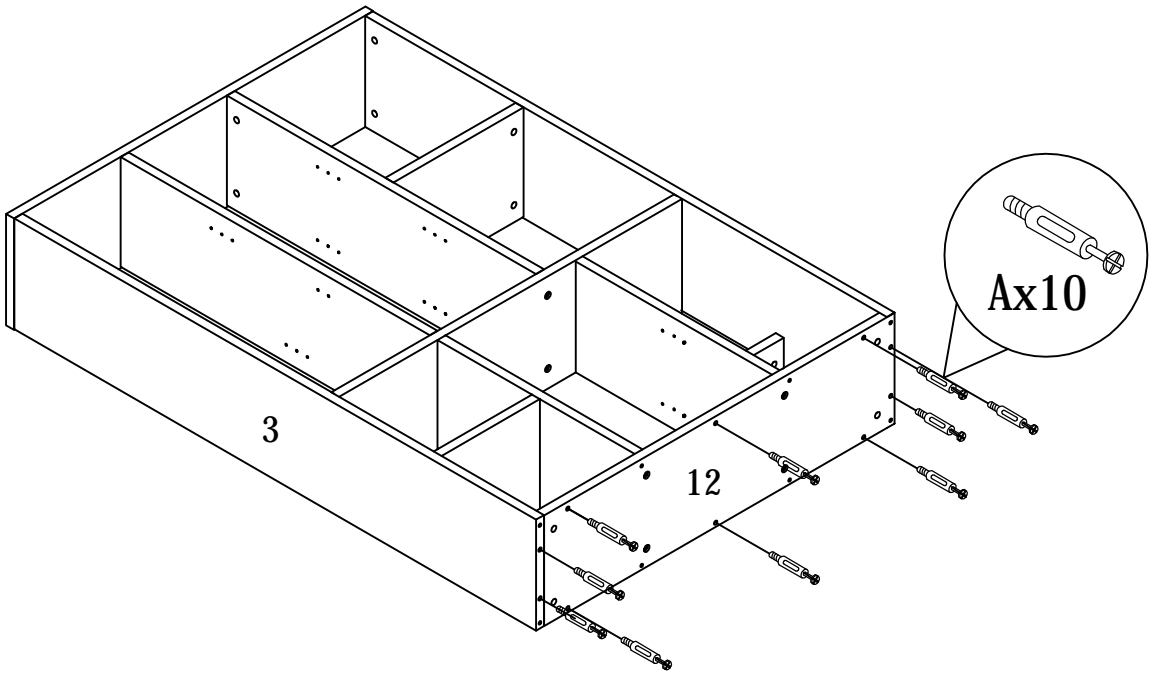
ASSEMBLY INSTRUCTION

ITEM#: 161755



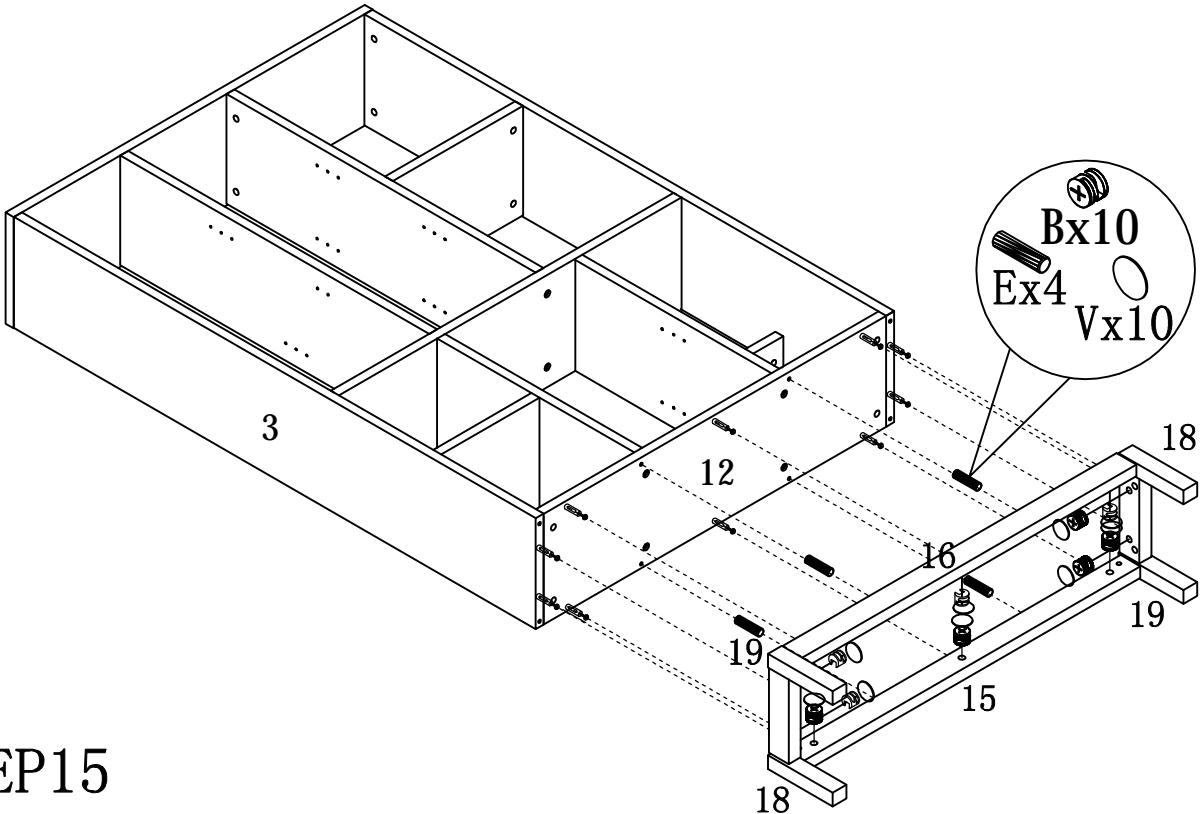
STEP 13

STEP 14



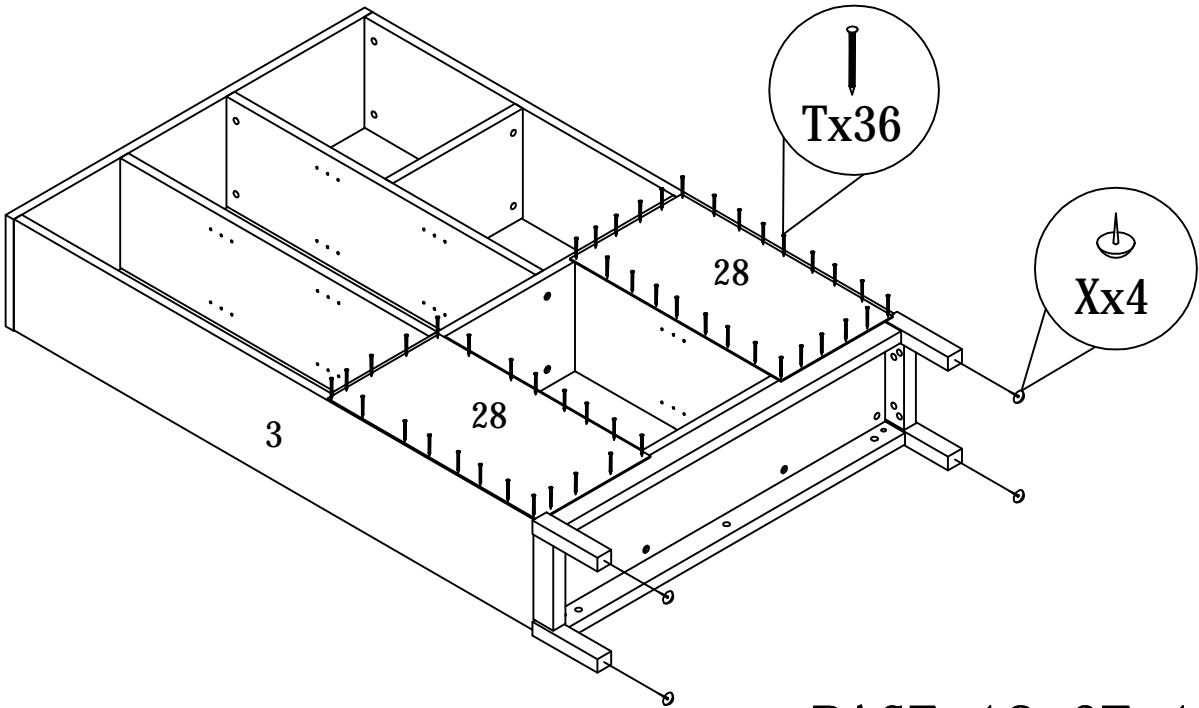
ASSEMBLY INSTRUCTION

ITEM#: 161755



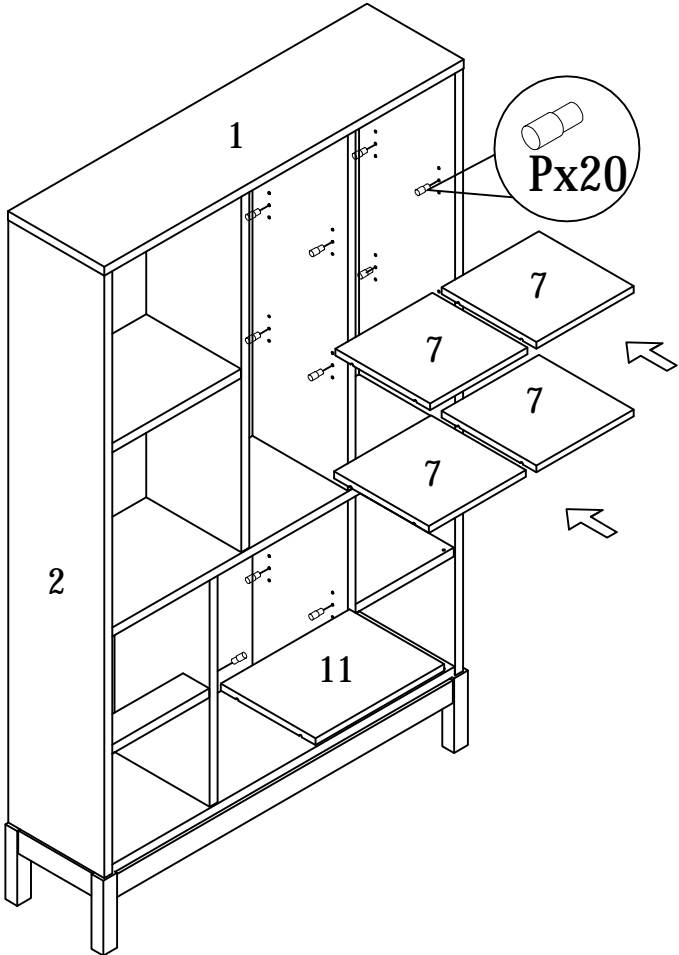
STEP 15

STEP 16



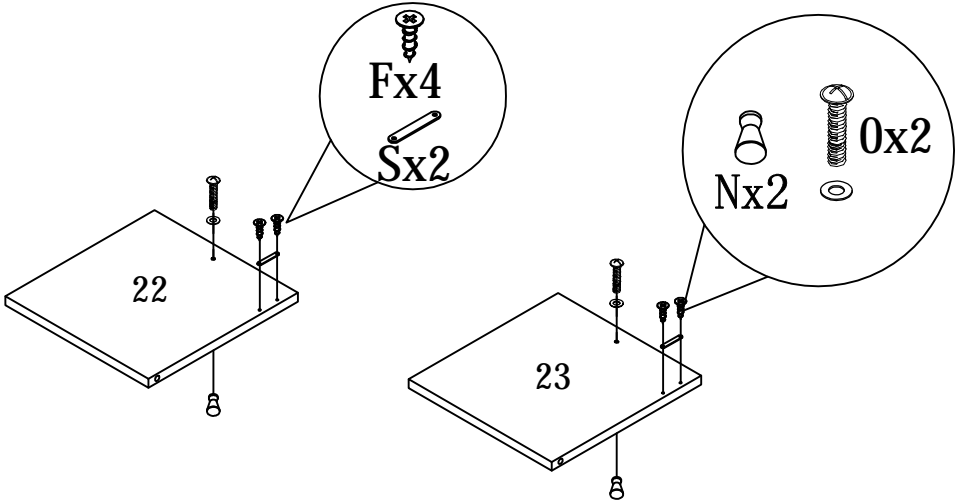
ASSEMBLY INSTRUCTION

ITEM#: 161755



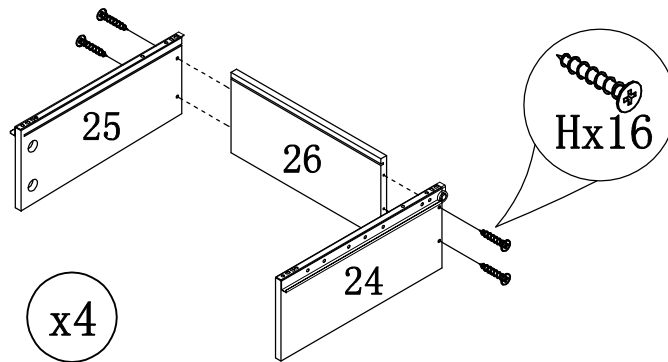
STEP 17

STEP 18



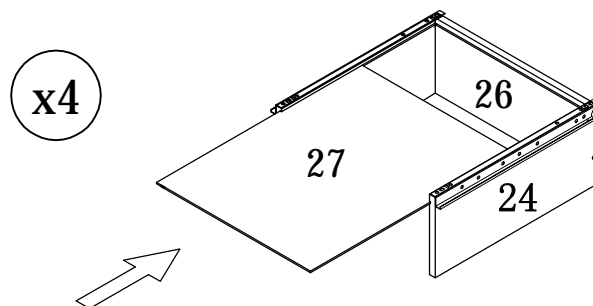
ASSEMBLY INSTRUCTION

ITEM#: 161755



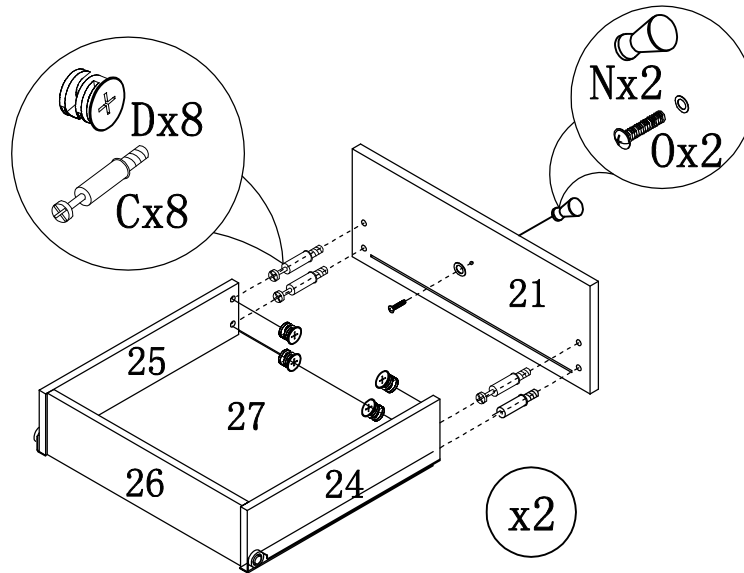
STEP19

STEP20



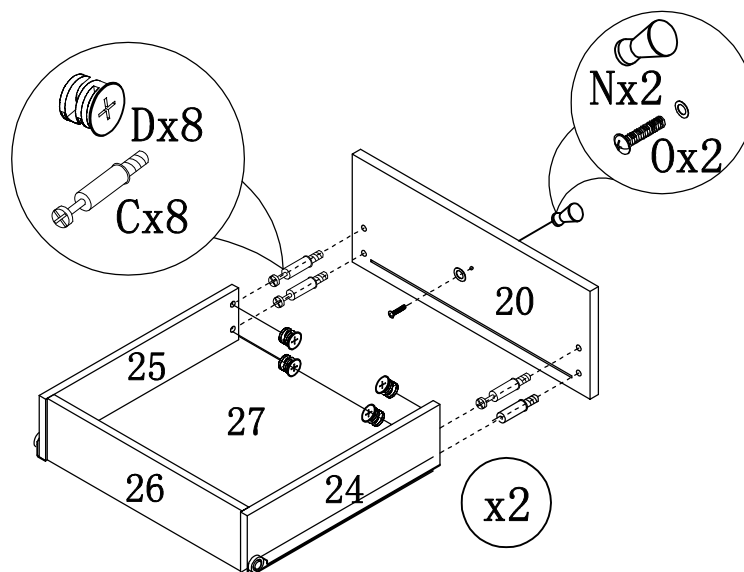
ASSEMBLY INSTRUCTION

ITEM#: 161755



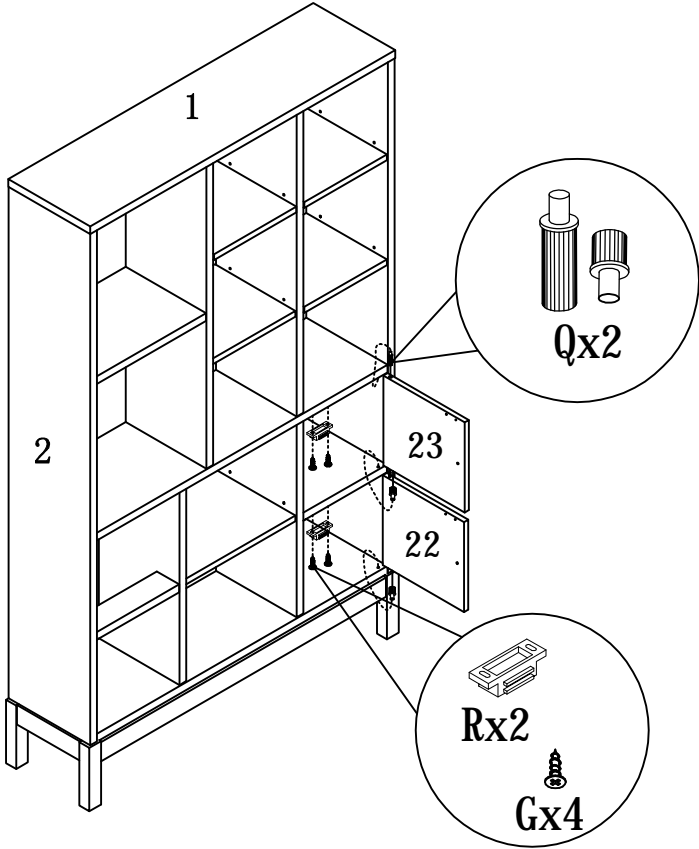
STEP21

STEP22



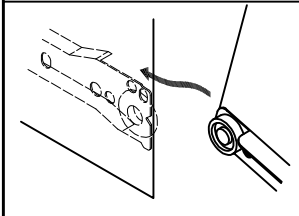
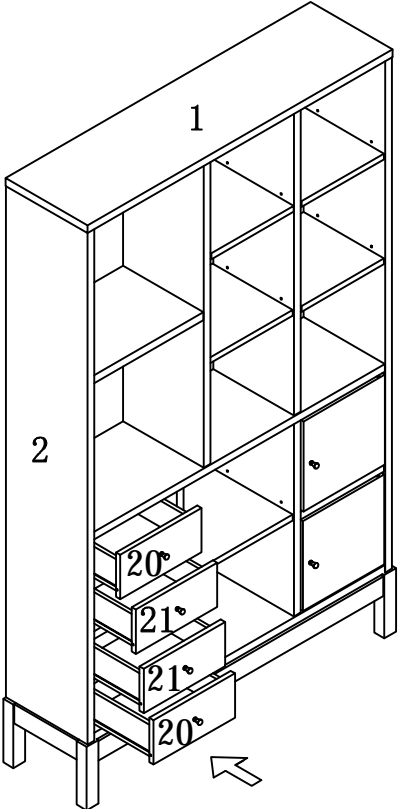
ASSEMBLY INSTRUCTION

ITEM#: 161755



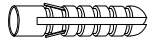
STEP23

STEP24

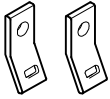


ANTI-TIPPING STRAP INSTRUCTION

HARDWARE (INCLUDED) :



DRYWALL ANCHOR $\phi 8 \times 40$ X 1PC



METAL BRACKETS $12 \times 12 \times 1$ X 2PCS



DRYWALL SCREW $\phi 5 \times 40$ X 1PC

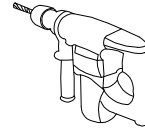


STRAP $197 \times 5 \times 1$ X 1PC



FLATHEAD SCREW $\phi 4 \times 25$ X 1PC

TOOLS NEEDED (NOT INCLUDED) :



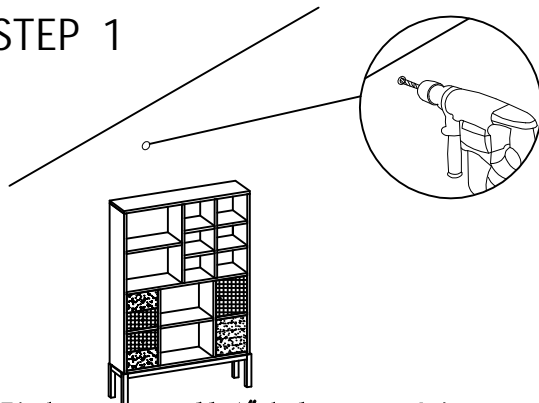
DRILL & DRILL BIT



LIGHT HAMMER

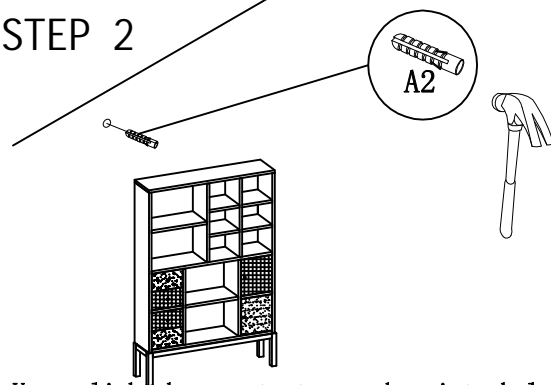
Note: Hardware included only compatible with standard drywalls.

STEP 1



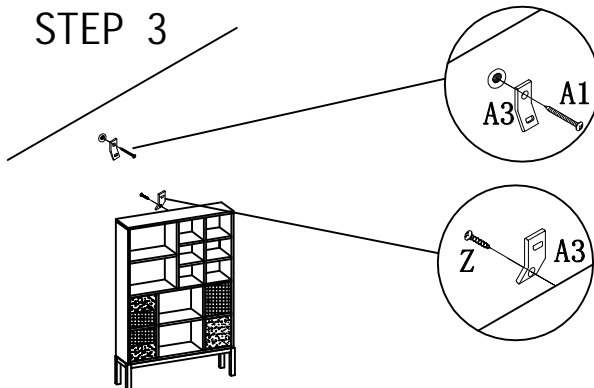
1. Find spot on wall 1" below top of item.
2. Using a drill bit slightly thinner than anchor, drill hole into drywall.

STEP 2



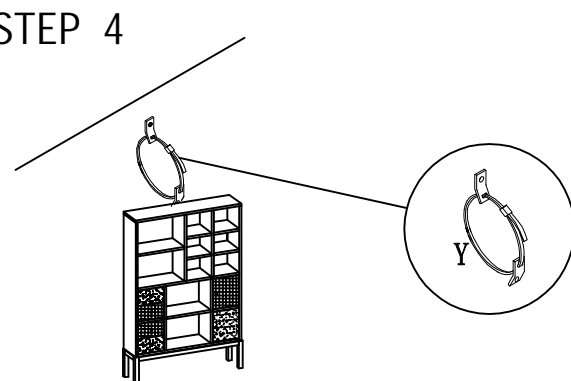
1. Use a light hammer to tap anchor into hole.
2. Anchor should fit snugly. If hole is too small, drill again to increase hole size. Do not force anchor into wall.

STEP 3



1. Insert drywall screw into metal bracket and into drywall anchor.
2. Insert flathead screw into second metal bracket and into back of item, along top edge.

STEP 4



1. Insert strap thru bracket attached to wall, then thru bracket on item, and into head of strap.
 2. pull lightly til strap stops.
- Assembly is complete.