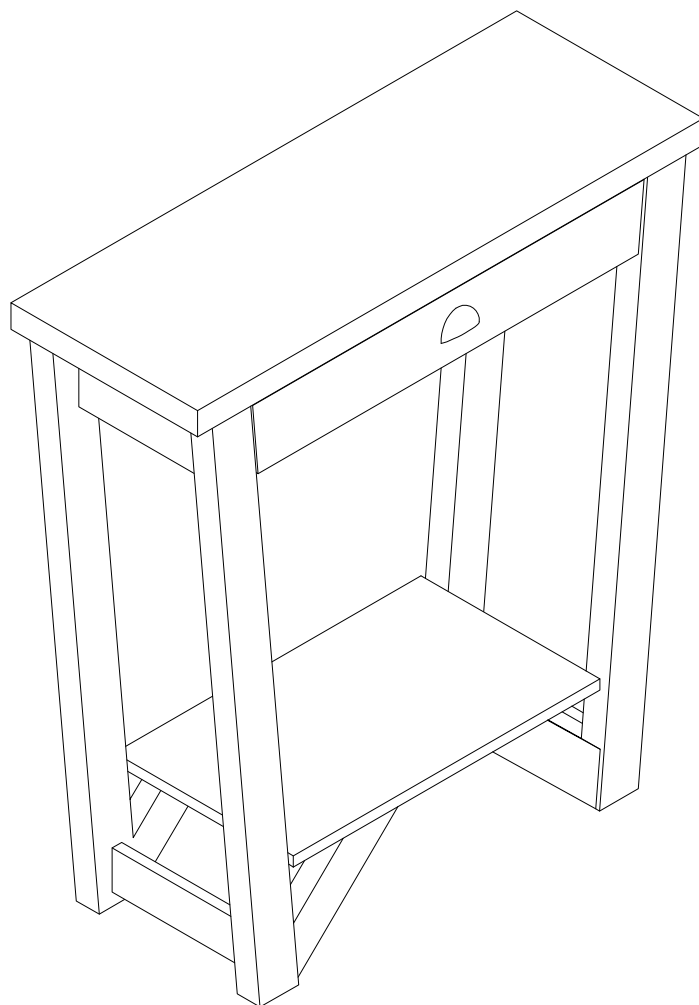


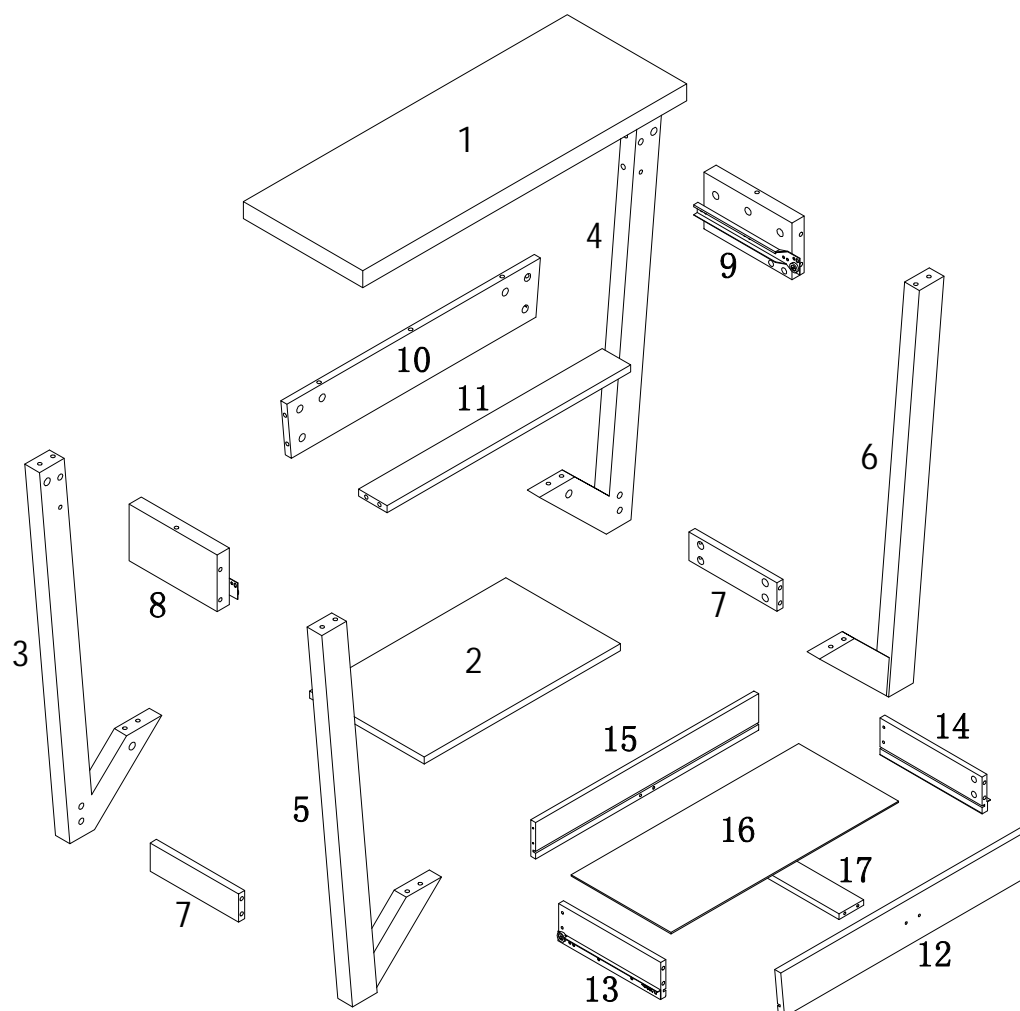
ASSEMBLY INSTRUCTIONS / INSTRUCTIONS D'ASSEMBLAGE

ITEM# 161779



PARTS IDENTIFICATIONS / IDENTIFICATION DES PIECES

ITEM NO/NO ARTICLE: COL35CON/161617/16100



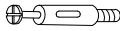


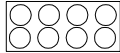



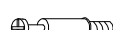









| | |
|-----|----------|
| (1) | 1pc/pce |
| (2) | 1pc/pce |
| (3) | 1pc/pce |
| (4) | 1pc/pce |
| (5) | 1pc/pce |
| (6) | 1pc/pce |
| (7) | 2pcs/pce |

| | |
|------|---------|
| (8) | 1pc/pce |
| (9) | 1pc/pce |
| (10) | 1pc/pce |
| (11) | 1pc/pce |
| (12) | 1pc/pce |
| (13) | 1pc/pce |
| (14) | 1pc/pce |

| | |
|------|---------|
| (15) | 1pc/pce |
| (16) | 1pc/pce |
| (17) | 1pc/pce |

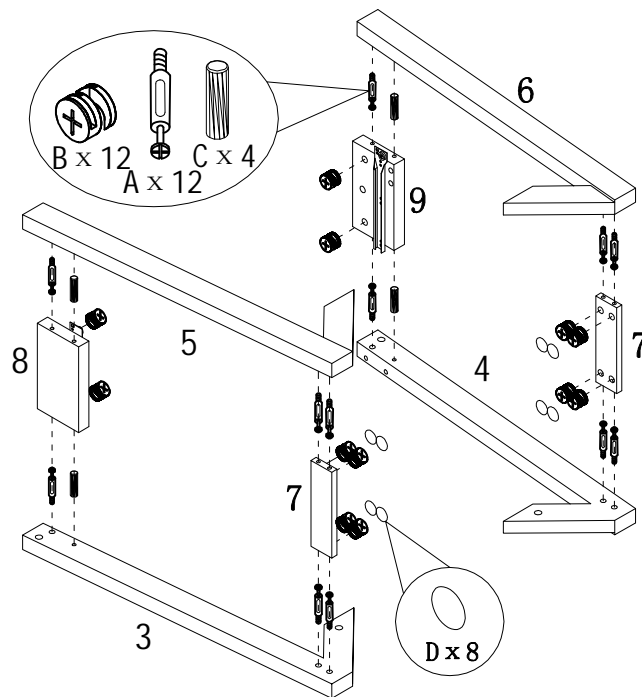
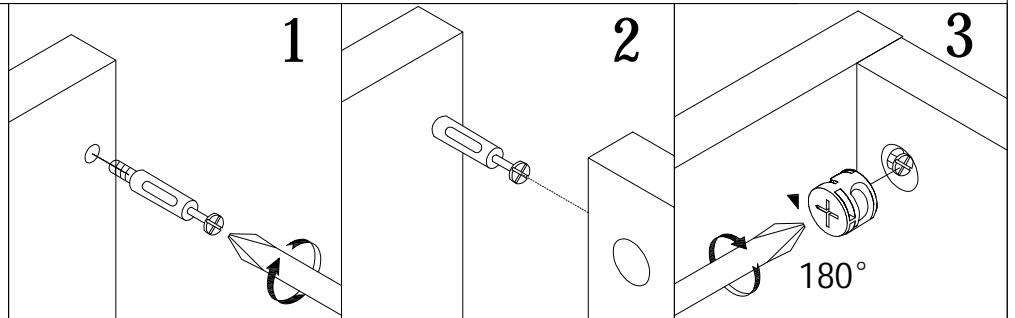
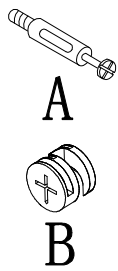
HARDWARE IDENTIFICATIONS/ IDENTIFICATION DU KIT D'ASSEMBLAGE

ITEM NO/NO ARTICLE: COL35CON/161617/16100

| | | | |
|---|---|--|------------|
| A |  | L29 | 32pcs/pces |
| B |  | Ø15 | 32pcs/pces |
| C |  | Ø8x25 | 13pcs/pces |
| D |  | Ø22 | 16pcs/pces |
| E |  | Ø16 | 4pcs/pces |
| F |  | Ø4x30 | 6pcs/pces |
| G |  | Ø6x30 | 2pcs/pces |
| H |  | L20 | 4pcs/pces |
| I |  | Ø12 | 4pcs/pces |
| J |  | #64 | 1pc/pces |
| K |  | Ø4x16 | 2pcs/pces |
| L |  | Ø8x40 | 1pc/pces |
| M |  | Ø12x12x1 | 2pcs/pces |
| N |  | Ø5x40 | 1pc/pces |
| O |  | Ø4x25 | 1pc/pces |
| P |  | 197×5×1 | 1pc/pces |
| Q |  | <p>Glue: For securing please apply to wood dowel first before inserting into panel. Colle: Appliquez de la colle sur les goujons en bois avant de les insérer dans le panneau.</p> | 1pc/pces |

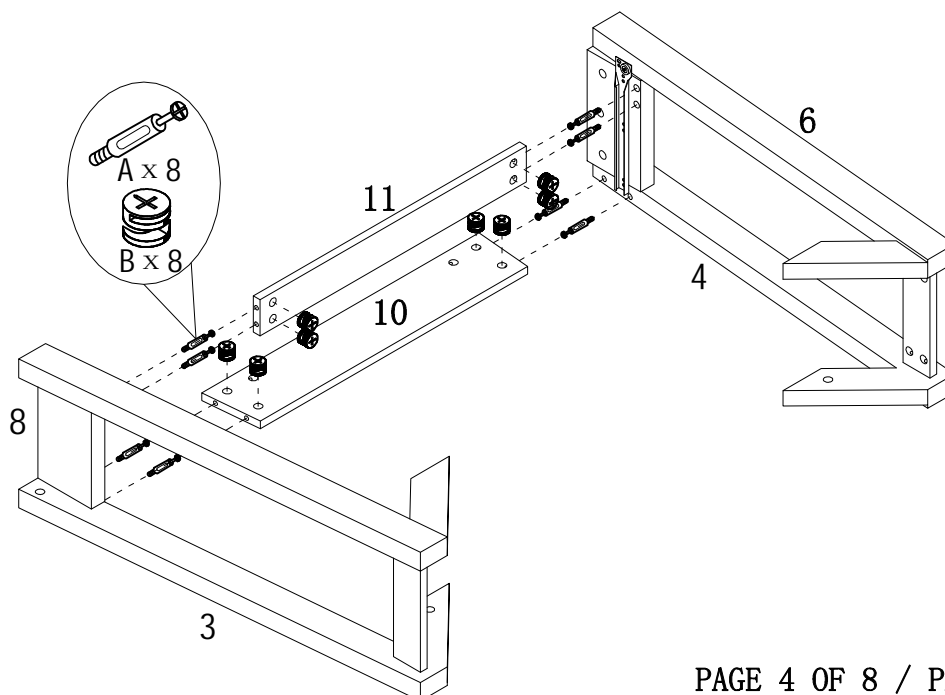
ITEM NO/NO ARTICLE: COL35CON/161617/16100

HOW TO

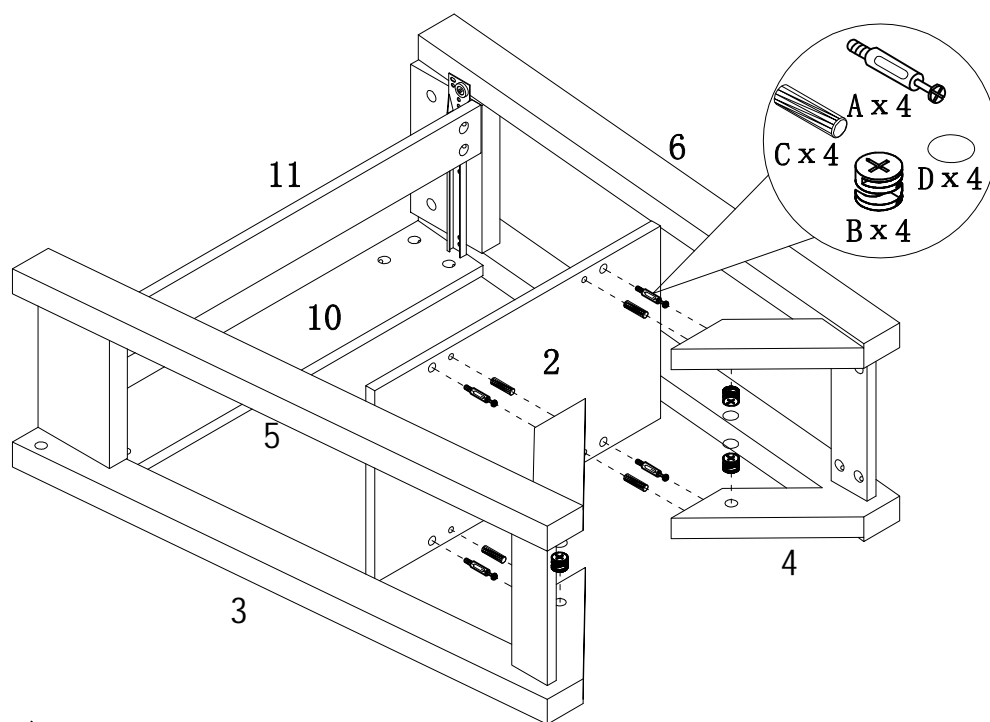


STEP 1 / ETAPE 1

STEP 2 / ETAPE 2

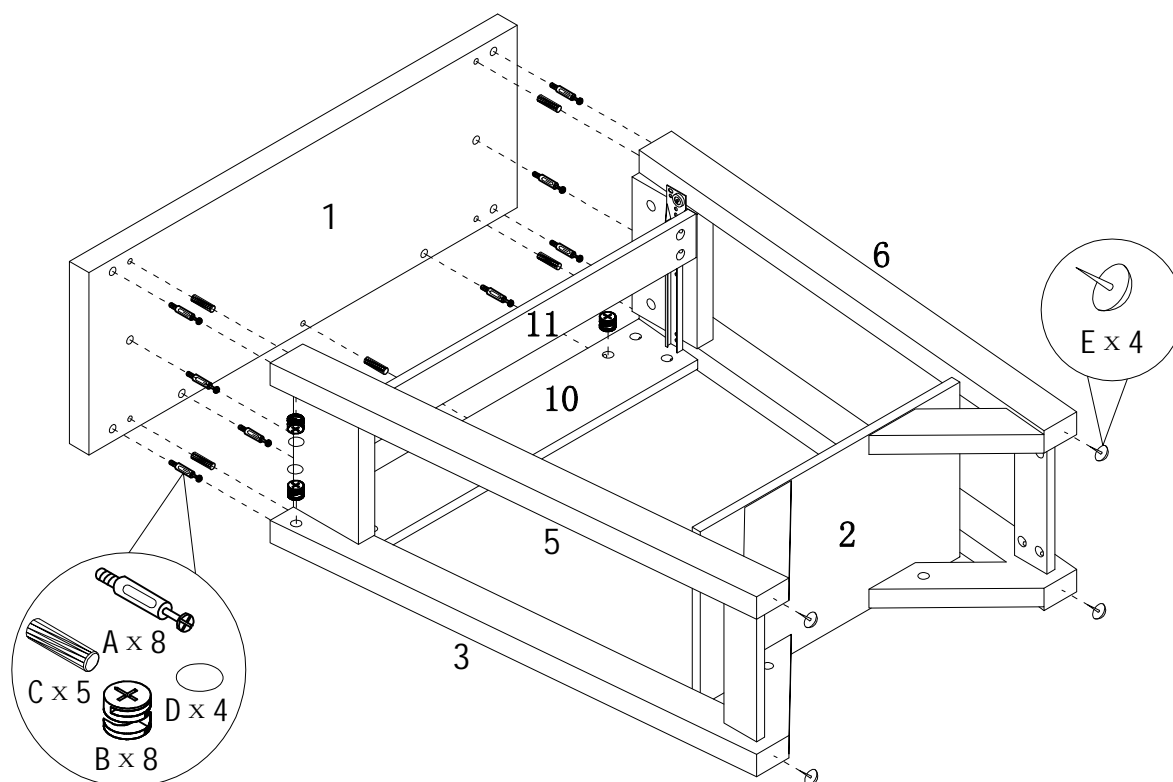


ITEM NO/NO ARTICLE: COL35CON/161617/16100

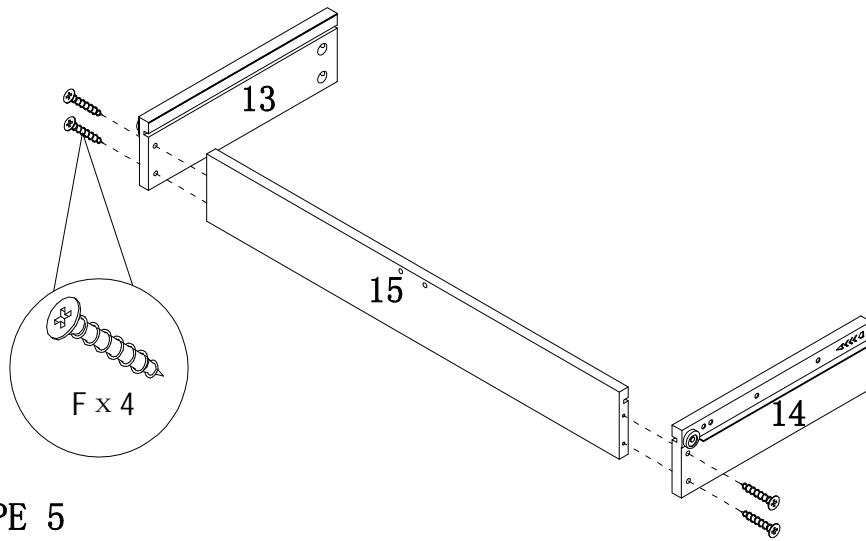


STEP 3 / ETAPE 3

STEP 4 / ETAPE 4

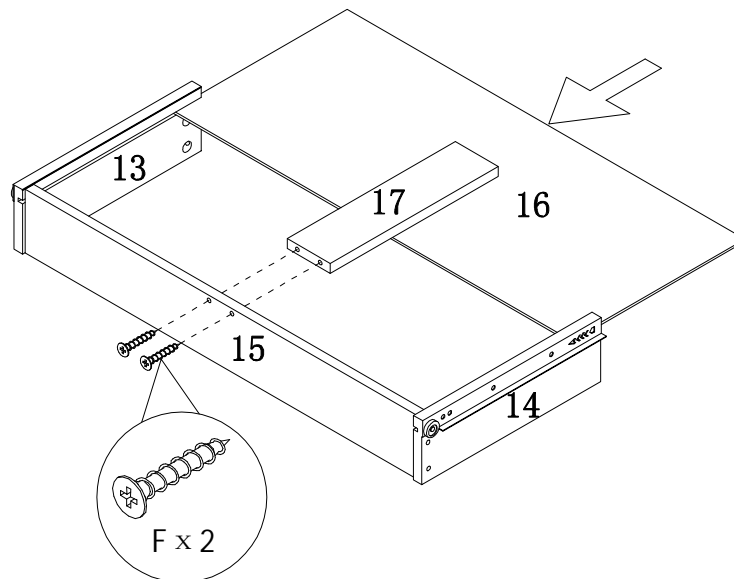


ITEM NO/NO ARTICLE: COL35CON/161617/16100

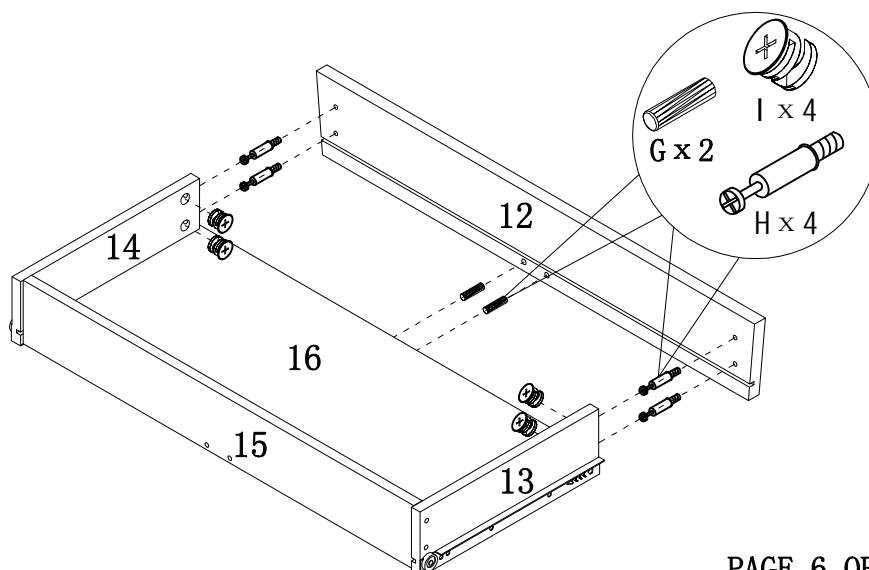


STEP 5 / ETAPE 5

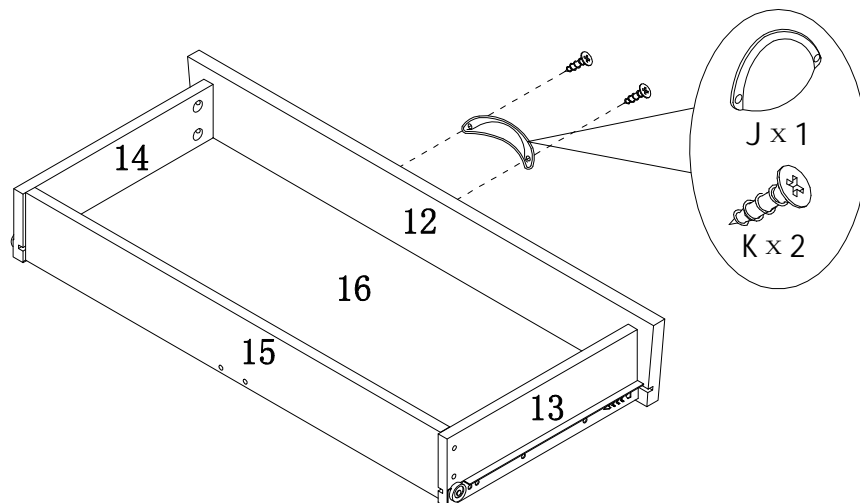
STEP 6 / ETAPE 6



STEP 7 / ETAPE 7

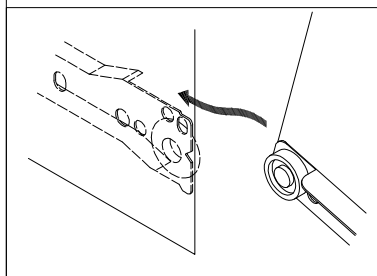
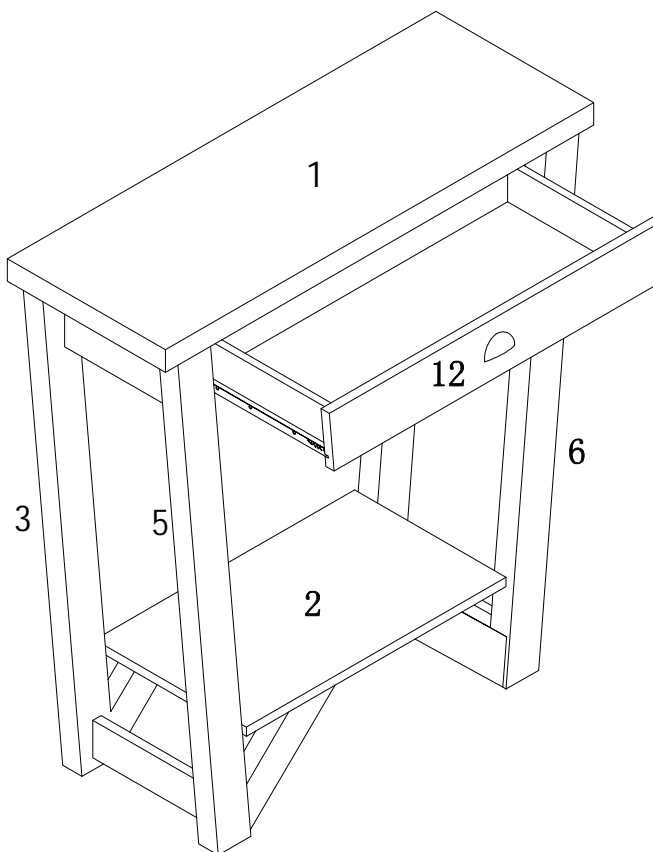


ITEM NO/NO ARTICLE: COL35CON/161617/16100



STEP 8 / ETAPE 8

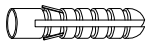
STEP 9 / ETAPE 9



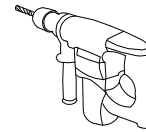
ANTI-TIPPING STRAP INSTRUCTION

HARDWARE (INCLUDED) :

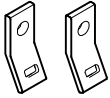
TOOLS NEEDED (NOT INCLUDED) :



DRYWALL ANCHOR $\phi 8 \times 40$ X 1PC



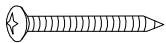
DRILL & DRILL BIT



METAL BRACKETS $12 \times 12 \times 1$ X 2PCS



LIGHT HAMMER



DRYWALL SCREW $\phi 5 \times 40$ X 1PC



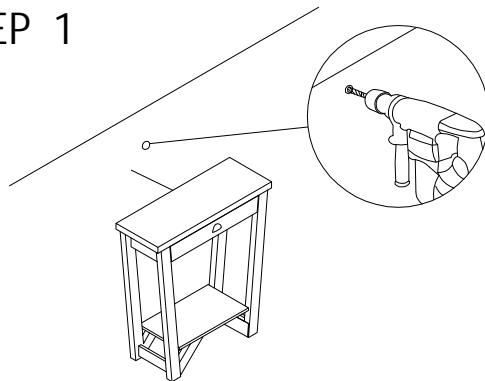
STRAP $197 \times 5 \times 1$ X 1PC



FLATHEAD SCREW $\phi 4 \times 25$ X 1PC

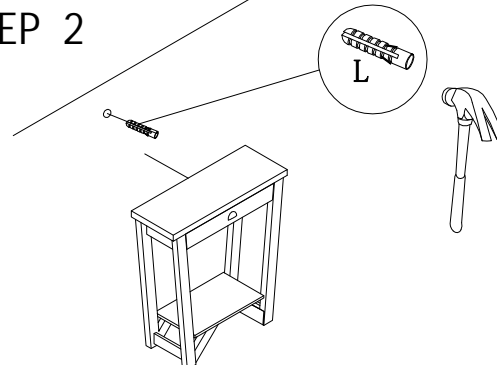
Note: Hardware included only compatible with standard drywalls.

STEP 1



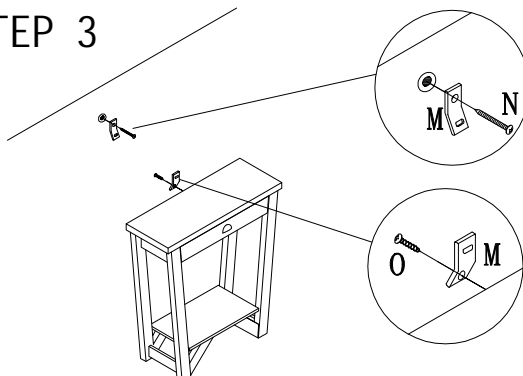
1. Find spot on wall 1" below top of item.
2. Using a drill bit slightly thinner than anchor, drill hole into drywall.

STEP 2



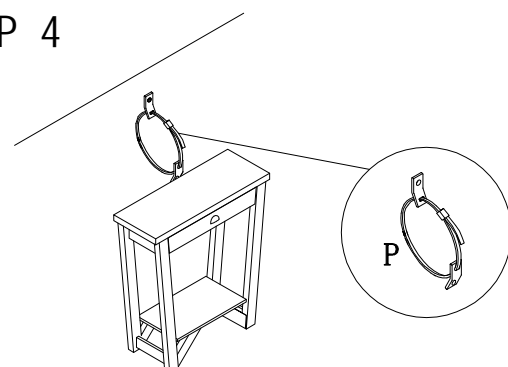
1. Use a light hammer to tap anchor into hole.
2. Anchor should fit snugly. If hole is too small, drill again to increase hole size. Do not force anchor into wall.

STEP 3



1. Insert drywall screw into metal bracket and into drywall anchor.
2. Insert flathead screw into second metal bracket and into back of item along top edge.

STEP 4



1. Insert strap thru bracket attached to wall, then thru bracket on item, and into head of strap.
 2. pull lightly til strap stops.
- Assembly is complete.