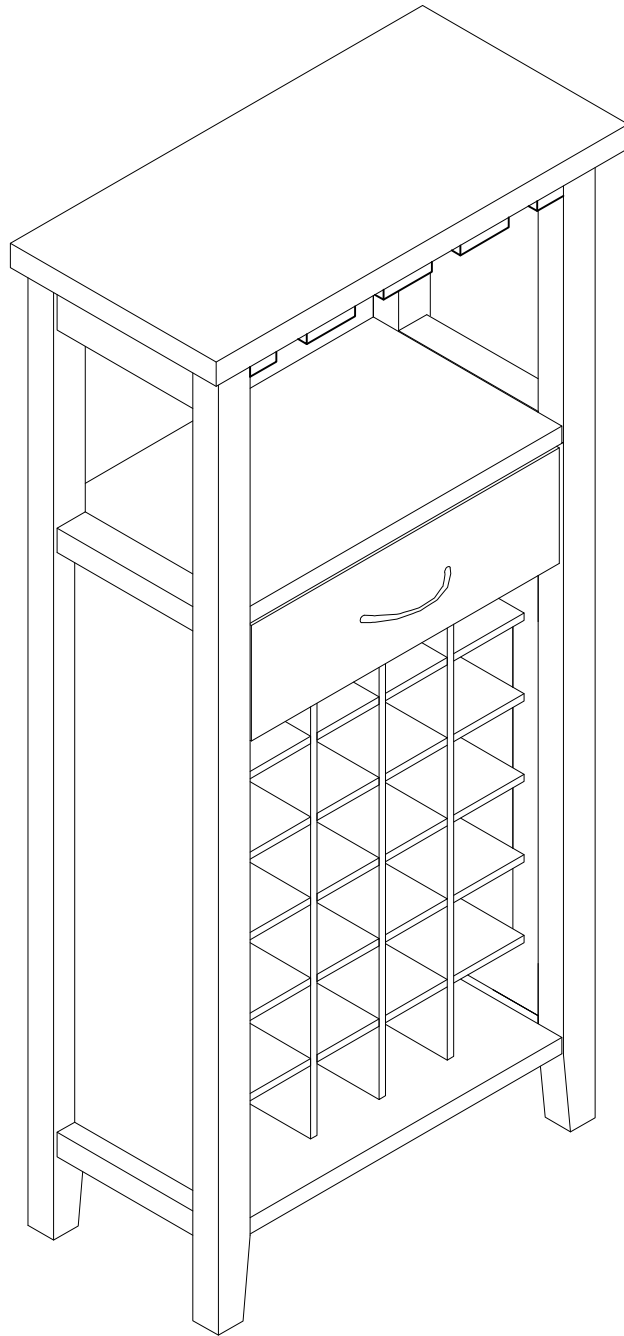


ASSEMBLY INSTRUCTION

ITEM# 161814 171911



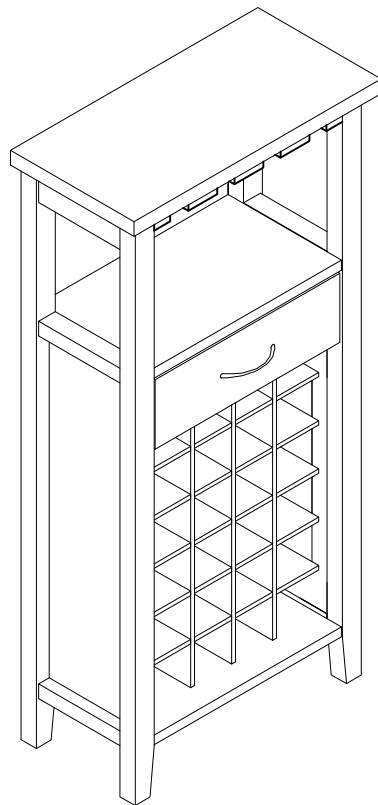
ASSEMBLY INSTRUCTION

PLEASE READ BEFORE ASSEMBLING!

Tip #1: Make sure you've taken all the pieces and hardware out of its packaging before discarding the box.

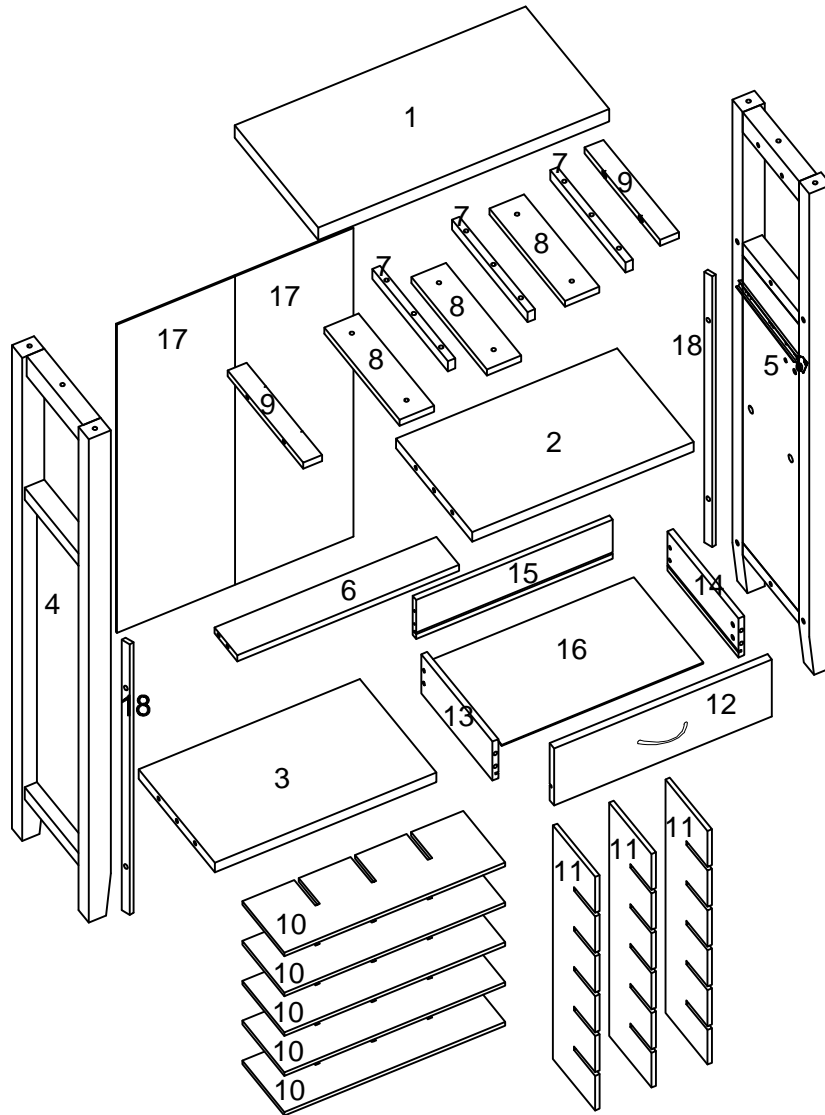
Tip #2: Using page 2 and/or page 3 of instruction manual make sure all pieces and hardware are accounted for.

ITEM#:161814



PARTS IDENTIFICATION




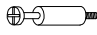

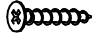

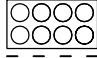






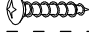
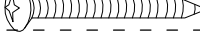
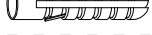


ITEM#:161814



(1)	1pc	(8)	3pcs	(15)	1pc
(2)	1pc	(9)	2pcs	(16)	1pc
(3)	1pc	(10)	5pcs	(17)	2pcs
(4)	1pc	(11)	3pcs	(18)	2pcs
(5)	1pc	(12)	1pc		
(6)	1pc	(13)	1pc		
(7)	3pcs	(14)	1pc		

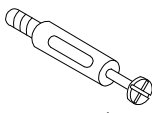
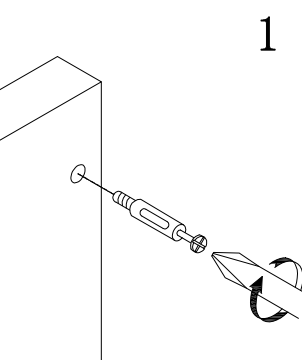
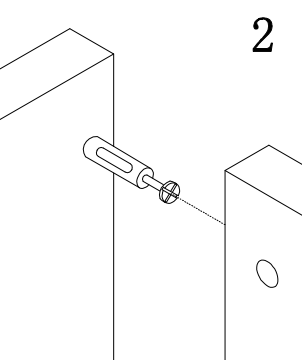
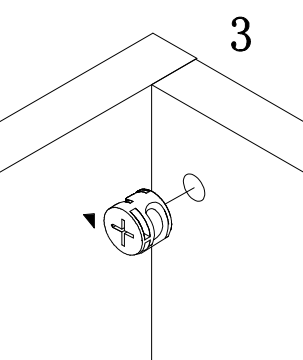
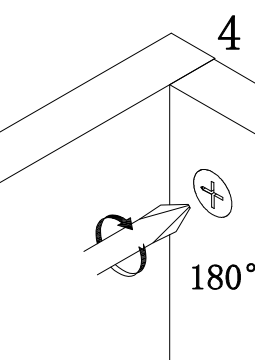
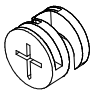
HARDWARE IDENTIFICATION

ITEM#:161814

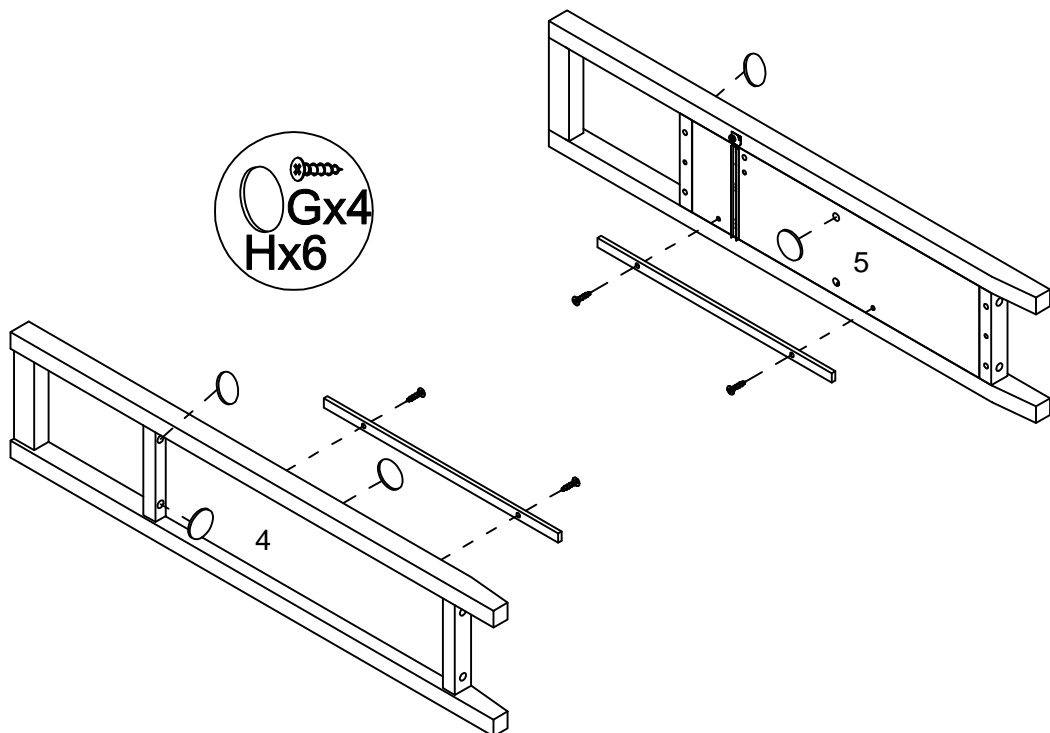
A		L29	14PCS
B		$\Phi 15$	14PCS
C		$\Phi 8 \times 25$	7PCS
D		L20	8PCS
E		$\Phi 12$	8PCS
F		$\Phi 4 \times 30$	4PCS
G		$\Phi 4 \times 20$	4PCS
H		$\Phi 22 (RC)$	20PCS
I			1PC
J			2PCS
K		M6x45	6PCS
L			22PCS
M		$\Phi 16$	4PCS
N		197×5×1	1PC
O		$\varnothing 4 \times 25$	1PC
P		$\varnothing 5 \times 40$	1PC
Q		$\varnothing 8 \times 40$	1PC
R		12×12×1	2PCS
S		Glue: For securing please apply to wood dowel first before inserting into panel	1PCS

HARDWARE IDENTIFICATION

ITEM#:161814

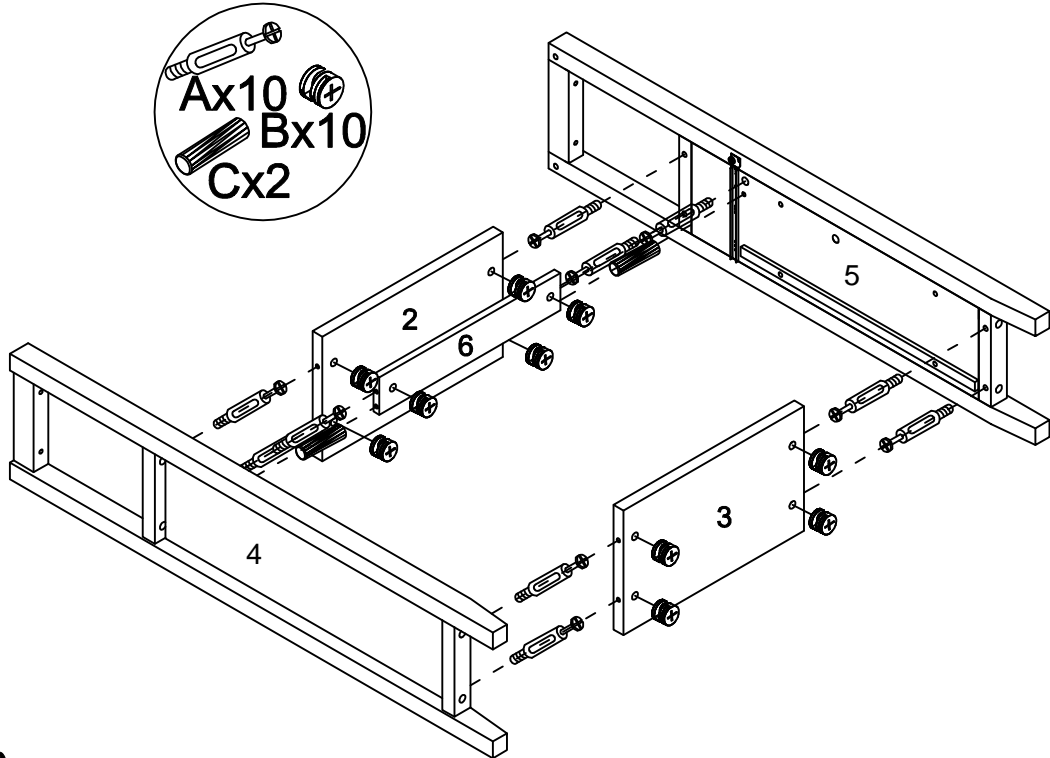
HOW TO	1	2	3	4
 Cam Bolt				
 Cam Lock	1. Screw Cam Bolt into panel.	2. Insert Cam Bolt into bolt hole of joining panel.	3. Insert Cam Lock. arrow facing bolt.	4. Gently turn Cam Lock clockwise to lock position.

STEP 1



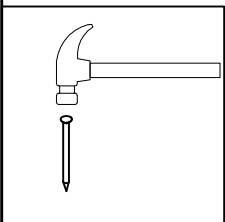
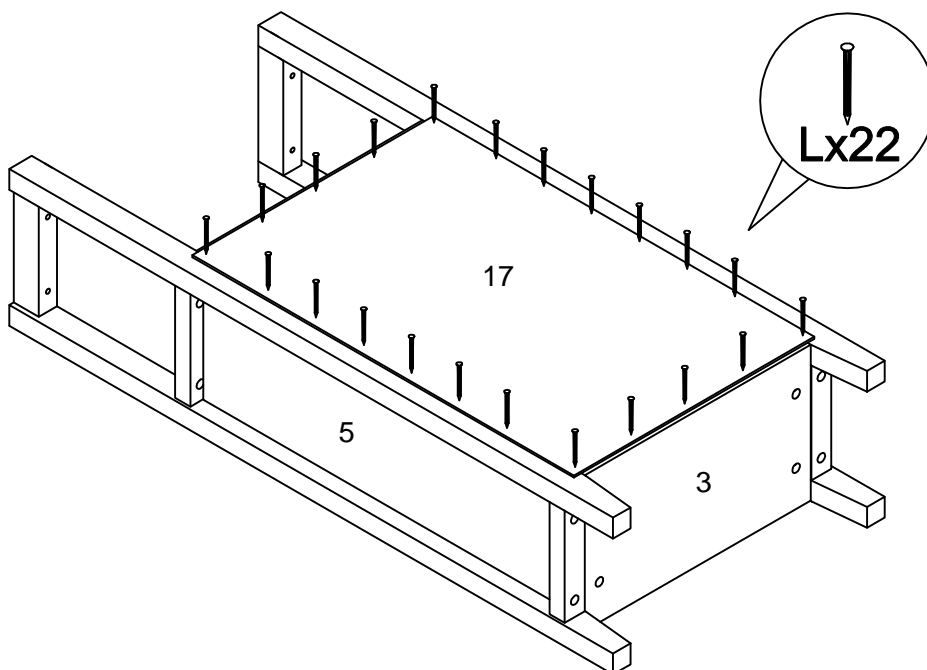
HARDWARE IDENTIFICATION

ITEM#:161814



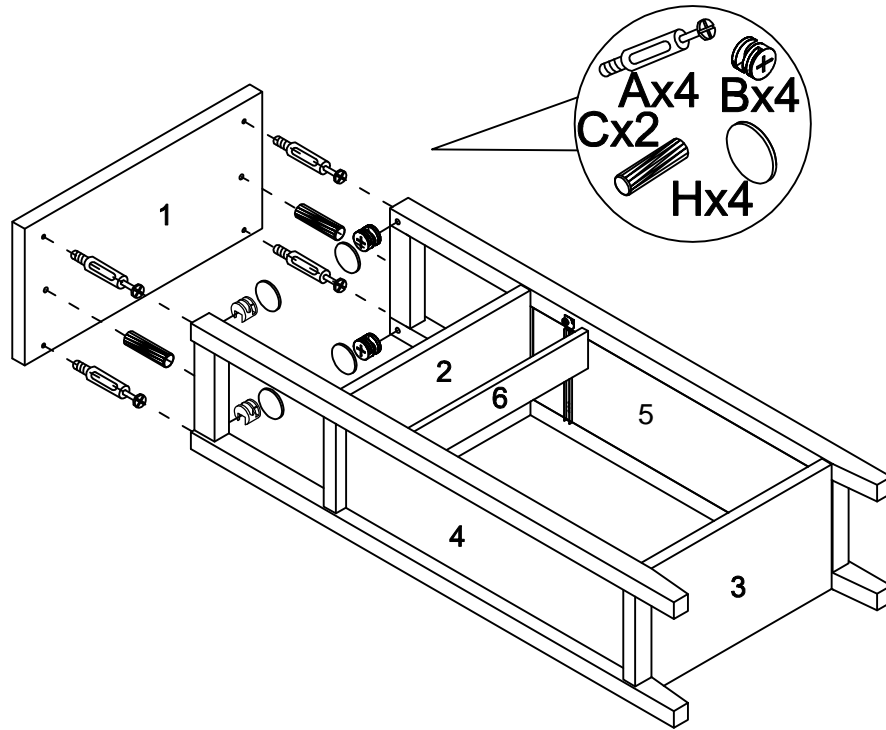
STEP2

STEP3



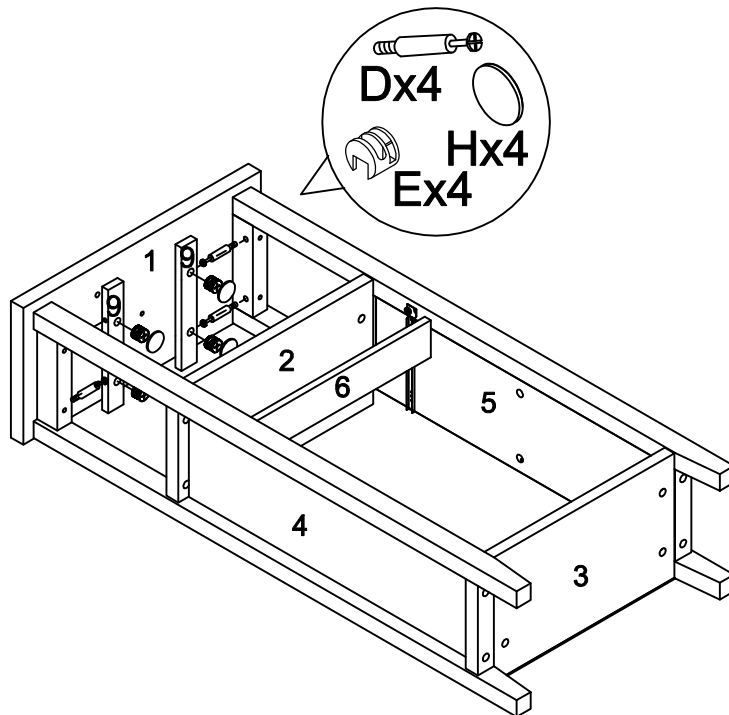
HARDWARE IDENTIFICATION

ITEM#:161814



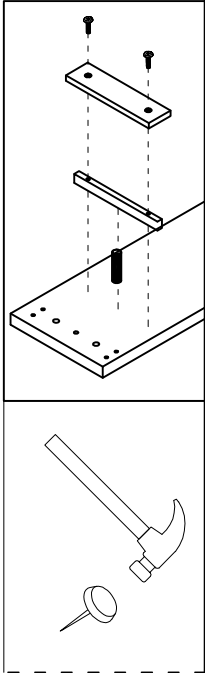
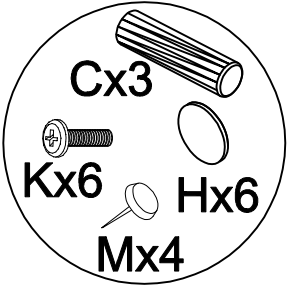
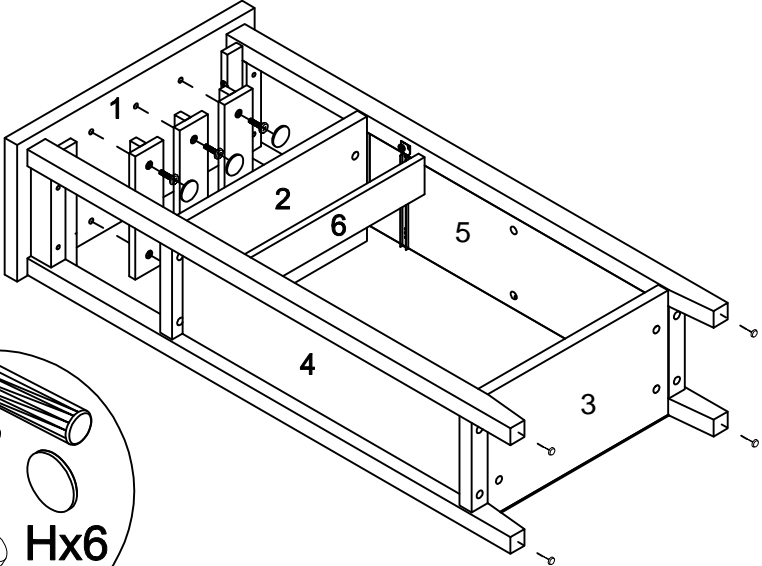
STEP4

STEP5



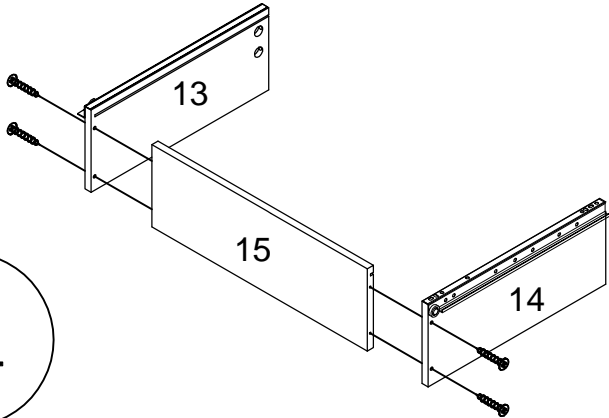
HARDWARE IDENTIFICATION

ITEM#:161814



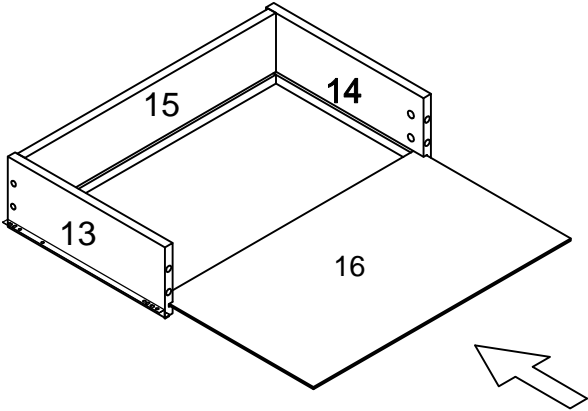
STEP4

STEP5



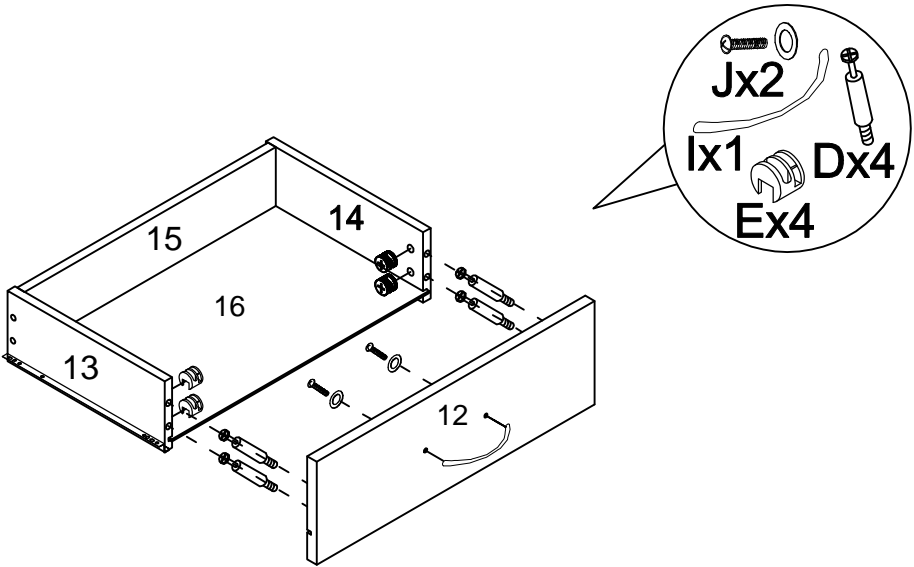
HARDWARE IDENTIFICATION

ITEM#:161814



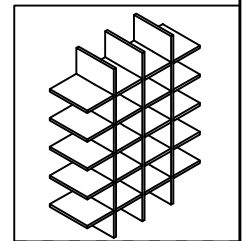
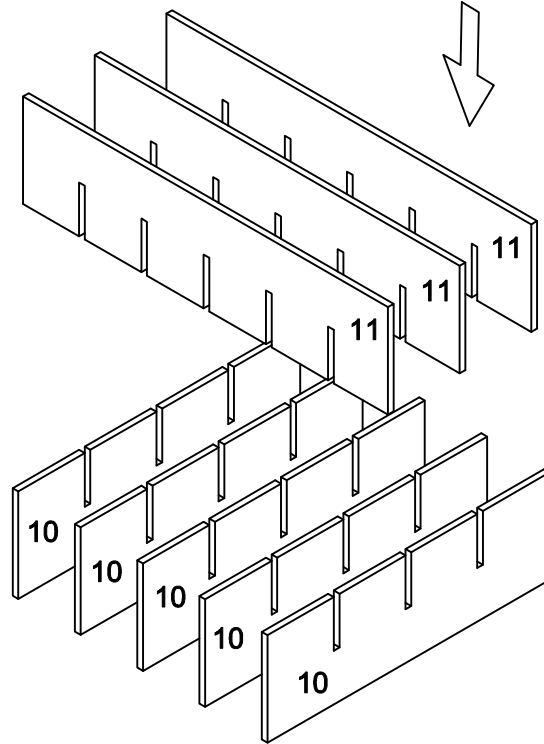
STEP6

STEP7



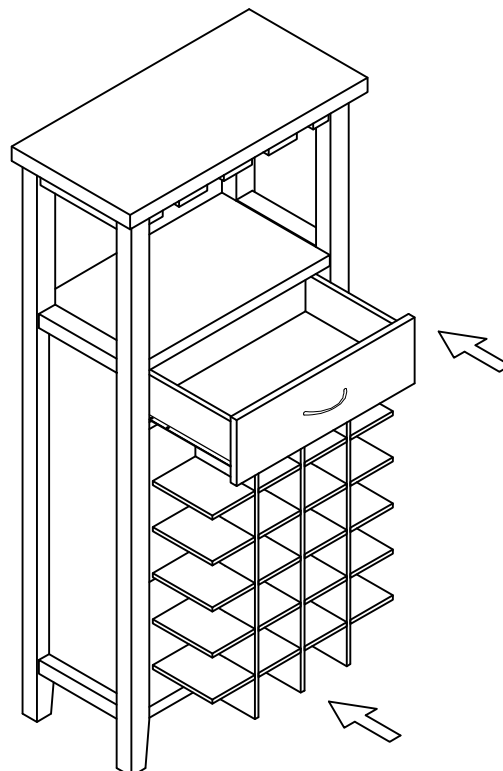
ASSEMBLY INSTRUCTION

ITEM#: 161814



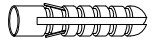
STEP6

STEP7

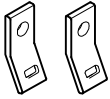


ANTI-TIPPING STRAP INSTRUCTION

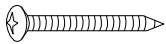
HARDWARE (INCLUDED) :



DRYWALL ANCHOR $\phi 8 \times 40$ X 1PC



METAL BRACKETS $12 \times 12 \times 1$ X 2PCS



DRYWALL SCREW $\phi 5 \times 40$ X 1PC

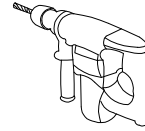


STRAP $197 \times 5 \times 1$ X 1PC

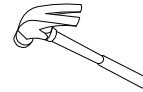


FLATHEAD SCREW $\phi 4 \times 25$ X 1PC

TOOLS NEEDED (NOT INCLUDED) :



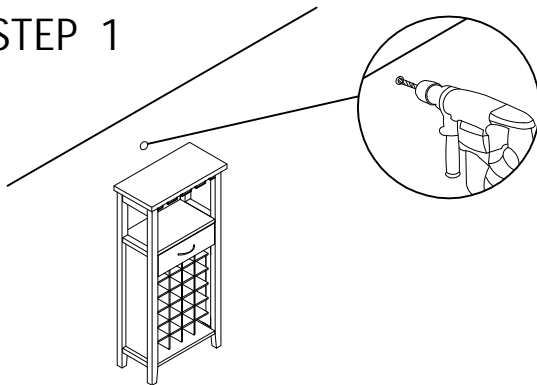
DRILL & DRILL BIT



LIGHT HAMMER

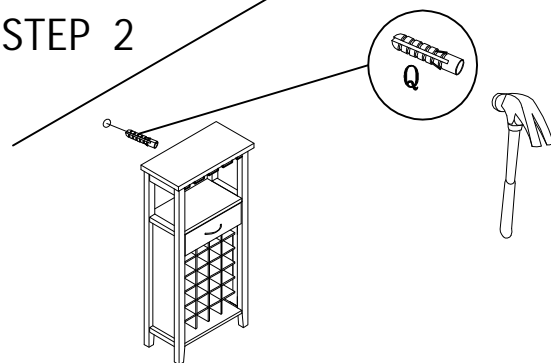
Note: Hardware included only compatible with standard drywalls.

STEP 1



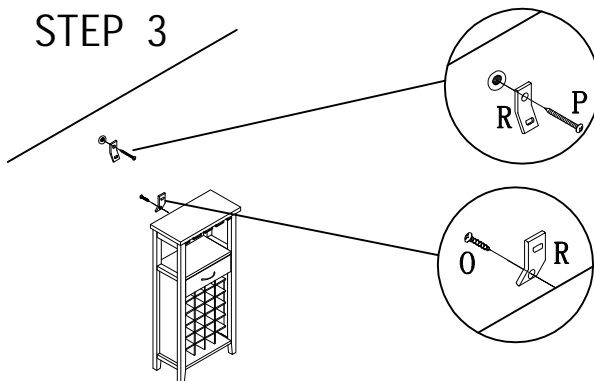
1. Find spot on wall 1" below top of item.
2. Using a drill bit slightly thinner than anchor, drill hole into drywall.

STEP 2



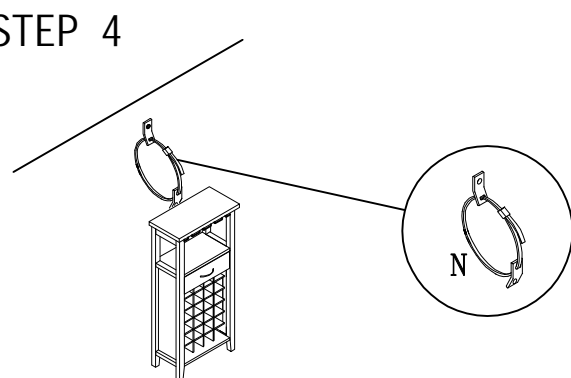
1. Use a light hammer to tap anchor into hole.
2. Anchor should fit snugly. If hole is too small, drill again to increase hole size. Do not force anchor into wall.

STEP 3



1. Insert drywall screw into metal bracket and into drywall anchor.
2. Insert flathead screw into second metal bracket and into back of item, along top edge.

STEP 4



1. Insert strap thru bracket attached to wall, then thru bracket on item, and into head of strap.
 2. pull lightly til strap stops.
- Assembly is complete.