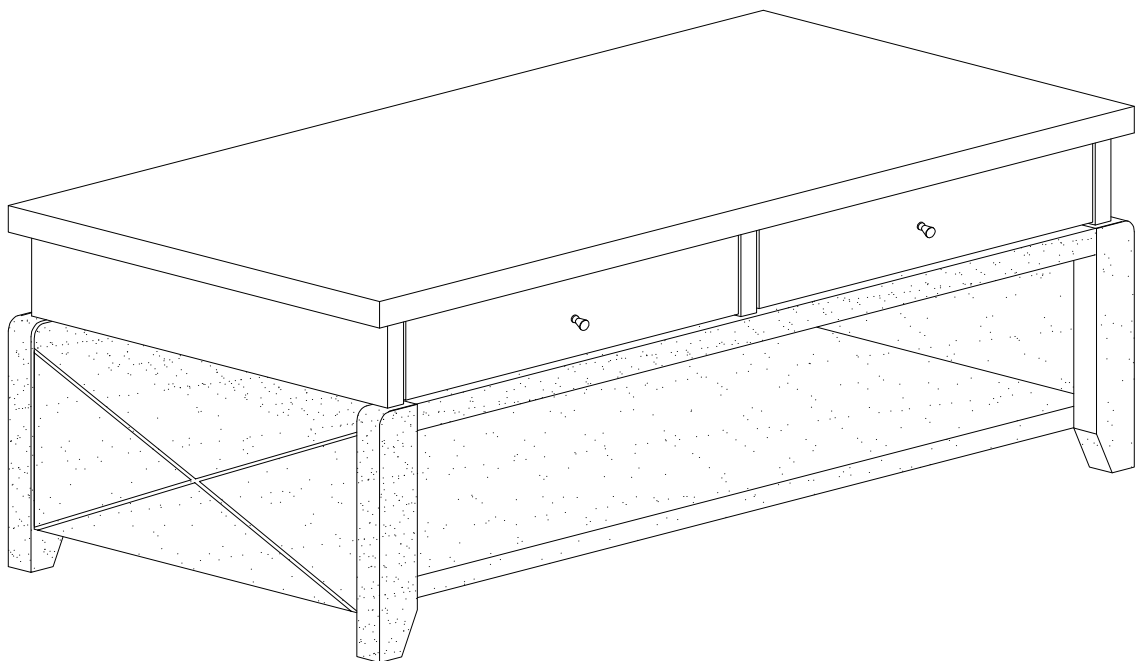


ASSEMBLY INSTRUCTION

ITEM#:161827CT



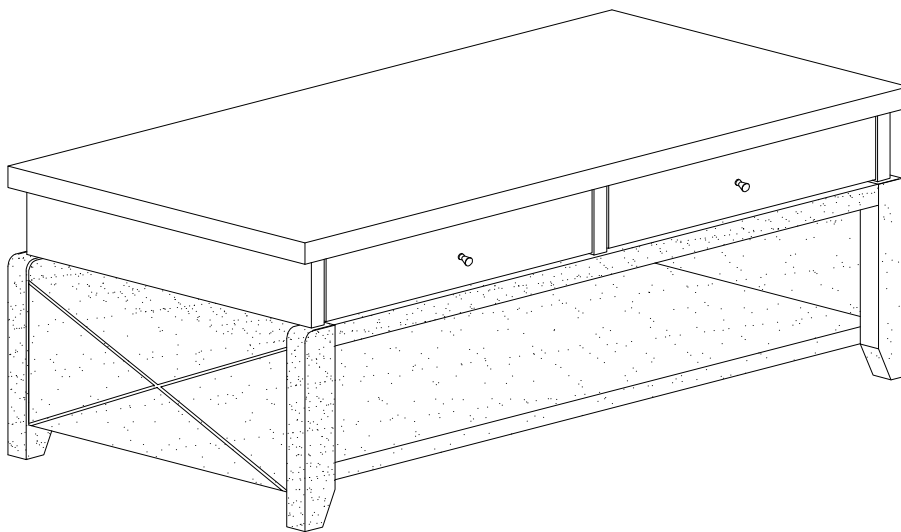
ASSEMBLY INSTRUCTION

PLEASE READ BEFORE ASSEMBLING!

Tip #1: Make sure you've taken all the pieces and hardware out of its packaging before discarding the box.

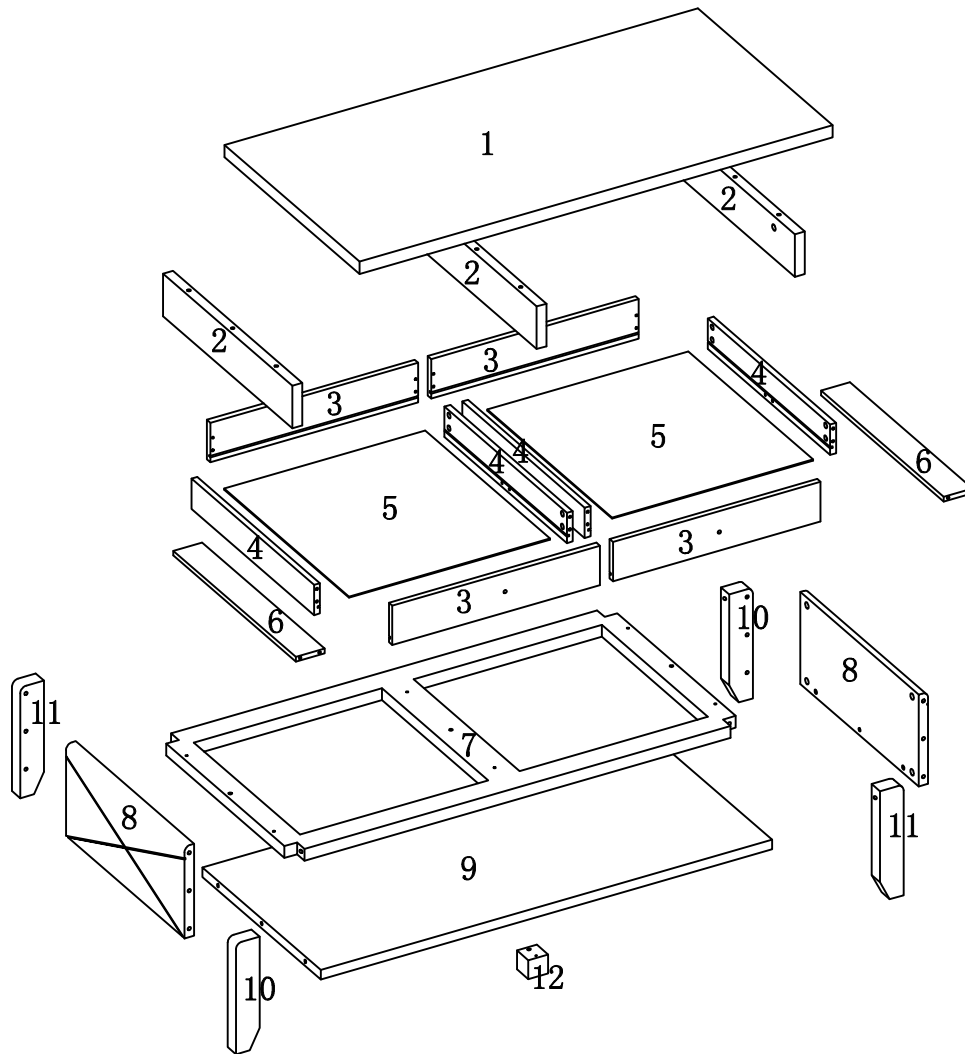
Tip #2: Using page 2 and/or page 3 of instruction manual make sure all pieces and hardware are accounted for.

ITEM#:161827CT



PARTS IDENTIFICATION




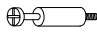


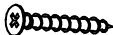




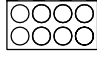


ITEM#:161827CT



(1)	1pc	(8)	2pcs
(2)	3pcs	(9)	1pc
(3)	4pcs	(10)	2pcs
(4)	4pcs	(11)	2pcs
(5)	2pcs	(12)	1pc
(6)	2pcs		
(7)	1pc		

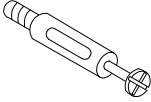

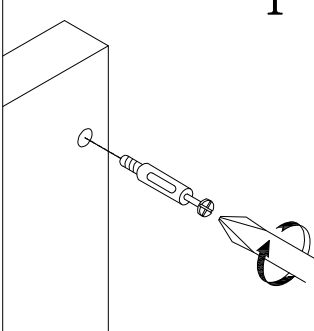
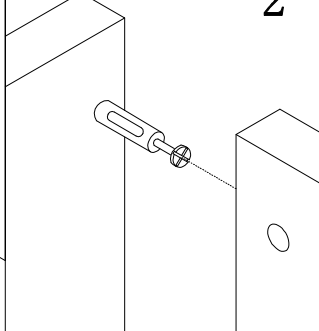
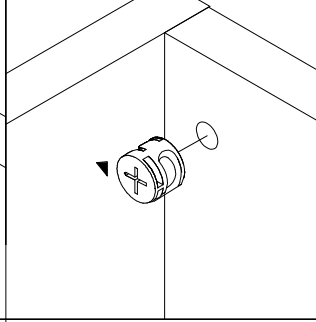
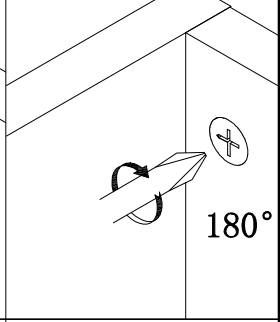
HARDWARE IDENTIFICATION

ITEM#:161827CT

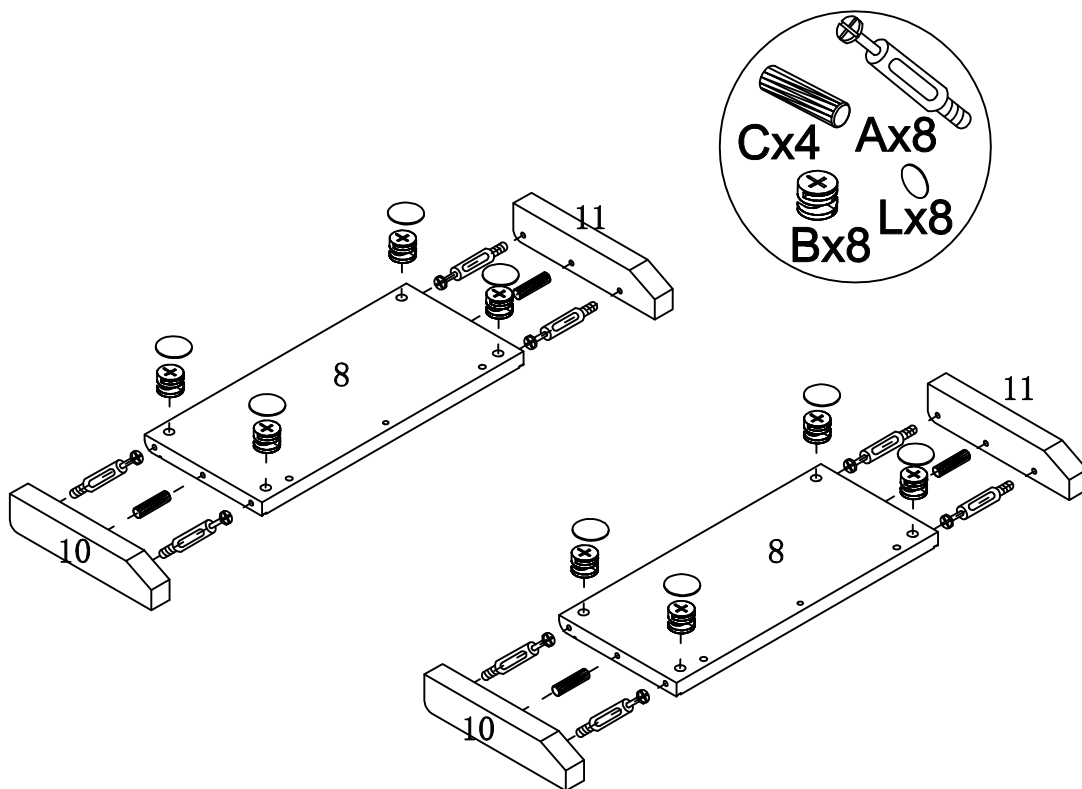
A		L29	26PCS
B		Φ 15	26PCS
C		Φ 8x25	12PCS
D		L20	16PCS
E		Φ 12	16PCS
F		Φ 6x30	8PCS
G		Φ 4x45	2PCS
H		Φ 7x48	6PCS
I		Φ 8x16x2	6PCS
J			4PCS
K		M4x22	4PCS
L		Φ 22 (BLK3)	12PCS
M		Φ 16	4PCS
N		Glue: For securing please apply to wood dowel first before inserting into panel	1PC

HARDWARE IDENTIFICATION

ITEM#:161827CT

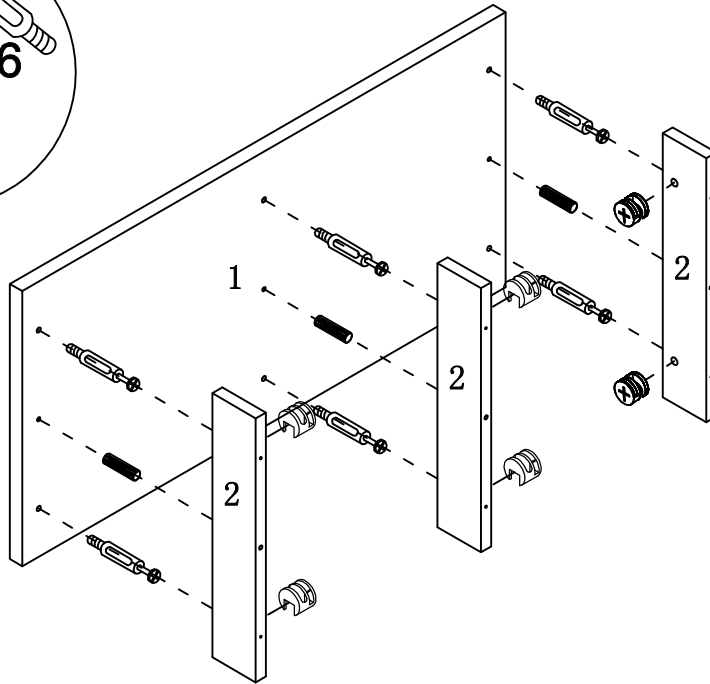
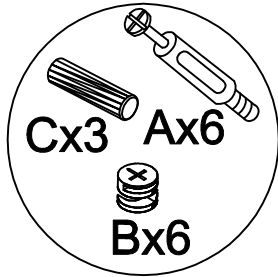
HOW TO	1	2	3	4
 <p>Cam Bolt</p>  <p>Cam Lock</p>				
	<p>1. Screw Cam Bolt into panel.</p>	<p>2. Insert Cam Bolt into bolt hole of joining panel.</p>	<p>3. Insert Cam Lock. arrow facing bolt.</p>	<p>4. Gently turn Cam Lock clockwise to lock position.</p>

STEP1



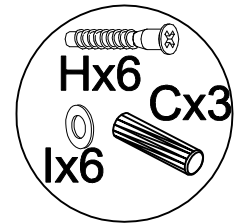
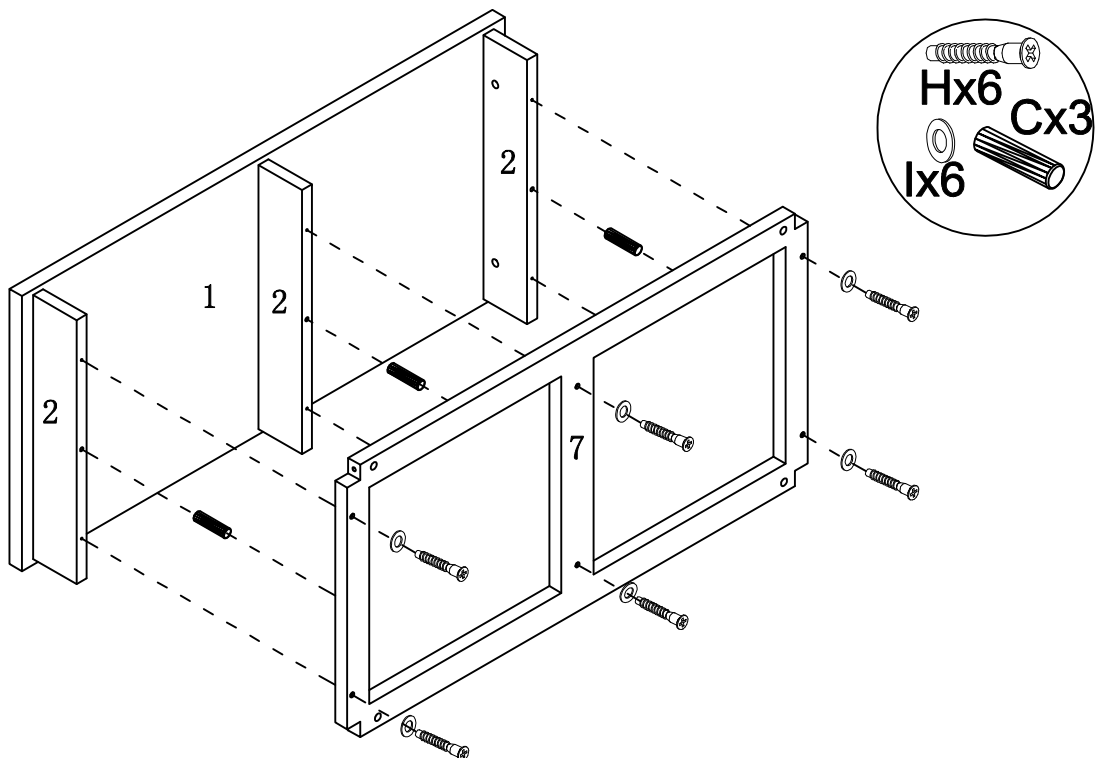
HARDWARE IDENTIFICATION

ITEM#:161827CT



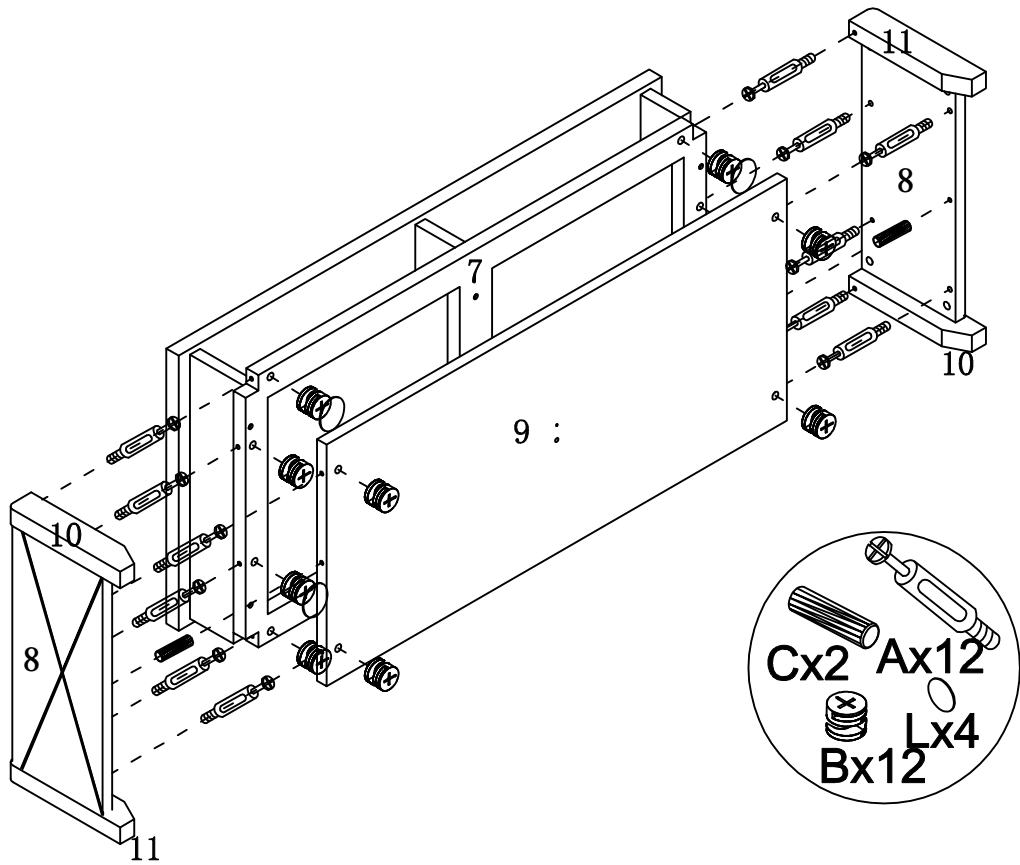
STEP2

STEP3



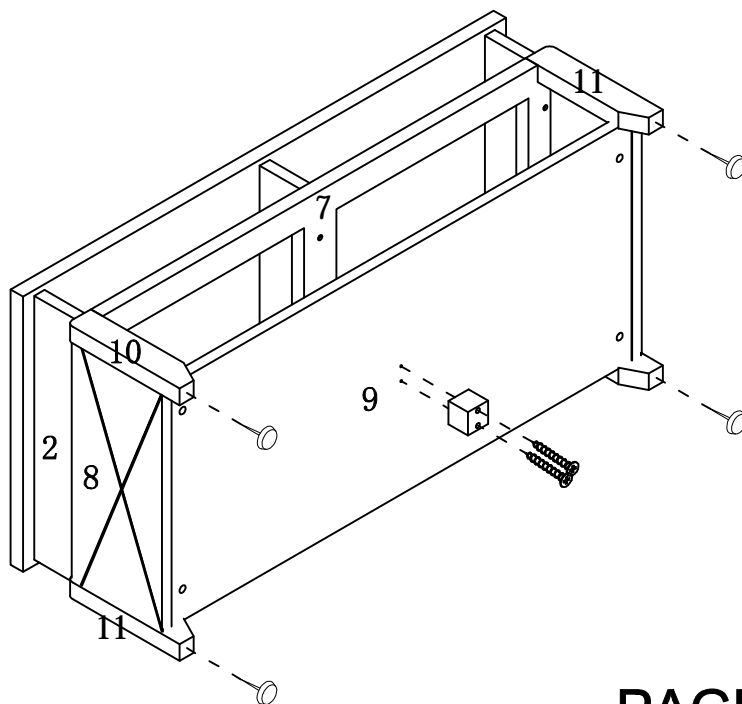
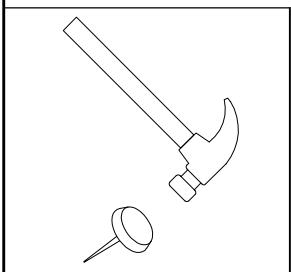
HARDWARE IDENTIFICATION

ITEM#:161827CT



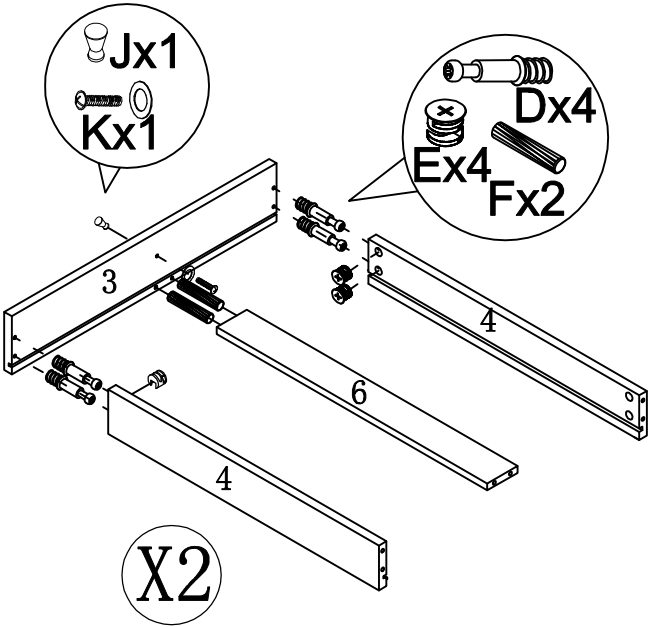
STEP4

STEP5



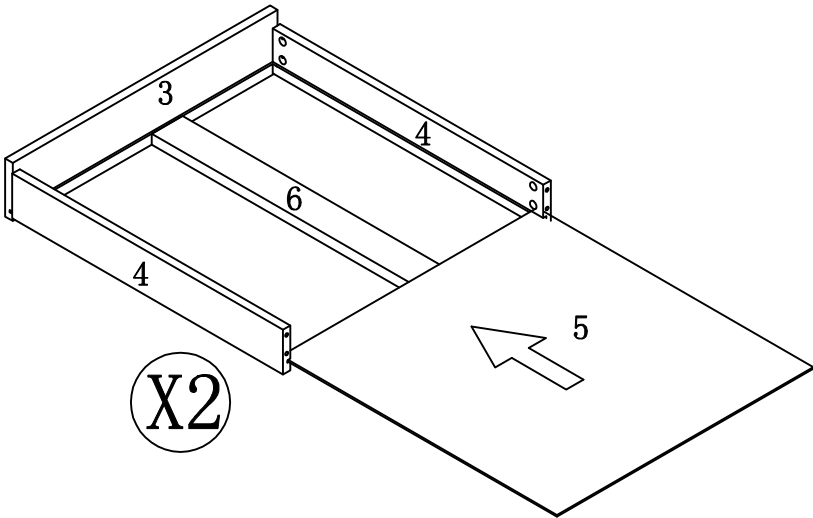
HARDWARE IDENTIFICATION

ITEM#:161827CT



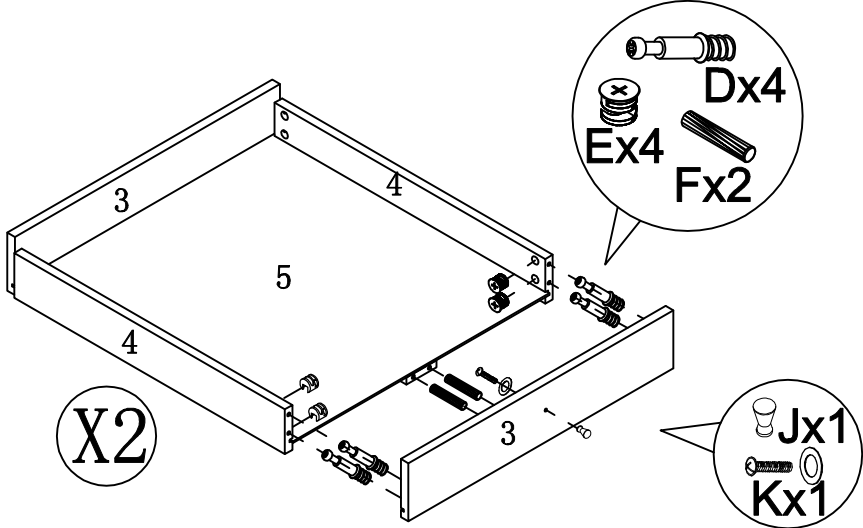
STEP6

STEP7



HARDWARE IDENTIFICATION

ITEM#:161827CT



STEP8

STEP9

