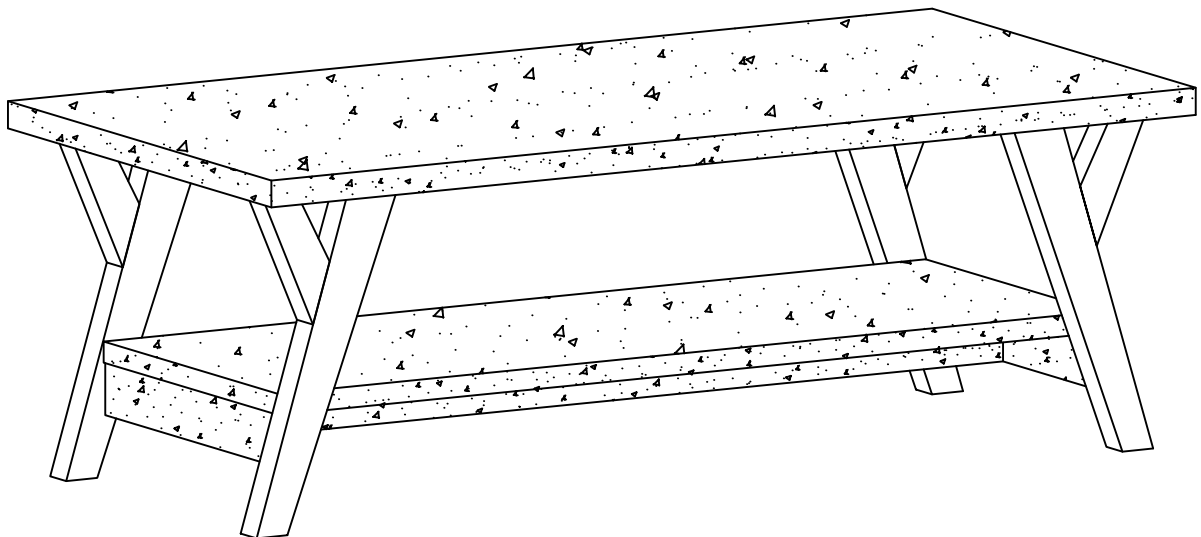


# ASSEMBLY INSTRUCTION

---

ITEM#:161834CT



# ASSEMBLY INSTRUCTION

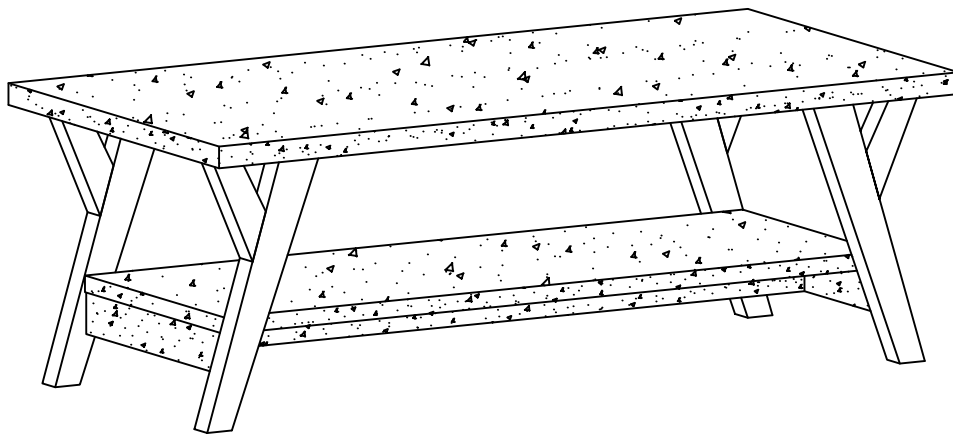
---

## **PLEASE READ BEFORE ASSEMBLING!**

Tip #1: Make sure you've taken all the pieces and hardware out of its packaging before discarding the box.

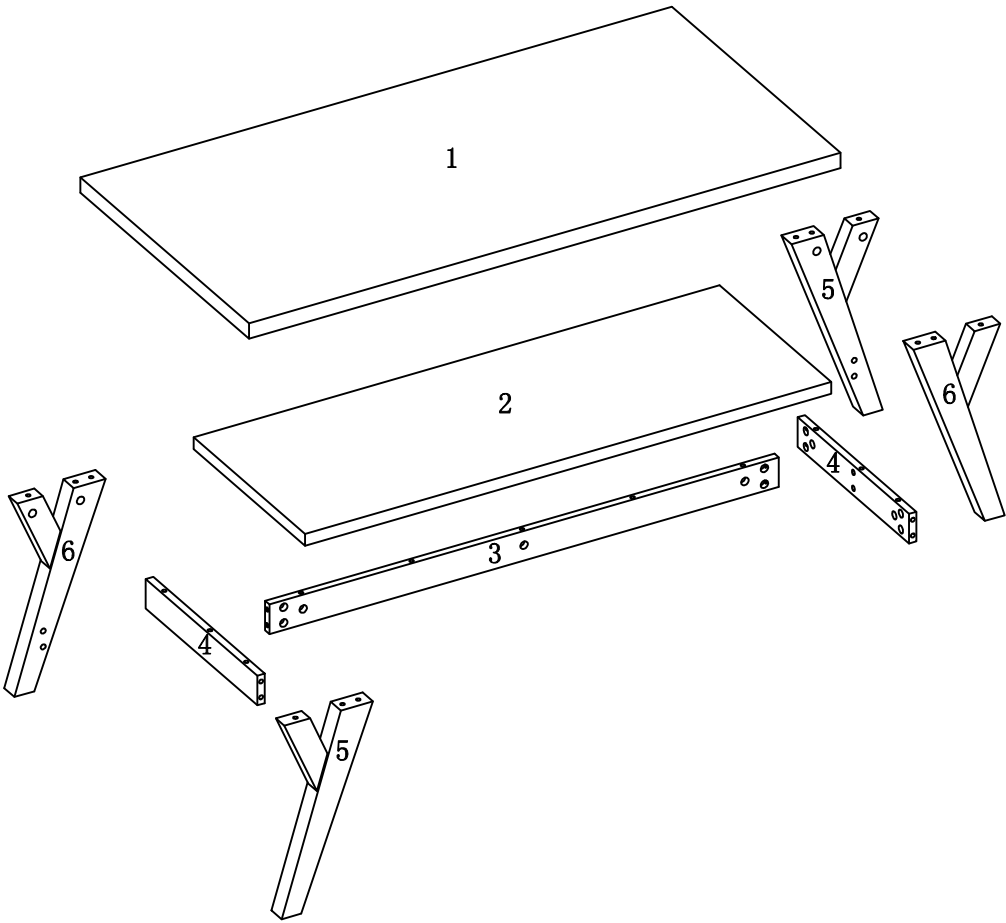
Tip #2: Using page 2 and/or page 3 of instruction manual make sure all pieces and hardware are accounted for.

**ITEM#:161834CT**



# PARTS IDENTIFICATION







ITEM#:161834CT



- |     |      |
|-----|------|
| (1) | 1pc  |
| (2) | 1pc  |
| (3) | 1pc  |
| (4) | 1pc  |
| (5) | 1pc  |
| (6) | 2pcs |
| (7) | 2pcs |

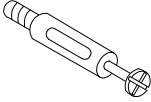

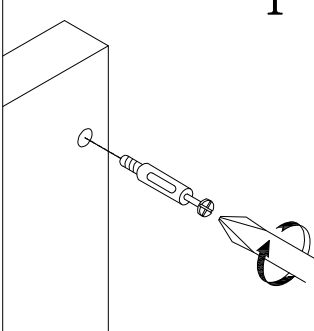
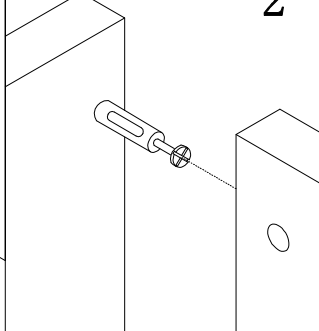
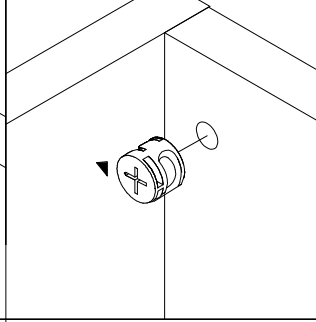
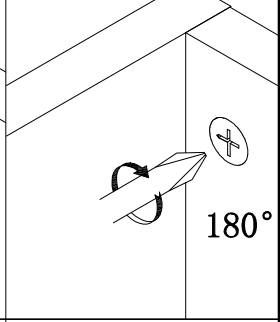
# HARDWARE IDENTIFICATION

ITEM#:161834CT

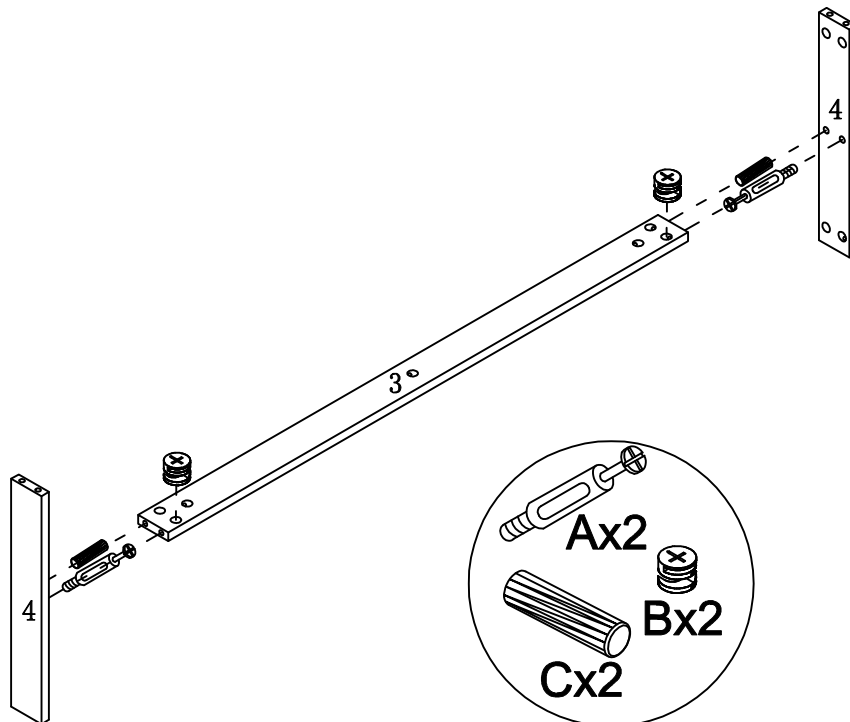
A		L29	21PCS
B		Φ 15	21PCS
C		Φ 8x25	16PCS
D		Φ 22 (DGY)	8PCS
E		Φ 16	4PCS
F		Glue: For securing please apply to wood dowel first before inserting into panel	1PC

# HARDWARE IDENTIFICATION

ITEM#:161834CT

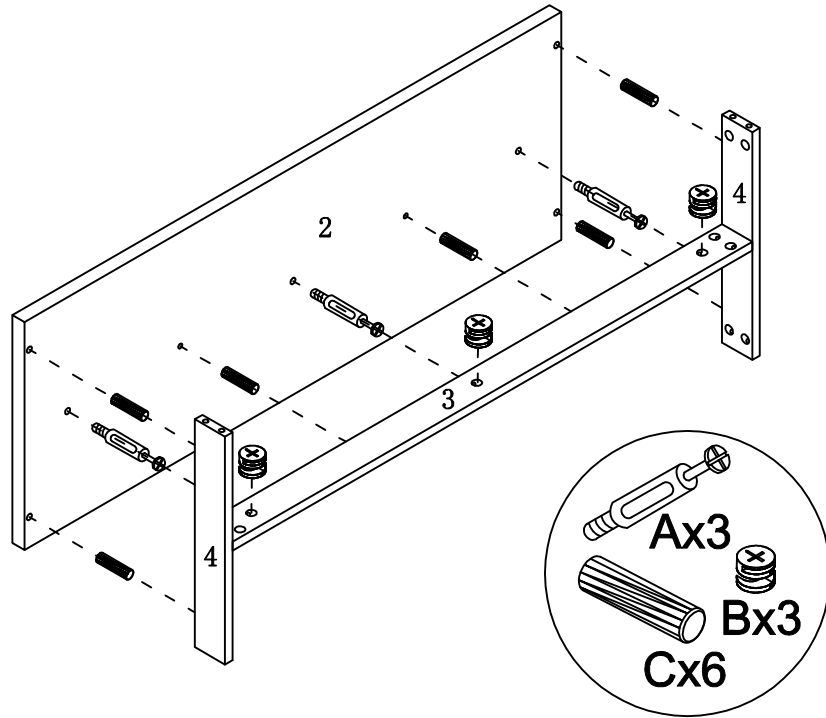
<p>HOW TO</p>  <p>Cam Bolt</p>  <p>Cam Lock</p>	<p>1</p>  <p>1. Screw Cam Bolt into panel.</p>	<p>2</p>  <p>2. Insert Cam Bolt into bolt hole of joining panel.</p>	<p>3</p>  <p>3. Insert Cam Lock. arrow facing bolt.</p>	<p>4</p>  <p>4. Gently turn Cam Lock clockwise to lock position.</p>
---	---	---	---	---

## STEP 1



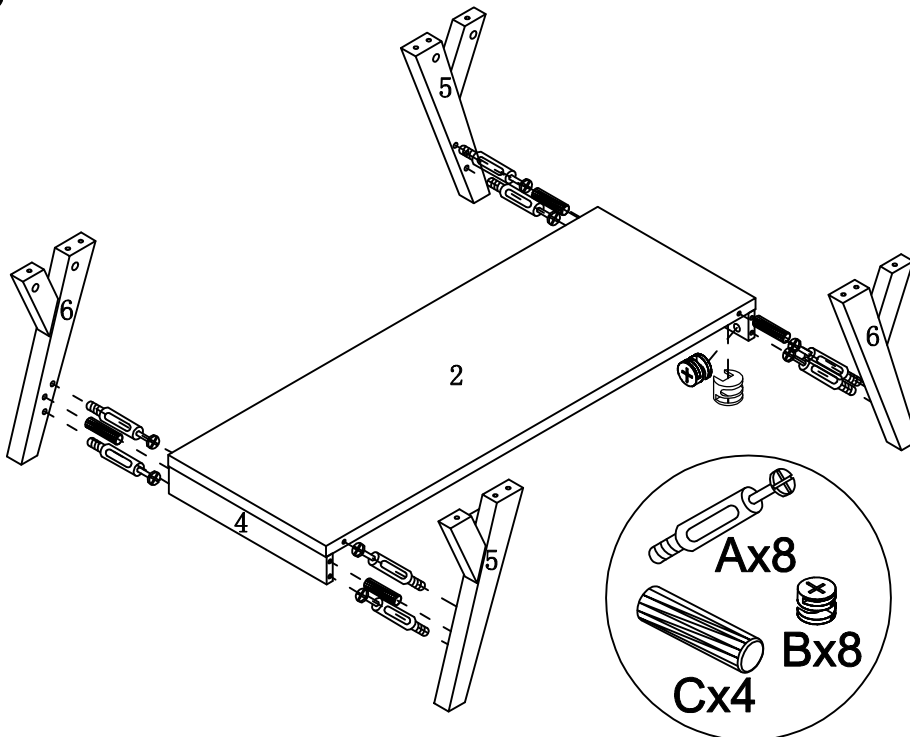
# HARDWARE IDENTIFICATION

ITEM#:161834CT



STEP2

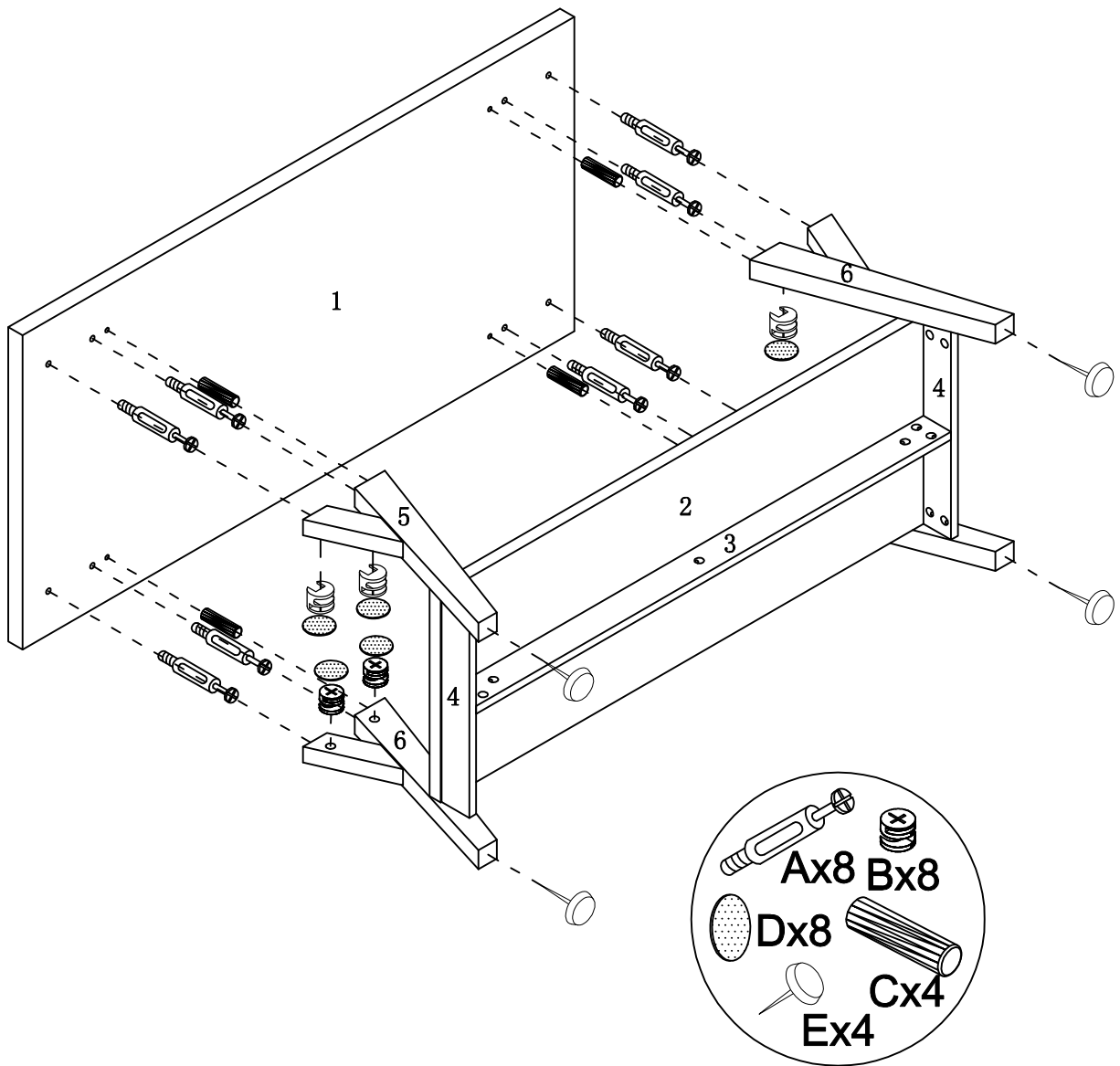
STEP3



PAGE:6 OF 7

# HARDWARE IDENTIFICATION

ITEM#:161834CT



STEP4

