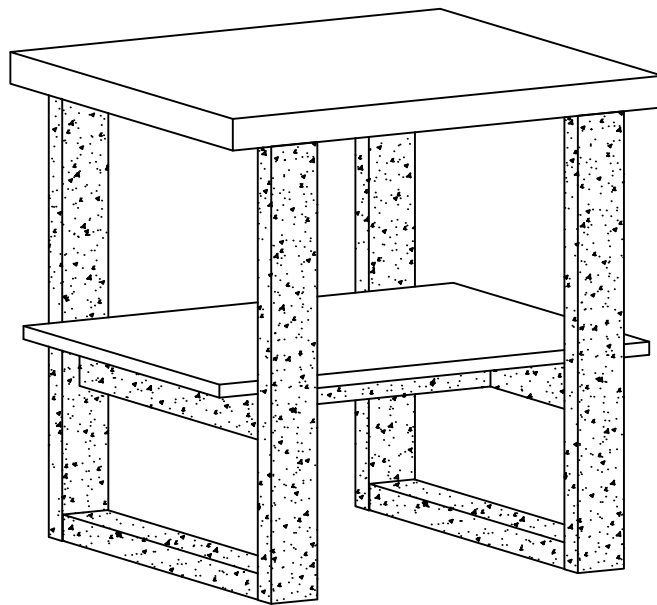


ASSEMBLY INSTRUCTION

ITEM#:161853ET



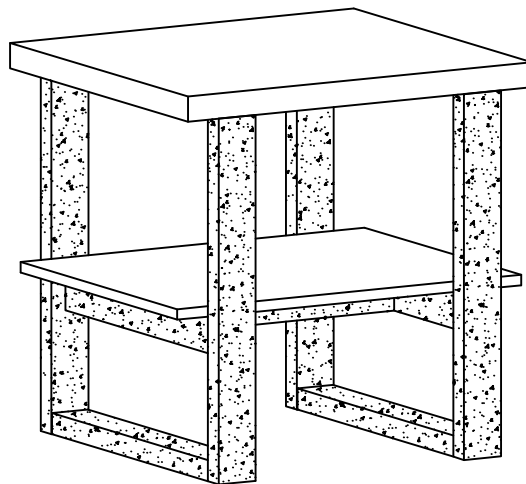
ASSEMBLY INSTRUCTION

PLEASE READ BEFORE ASSEMBLING!

Tip #1: Make sure you've taken all the pieces and hardware out of its packaging before discarding the box.

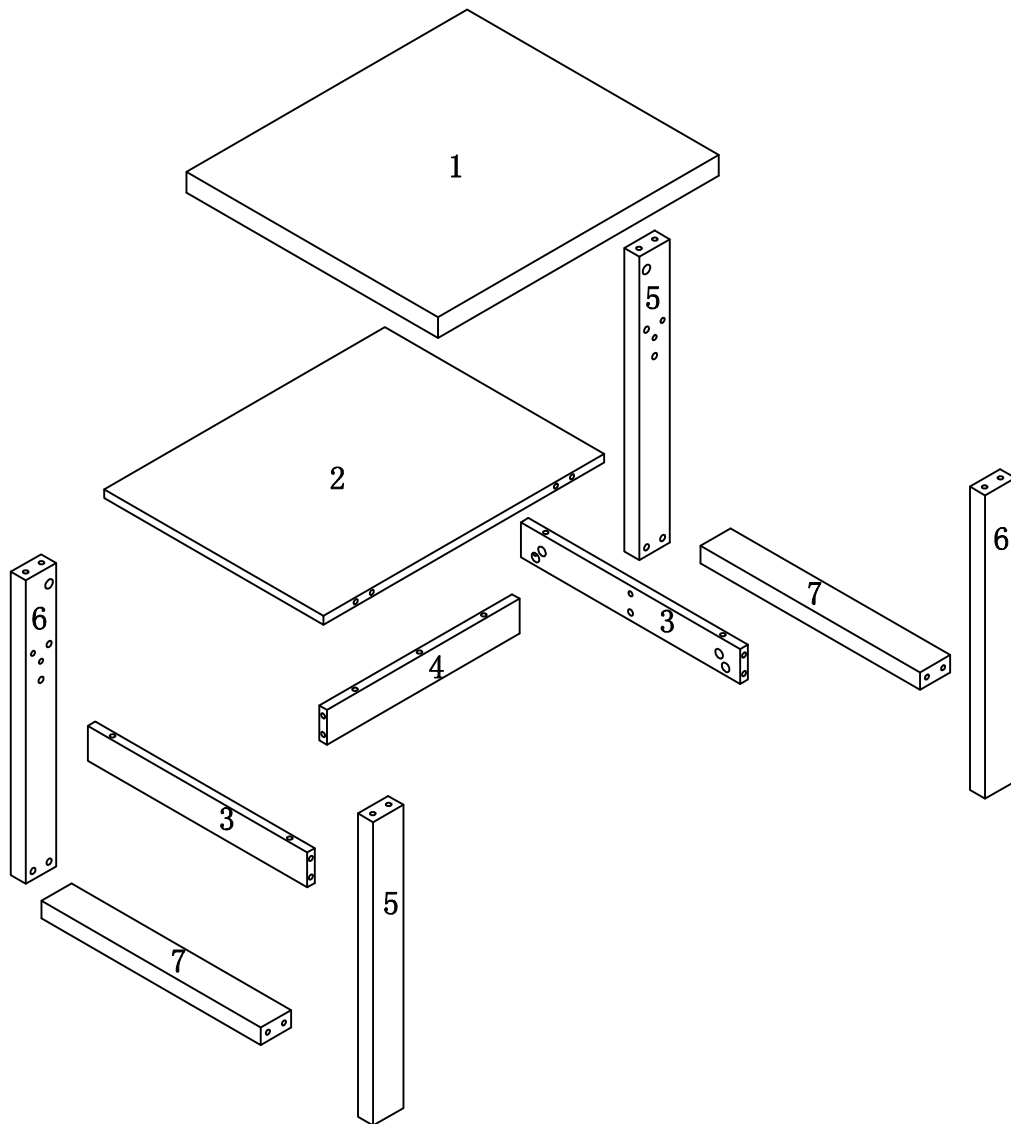
Tip #2: Using page 2 and/or page 3 of instruction manual make sure all pieces and hardware are accounted for.

ITEM#:161853ET



PARTS IDENTIFICATION





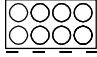

ITEM#:161853ET



- | | |
|-----|------|
| (1) | 1pc |
| (2) | 1pc |
| (3) | 2pcs |
| (4) | 1pc |
| (5) | 2pcs |
| (6) | 2pcs |
| (7) | 2pcs |

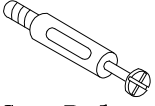

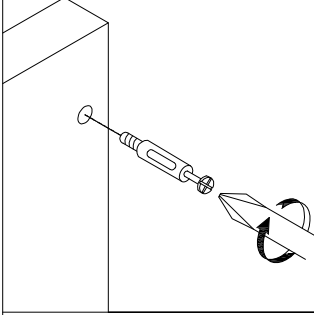
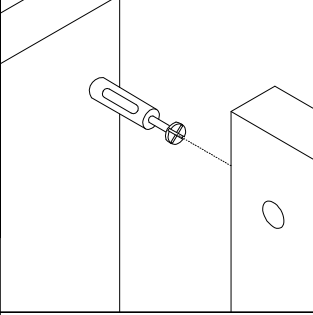
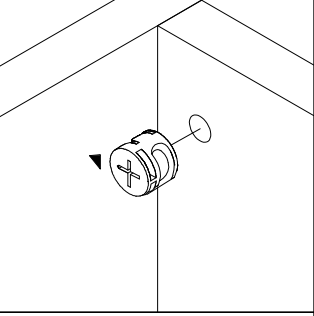
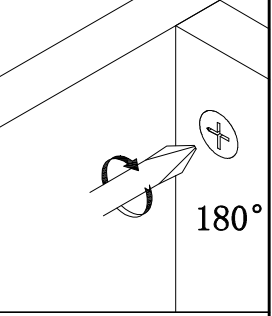
HARDWARE IDENTIFICATION

ITEM#:161853ET

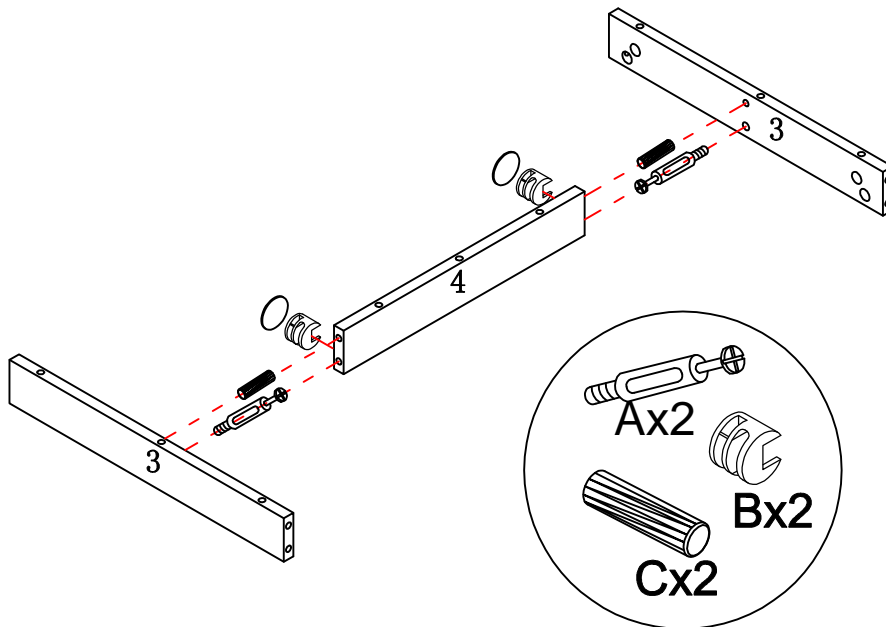
A		L29	27PCS
B		Φ 15	27PCS
C		Φ 8x25	16PCS
D		Φ 16	4PCS
E		Φ 22 (WW)	4PCS
F		Glue: For securing please apply to wood dowel first before inserting into panel	1PC

HARDWARE IDENTIFICATION

ITEM#:161853ET

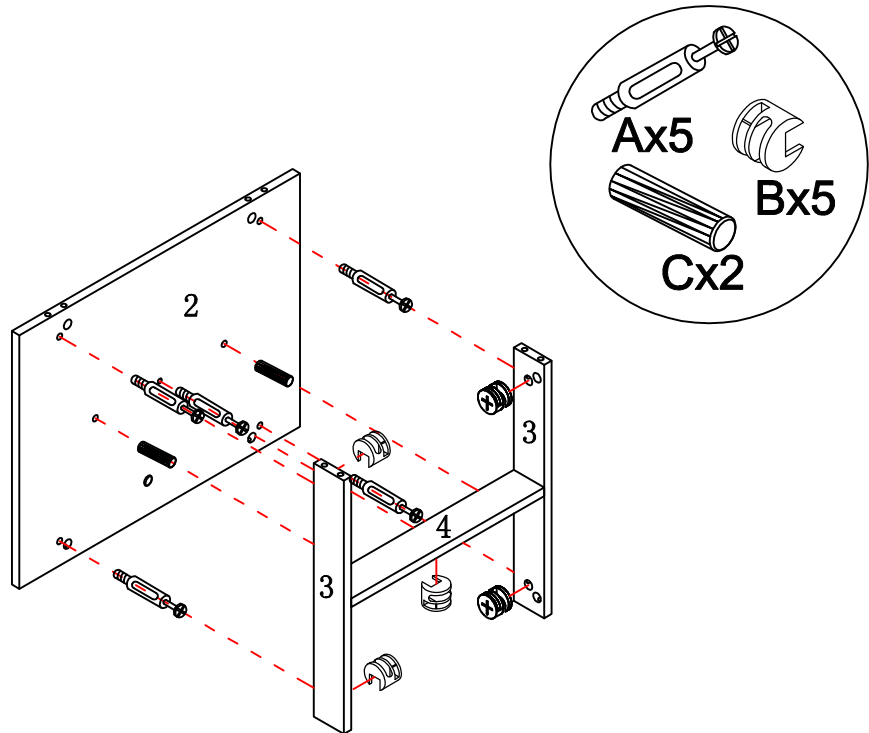
HOW TO	1	2	3	4
 Cam Bolt  Cam Lock				
	1. Screw Cam Bolt into panel.	2. Insert Cam Bolt into bolt hole of joining panel.	3. Insert Cam Lock. arrow facing bolt.	4. Gently turn Cam Lock clockwise to lock position.

STEP 1



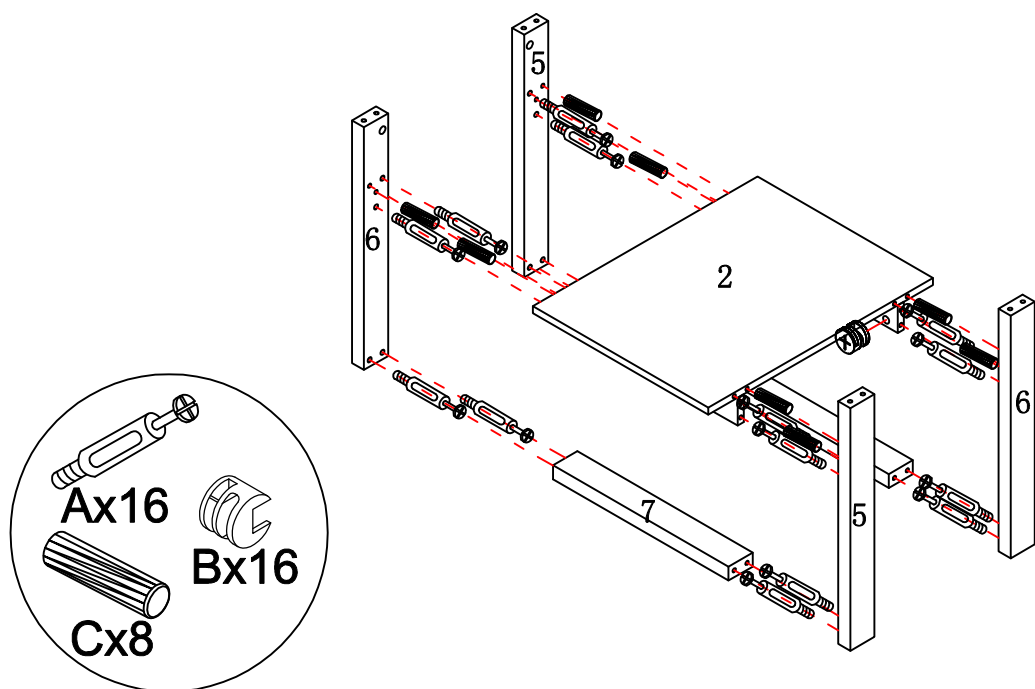
HARDWARE IDENTIFICATION

ITEM#:161853ET



STEP2

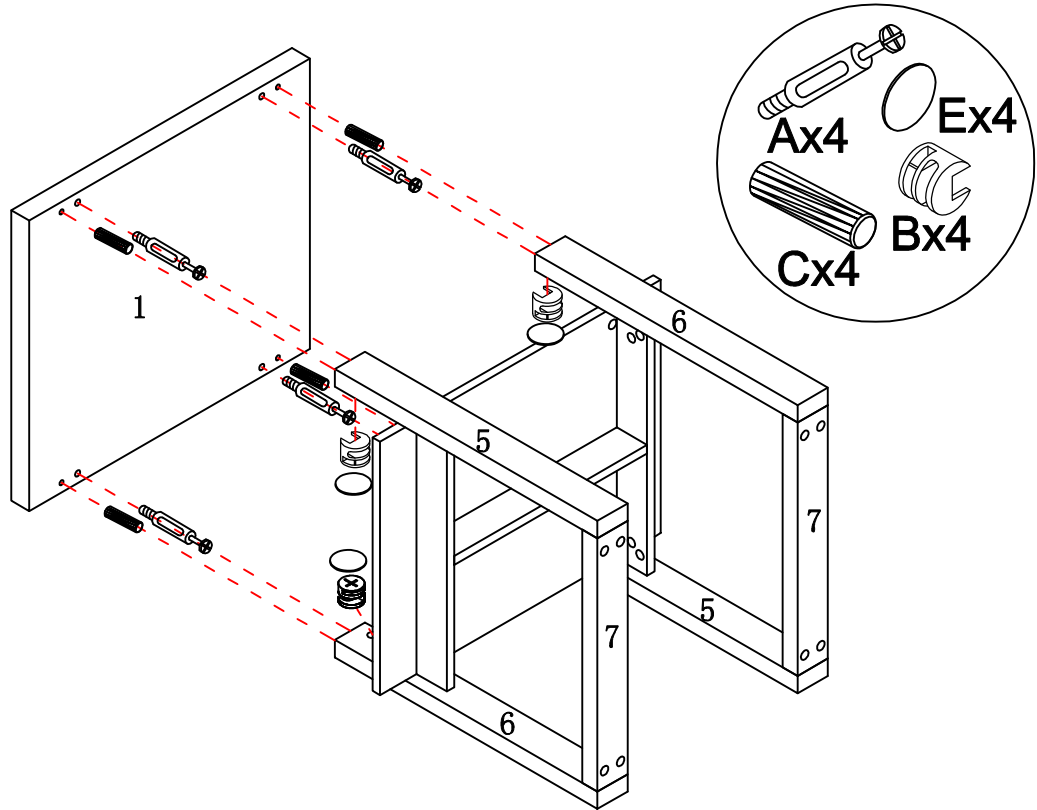
STEP3



PAGE:6 OF 7

HARDWARE IDENTIFICATION

ITEM#:161853ET



STEP4

STEP5

