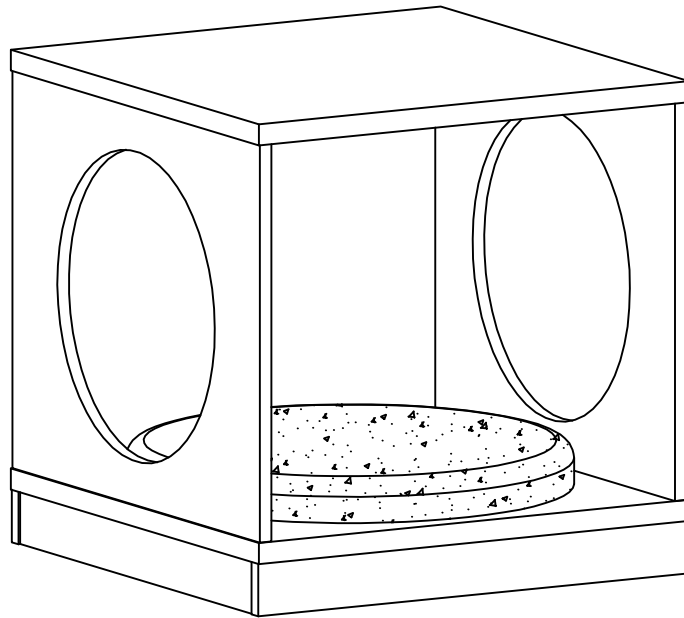


ASSEMBLY INSTRUCTION

ITEM#:161858



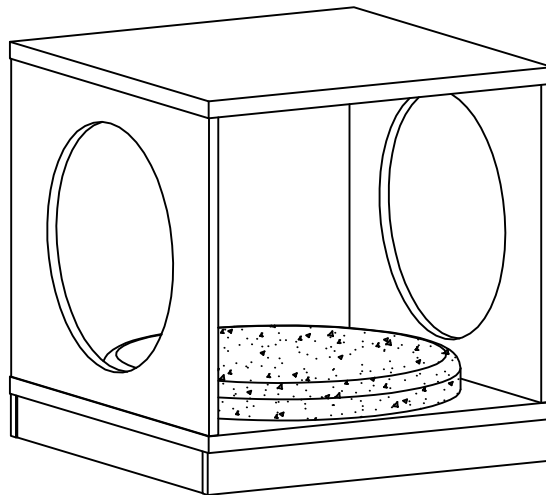
ASSEMBLY INSTRUCTION

PLEASE READ BEFORE ASSEMBLING!

Tip #1: Make sure you've taken all the pieces and hardware out of its packaging before discarding the box.

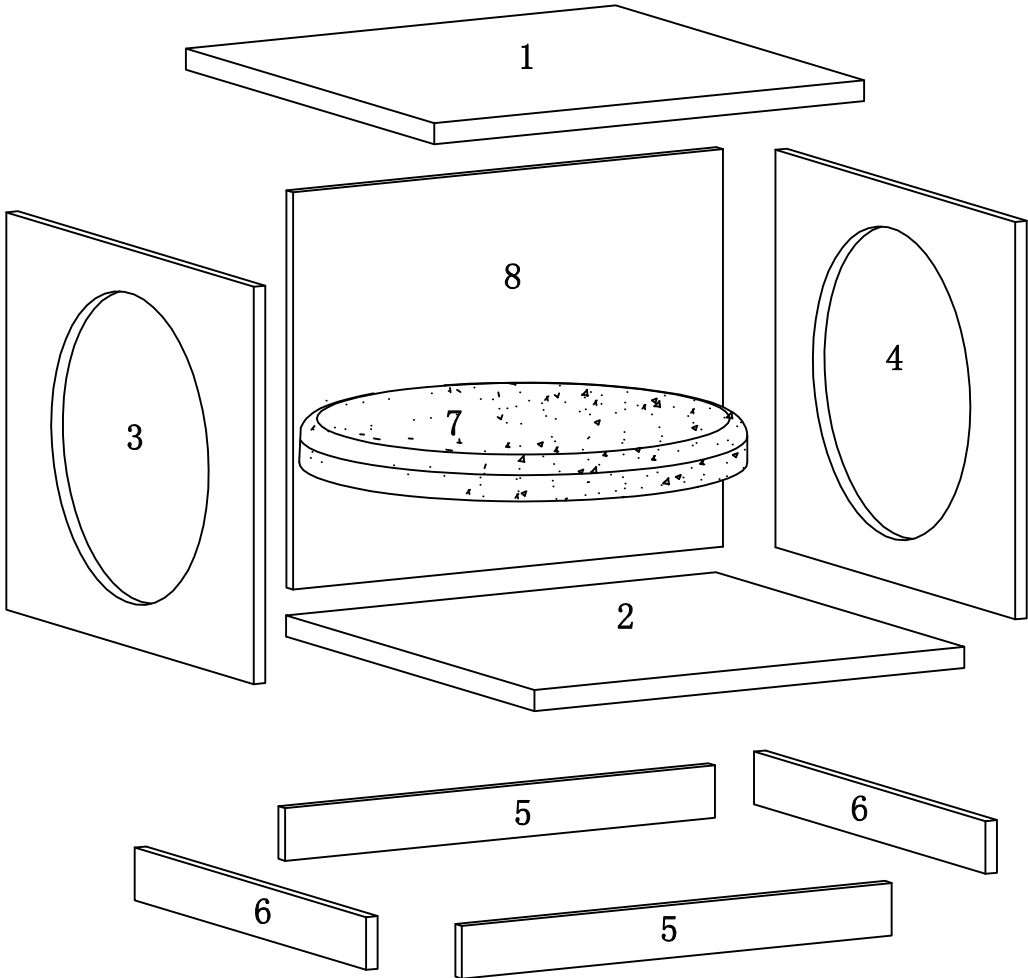
Tip #2: Using page 2 and/or page 3 of instruction manual make sure all pieces and hardware are accounted for.

ITEM#:161858



PARTS IDENTIFICATION




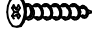
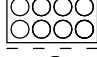


ITEM#:161858



(1)	1pc	(5)	2pcs
(2)	1pc	(6)	2pcs
(3)	1pc	(7)	1pc
(4)	1pc	(8)	1pc

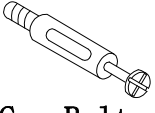
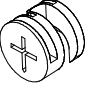
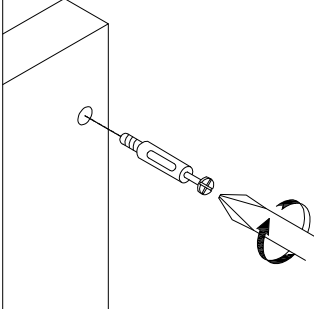
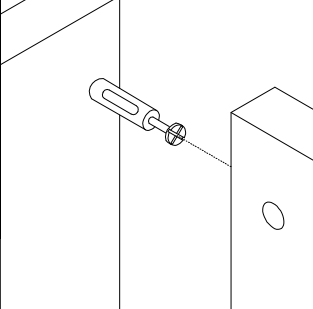
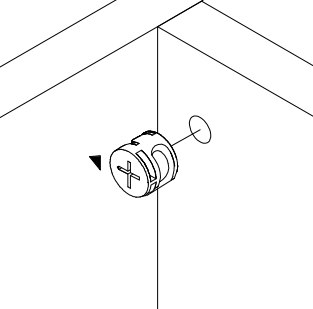
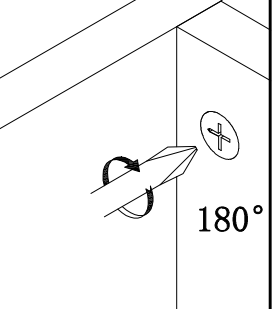
HARDWARE IDENTIFICATION

ITEM#:161858

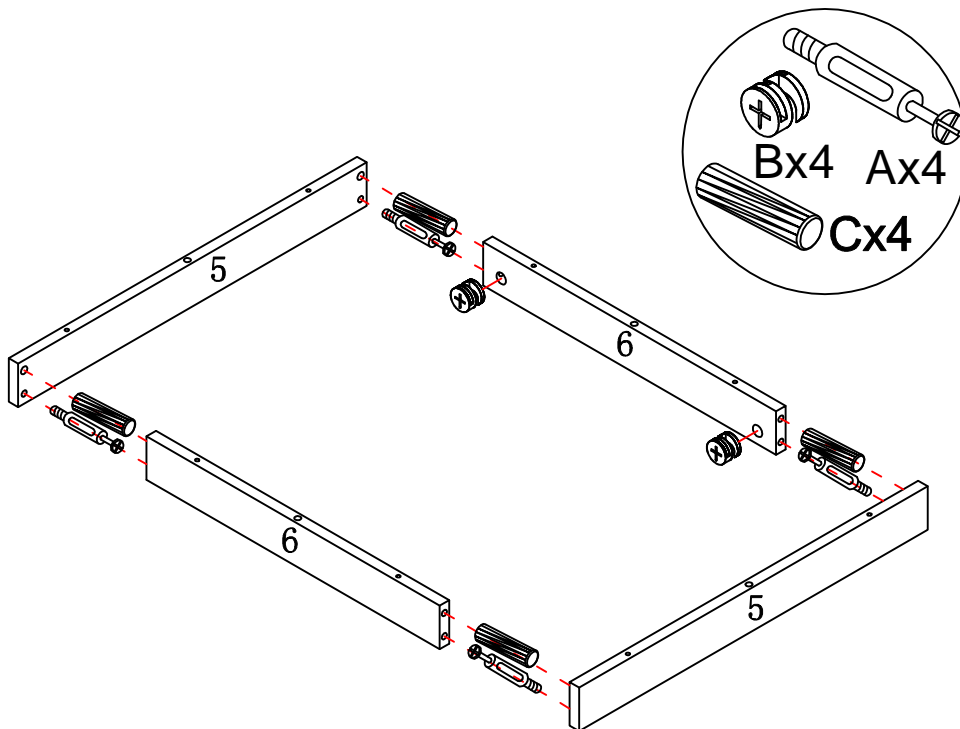
A		L29	14PCS
B		Φ 15	14PCS
C		Φ 8x25	16PCS
D		Φ 4x40	14PCS
E		Φ 22 (RC)	8PCS
F		Φ 16	4PCS
G		Glue: For securing please apply to wood dowel first before inserting into panel	1PC

HARDWARE IDENTIFICATION

ITEM#:161858

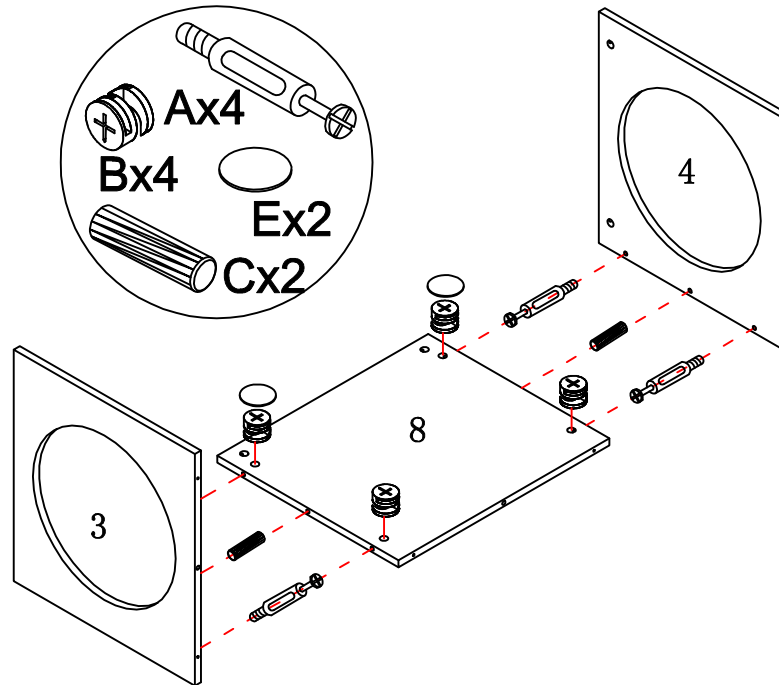
HOW TO	1	2	3	4
 Cam Bolt  Cam Lock				
	1. Screw Cam Bolt into panel.	2. Insert Cam Bolt into bolt hole of joining panel.	3. Insert Cam Lock. arrow facing bolt.	4. Gently turn Cam Lock clockwise to lock position.

STEP 1



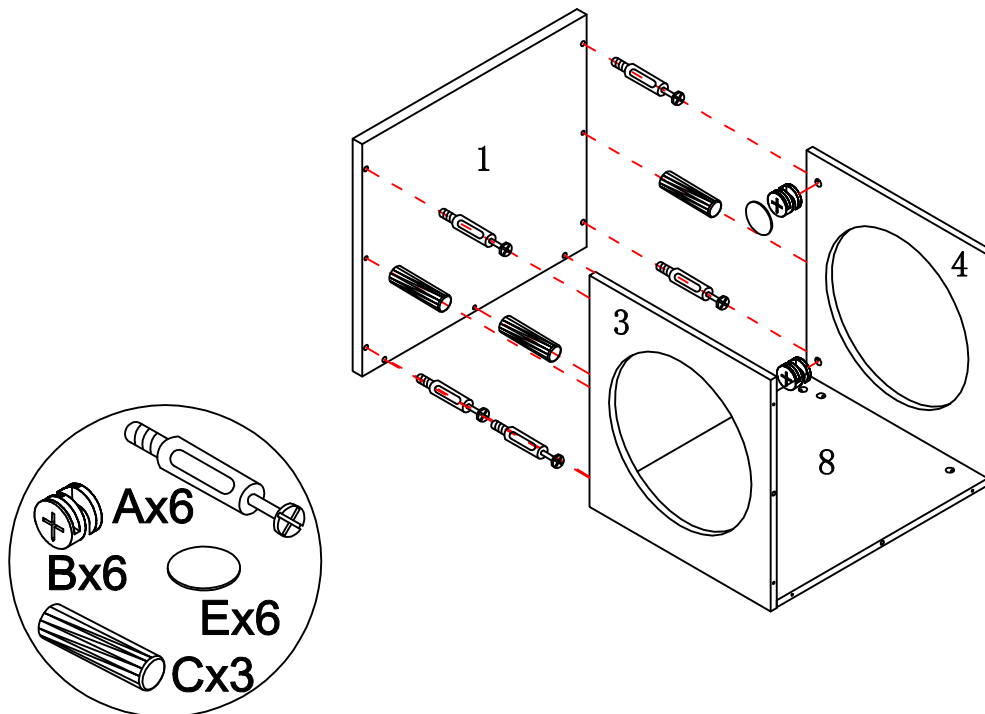
HARDWARE IDENTIFICATION

ITEM#:161858



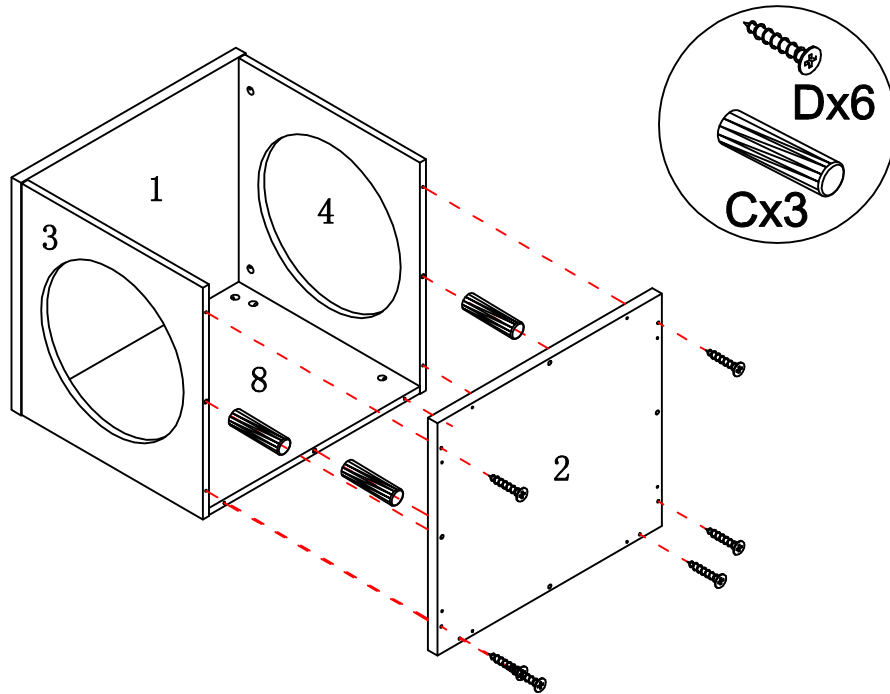
STEP2

STEP3



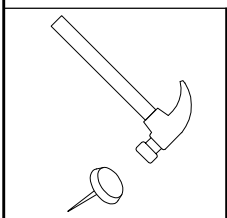
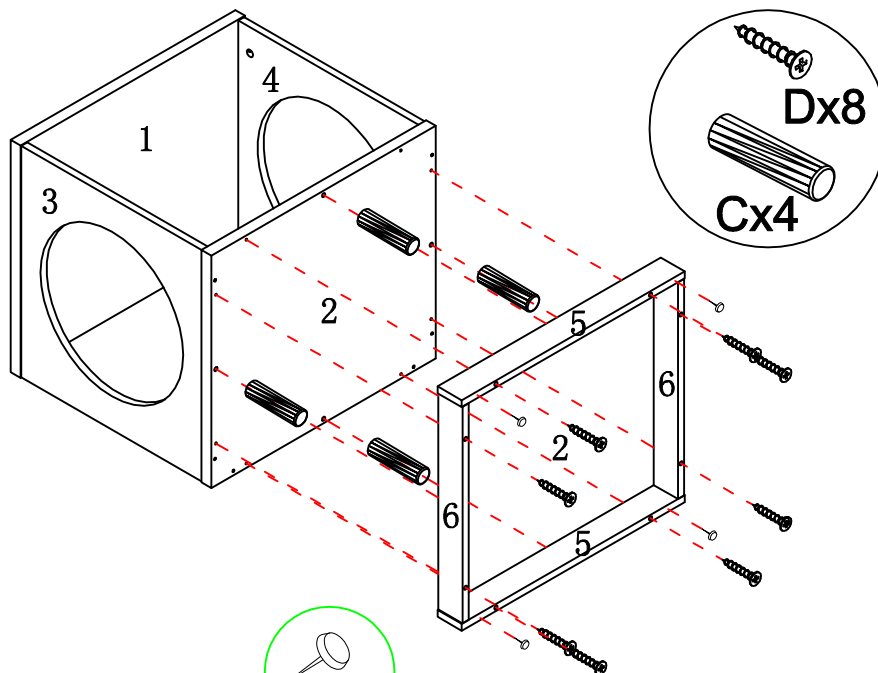
HARDWARE IDENTIFICATION

ITEM#:161858



STEP4

STEP5



HARDWARE IDENTIFICATION

ITEM#:161858

