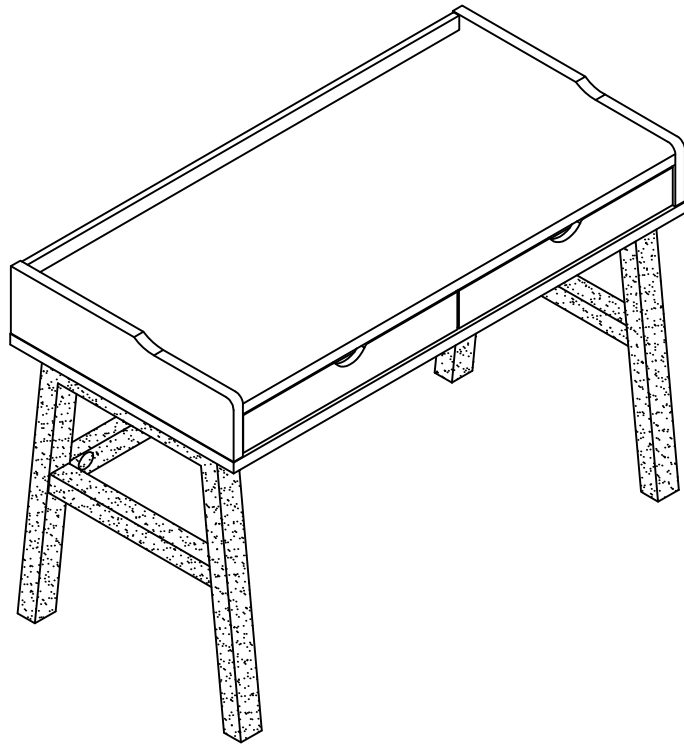


ASSEMBLY INSTRUCTION

ITEM#: 171956



ASSEMBLY INSTRUCTION

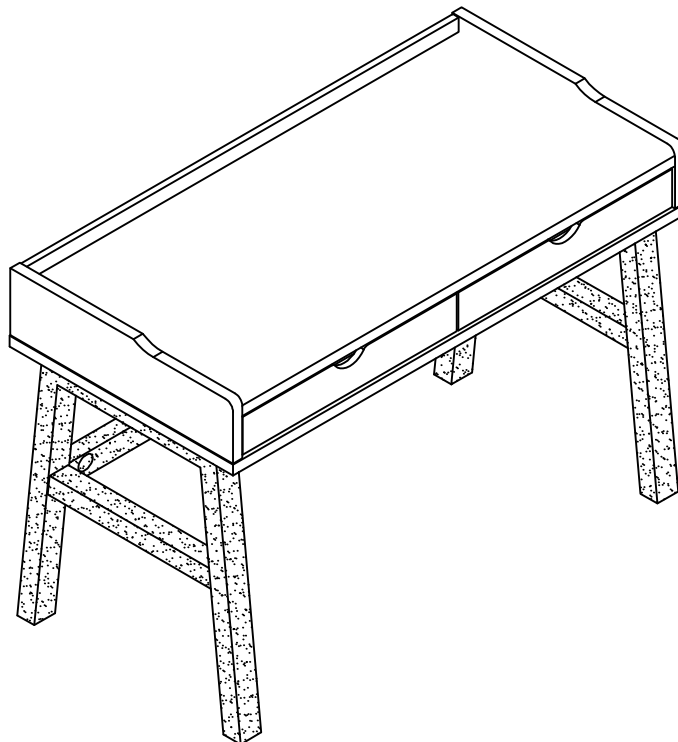
PLEASE READ BEFORE ASSEMBLING!

Tip #1: Make sure you've taken all the pieces and hardware out of its packaging before discarding the box.

Tip #2: Using page 2 and/or page 3 of instruction manual make sure all pieces and hardware are accounted for.

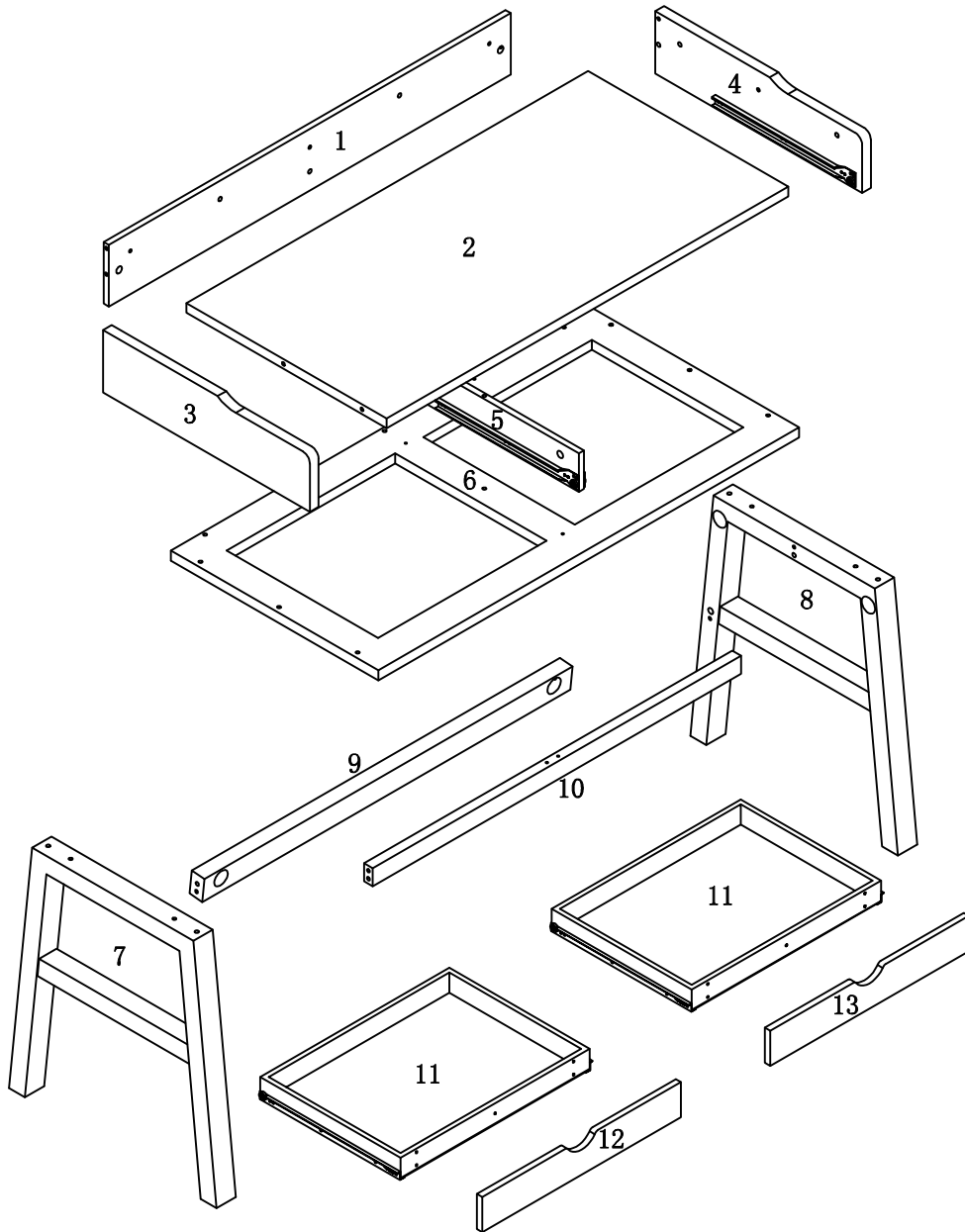
Tip #3: Read manual before assembling, it helps!

ITEM#: 171956



PARTS IDENTIFICATION

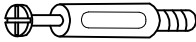















ITEM#: 171956



(1)	1pc	(8)	1pc
(2)	1pc	(9)	1pc
(3)	1pc	(10)	1pc
(4)	1pc	(11)	2pcs
(5)	1pc	(12)	1pc
(6)	1pc	(13)	1pc
(7)	1pc		

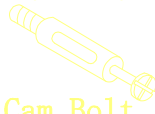

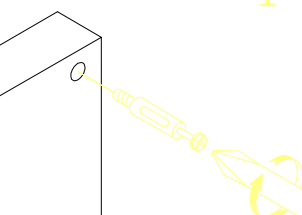
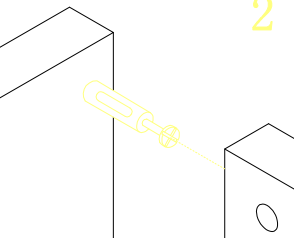
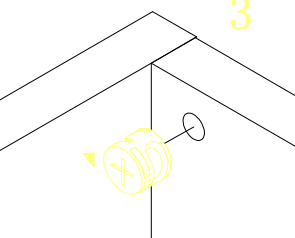
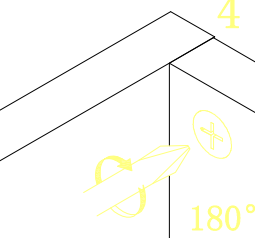
HARDWARE IDENTIFICATION

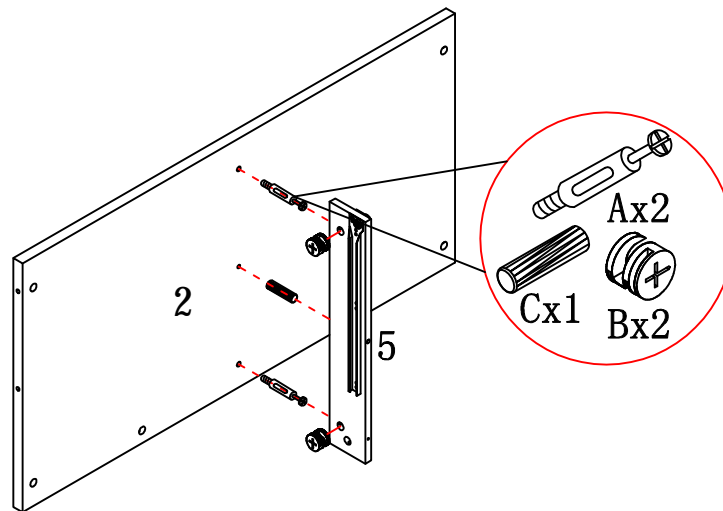
ITEM#: 171956

A		L29	13pcs
B		Φ 15	13pcs
C		Φ 8 x 25	22pcs
D		M7 x 48	4pcs
E		Φ 8 x Φ 16x2	10pcs
F		Φ 4 x 40	4pcs
G		Φ 22	2pcs
H		M8 x 70	6pcs
I		M8	6pcs
J		M8	6pcs
K		M13	1pc
L		Φ 45	6pcs
M		Ø4 x 50	2pcs
N		Φ 16	4pcs
O		Φ 4 x 20	6pcs
P		Glue: For securing please apply to wood dowel first before inserting into panel	1pc

ASSEMBLY INSTRUCTION

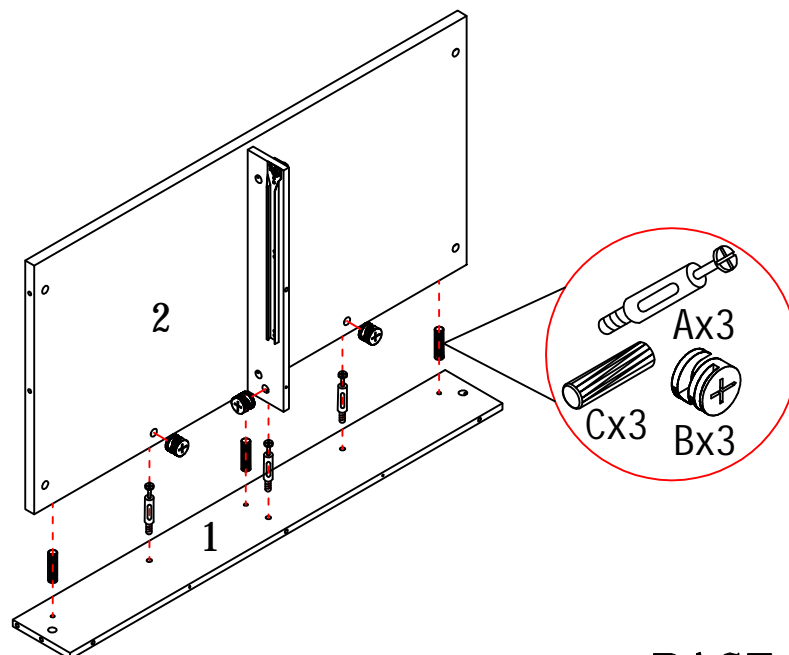
ITEM#: 171956

HOW TO	1	2	3	4
 Cam Bolt  Cam Lock	 1. Screw Cam Bolt into panel.	 2. Insert Cam Bolt into bolt hole of joining panel.	 3. Insert Cam Lock. arrow facing bolt.	 4. Gently turn Cam Lock clockwise to lock position.



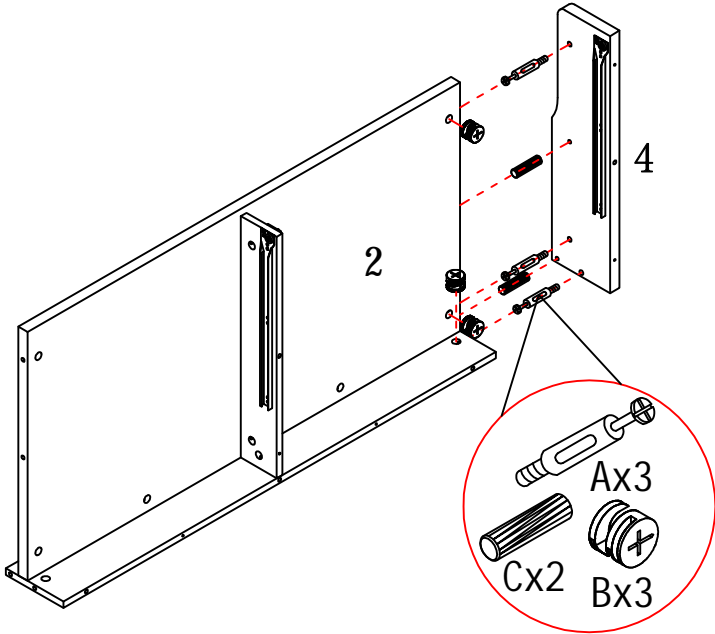
STEP1

STEP2



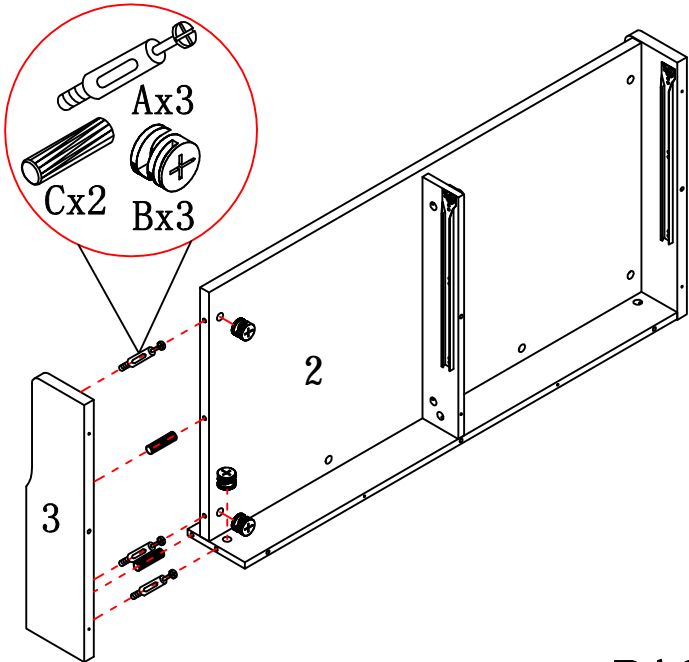
ASSEMBLY INSTRUCTION

ITEM#: 171956



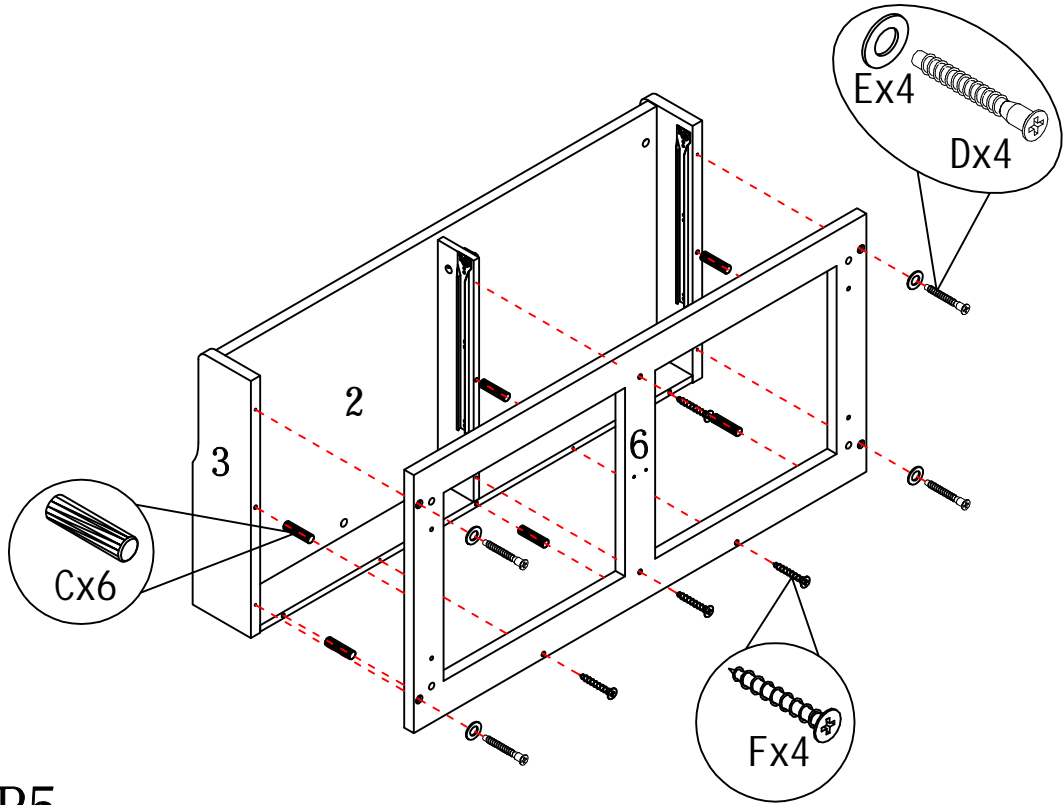
STEP3

STEP4



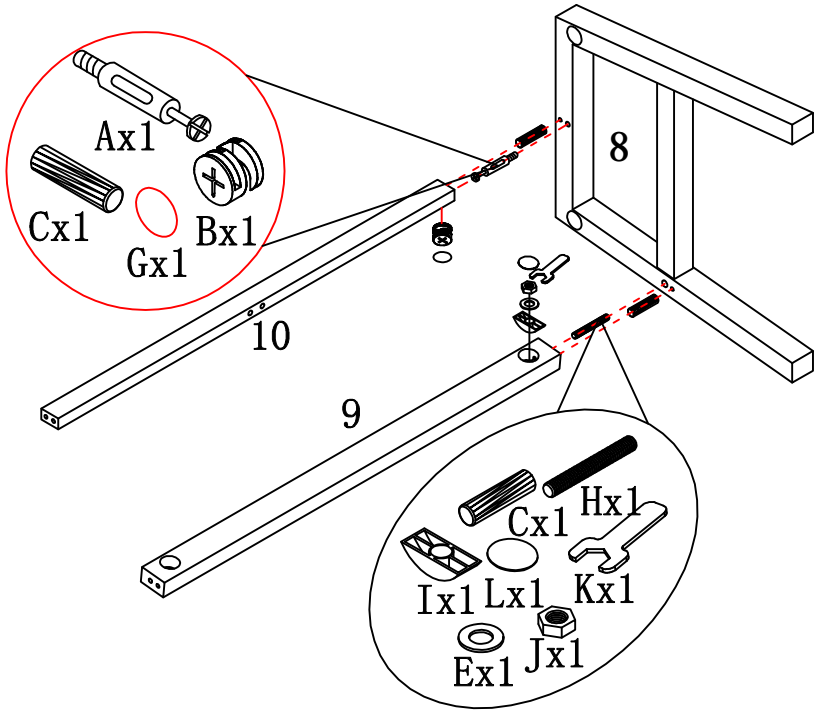
ASSEMBLY INSTRUCTION

ITEM#: 171956



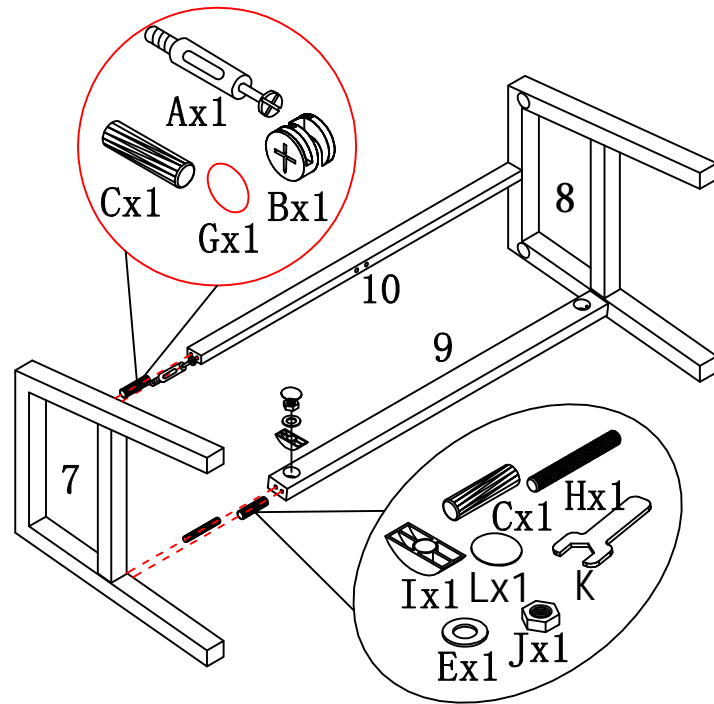
STEP5

STEP6



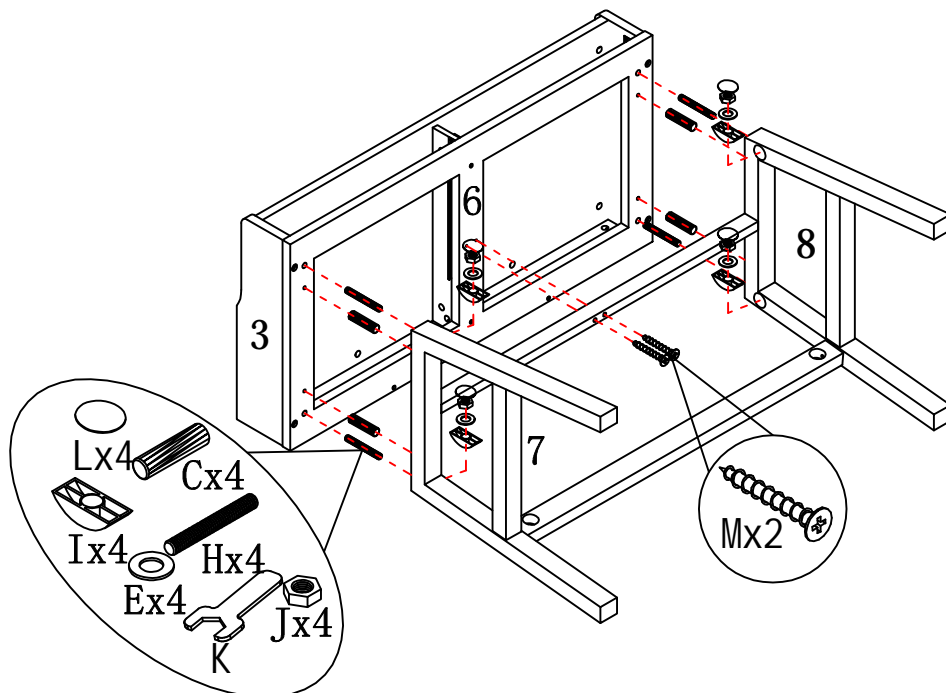
ASSEMBLY INSTRUCTION

ITEM#: 171956



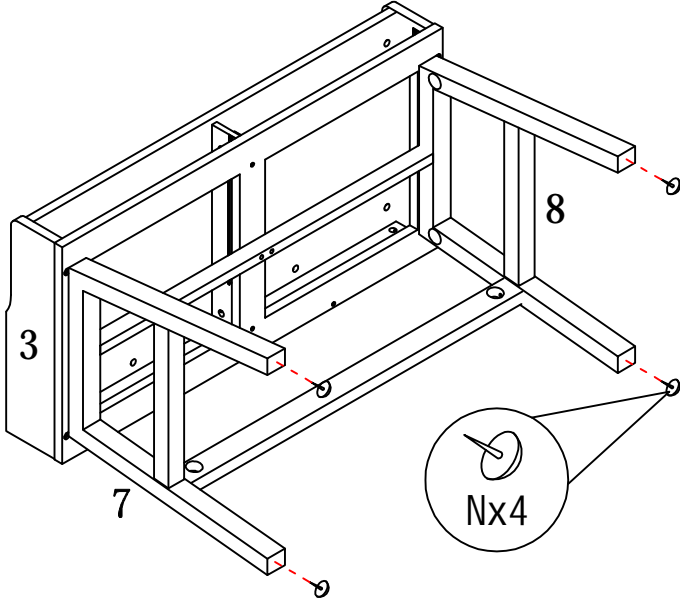
STEP 7

STEP 8



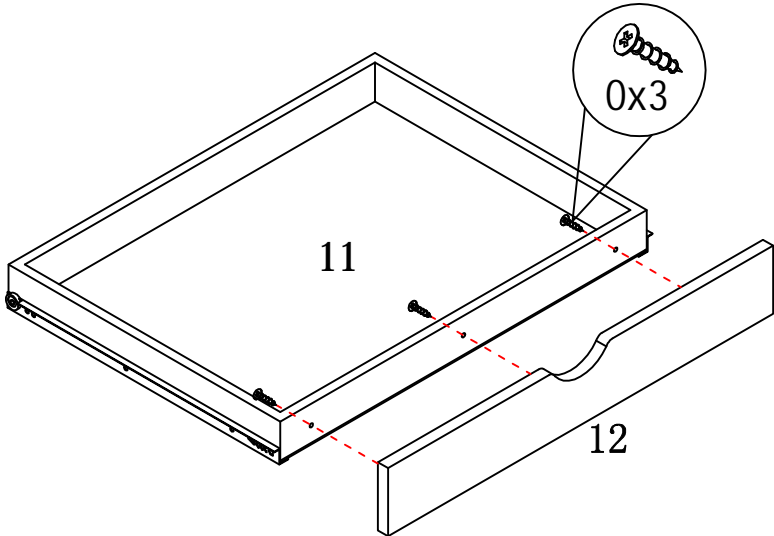
ASSEMBLY INSTRUCTION

ITEM#: 171956



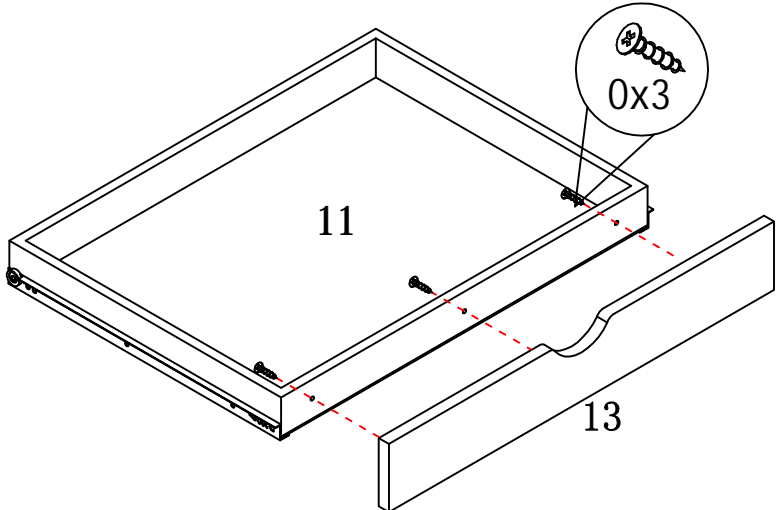
STEP9

STEP10



ASSEMBLY INSTRUCTION

ITEM#: 171956



STEP 11

STEP 12

