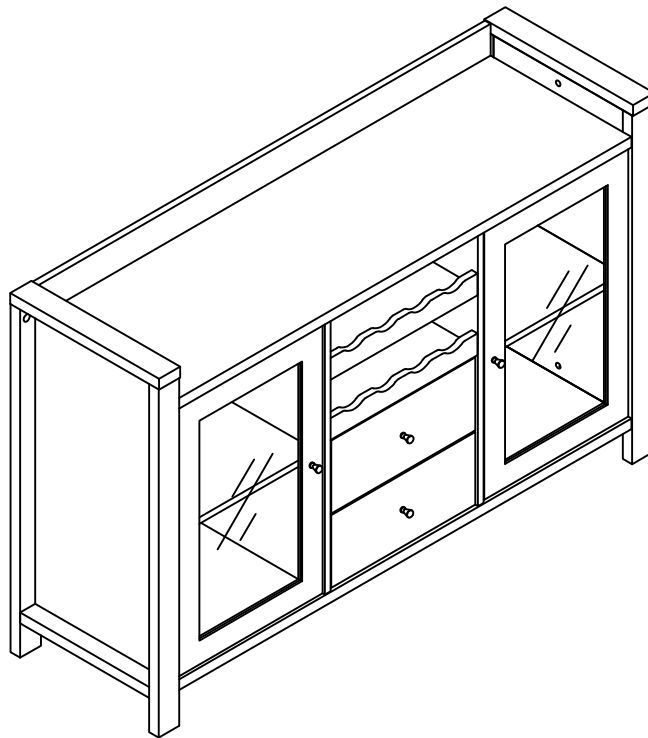


# ASSEMBLY INSTRUCTION

---

ITEM#: 171957



# ASSEMBLY INSTRUCTION

---

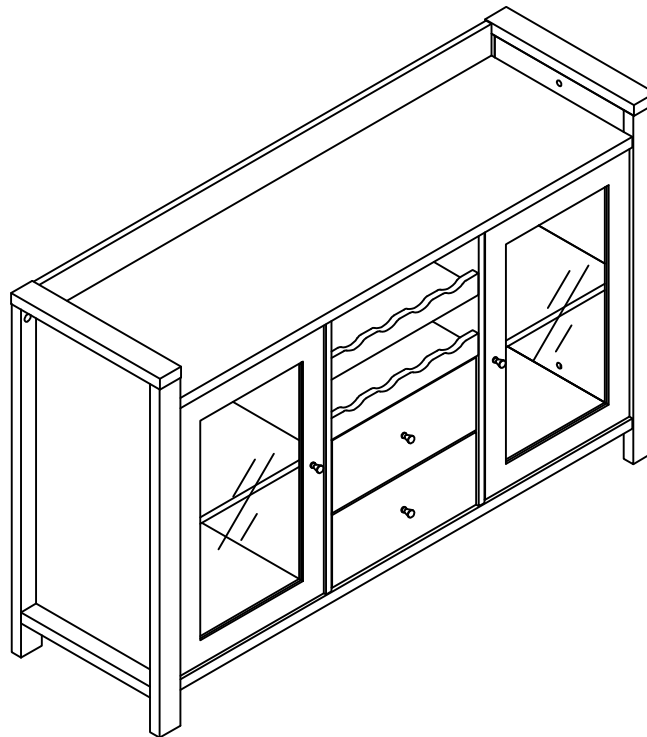
## PLEASE READ BEFORE ASSEMBLING!

Tip #1: Make sure you've taken all the pieces and hardware out of its packaging before discarding the box.

Tip #2: Using page 2 and/or page 3 of instruction manual make sure all pieces and hardware are accounted for.

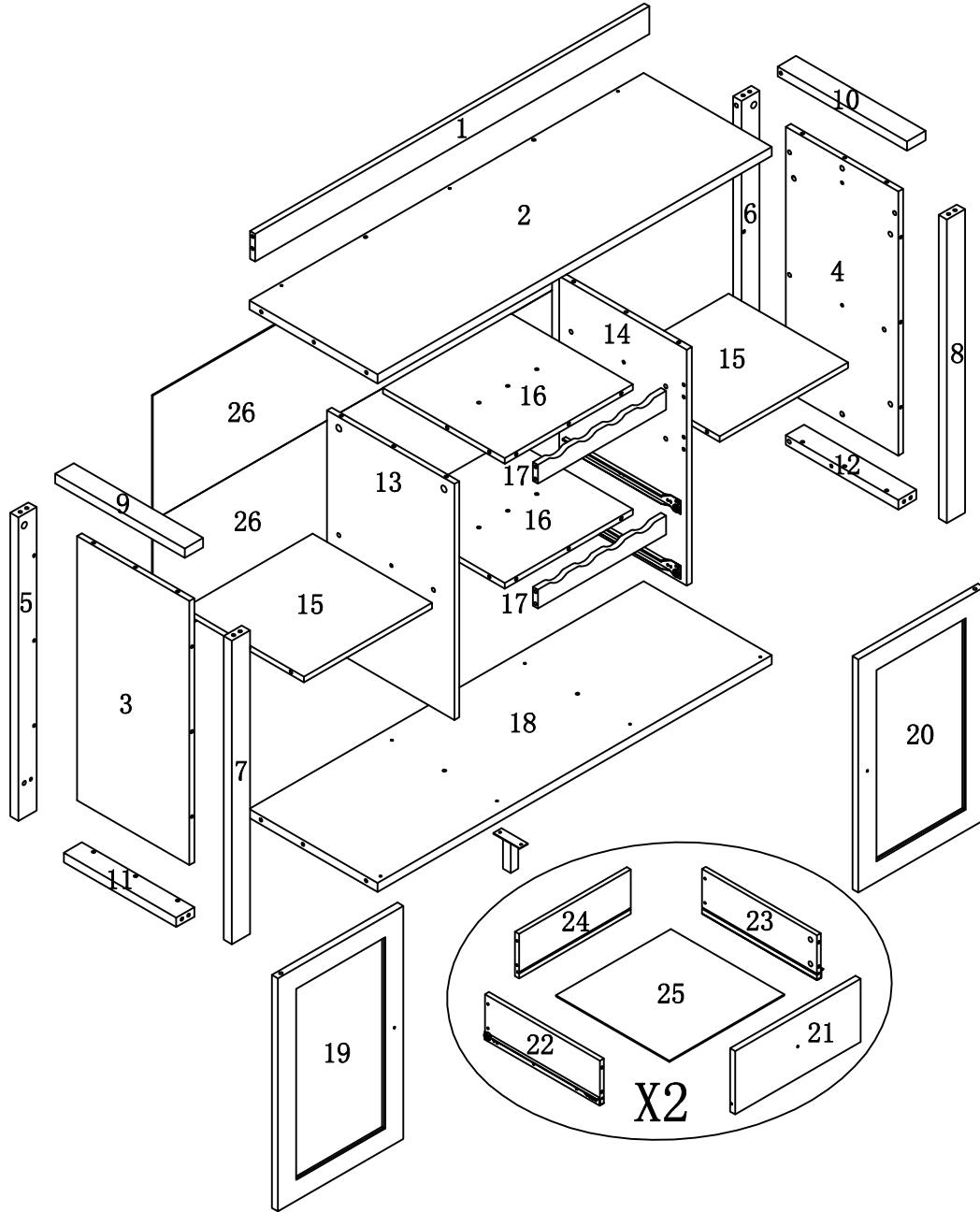
Tip #3: Read manual before assembling, it helps!

ITEM#: 171957



# PARTS IDENTIFICATION

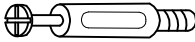



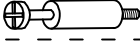

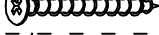

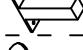
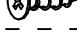

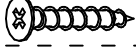
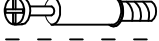






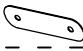


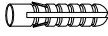


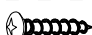


ITEM#: 171957



(1)	1pc	(8)	1pc	(15)	2pcs	(22)	2pcs
(2)	1pc	(9)	1pc	(16)	2pcs	(23)	2pcs
(3)	1pc	(10)	1pc	(17)	2pcs	(24)	2pcs
(4)	1pc	(11)	1pc	(18)	1pc	(25)	2pcs
(5)	1pc	(12)	1pc	(19)	1pc	(26)	2pcs
(6)	1pc	(13)	1pc	(20)	1pc		
(7)	1pc	(14)	1pc	(21)	2pcs		

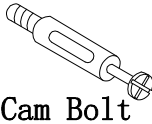

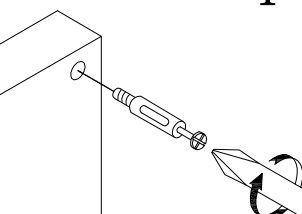
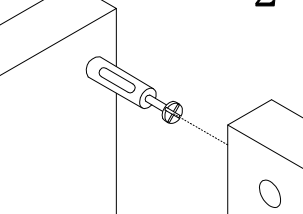
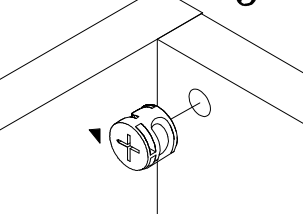
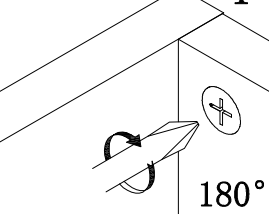
# HARDWARE IDENTIFICATION

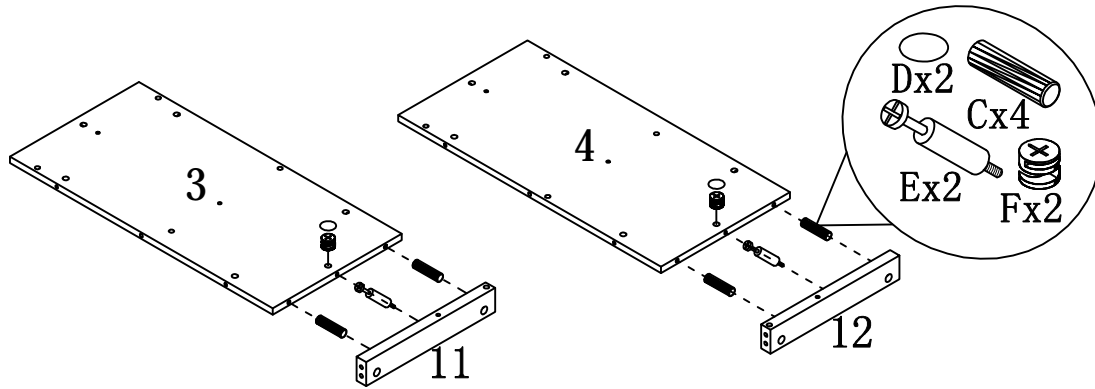
ITEM#: 171957

A		L29	40pcs
B		Φ 15	40pcs
C		Φ 8 x 25	42pcs
D		Φ 22	20pcs
E		L24	12pcs
F		Φ 15	12pcs
G		∅4 x 40	7pcs
H		Φ 16	4pcs
I		80 x 25x80	1pc
J		Φ 4 x 16	2pcs
K			36pcs
L		Φ 4 x 30	8pcs
M		L20	8pcs
N		Φ 12	8pcs
O			4pcs
P		Φ 4 x 22	4pcs
Q		Φ 8 x 40	6pcs
R			2pcs
S		Φ 3 x 16	4pcs
T			2pcs
U		Φ 3 x 14	4pcs
V			2pcs
W		∅8x40	1pc
X		∅12x12x1	2pcs
Y		∅5x40	1pc
Z		∅4x25	1pc
A1		197×5×1	1pc
B1		Glue: For securing please apply to wood dowel first before inserting into panel	1pc

# ASSEMBLY INSTRUCTION

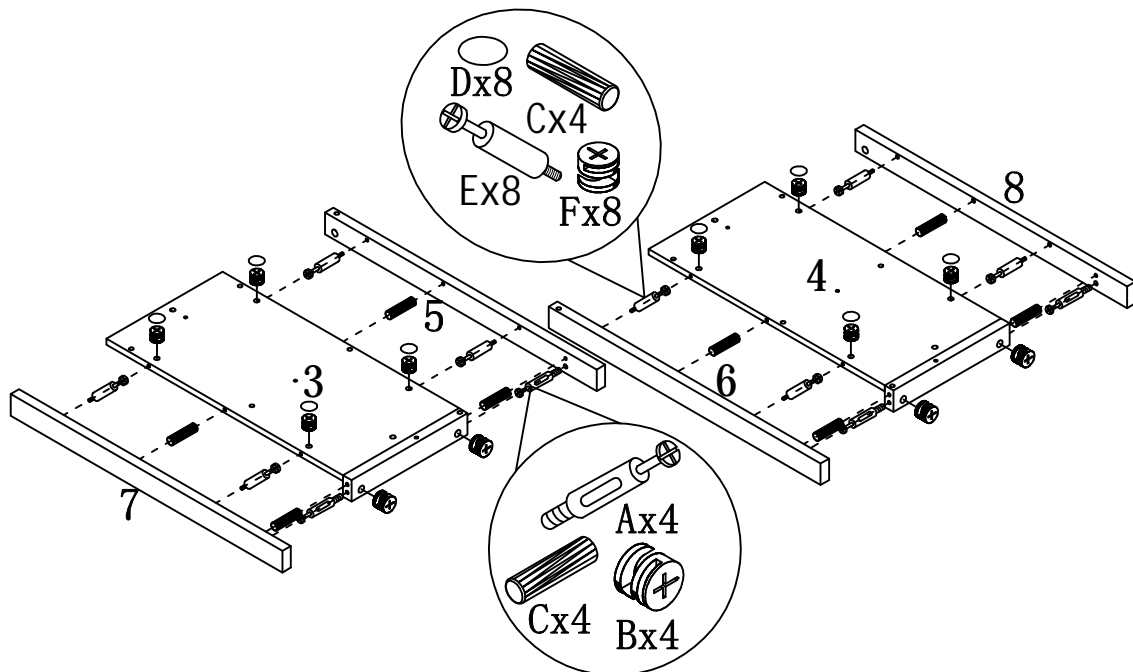
ITEM#: 171957

<p>HOW TO</p>  <p>Cam Bolt</p>  <p>Cam Lock</p>	<p>1</p> 	<p>2</p> 	<p>3</p> 	<p>4</p>  <p>180°</p>
	<p>1. Screw Cam Bolt into panel.</p>	<p>2. Insert Cam Bolt into bolt hole of joining panel.</p>	<p>3. Insert Cam Lock. arrow facing bolt.</p>	<p>4. Gently turn Cam Lock clockwise to lock position.</p>



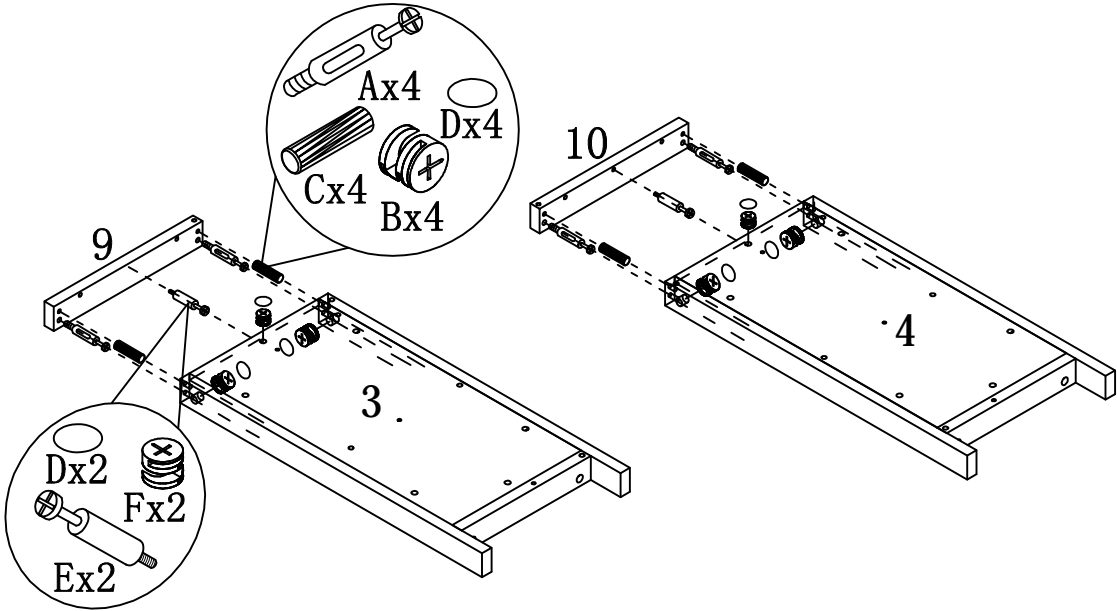
## STEP 1

## STEP 2



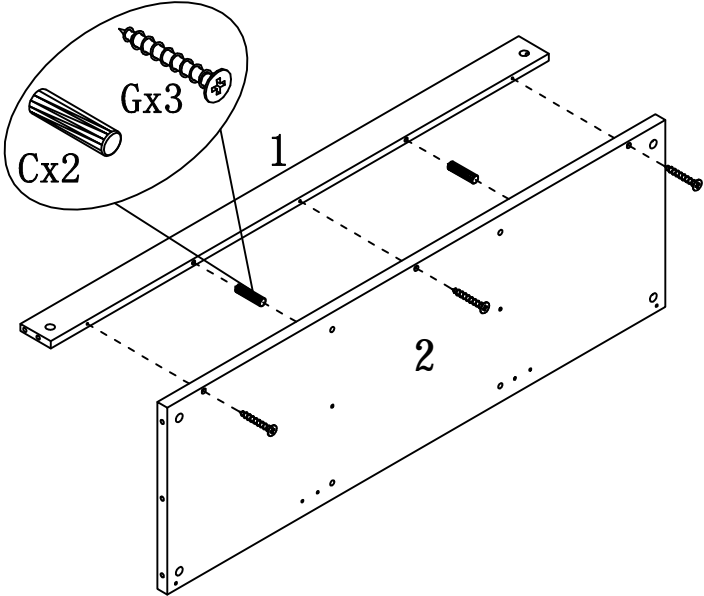
# ASSEMBLY INSTRUCTION

ITEM#: 171957



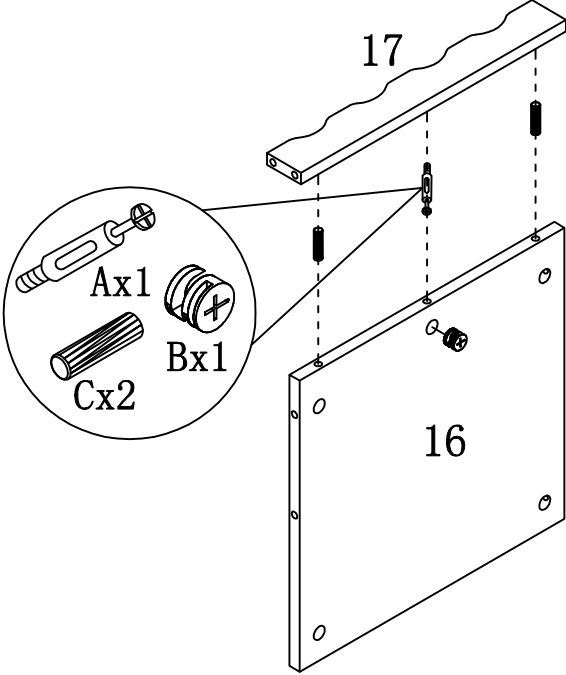
STEP3

STEP4



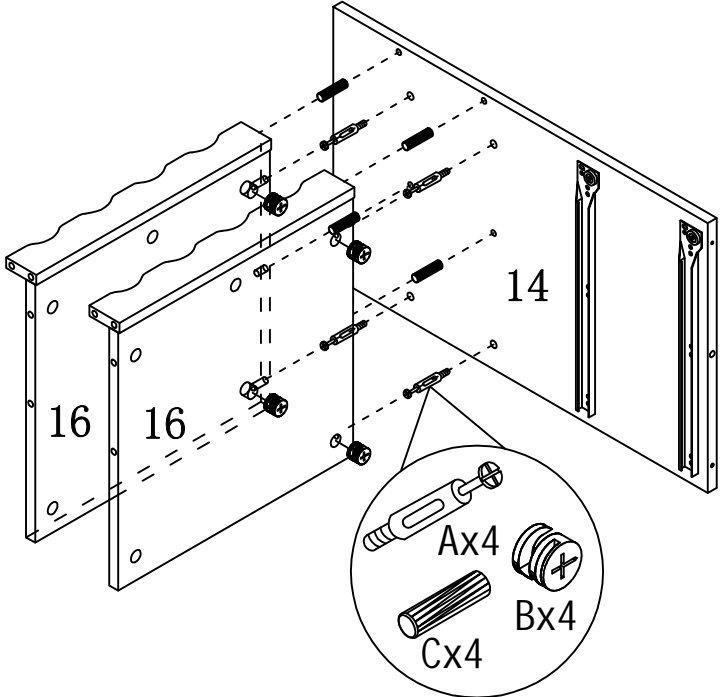
# ASSEMBLY INSTRUCTION

ITEM#: 171957



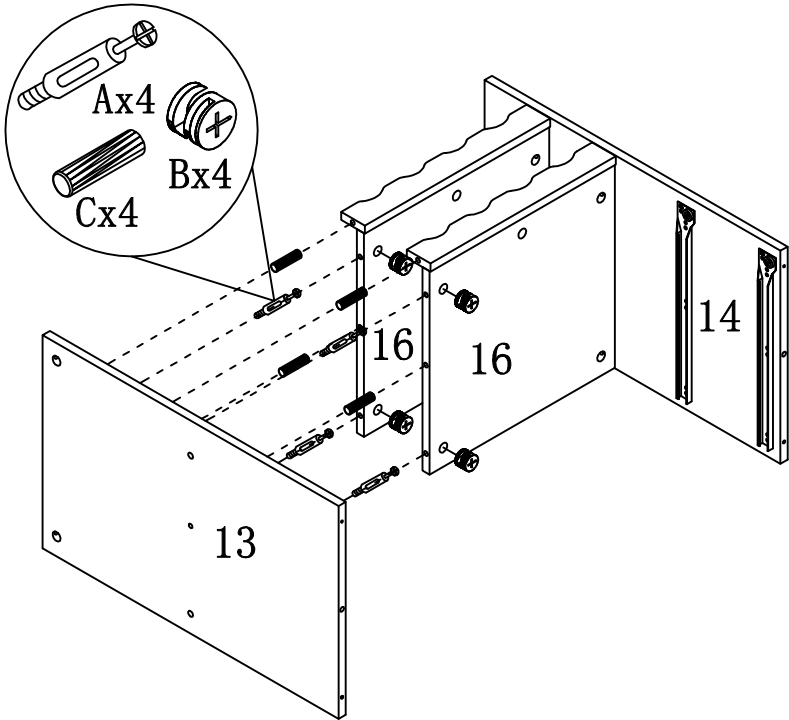
STEP5

STEP6



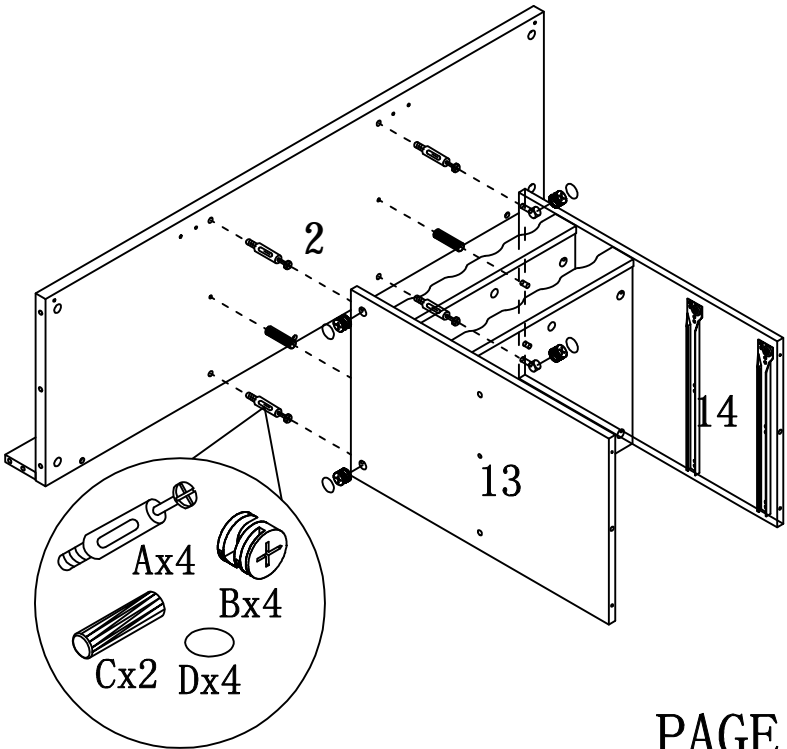
# ASSEMBLY INSTRUCTION

ITEM#: 171957



STEP7

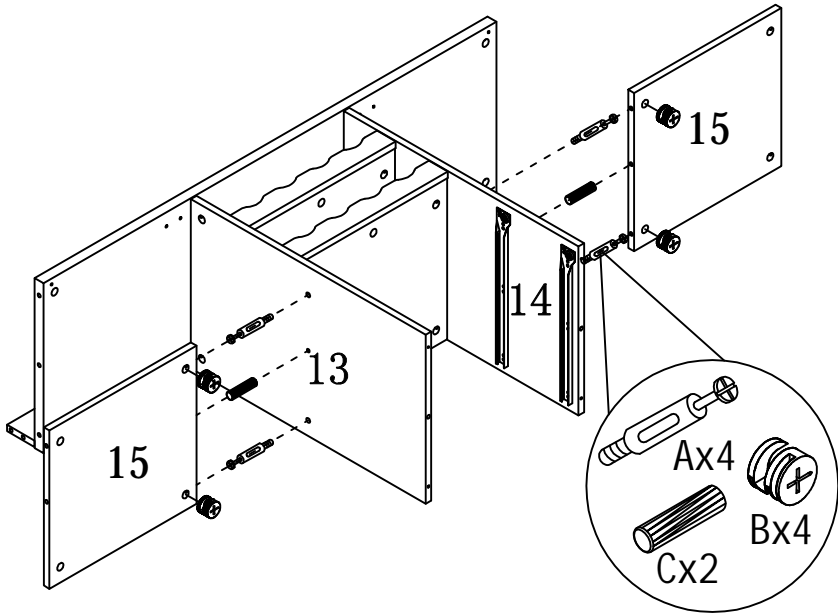
STEP8





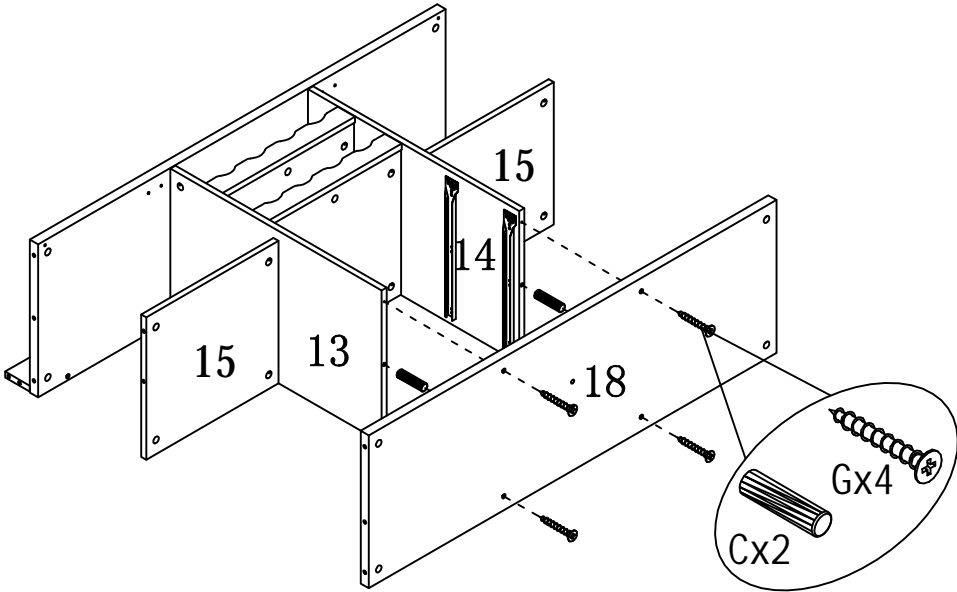
# ASSEMBLY INSTRUCTION

ITEM#: 171957



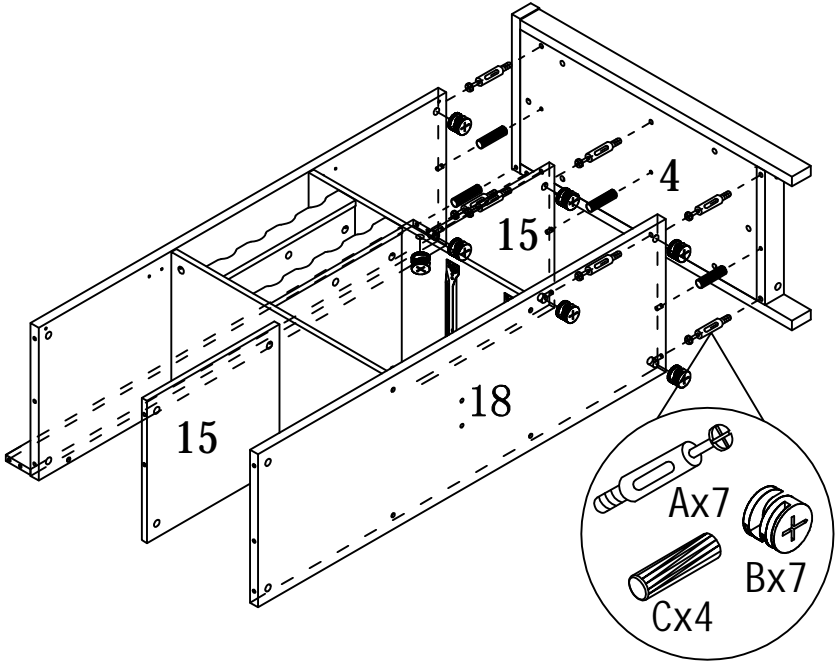
## STEP 9

## STEP 10



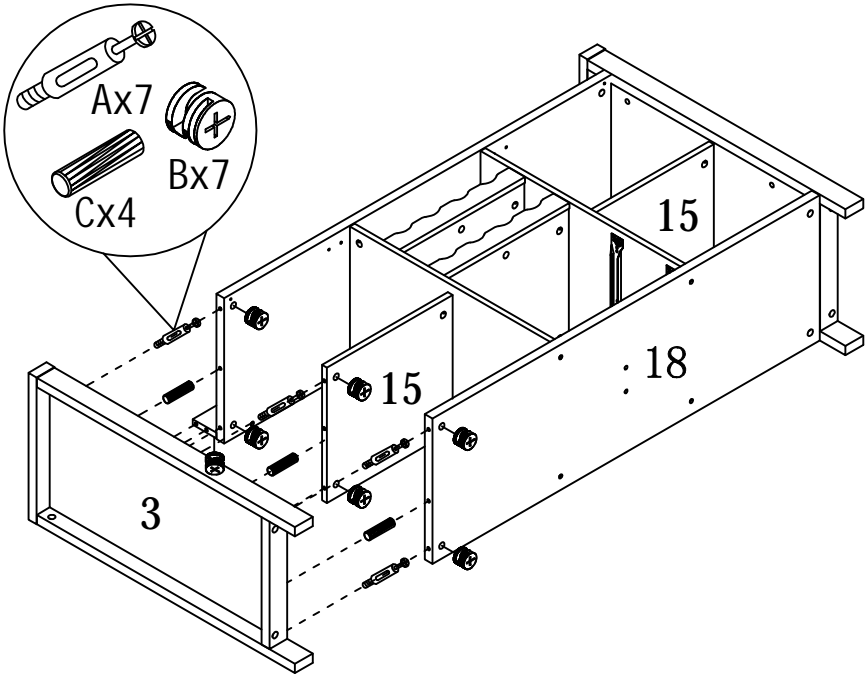
# ASSEMBLY INSTRUCTION

ITEM#: 171957



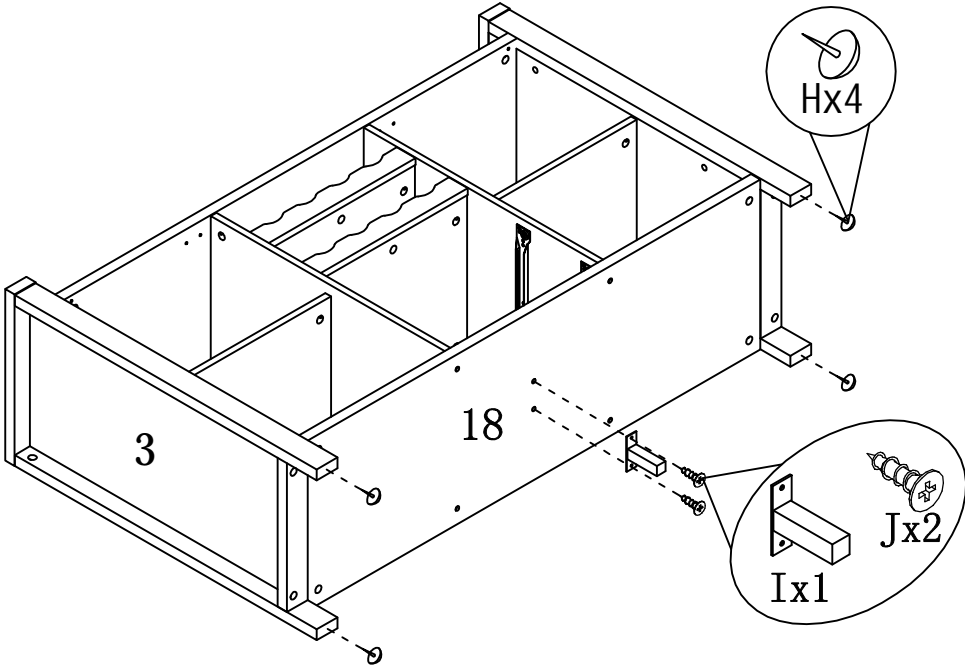
STEP11

STEP12



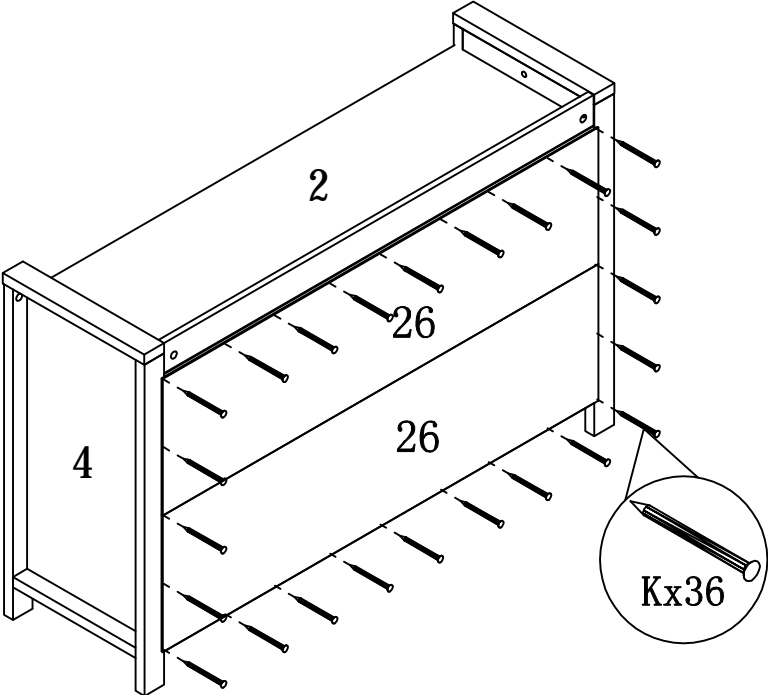
# ASSEMBLY INSTRUCTION

ITEM#: 171957



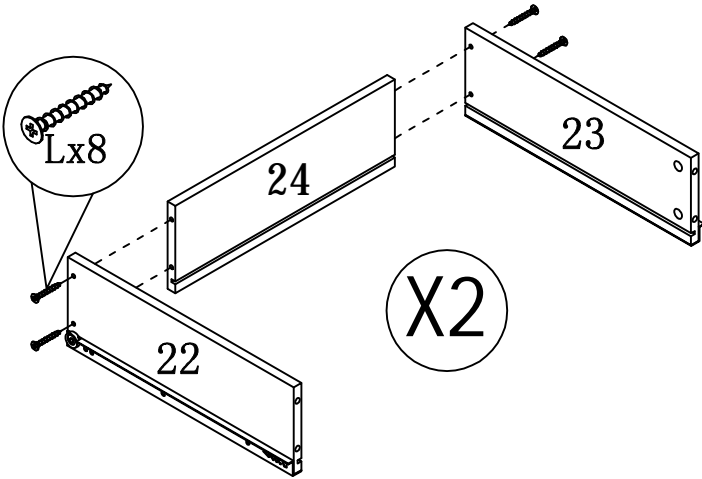
STEP13

STEP14



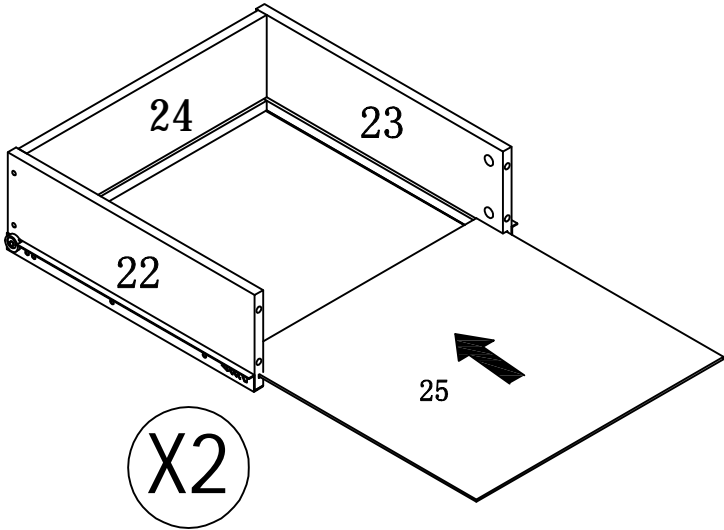
# ASSEMBLY INSTRUCTION

ITEM#: 171957



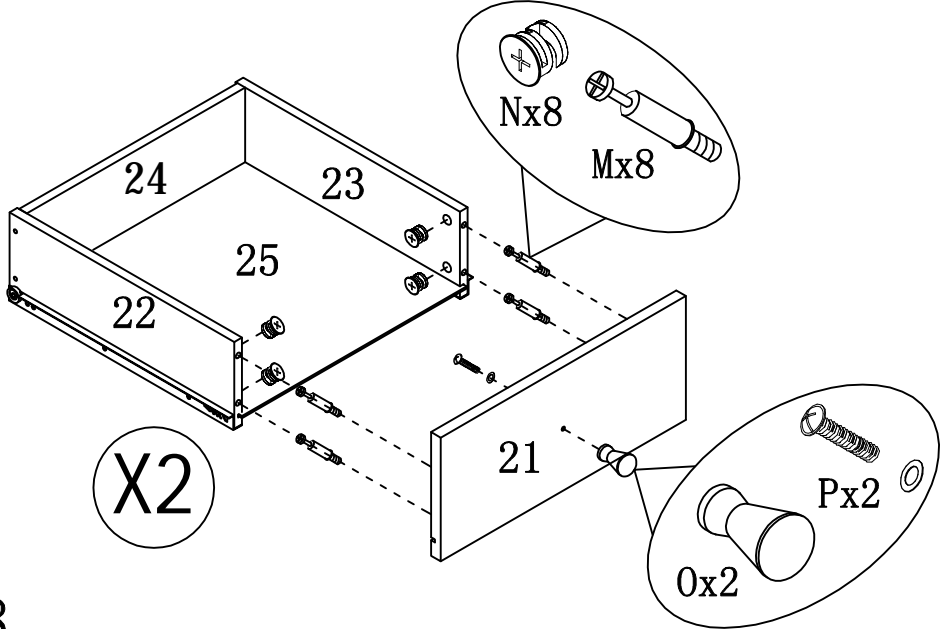
STEP 13

STEP 14



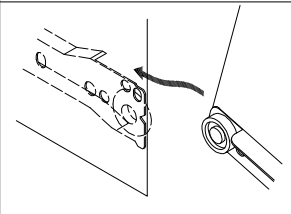
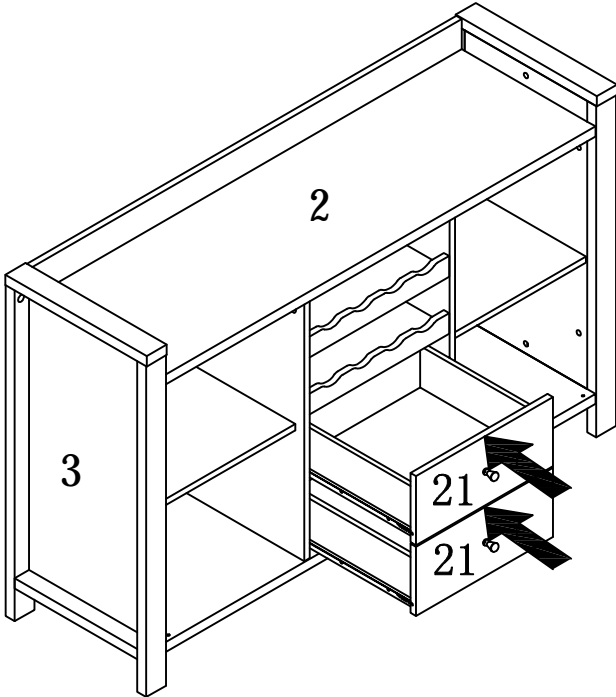
# ASSEMBLY INSTRUCTION

ITEM#: 171957



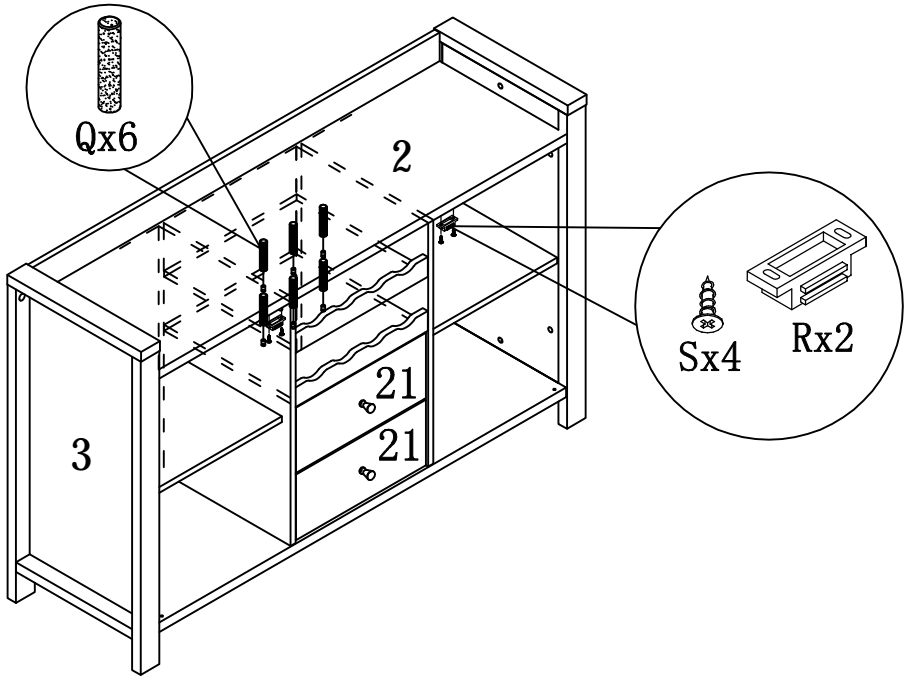
STEP 18

STEP 19



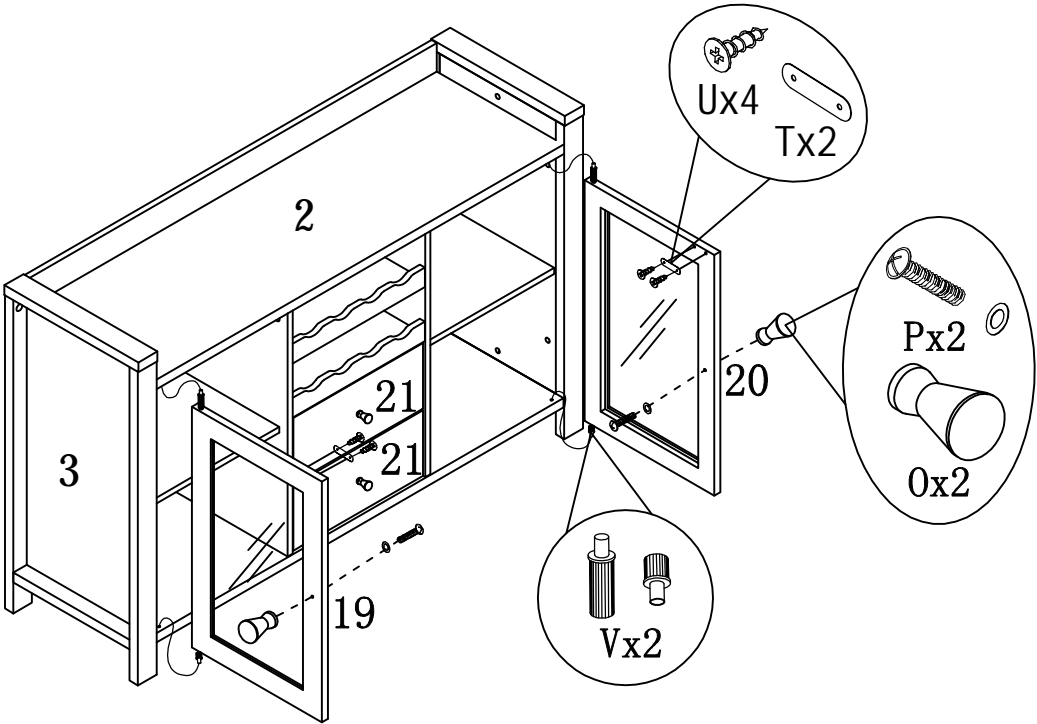
# ASSEMBLY INSTRUCTION

ITEM#: 171957



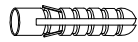
STEP 18

STEP 19

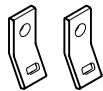


# ANTI-TIPPING STRAP INSTRUCTION

## HARDWARE (INCLUDED) :



DRYWALL ANCHOR  $\phi 8 \times 40$  X 1PC



METAL BRACKETS  $12 \times 12 \times 1$  X 2PCS



DRYWALL SCREW  $\phi 5 \times 40$  X 1PC

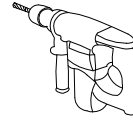


STRAP  $197 \times 5 \times 1$  X 1PC



FLATHEAD SCREW  $\phi 4 \times 25$  X 1PC

## TOOLS NEEDED ( NOT INCLUDED) :



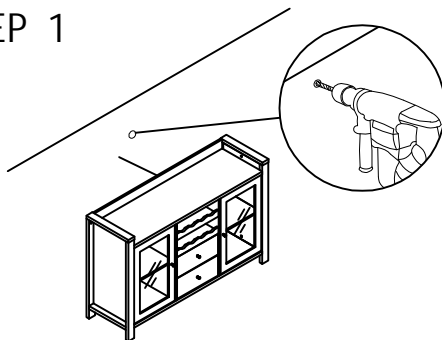
DRILL & DRILL BIT



LIGHT HAMMER

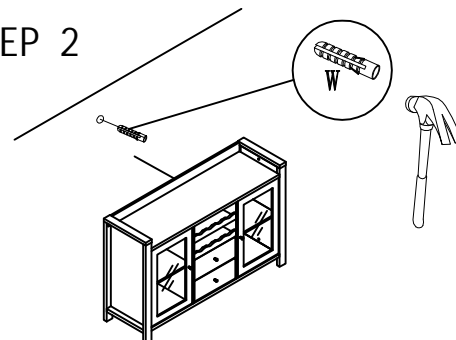
Note: Hardware included only compatible with standard drywalls.

### STEP 1



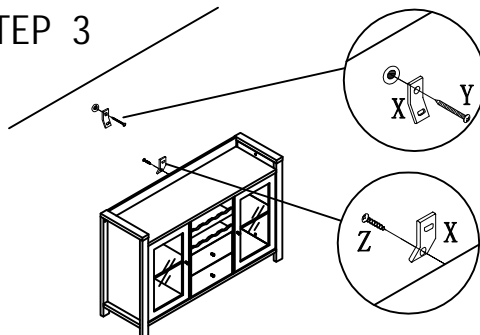
1. Find spot on wall 1" below top of item.
2. Using a drill bit slightly thinner than anchor, drill hole into drywall.

### STEP 2



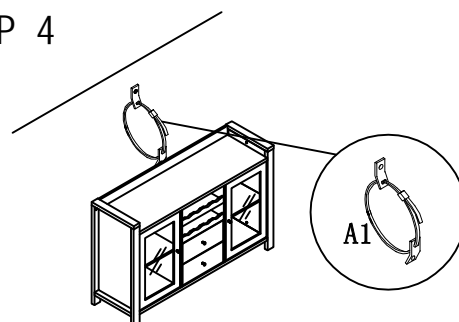
1. Use a light hammer to tap anchor into hole.
2. Anchor should fit snugly. If hole is too small, drill again to increase hole size. Do not force anchor into wall.

### STEP 3



1. Insert drywall screw into metal bracket and into drywall anchor.
2. Insert flathead screw into second metal bracket and into back of item along top edge.

### STEP 4



1. Insert strap thru bracket attached to wall, then thru bracket on item, and into head of strap.
  2. pull lightly til strap stops.
- Assembly is complete.