

ASSEMBLY INSTRUCTION

PLEASE READ BEFORE ASSEMBLING!

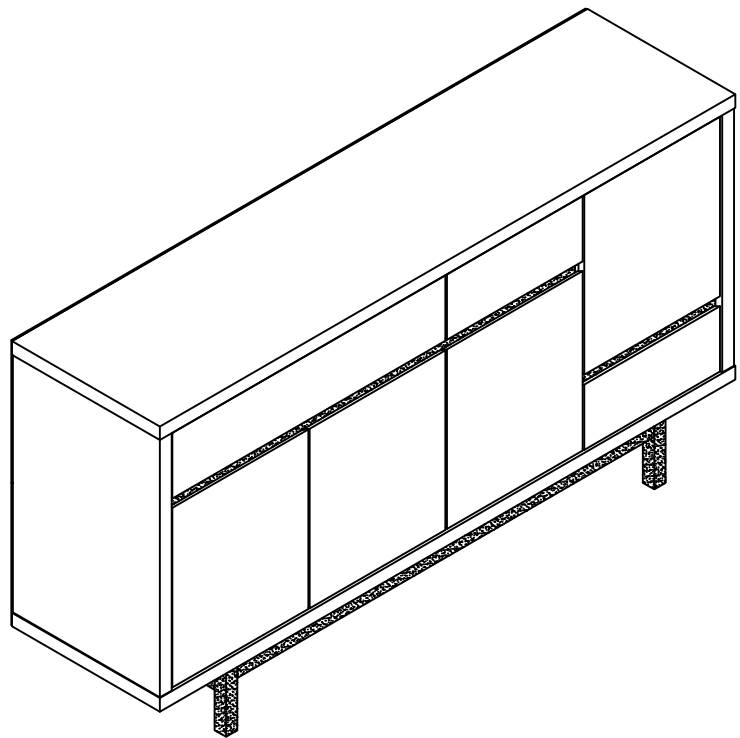
Tip #1: Make sure you've taken all the pieces and hardware out of its packaging before discarding the box.

Tip #2: Using page 2 and/or page 3 of instruction manual make sure all pieces and hardware are accounted for.

Tip #3: Read manual before assembling, it helps!

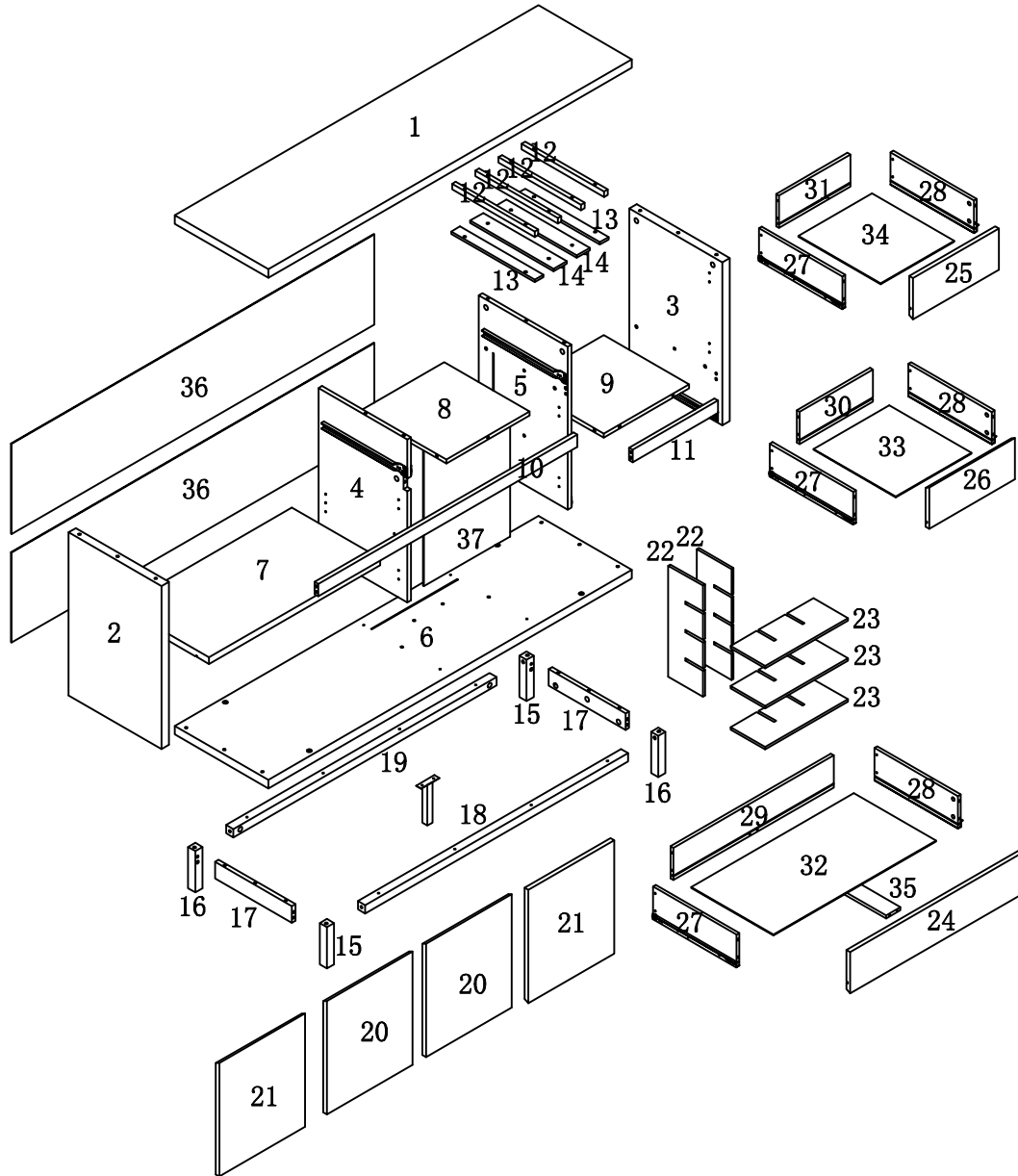
ITEM#: 171959

Need some help?
Scan here for
assembly video.



PARTS IDENTIFICATION

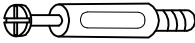





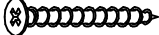



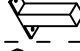


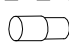


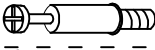
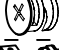
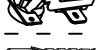
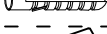

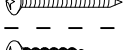


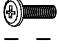
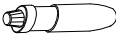
ITEM#: 171959



(1)	1pc	(10)	1pc	(19)	1pc	(28)	3pcs	(37)	1pc
(2)	1pc	(11)	1pc	(20)	2pcs	(29)	1pc		
(3)	1pc	(12)	4pcs	(21)	2pcs	(30)	1pc		
(4)	1pc	(13)	2pcs	(22)	2pcs	(31)	1pc		
(5)	1pc	(14)	2pcs	(23)	3pcs	(32)	1pc		
(6)	1pc	(15)	2pcs	(24)	1pc	(33)	1pc		
(7)	1pc	(16)	2pcs	(25)	1pc	(34)	1pc		
(8)	1pc	(17)	2pcs	(26)	1pc	(35)	1pc		
(9)	1pc	(18)	1pc	(27)	3pcs	(36)	2pcs		

HARDWARE IDENTIFICATION

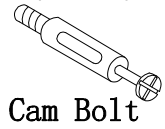
ITEM#: 171959

A		L29	31pcs
B		Φ 15	31pcs
C		Φ 8 x 25	35pcs
D		Φ 22	4pcs
E		M7 x 48	4pcs
F		Φ 8 x Φ 16x2	8pcs
G		Ø4 x 40	12pcs
H		M6 x 35	12pcs
I		Φ 6 x 30	2pcs
J		Φ 16	4pcs
K		80 x 25x150	1pc
L		Φ 4 x 16	32pcs
M			42pcs
N		Φ 5 x 15	4pcs
O		301C	4pcs
P		Φ 4 x 30	14pcs
Q		L20	12pcs
R		Φ 12	12pcs
S		301B	4pcs
T		Ø8x40	1pc
U		Φ12x12x1	2pcs
V		Φ5x40	1pc
W		Φ4x25	1pc
X		197×5×1	1pc
Y		M6x12	2pcs
Z		Glue: For securing please apply to wood dowel first before inserting into panel	1pc

ASSEMBLY INSTRUCTION

ITEM#: 171959

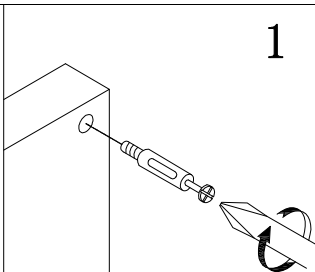
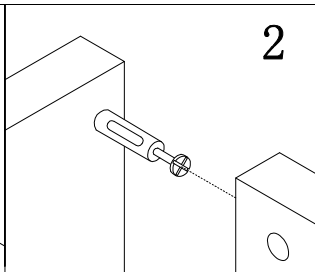
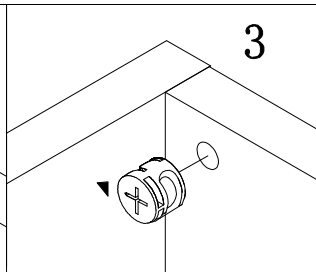
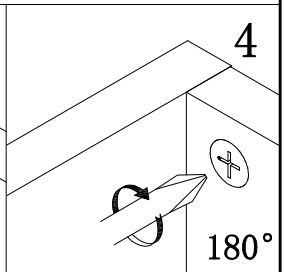
HOW TO

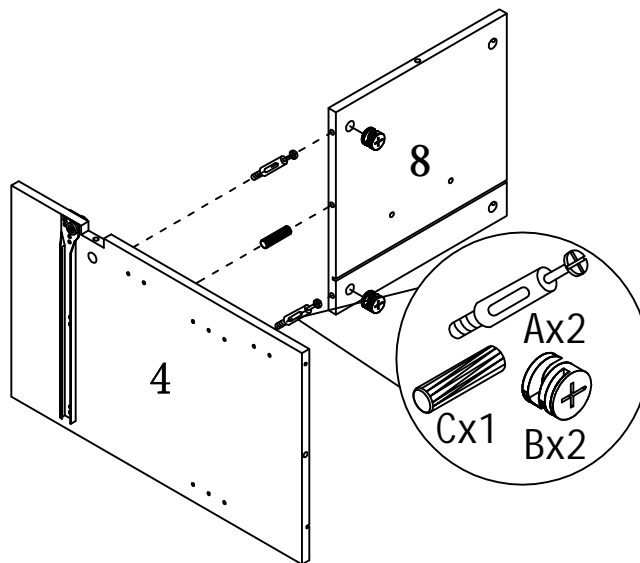


Cam Bolt



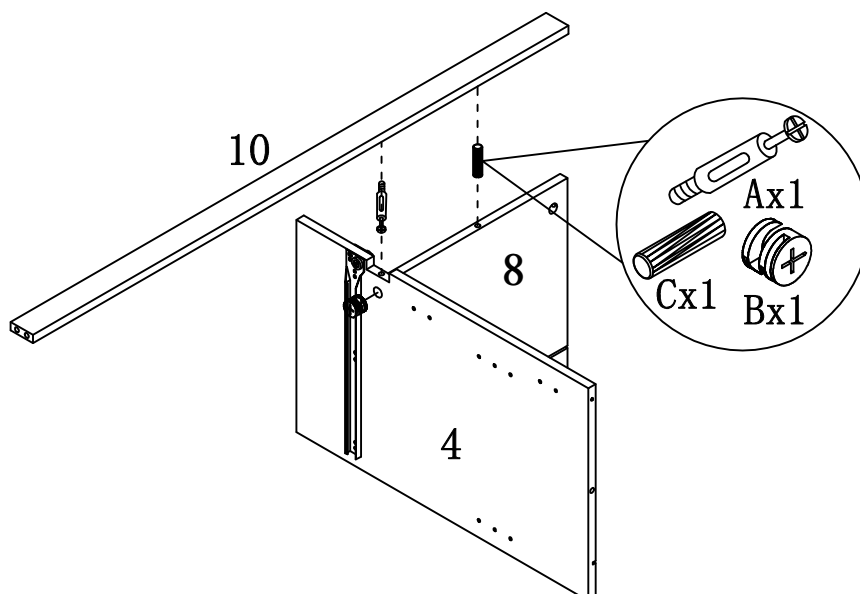
Cam Lock

	1	2	3	4
				
	1. Screw Cam Bolt into panel.	2. Insert Cam Bolt into bolt hole of joining panel.	3. Insert Cam Lock. arrow facing bolt.	4. Gently turn Cam Lock clockwise to lock position.



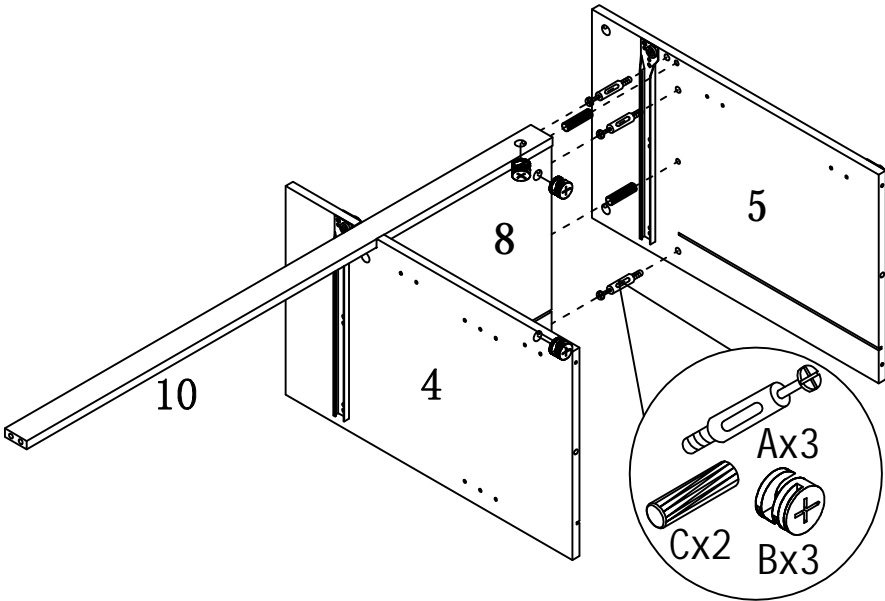
STEP 1

STEP 2



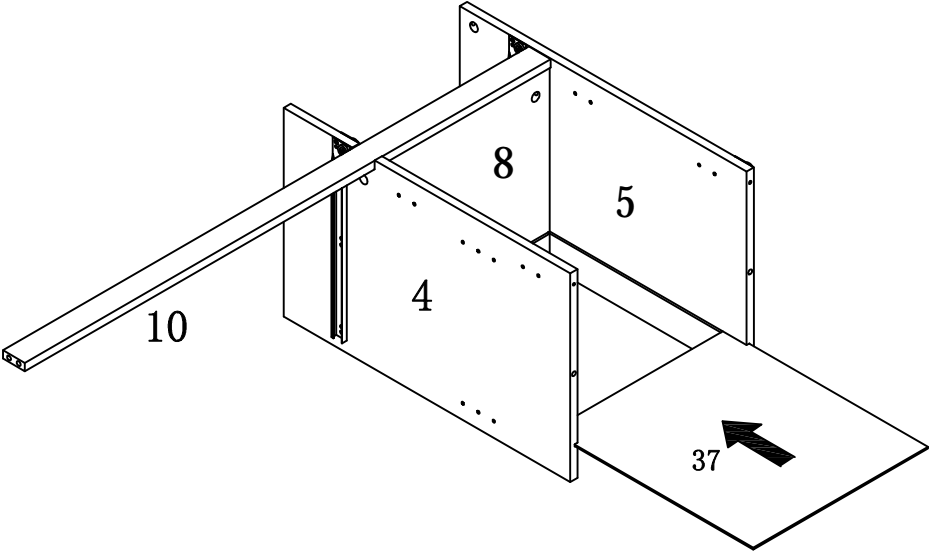
ASSEMBLY INSTRUCTION

ITEM#: 171959



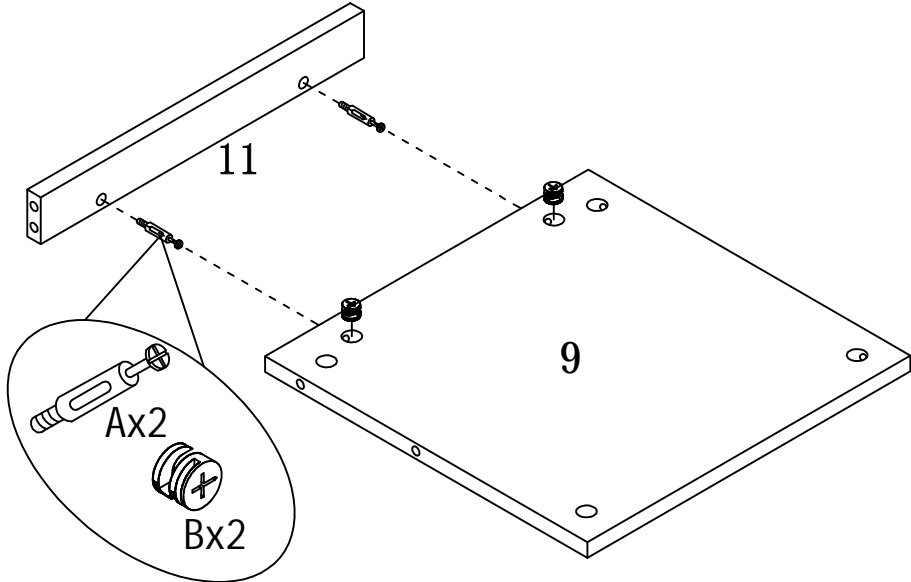
STEP3

STEP4



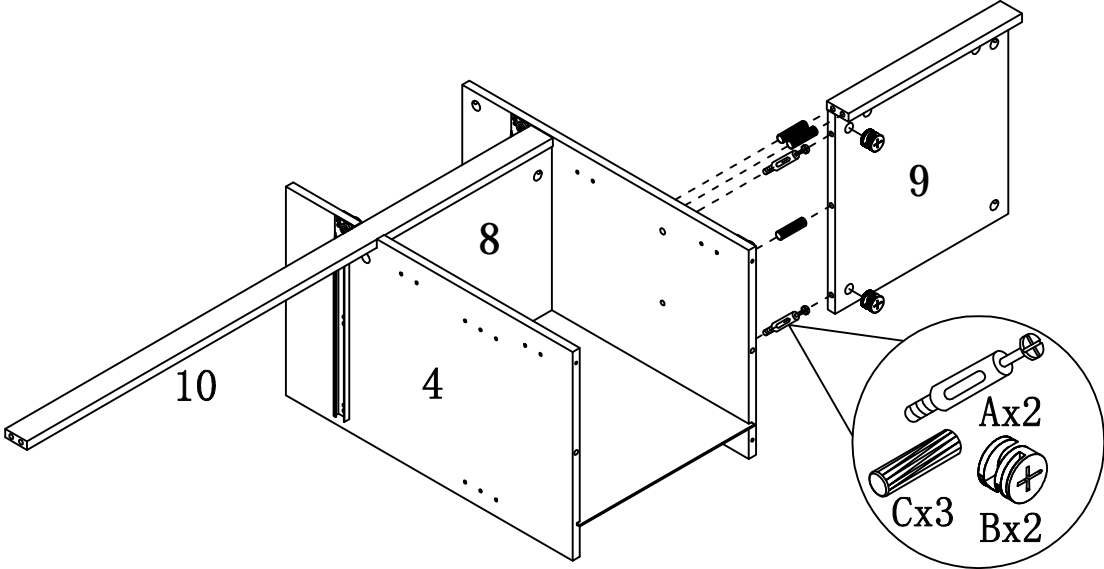
ASSEMBLY INSTRUCTION

ITEM#: 171959



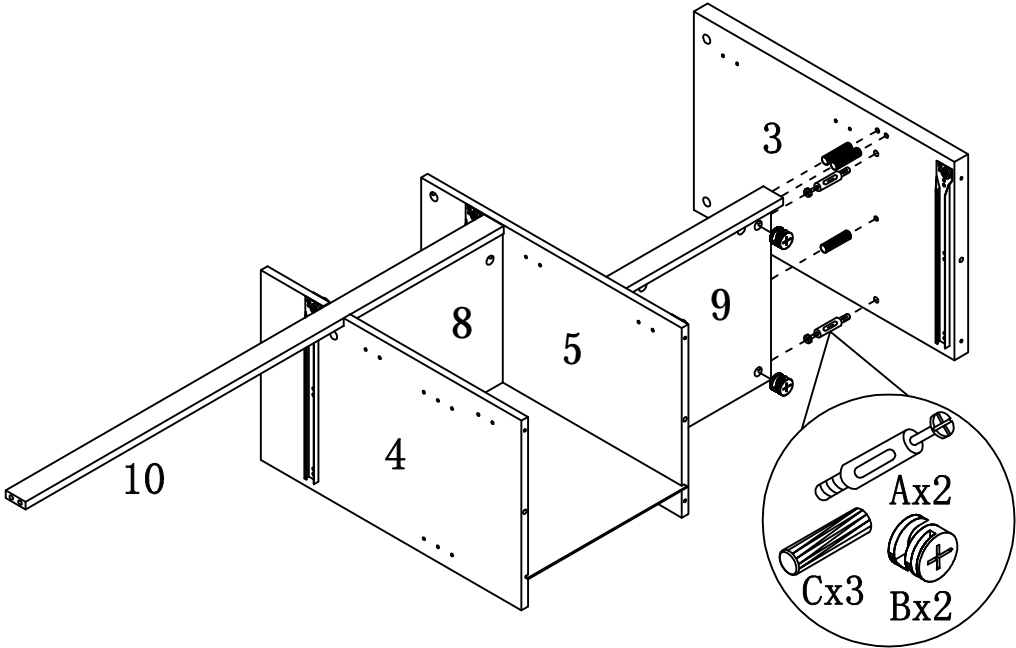
STEP5

STEP6



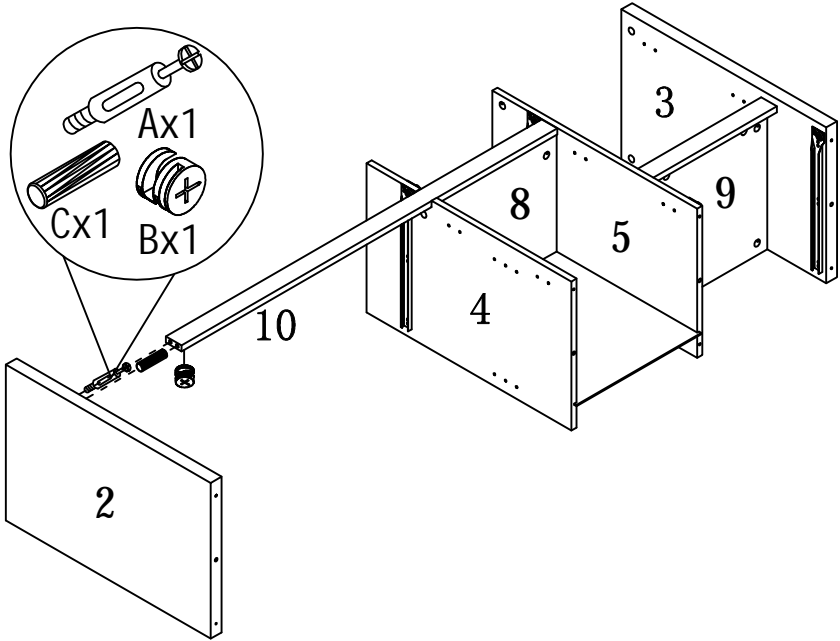
ASSEMBLY INSTRUCTION

ITEM#: 171959



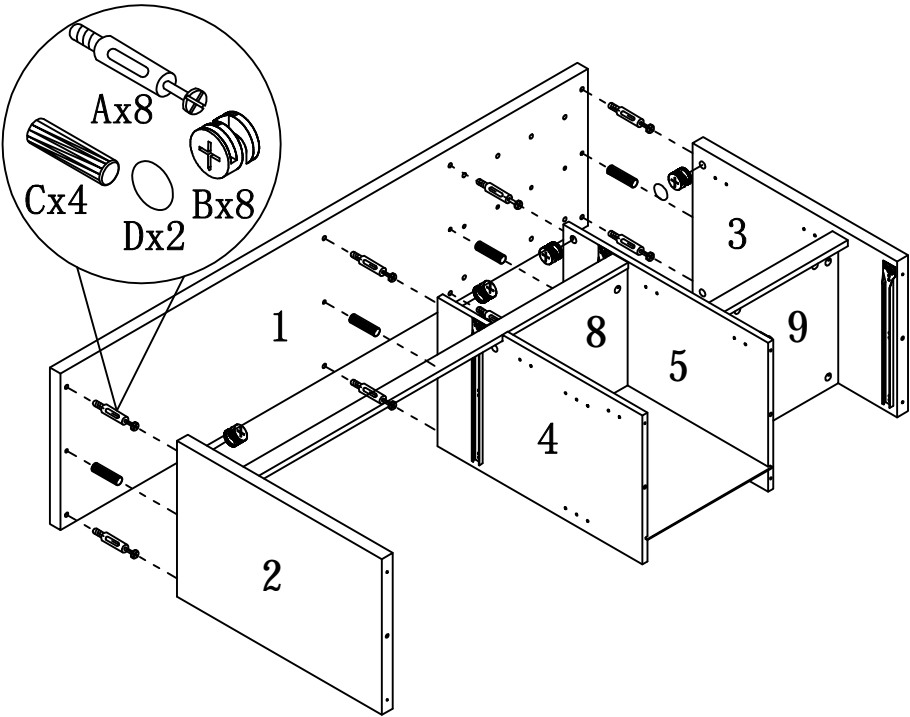
STEP7

STEP8



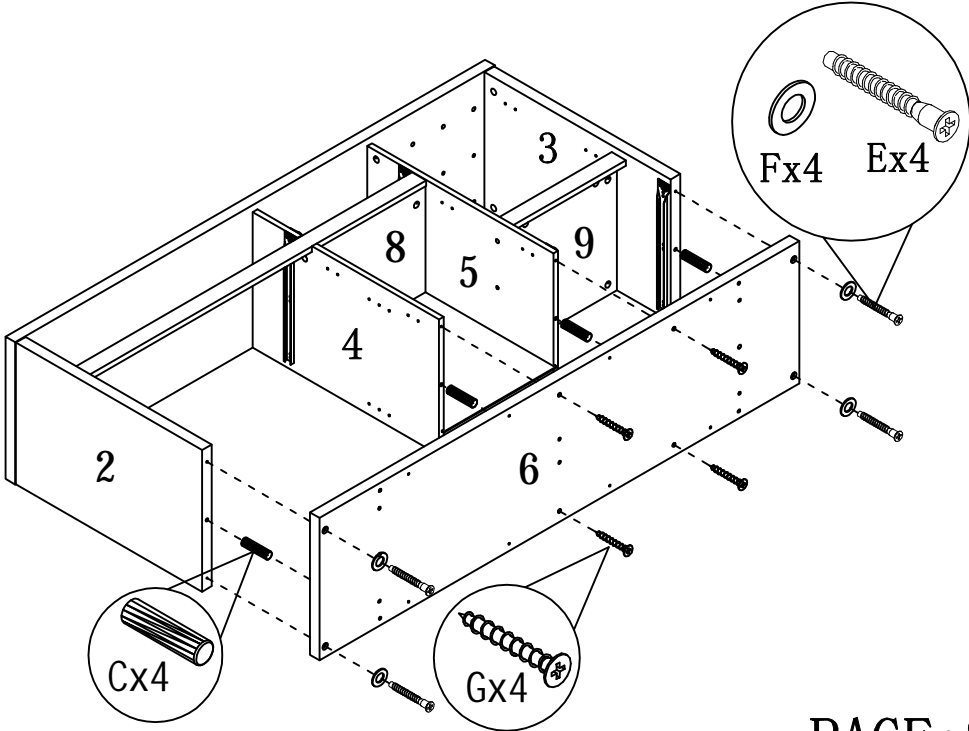
ASSEMBLY INSTRUCTION

ITEM#: 171959



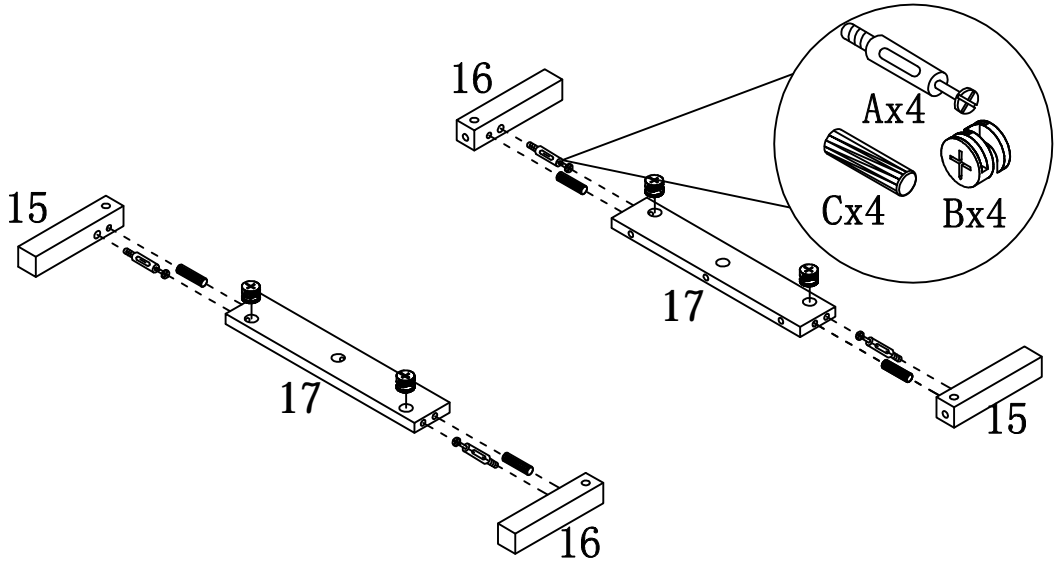
STEP9

STEP10



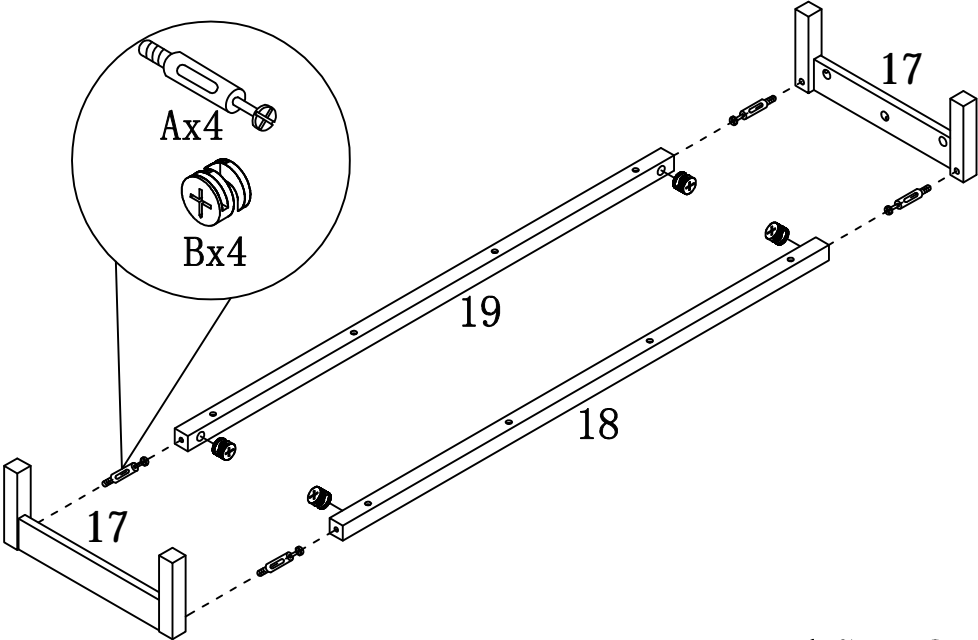
ASSEMBLY INSTRUCTION

ITEM#: 171959



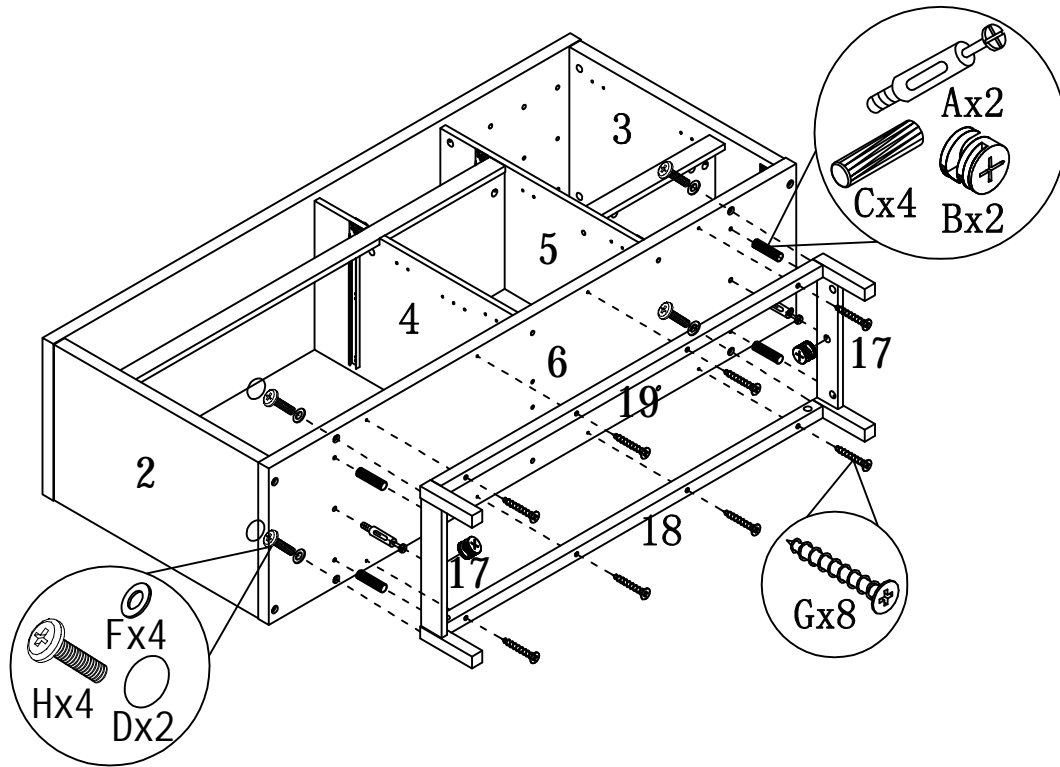
STEP11

STEP12



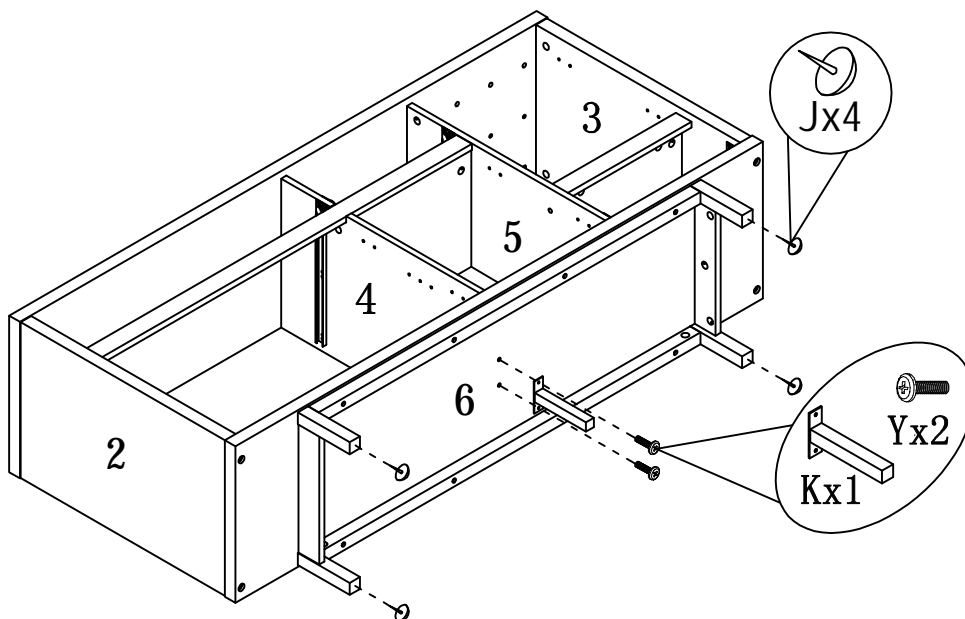
ASSEMBLY INSTRUCTION

ITEM#: 171959



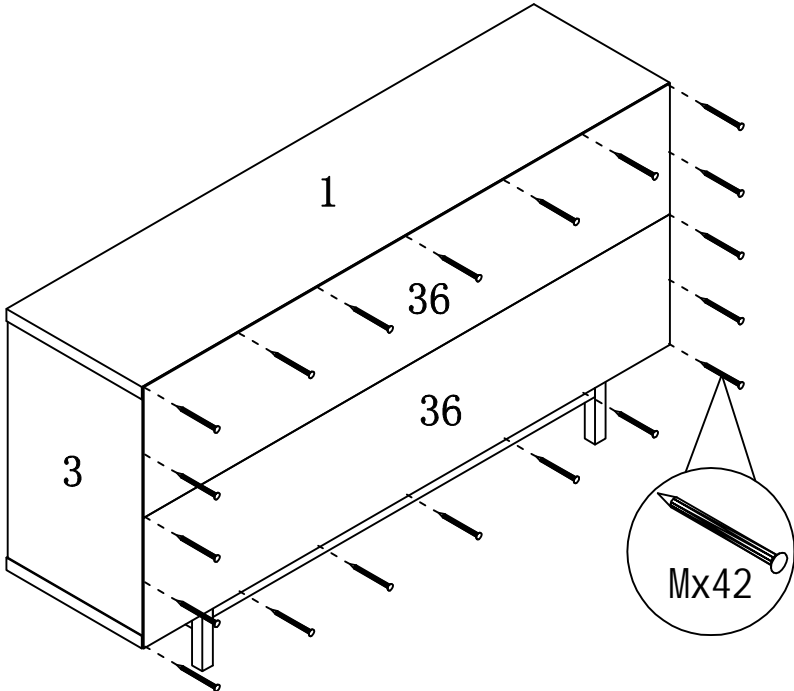
STEP 13

STEP 14



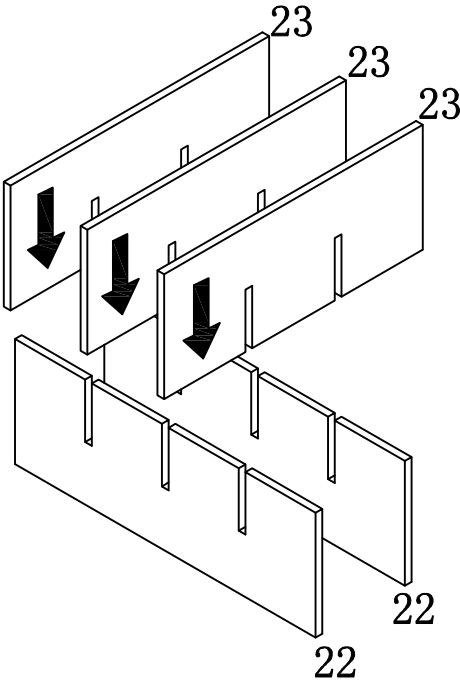
ASSEMBLY INSTRUCTION

ITEM#: 171959



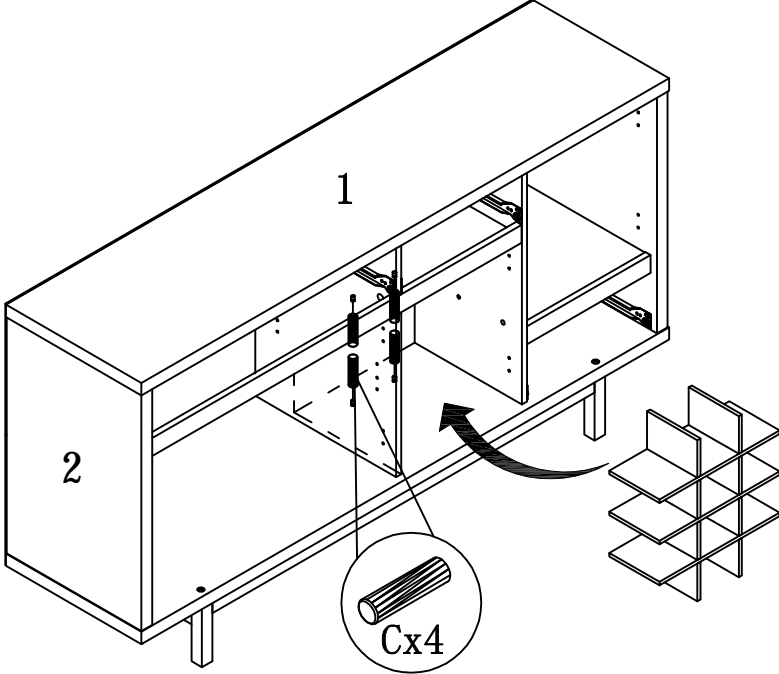
STEP15

STEP16



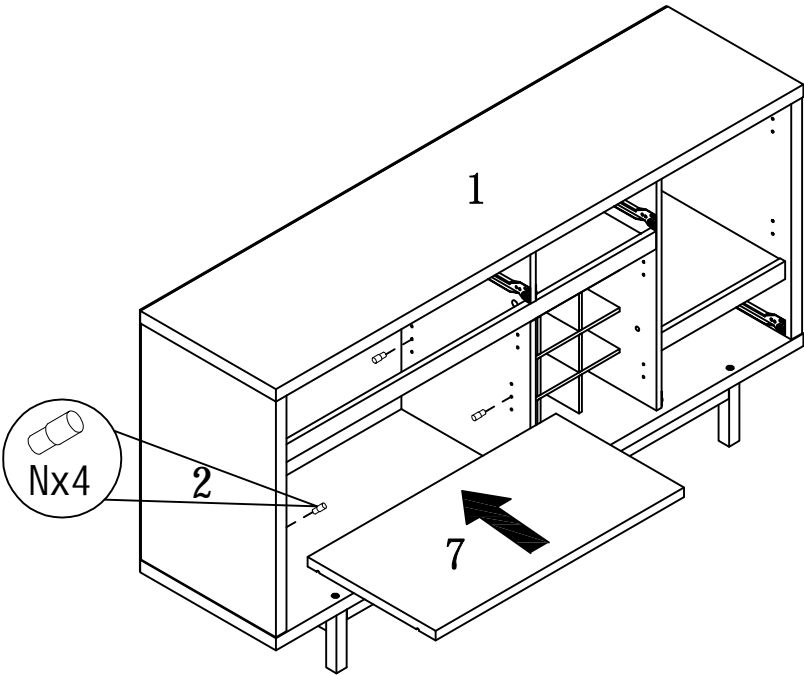
ASSEMBLY INSTRUCTION

ITEM#: 171959



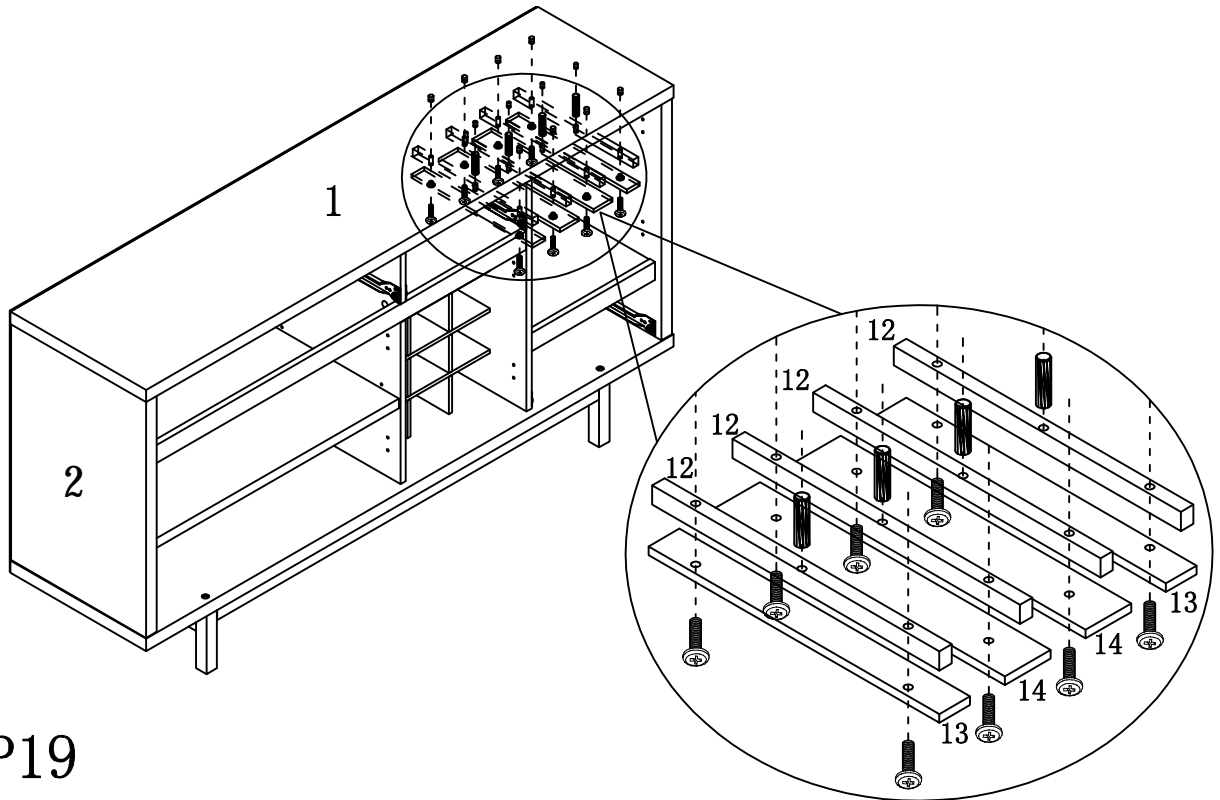
STEP 17

STEP 18



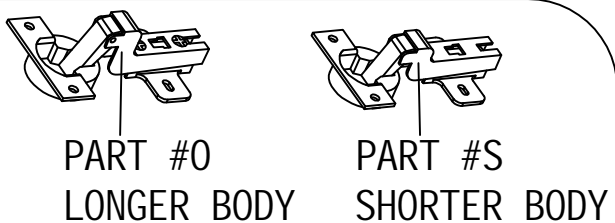
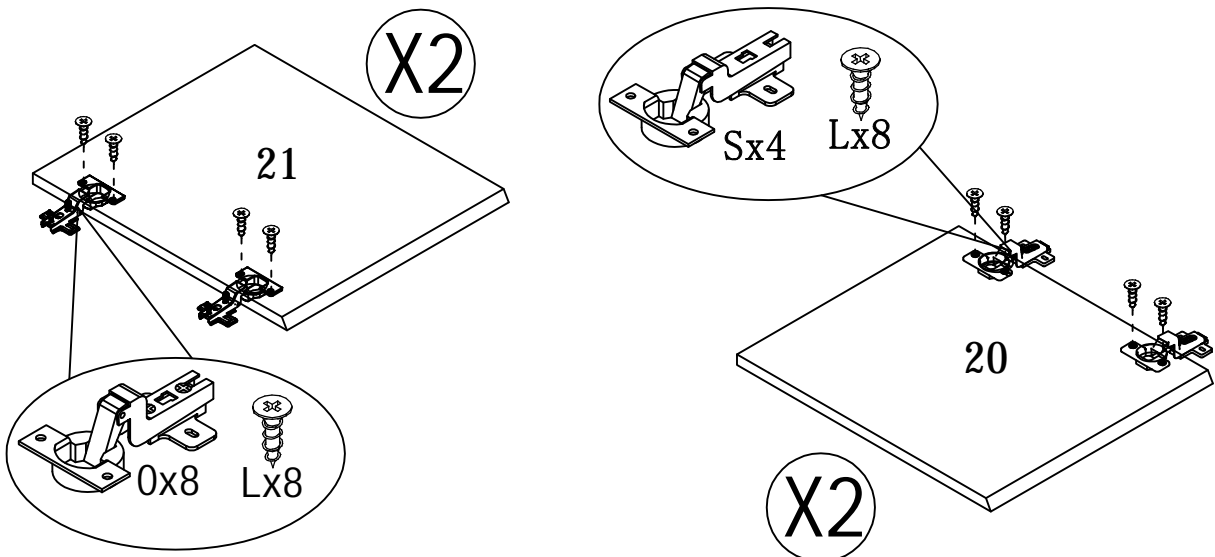
ASSEMBLY INSTRUCTION

ITEM#: 171959



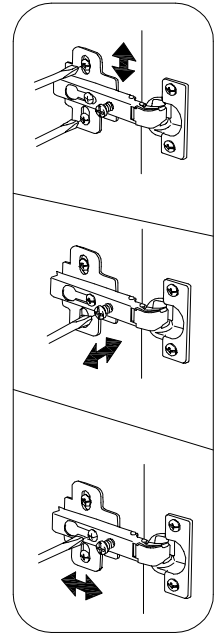
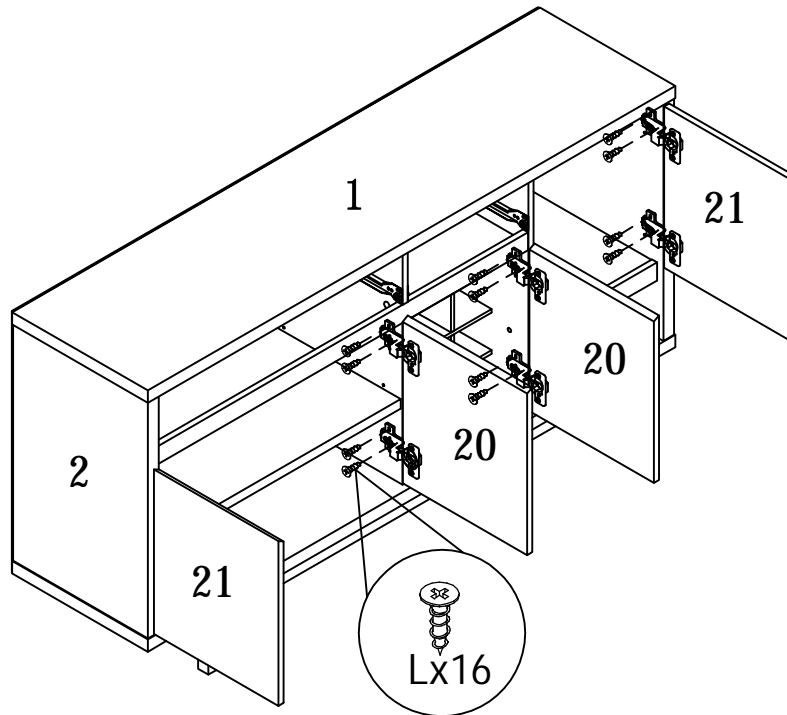
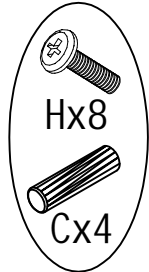
STEP 19

STEP 20



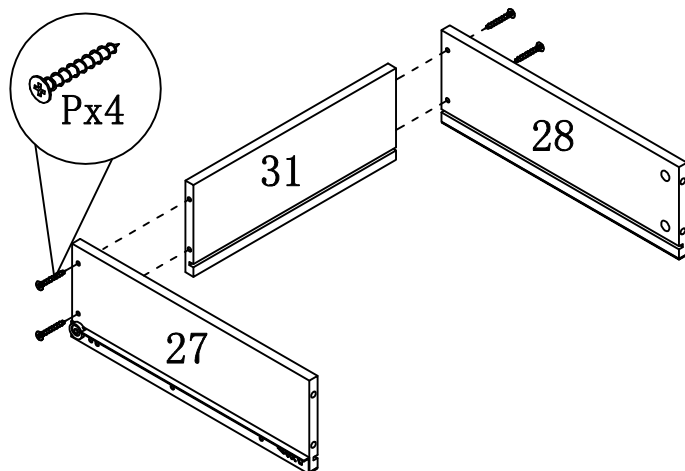
ASSEMBLY INSTRUCTION

ITEM#: 171959



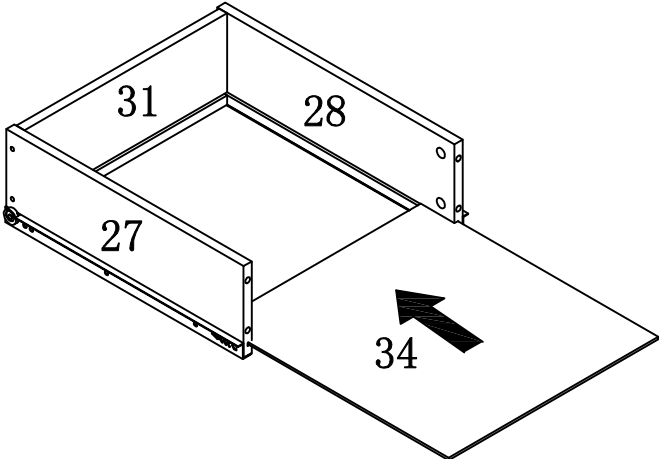
STEP21

STEP22



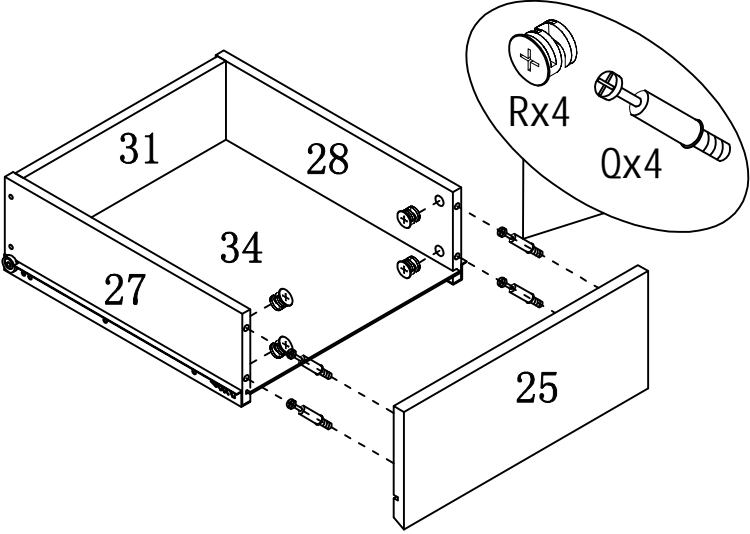
ASSEMBLY INSTRUCTION

ITEM#: 171959



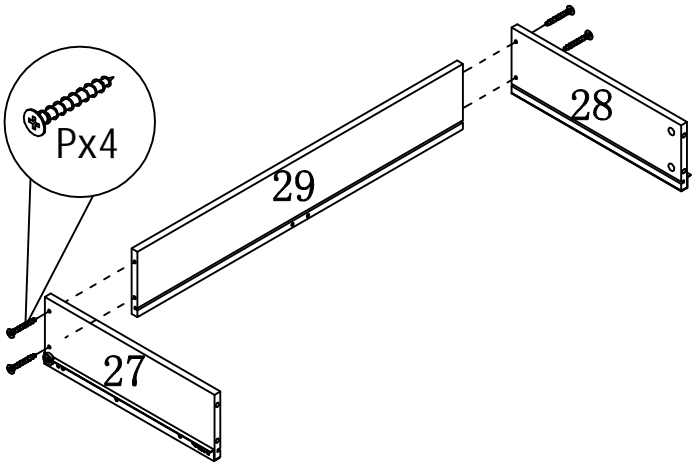
STEP23

STEP24



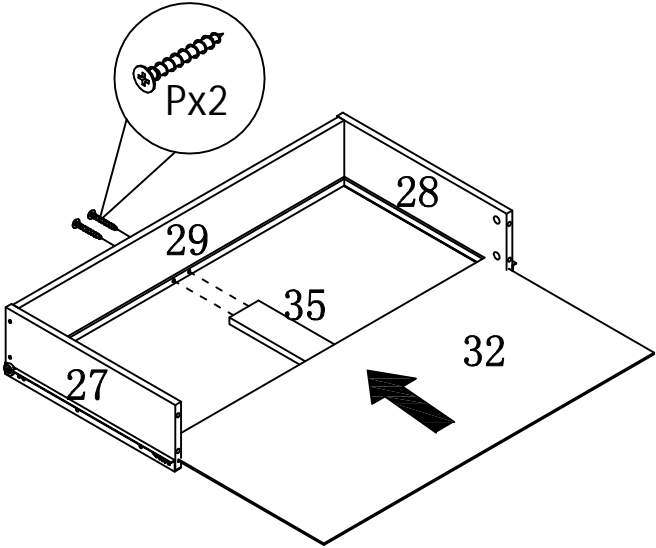
ASSEMBLY INSTRUCTION

ITEM#: 171959



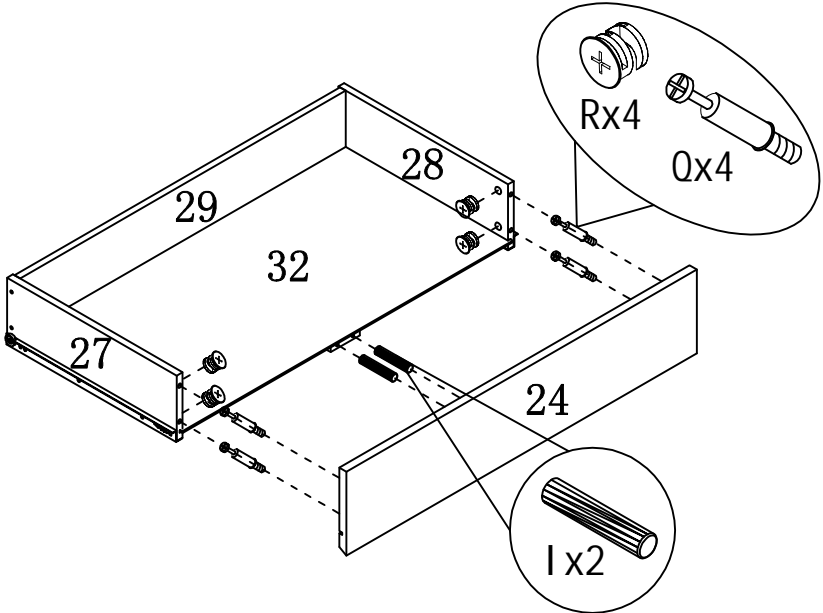
STEP25

STEP26



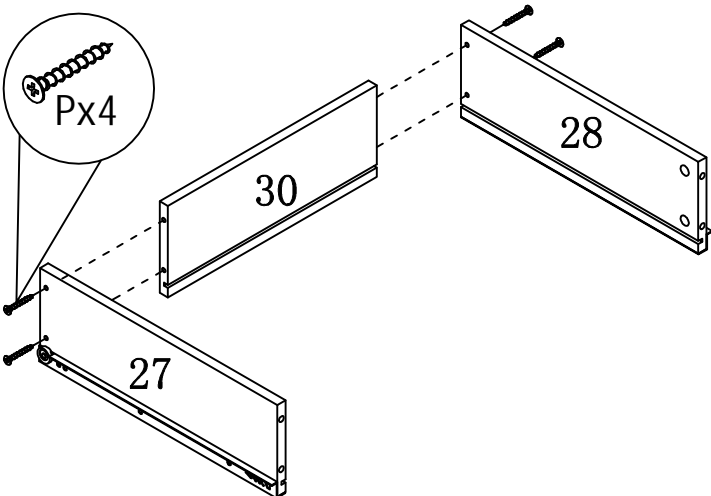
ASSEMBLY INSTRUCTION

ITEM#: 171959



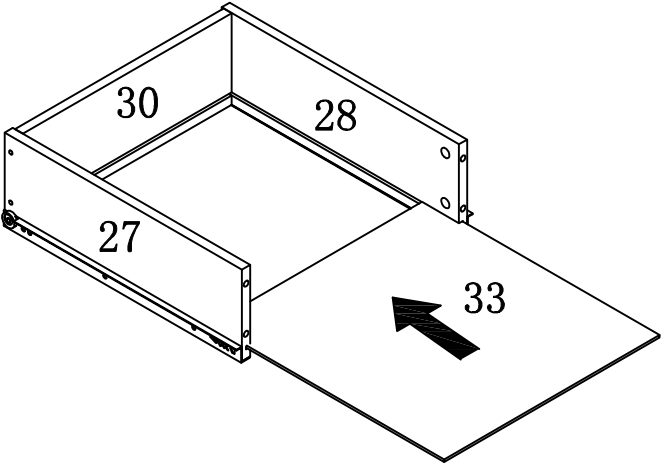
STEP27

STEP28



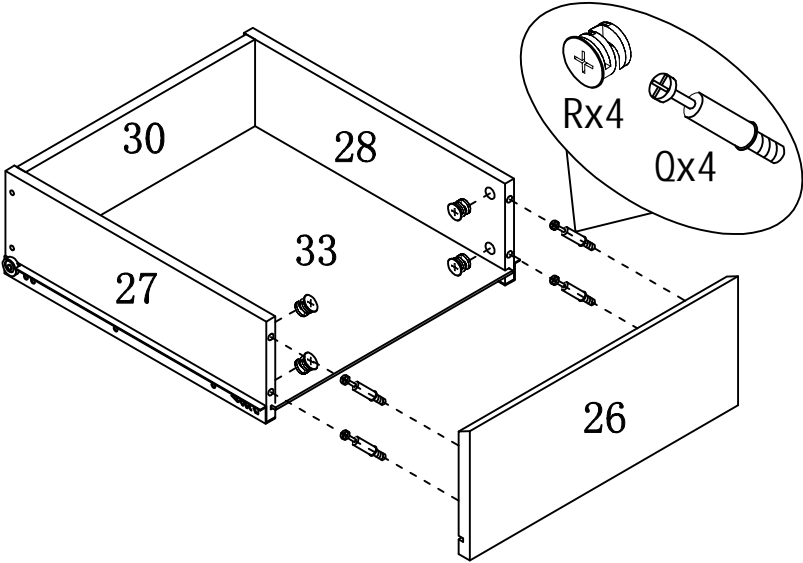
ASSEMBLY INSTRUCTION

ITEM#: 171959



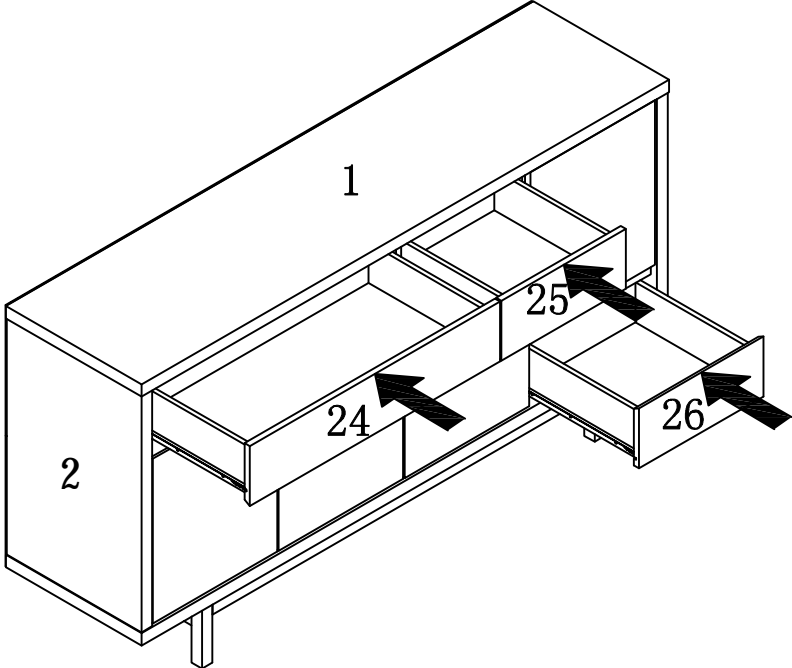
STEP29

STEP30



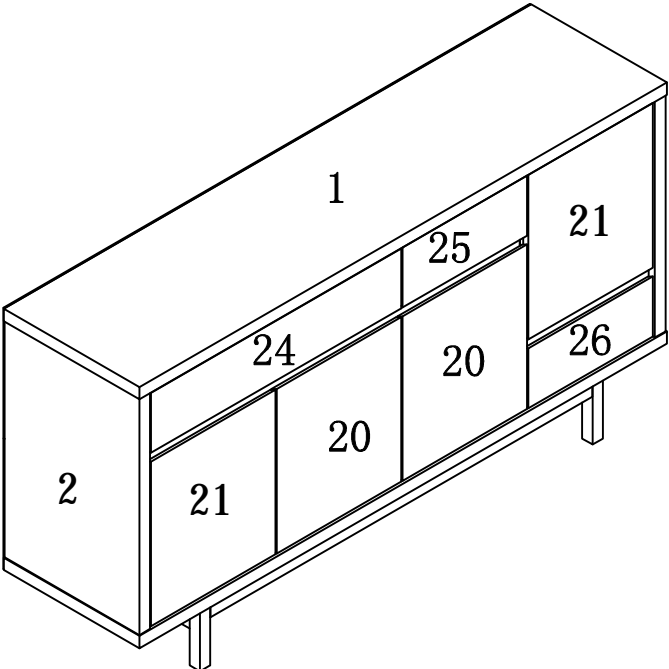
ASSEMBLY INSTRUCTION

ITEM#: 171959



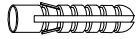
STEP31

STEP32

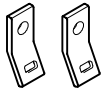


ANTI-TIPPING STRAP INSTRUCTION

HARDWARE (INCLUDED) :



DRYWALL ANCHOR $\phi 8 \times 40$ X 1PC



METAL BRACKETS $12 \times 12 \times 1$ X 2PCS



DRYWALL SCREW $\phi 5 \times 40$ X 1PC

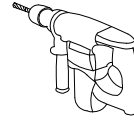


STRAP $197 \times 5 \times 1$ X 1PC



FLATHEAD SCREW $\phi 4 \times 25$ X 1PC

TOOLS NEEDED (NOT INCLUDED) :



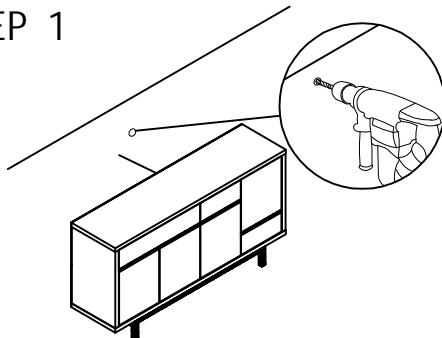
DRILL & DRILL BIT



LIGHT HAMMER

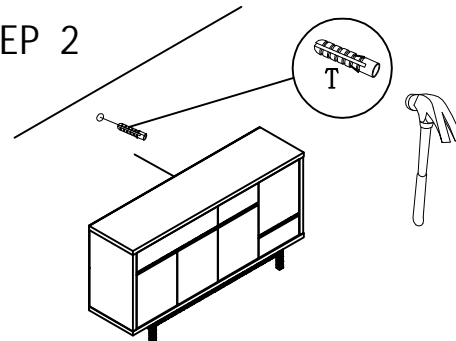
Note: Hardware included only compatible with standard drywalls.

STEP 1



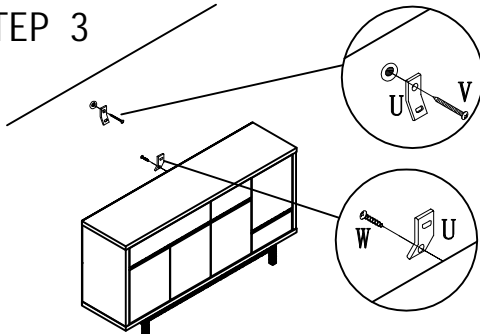
1. Find spot on wall 1" below top of item.
2. Using a drill bit slightly thinner than anchor, drill hole into drywall.

STEP 2



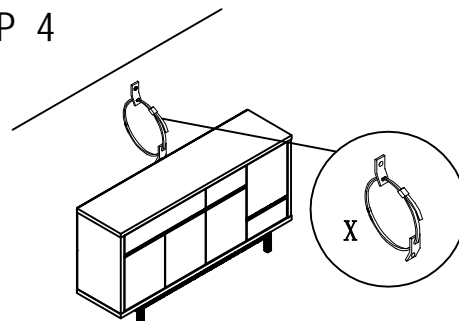
1. Use a light hammer to tap anchor into hole.
2. Anchor should fit snugly. If hole is too small, drill again to increase hole size. Do not force anchor into wall.

STEP 3



1. Insert drywall screw into metal bracket and into drywall anchor.
2. Insert flathead screw into second metal bracket and into back of item along top edge.

STEP 4



1. Insert strap thru bracket attached to wall, then thru bracket on item, and into head of strap.
 2. pull lightly til strap stops.
- Assembly is complete.