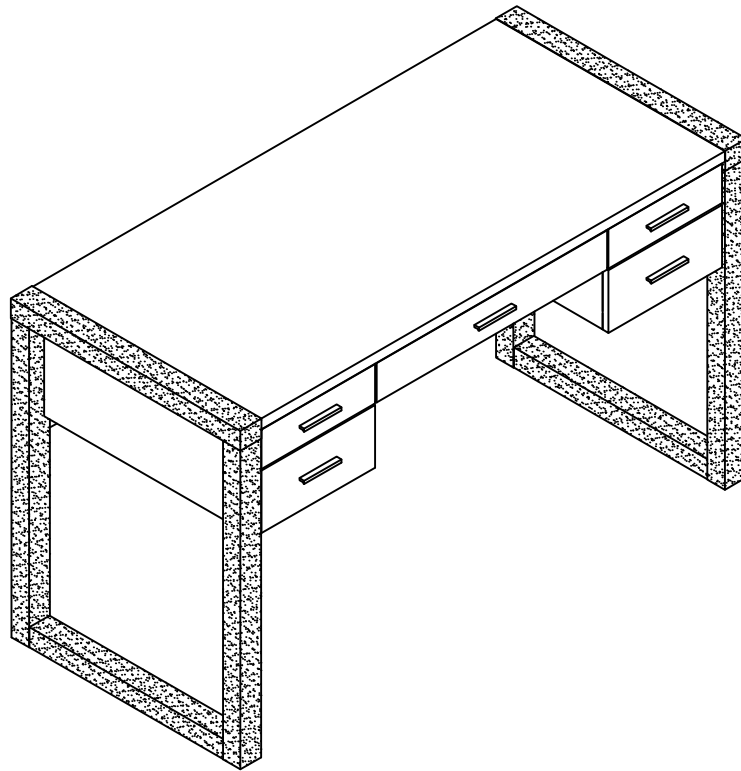


ASSEMBLY INSTRUCTION

ITEM#: 171967



ASSEMBLY INSTRUCTION

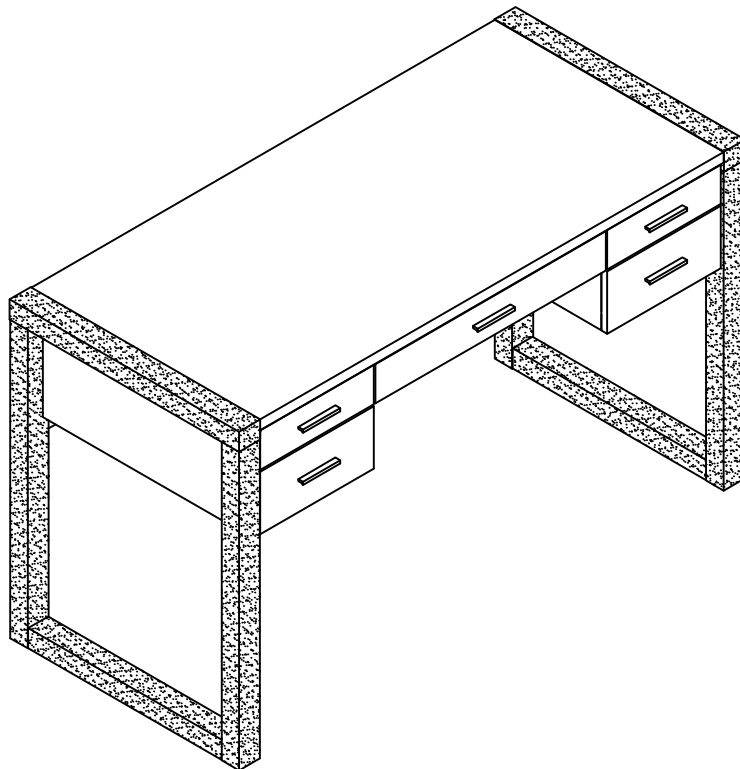
PLEASE READ BEFORE ASSEMBLING!

Tip #1: Make sure you've taken all the pieces and hardware out of its packaging before discarding the box. Assembly on top of flattened box/blanket is recommended.

Tip #2: Using page 2 and/or page 3 of instruction manual make sure all pieces and hardware are accounted for.

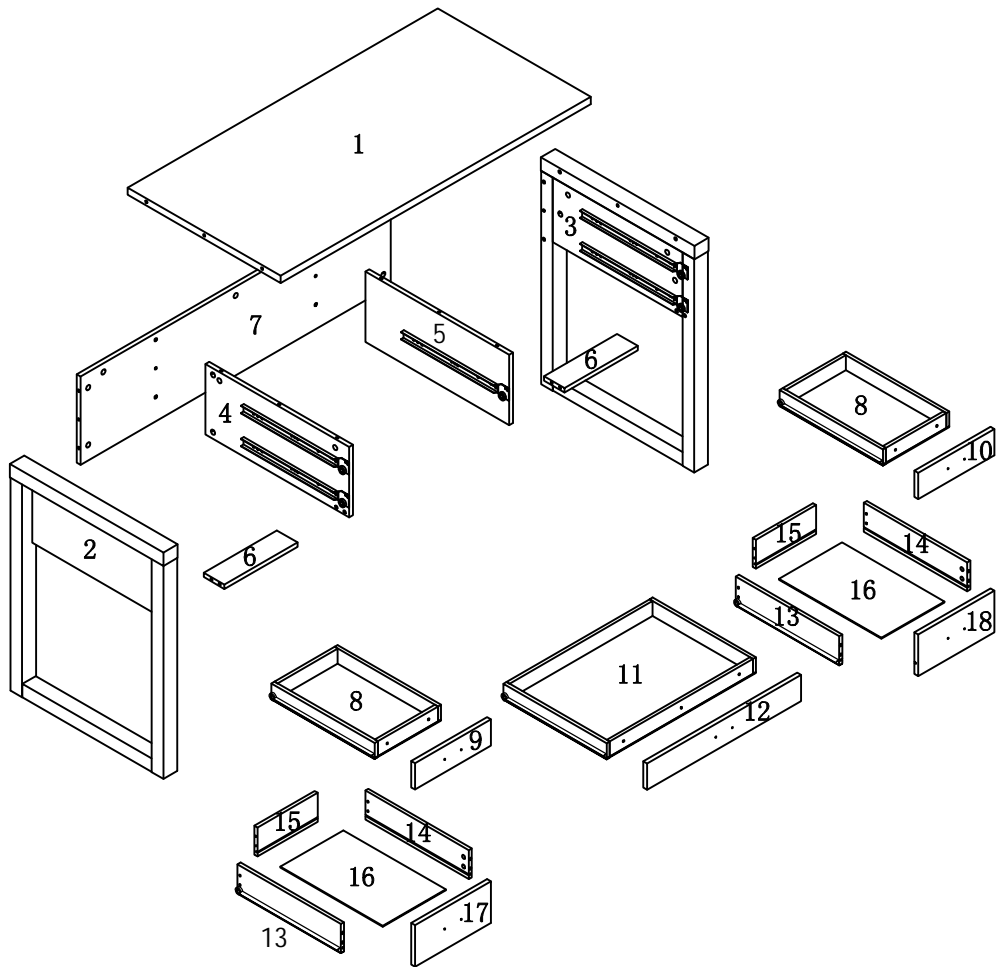
Tip #3: Note position of all holes on each panel during assembly.

ITEM#: 171967



PARTS IDENTIFICATION

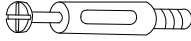


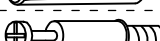


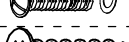
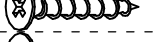




ITEM#: 171967



(1)	1pc	(7)	1pc	(13)	2pcs
(2)	1pc	(8)	2pcs	(14)	2pcs
(3)	1pc	(9)	1pc	(15)	2pcs
(4)	1pc	(10)	1pc	(16)	2pcs
(5)	1pc	(11)	1pc	(17)	1pc
(6)	2pcs	(12)	1pc	(18)	1pc

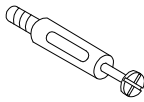
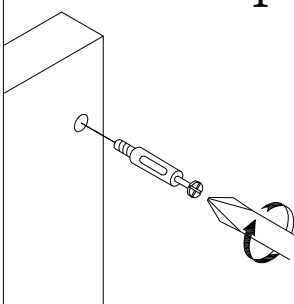
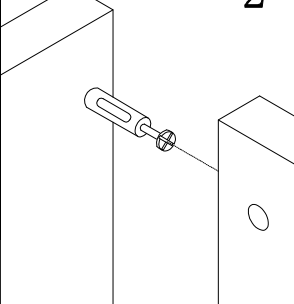
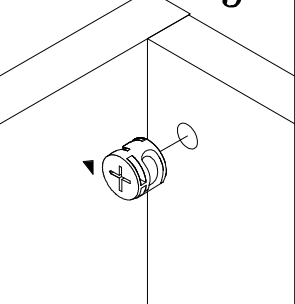
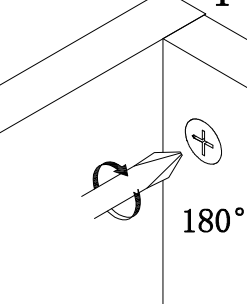

HARDWARE IDENTIFICATION

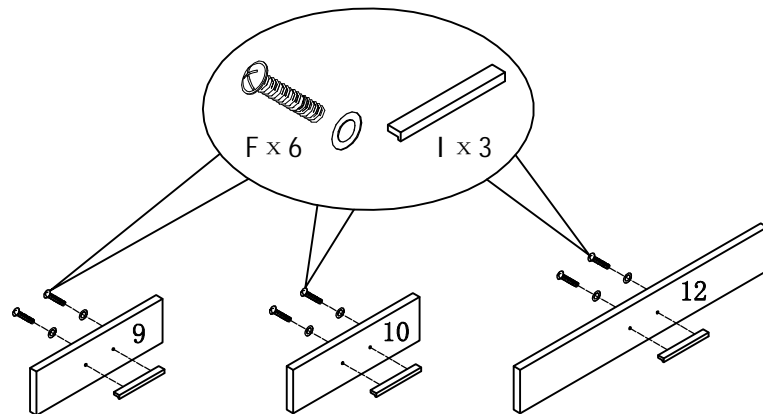
ITEM#: 171967

A		L29	27pcs
B		Ø15	27pcs
C		Ø8x25	10pcs
D		L20	8pcs
E		Ø12	8pcs
F		M4 x 20	10pcs
G		Ø4x25	7pcs
H		Ø4x30	8pcs
I		64孔	5pcs
J		Ø20 (DGY)	10pcs
K		Ø16	4pcs
L		Glue: For securing please apply to wood dowel first before inserting into panel	1pc

ASSEMBLY INSTRUCTION

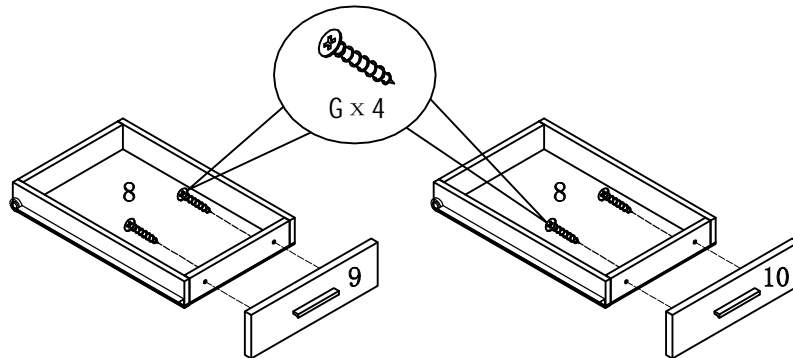
ITEM#: 171967

HOW TO	1	2	3	4
 Cam Bolt				
 Cam Lock	1. Screw Cam Bolt into panel.	2. Insert Cam Bolt into bolt hole of joining panel.	3. Insert Cam Lock. arrow facing bolt.	4. Gently turn Cam Lock clockwise to lock position.



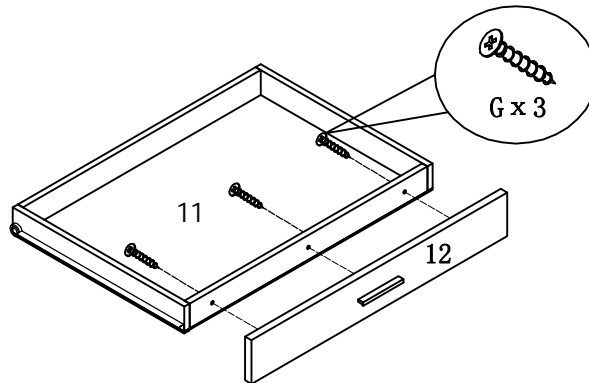
STEP 1

STEP 2



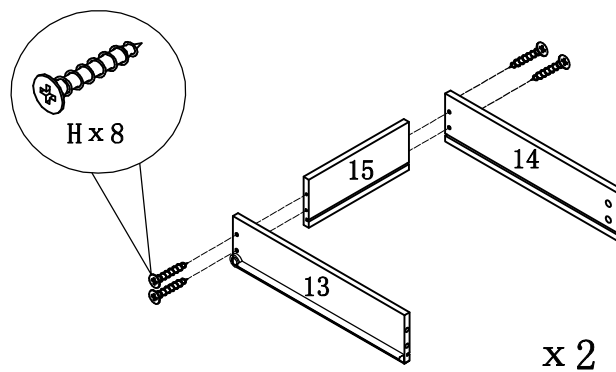
ASSEMBLY INSTRUCTION

ITEM#: 171967

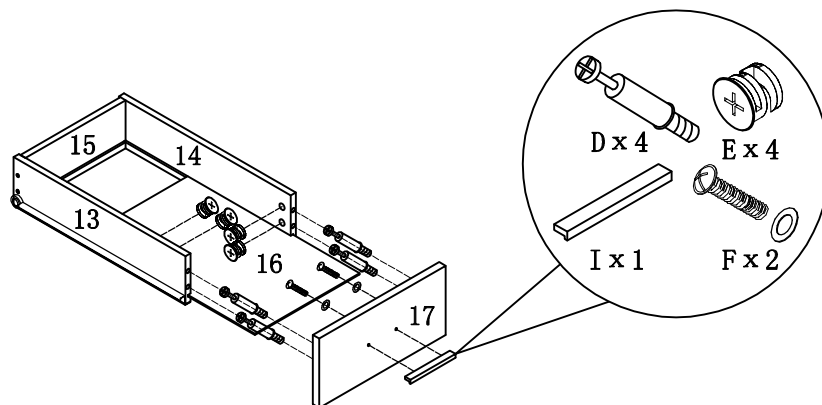


STEP3

STEP4

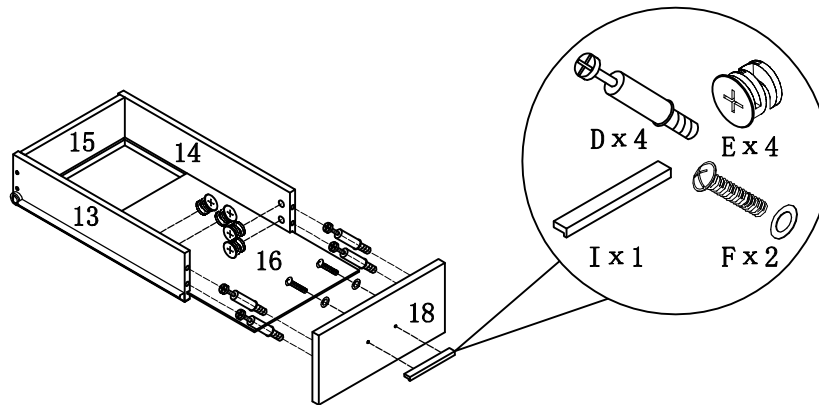


STEP5



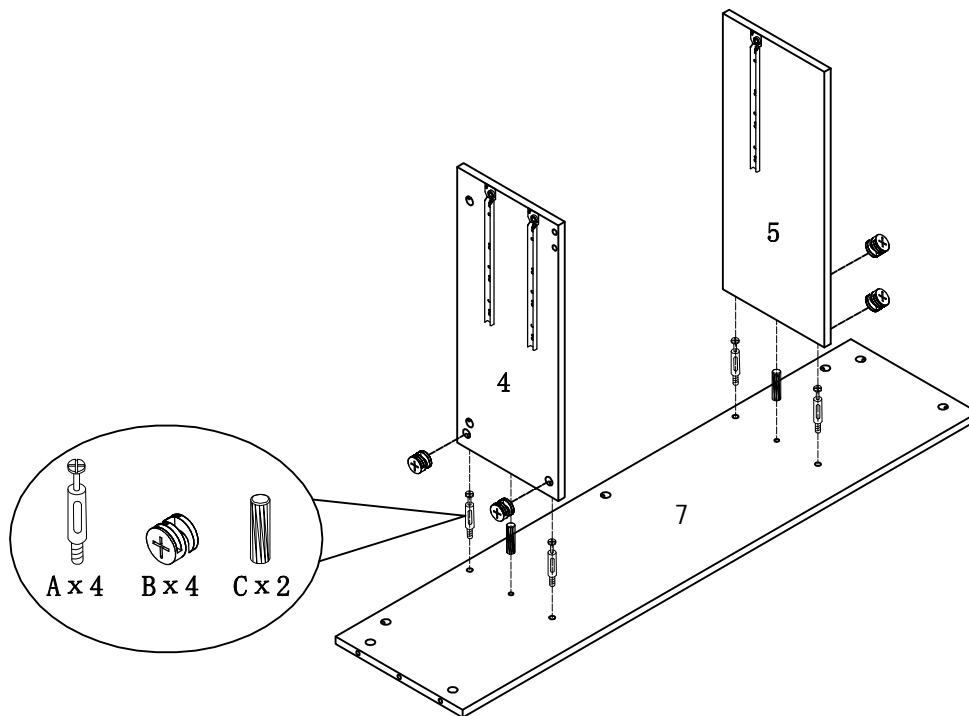
ASSEMBLY INSTRUCTION

ITEM#: 171967



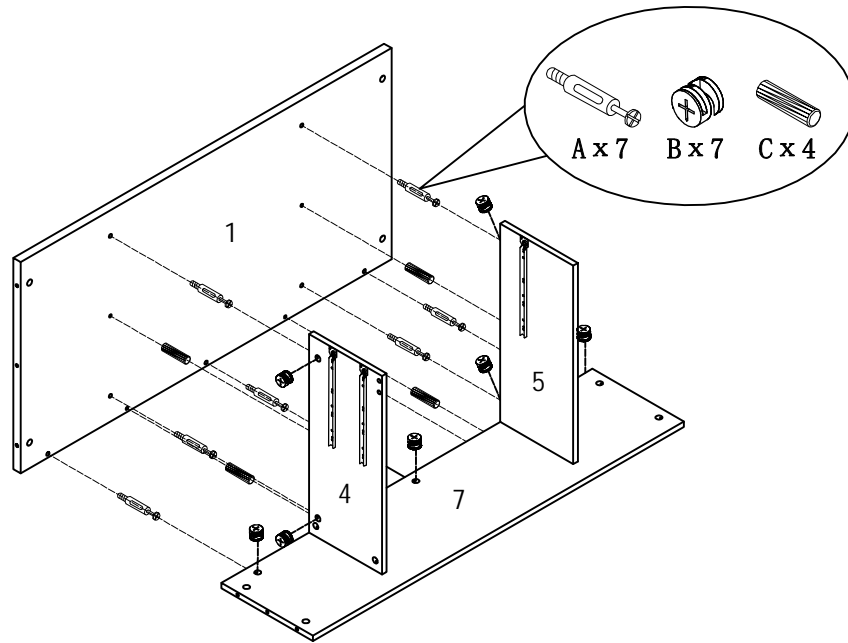
STEP6

STEP7



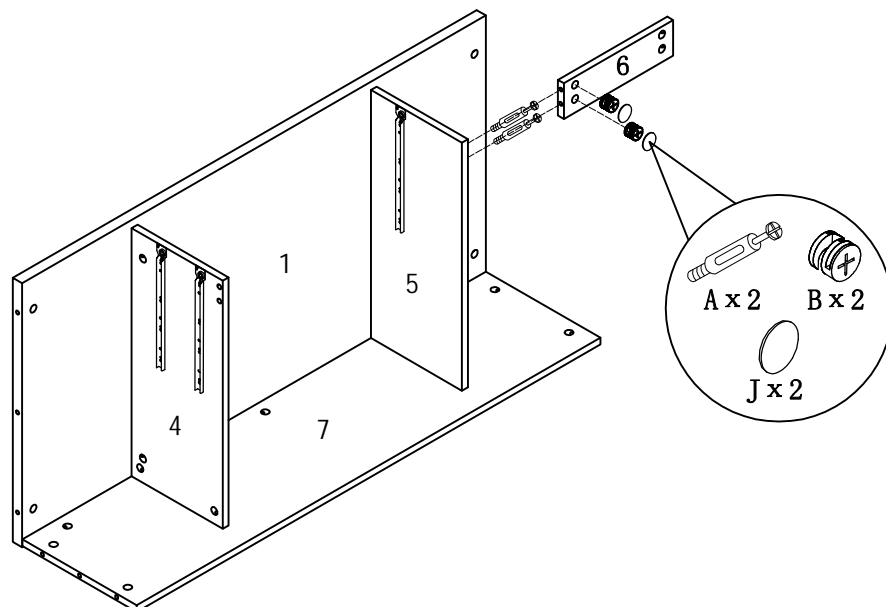
ASSEMBLY INSTRUCTION

ITEM#: 171967



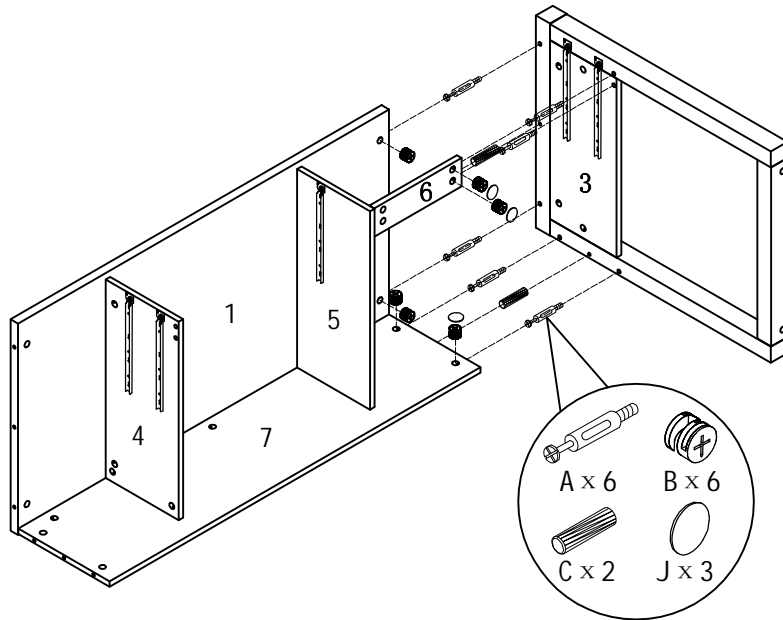
STEP8

STEP9



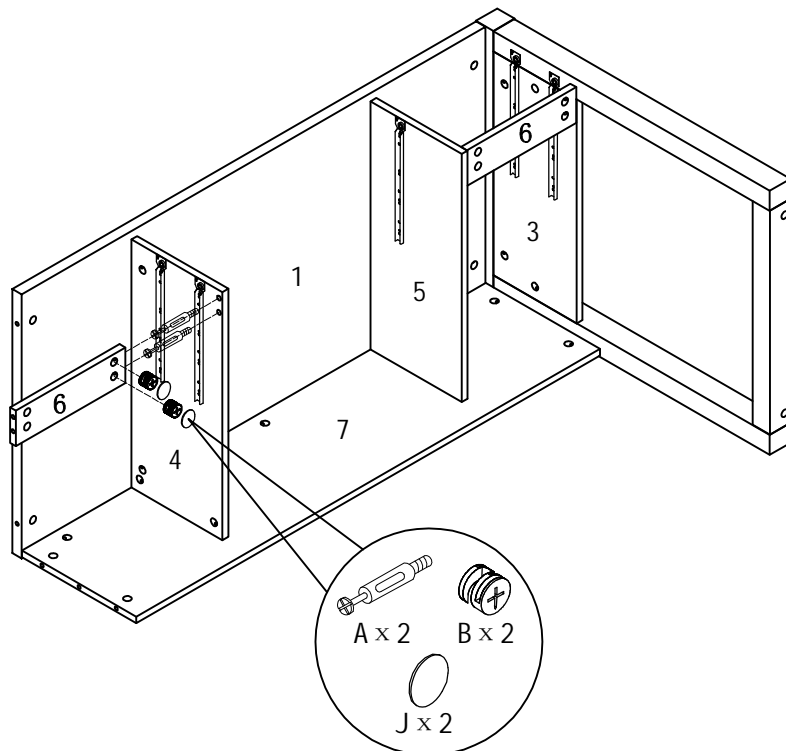
ASSEMBLY INSTRUCTION

ITEM#: 171967



STEP10

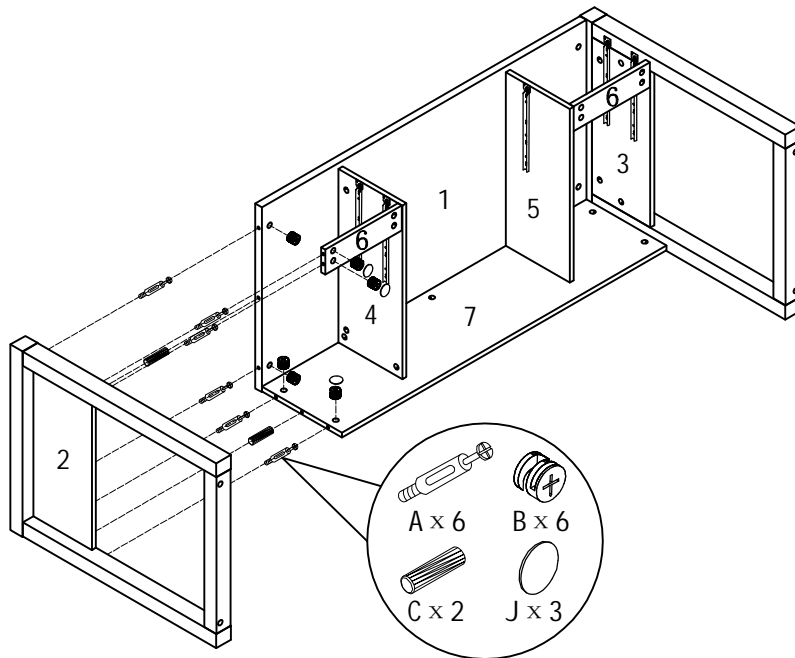
STEP11



PAGE 8 OF 10

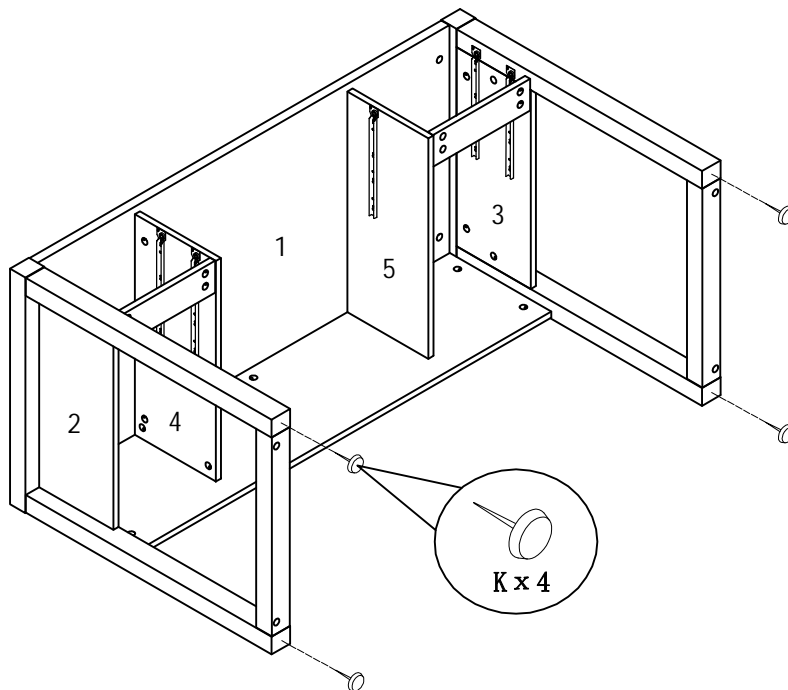
ASSEMBLY INSTRUCTION

ITEM#: 171967



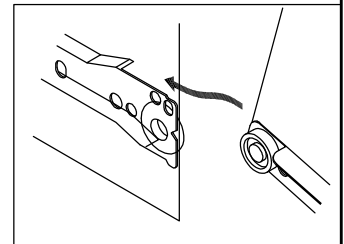
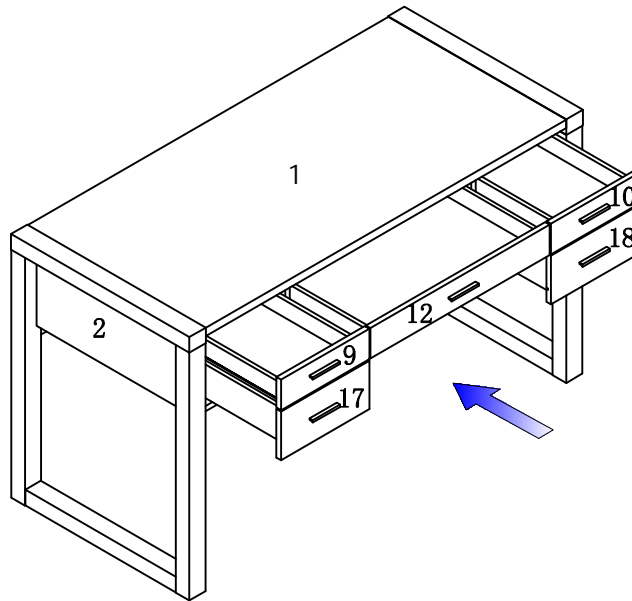
STEP12

STEP13



ASSEMBLY INSTRUCTION

ITEM#: 171967



STEP14

STEP15

