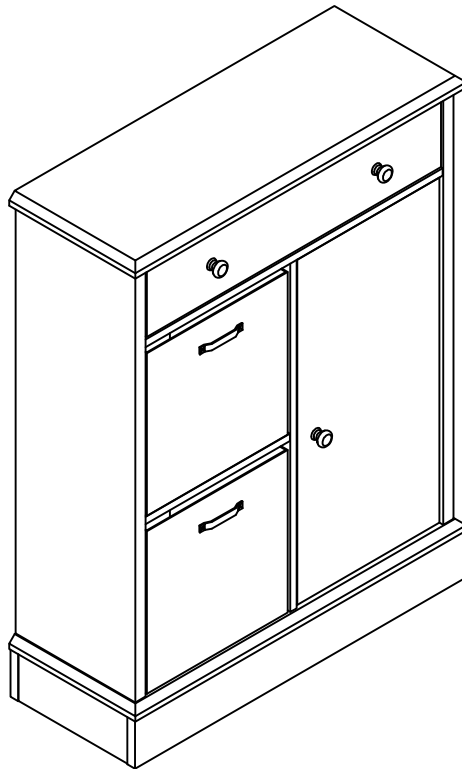


ASSEMBLY INSTRUCTION

ITEM#: 171975



ASSEMBLY INSTRUCTION

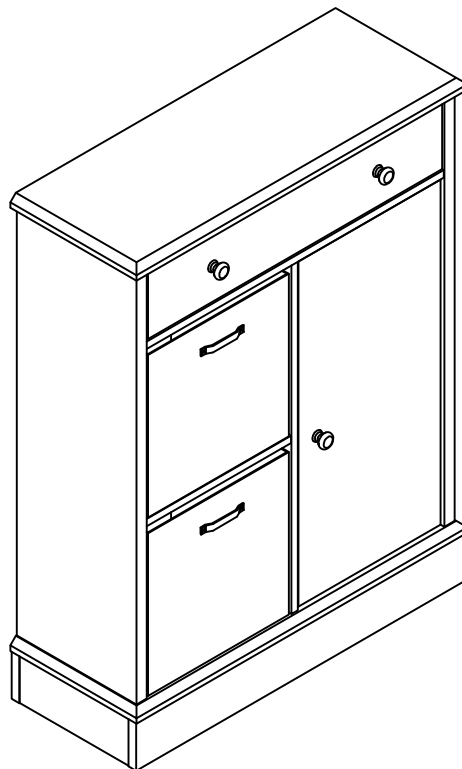
PLEASE READ BEFORE ASSEMBLING!

Tip #1: Make sure you've taken all the pieces and hardware out of its packaging before discarding the box. Assembly on top of flattened box/blanket is recommended.

Tip #2: Using page 2 and/or page 3 of instruction manual make sure all pieces and hardware are accounted for.

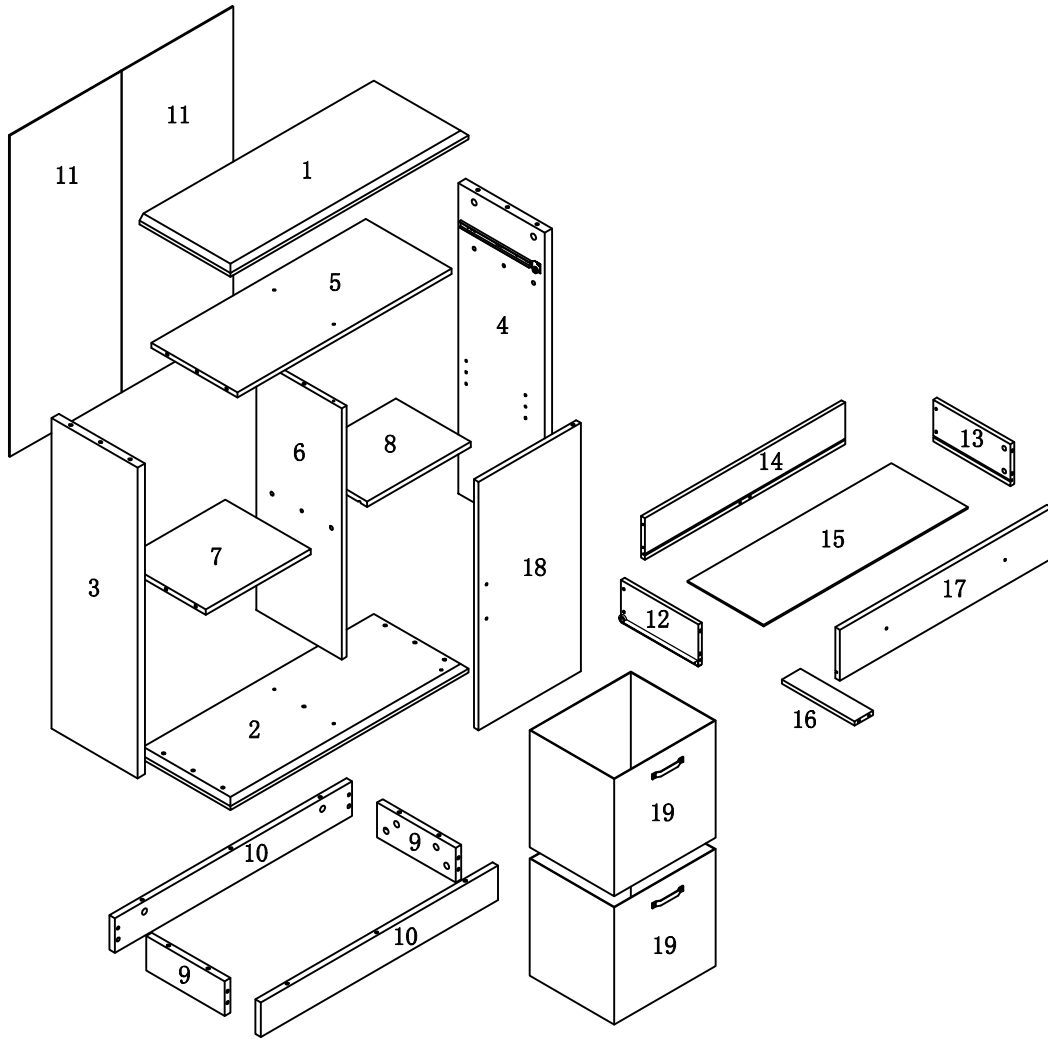
Tip #3: Note position of all holes on each panel during assembly.

ITEM#: 171975



PARTS IDENTIFICATION



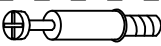


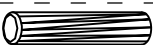
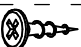
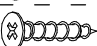
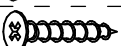
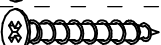
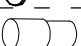
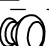




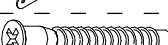
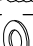




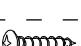




ITEM#: 171975



(1)	1pc	(7)	1pc	(13)	1pc
(2)	1pc	(8)	1pc	(14)	1pc
(3)	1pc	(9)	2pcs	(15)	1pc
(4)	1pc	(10)	2pcs	(16)	1pc
(5)	1pc	(11)	2pcs	(17)	1pc
(6)	1pc	(12)	1pc	(18)	1pc
				(19)	2pcs

HARDWARE IDENTIFICATION

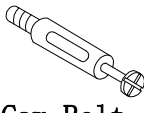
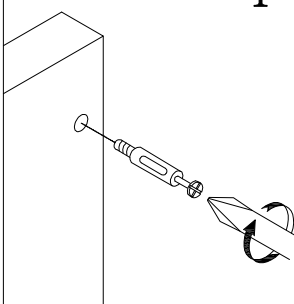
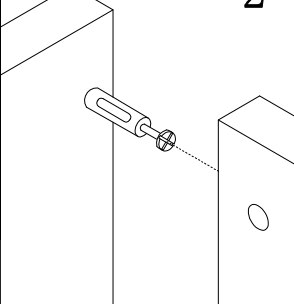
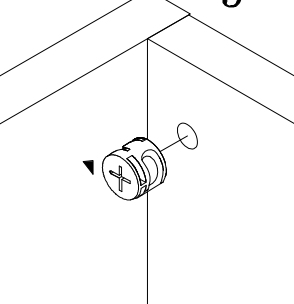
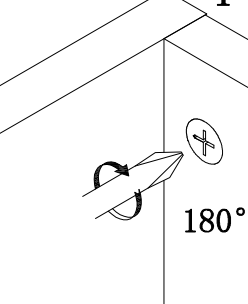

ITEM#: 171975

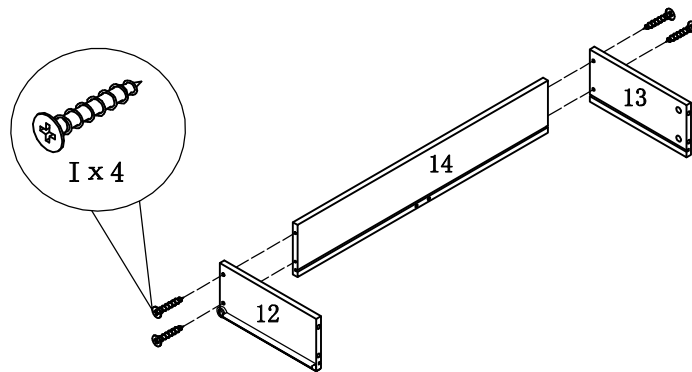
A		L29	24pcs
B		ø15	24pcs
C		L20	4pcs
D		ø12	4pcs
E		ø8x25	16pcs
F		ø6x30	2pcs
G		ø3x14	2pcs
H		ø3x16	2pcs
I		ø4x30	6pcs
J		ø4x45	4pcs
K		ø5	4pcs
L			3pcs
M		M4x22	3pcs
N			1pc
O			1pc
P			1pc
Q		ø7x48	4pcs
R		ø16xø8x2	4pcs
S		ø16	6pcs
T			36pcs
U		ø20	2pcs
V		197×5×1	1pc
W		ø4x25	1pc
X		ø5x40	1pc
Y		ø8 x 40	1pc
Z		12×12×1	2pcs
A1			1pc

Glue: For securing please apply to wood dowel first before inserting into panel

ASSEMBLY INSTRUCTION

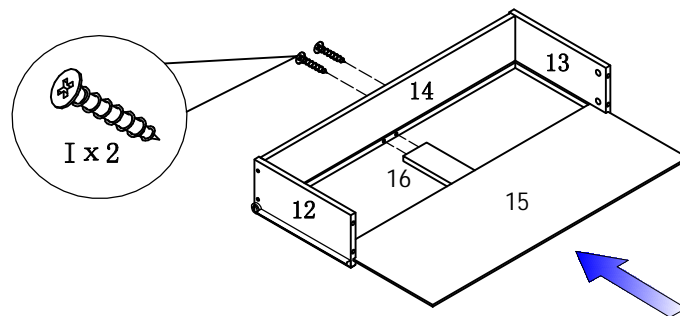
ITEM#: 171975

HOW TO	1	2	3	4
 Cam Bolt				
 Cam Lock	1. Screw Cam Bolt into panel.	2. Insert Cam Bolt into bolt hole of joining panel.	3. Insert Cam Lock. arrow facing bolt.	4. Gently turn Cam Lock clockwise to lock position.



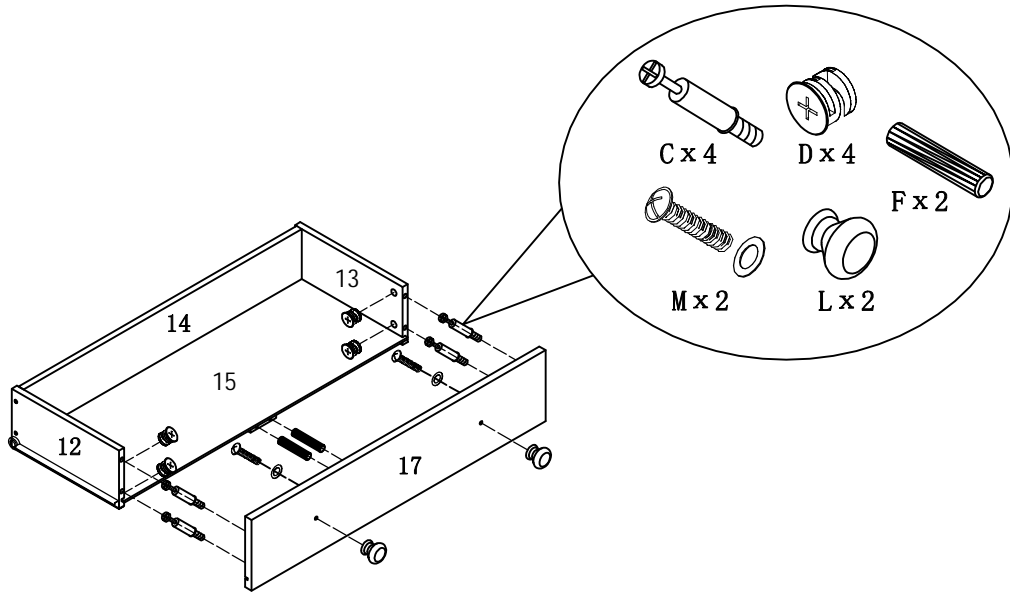
STEP1

STEP2



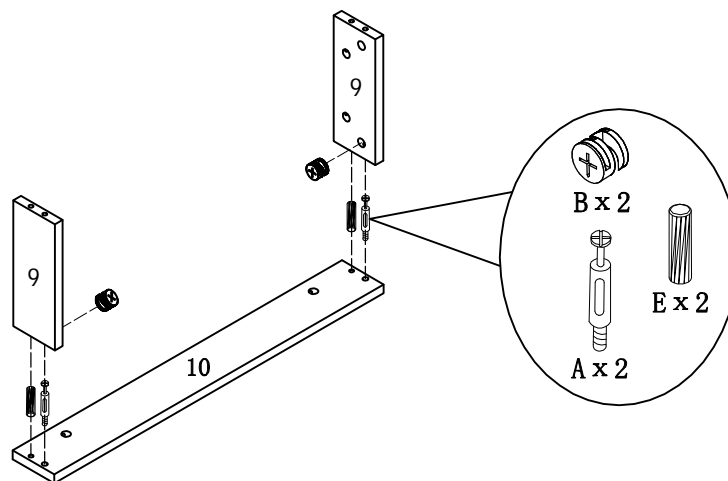
ASSEMBLY INSTRUCTION

ITEM#: 171975



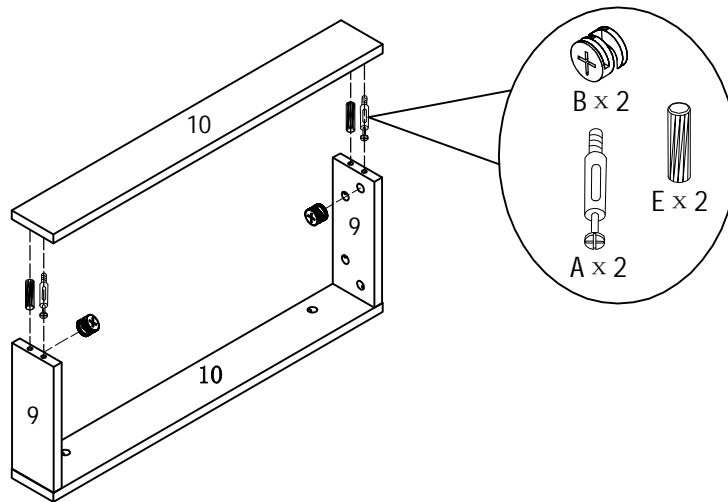
STEP3

STEP4



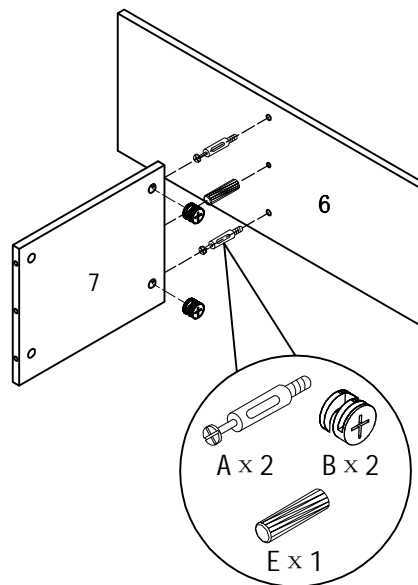
ASSEMBLY INSTRUCTION

ITEM#: 171975



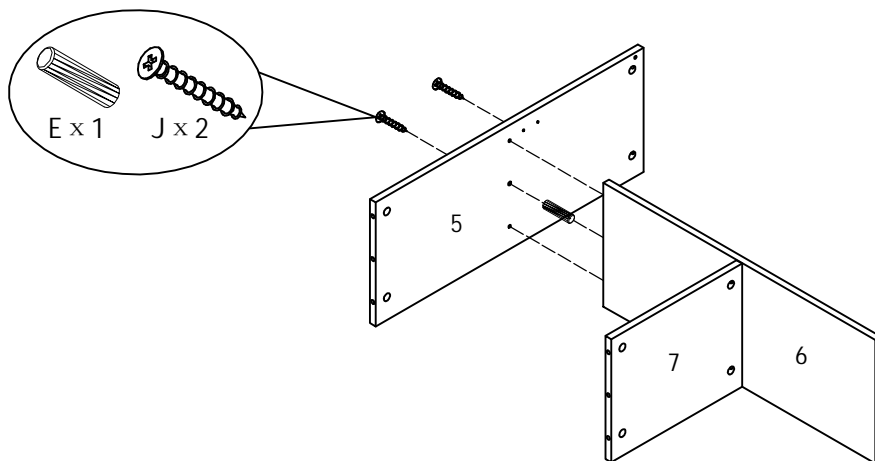
STEP5

STEP6



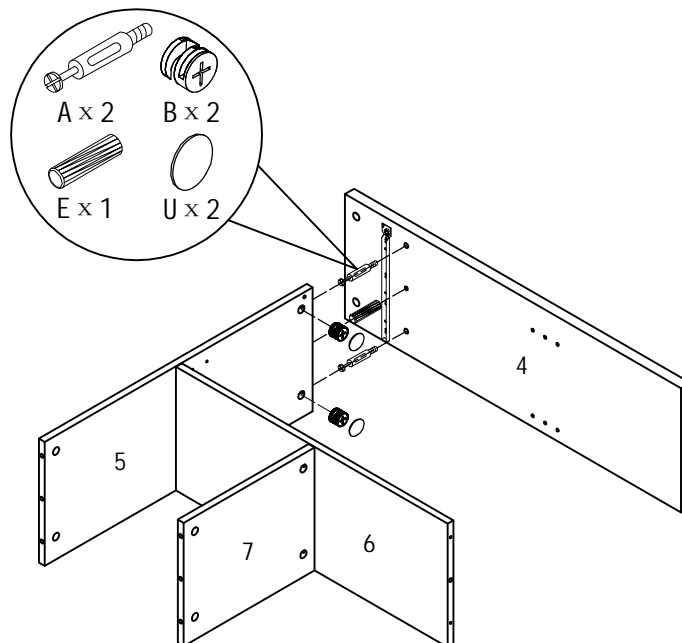
ASSEMBLY INSTRUCTION

ITEM#: 171975



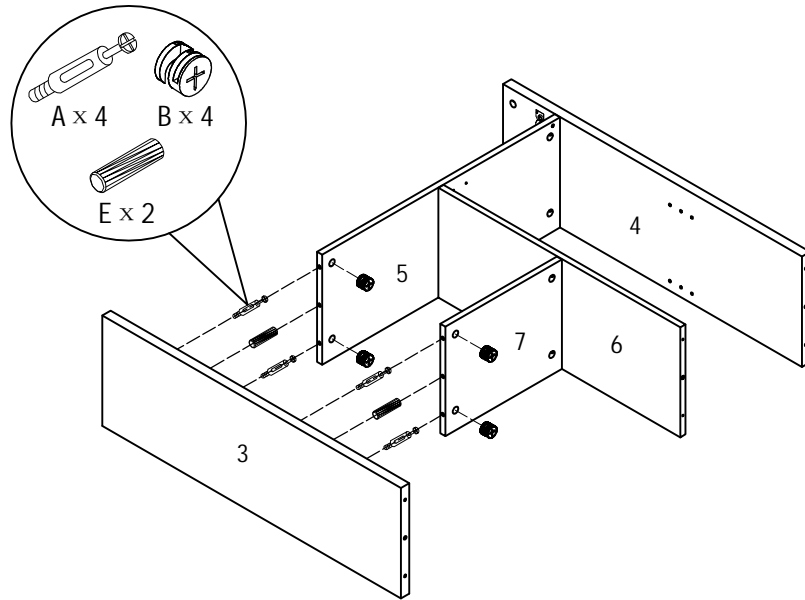
STEP7

STEP8



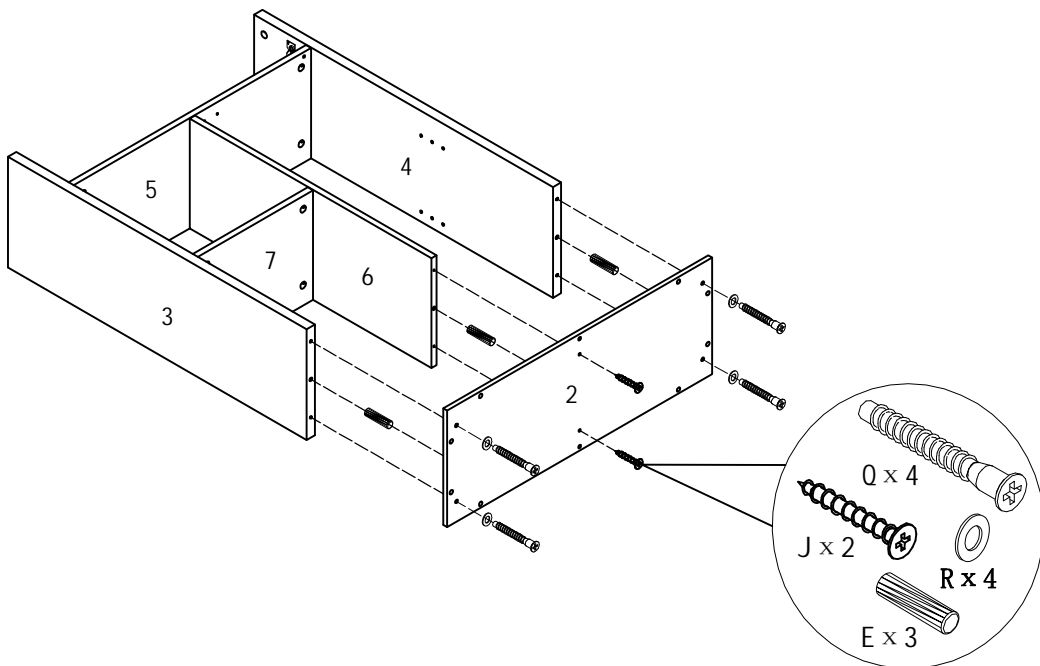
ASSEMBLY INSTRUCTION

ITEM#: 171975



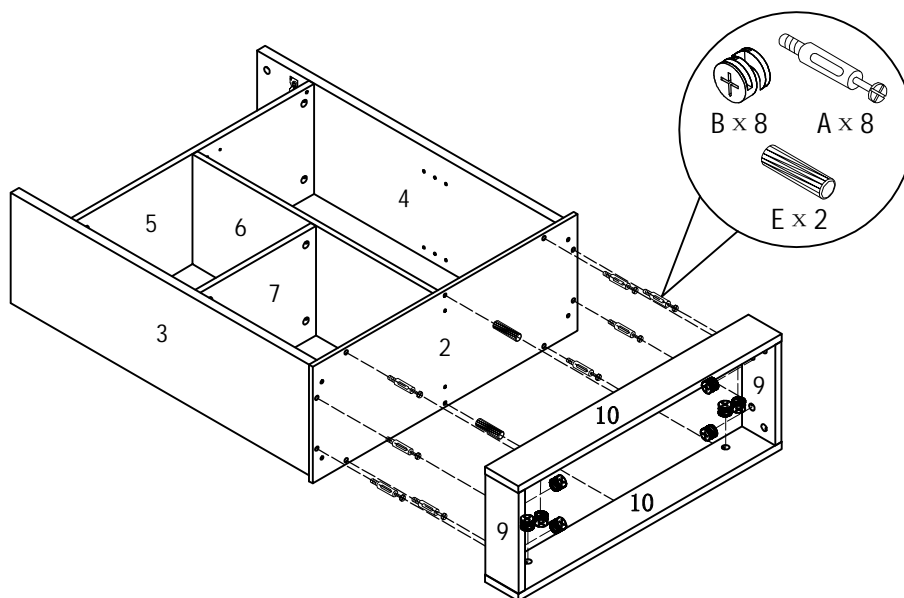
STEP9

STEP10



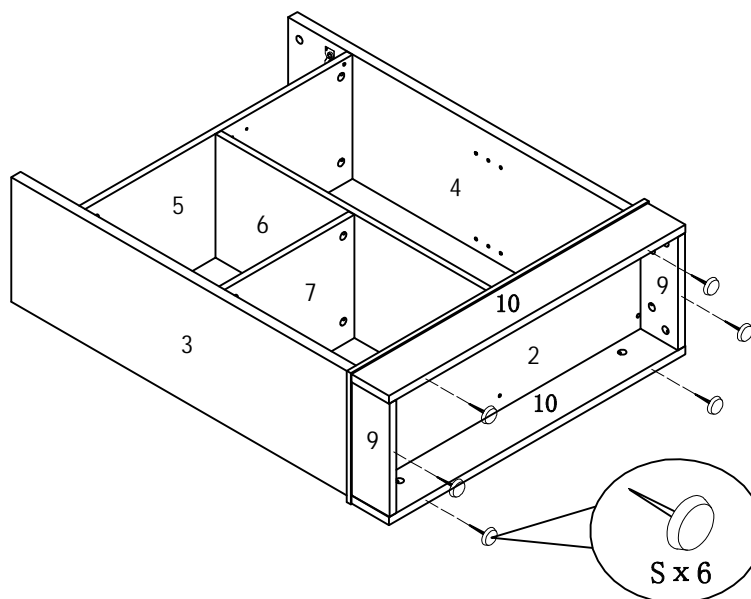
ASSEMBLY INSTRUCTION

ITEM#: 171975



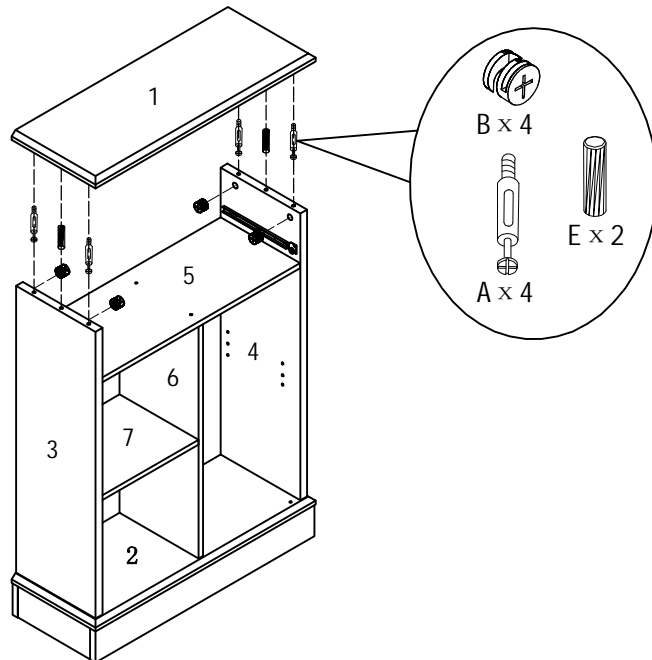
STEP 11

STEP 12



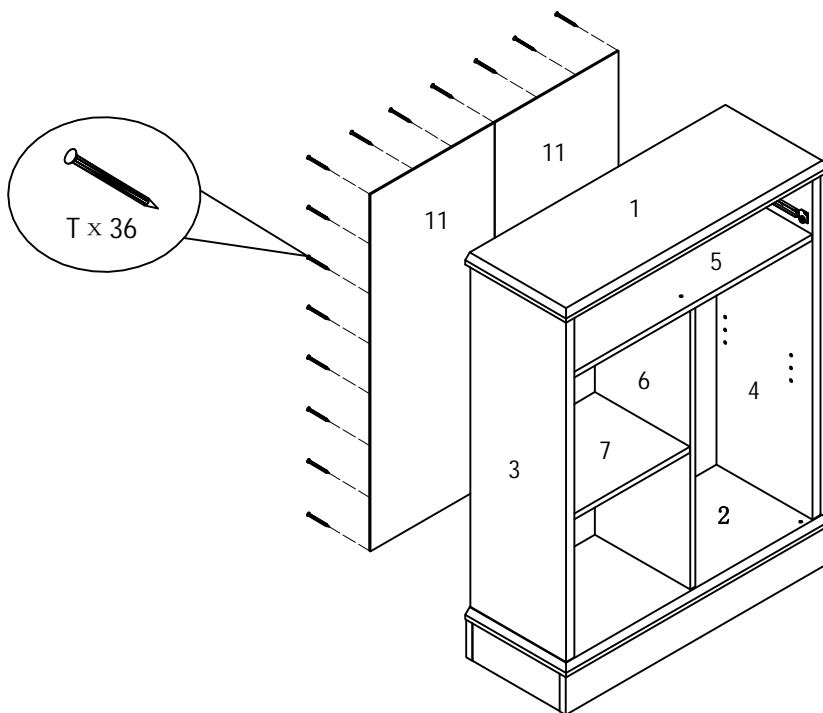
ASSEMBLY INSTRUCTION

ITEM#: 171975



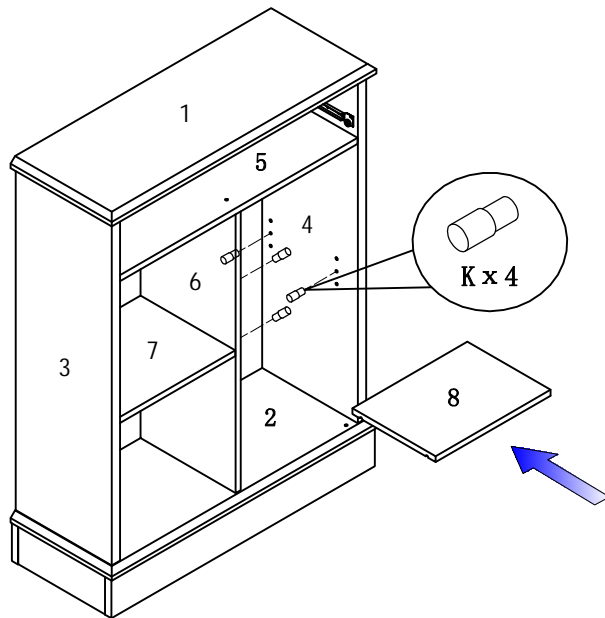
STEP13

STEP14



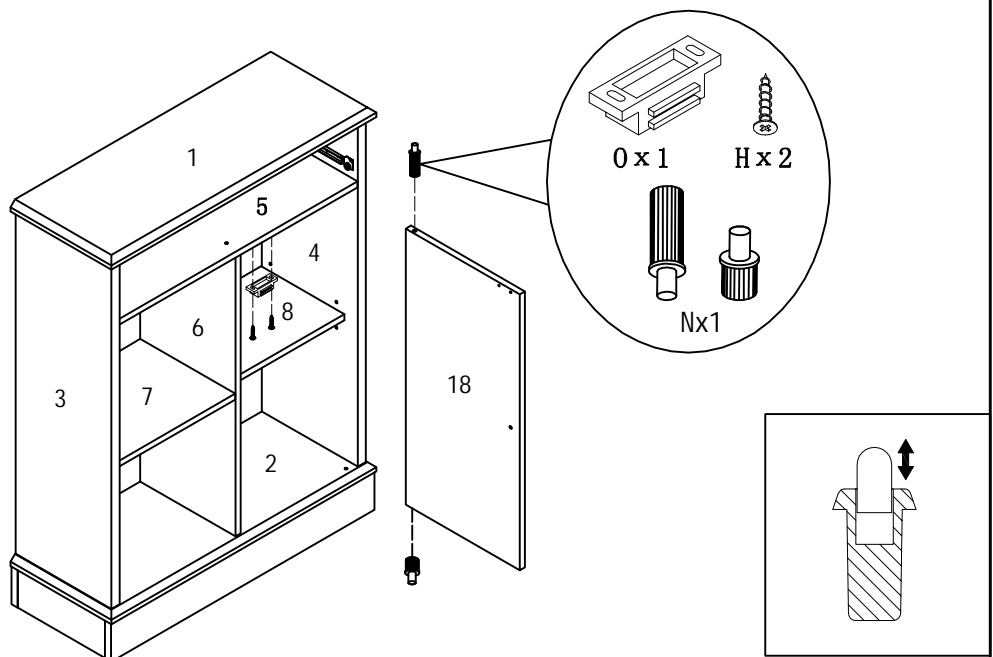
ASSEMBLY INSTRUCTION

ITEM#: 171975



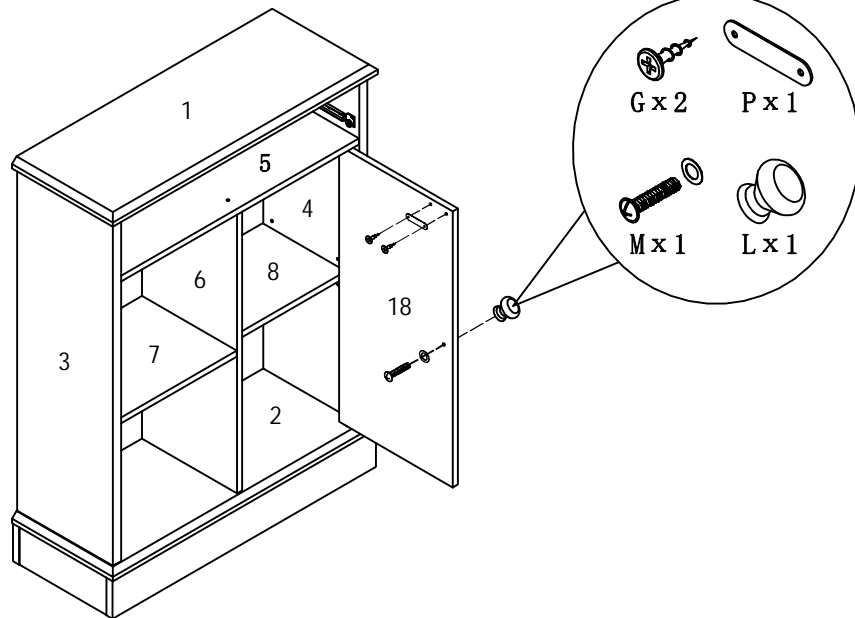
STEP 15

STEP 16



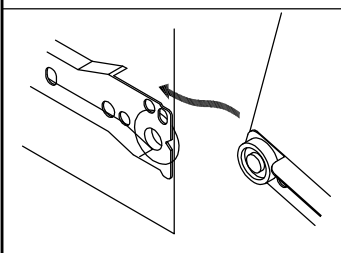
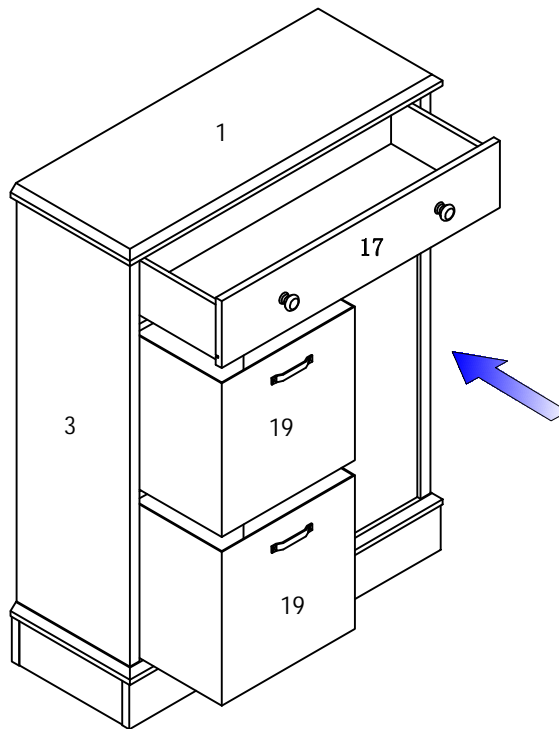
ASSEMBLY INSTRUCTION

ITEM#: 171975



STEP17

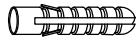
STEP18



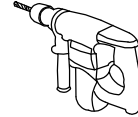
ANTI-TIPPING STRAP INSTRUCTION

HARDWARE (INCLUDED) :

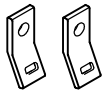
TOOLS NEEDED (NOT INCLUDED) :



DRYWALL ANCHOR $\phi 8 \times 40$ X 1PC



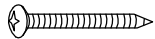
DRILL & DRILL BIT



METAL BRACKETS $12 \times 12 \times 1$ X 2PCS



LIGHT HAMMER



DRYWALL SCREW $\phi 5 \times 40$ X 1PC



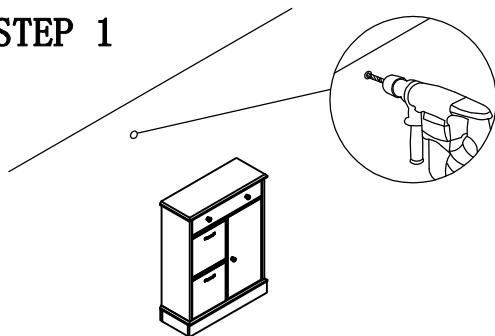
STRAP $197 \times 5 \times 1$ X 1PC



FLATHEAD SCREW $\phi 4 \times 25$ X 1PC

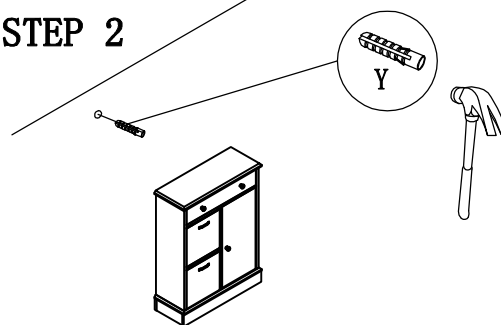
Note: Hardware included only compatible with standard drywalls.

STEP 1



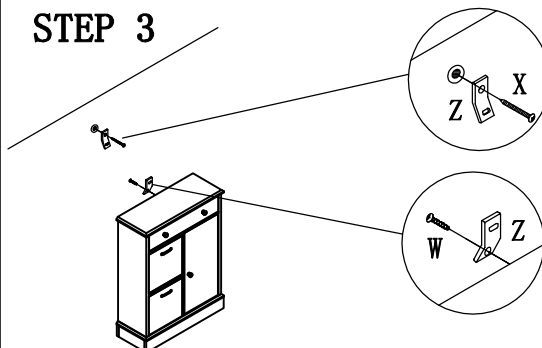
1. Find spot on wall 1" below top of item.
2. Using a drill bit slightly thinner than anchor, drill hole into drywall.

STEP 2



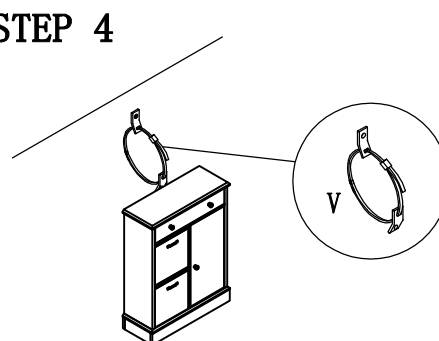
1. Use a light hammer to tap anchor into hole.
2. Anchor should fit snugly. If hole is too small, drill again to increase hole size. Do not force anchor into wall.

STEP 3



1. Insert drywall screw into metal bracket and into drywall anchor.
2. Insert flathead screw into second metal bracket and into back of item along top edge.

STEP 4



1. Insert strap thru bracket attached to wall, then thru bracket on item, and into head of strap.
 2. pull lightly til strap stops.
- Assembly is complete.