

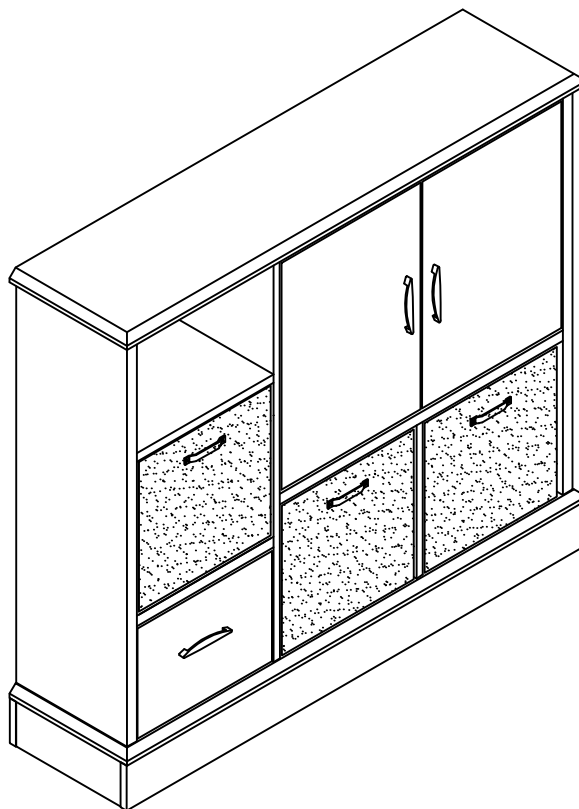
ASSEMBLY INSTRUCTION

PLEASE READ BEFORE ASSEMBLING!

Tip #1: Make sure you've taken all the pieces and hardware out of its packaging before discarding the box.

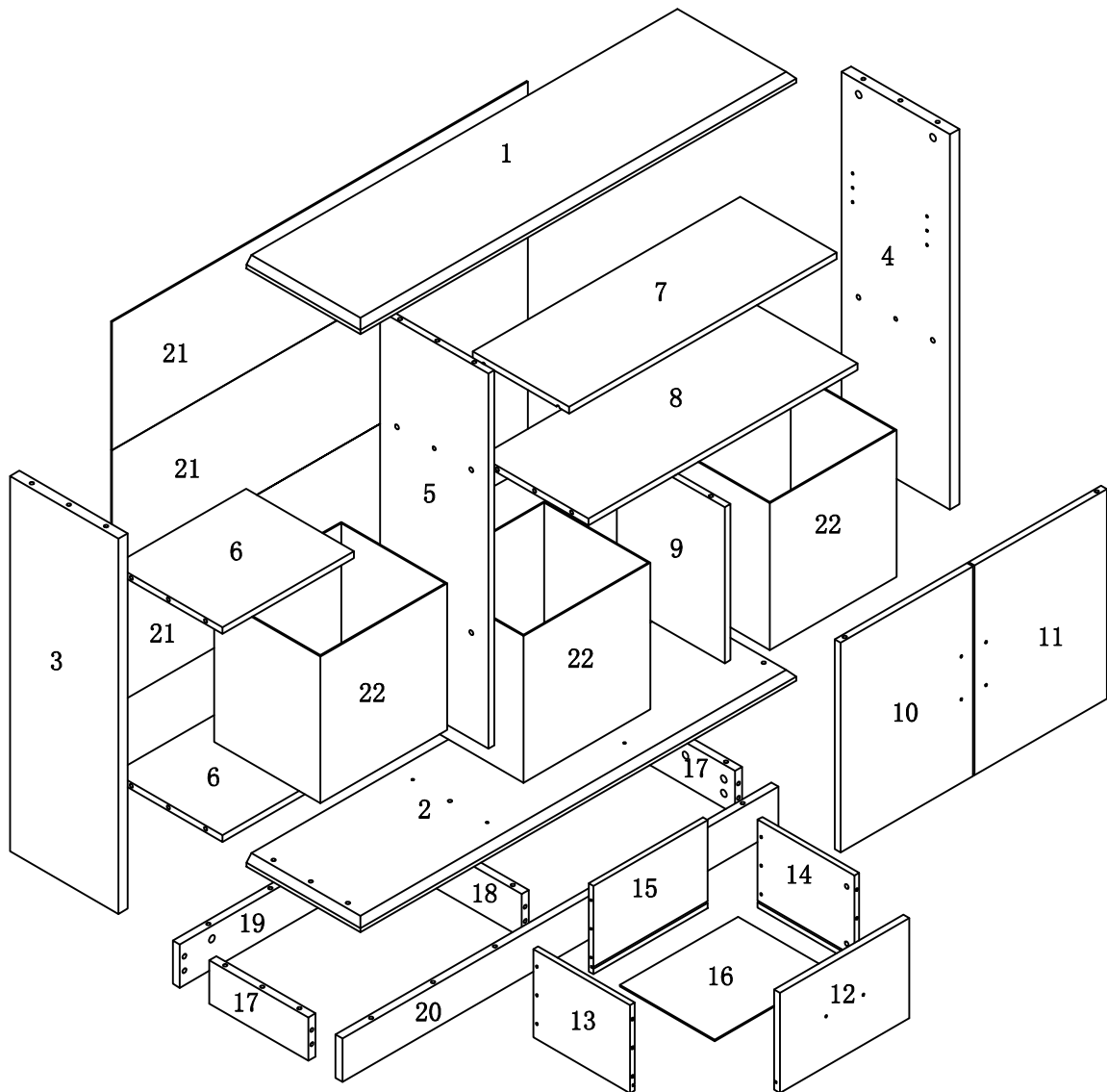
Tip #2: Using page 2 and/or page 3 of instruction manual make sure all pieces and hardware are accounted for.

ITEM#:171976



PARTS IDENTIFICATION




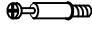






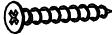
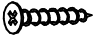




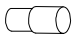




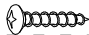
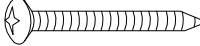
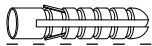


ITEM#:171976



(1)	1pc	(7)	1pc	(13)	1pc	(19)	1pc
(2)	1pc	(8)	1pc	(14)	1pc	(20)	1pc
(3)	1pc	(9)	1pc	(15)	1pc	(21)	3pcs
(4)	1pc	(10)	1pc	(16)	1pc	(22)	3pcs
(5)	1pc	(11)	1pc	(17)	2pcs		
(6)	2pcs	(12)	1pc	(18)	1pc		

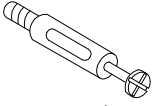

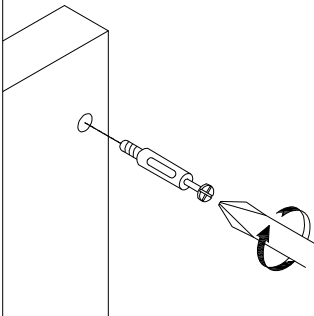
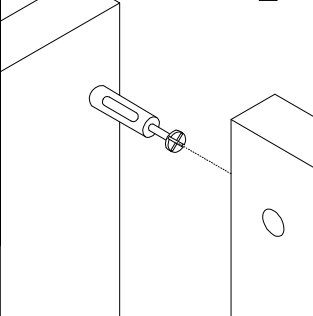
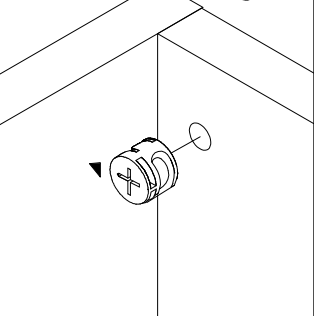
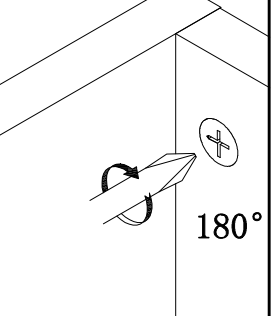
HARDWARE IDENTIFICATION

ITEM#:171976

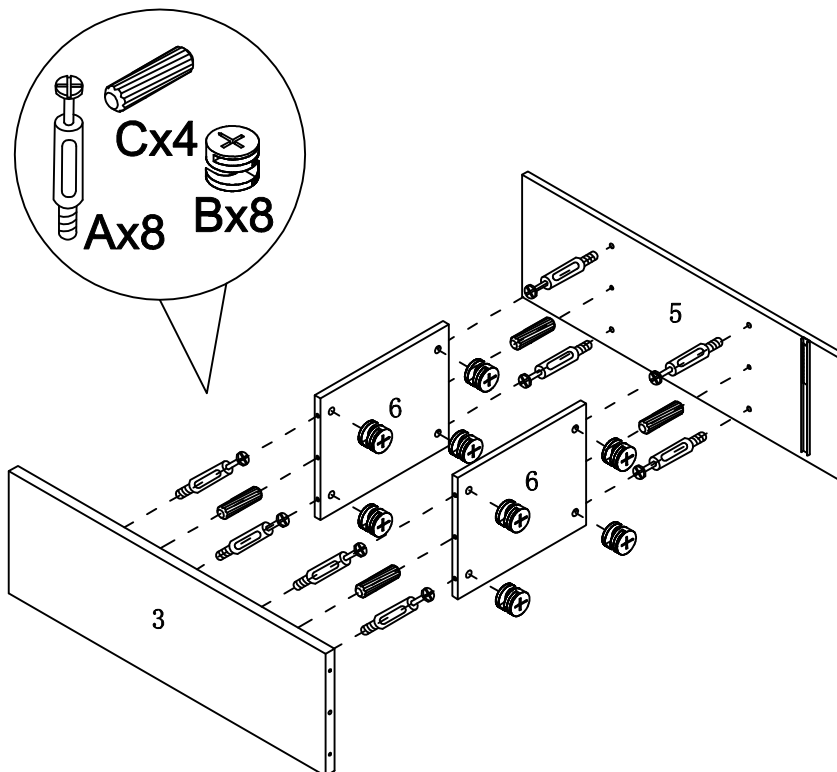
A		L29	37PCS
B		Φ 15	37PCS
C		Φ 8x25	30PCS
D		L20	4PCS
E		Φ 12	4PCS
F		Φ 6x30	2PCS
G		Φ 7x48	4PCS
H		Φ 8x16x2	4PCS
I		96x110	3PCS
J		M4x22	6PCS
K		Φ 4x40	4PCS
L		Φ 4x30	6PCS
M			2PCS
N			2PCS
O		Φ 3x14	4PCS
P		Φ 3x16	4PCS
Q		Φ 5x10	4PCS
R			34PCS
S		Φ 16	6PCS
T		Φ 22 (DGY)	6PCS
U		197×5×1	1PC
V		ø4×25	1PC
W		ø5×40	1PC
X		ø8×40	1PC
Y		12×12×1	2PCS
Z		Glue: For securing please apply to wood dowel first before inserting into panel	1PC

HARDWARE IDENTIFICATION

ITEM#:171976

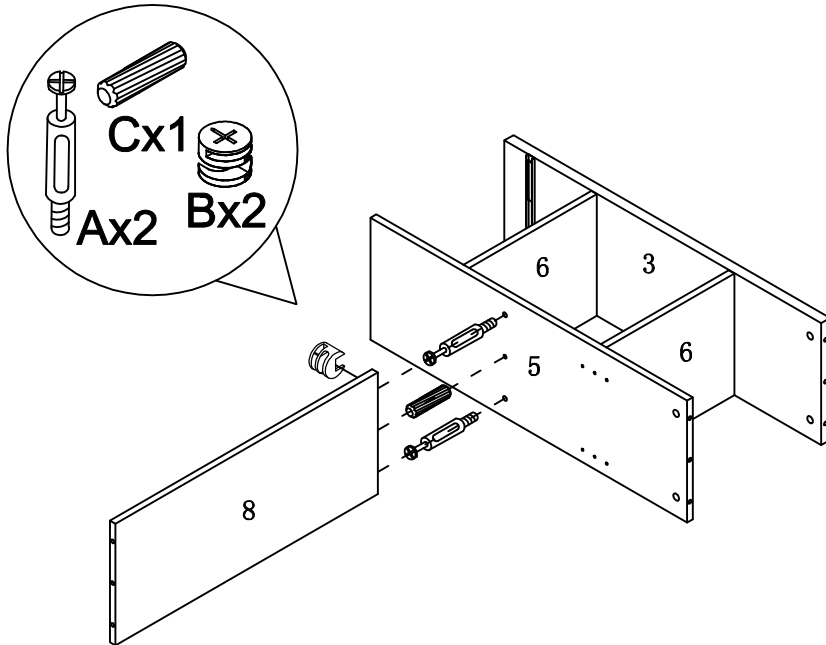
<p>HOW TO</p>  <p>Cam Bolt</p>  <p>Cam Lock</p>	<p>1</p> 	<p>2</p> 	<p>3</p> 	<p>4</p> 
	<p>1. Screw Cam Bolt into panel.</p>	<p>2. Insert Cam Bolt into bolt hole of joining panel.</p>	<p>3. Insert Cam Lock. arrow facing bolt.</p>	<p>4. Gently turn Cam Lock clockwise to lock position.</p>

STEP 1



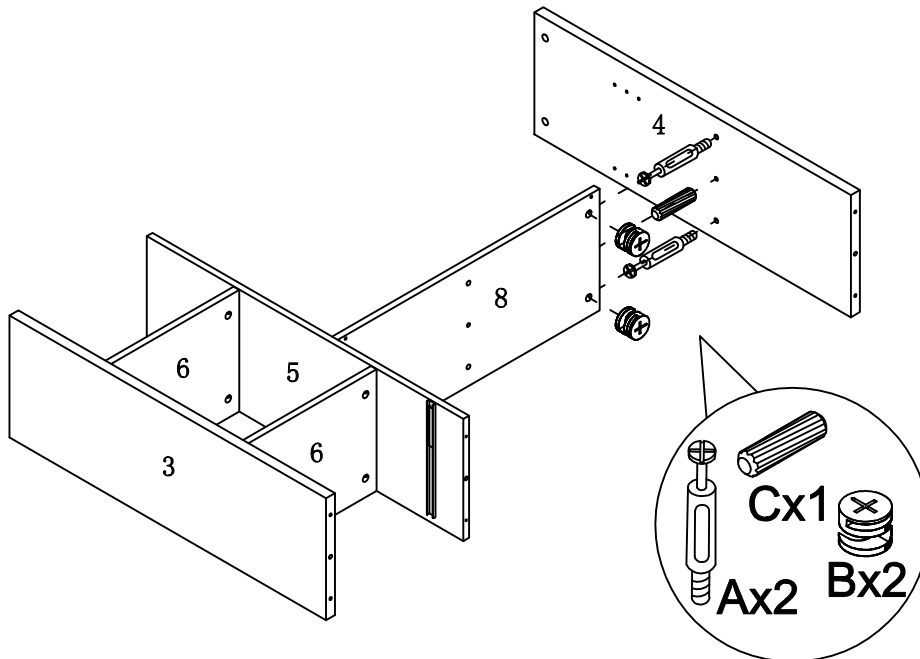
HARDWARE IDENTIFICATION

ITEM#:171976



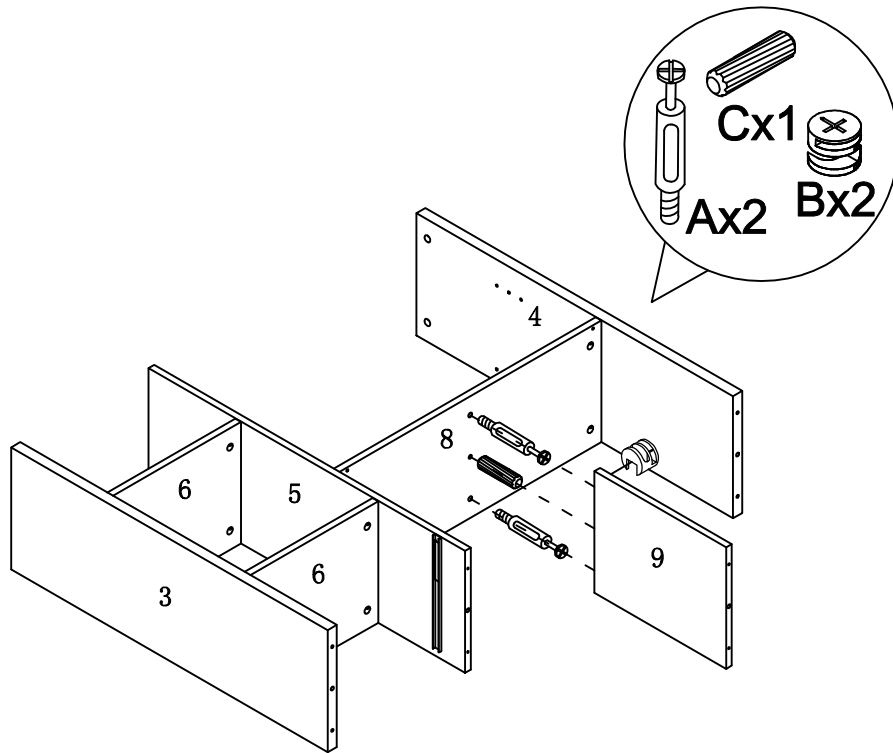
STEP2

STEP3



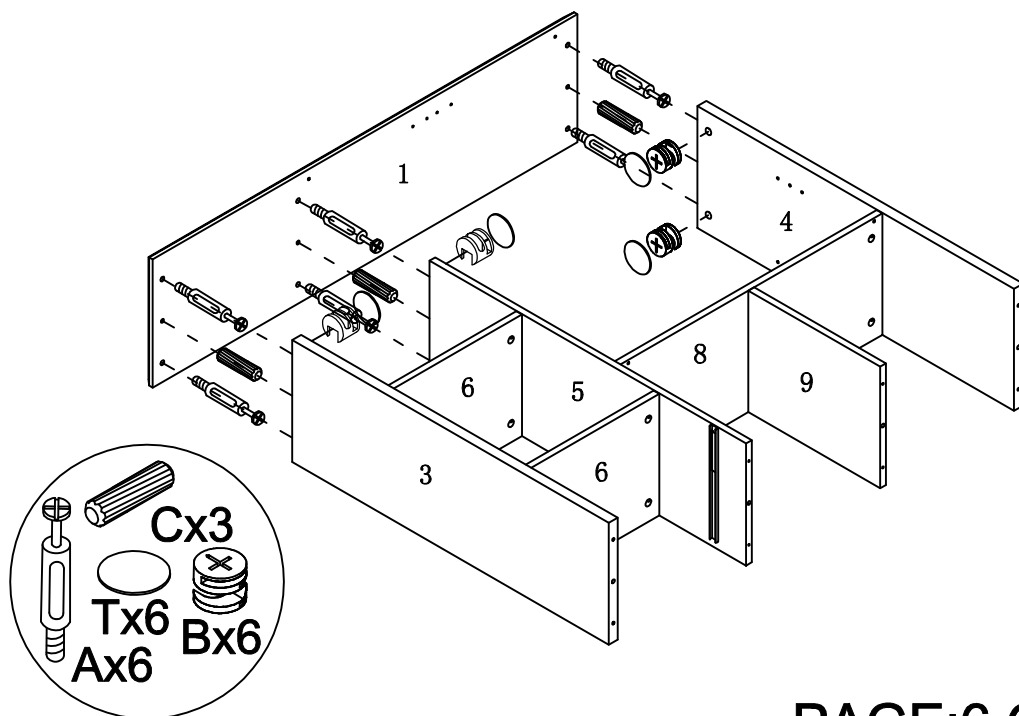
HARDWARE IDENTIFICATION

ITEM#:171976



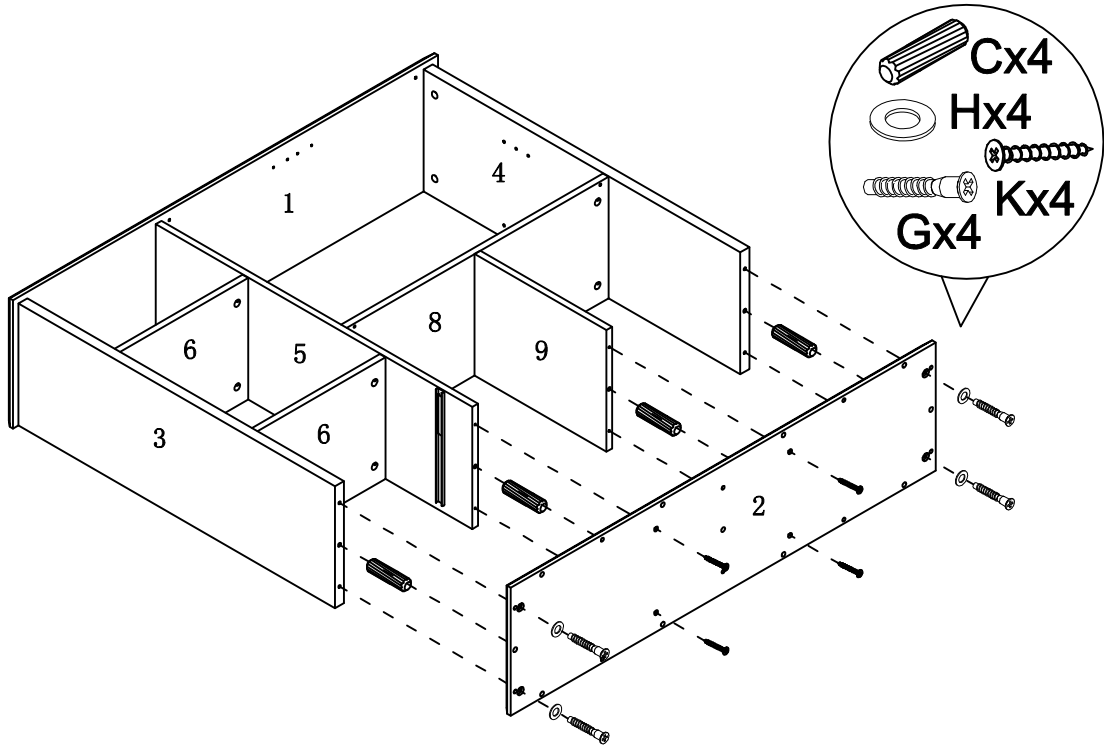
STEP4

STEP5



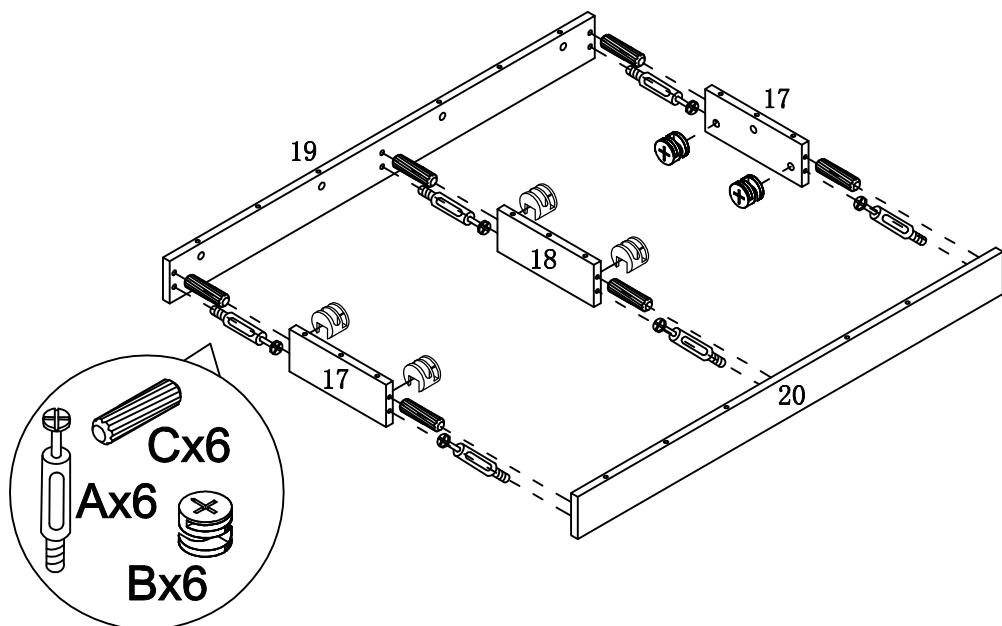
HARDWARE IDENTIFICATION

ITEM#:171976



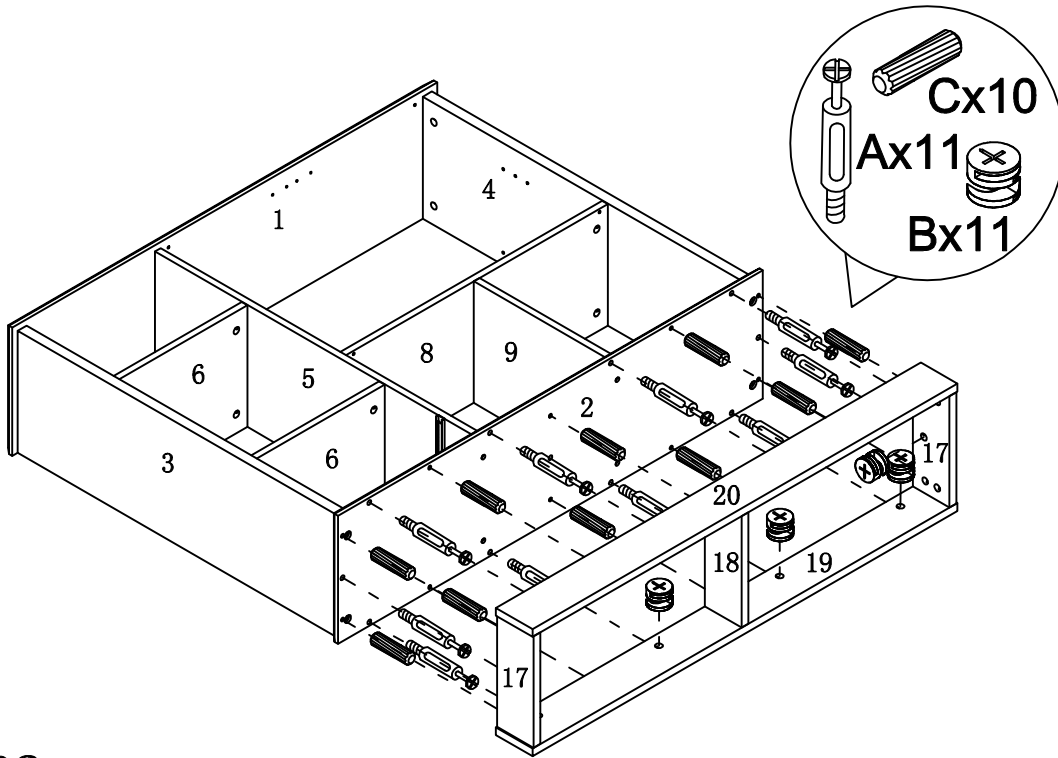
STEP6

STEP7



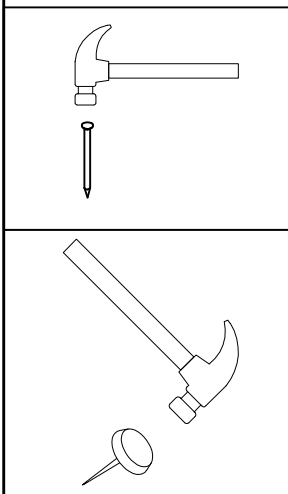
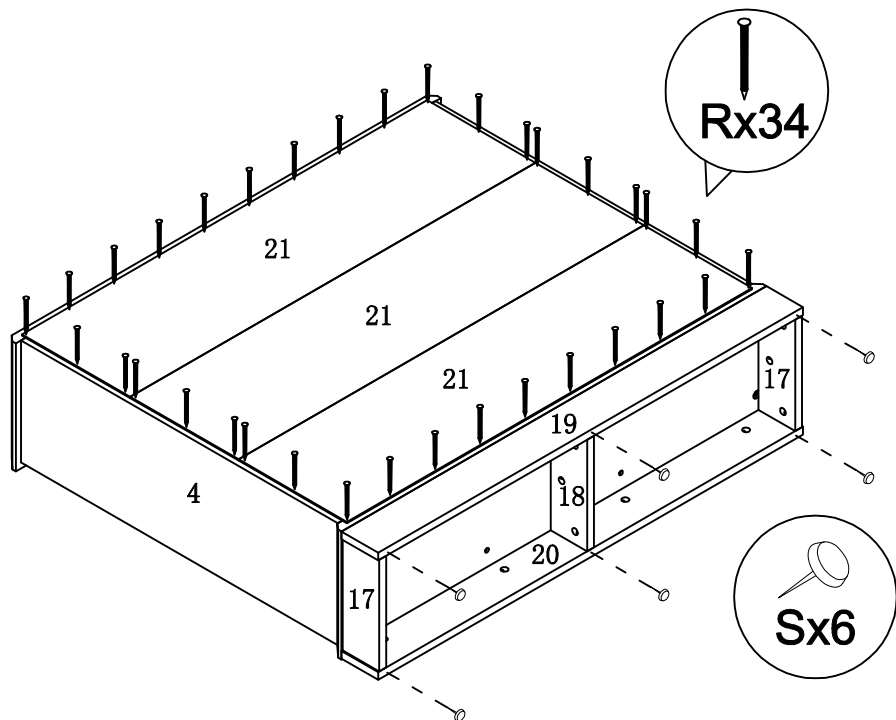
HARDWARE IDENTIFICATION

ITEM#:171976



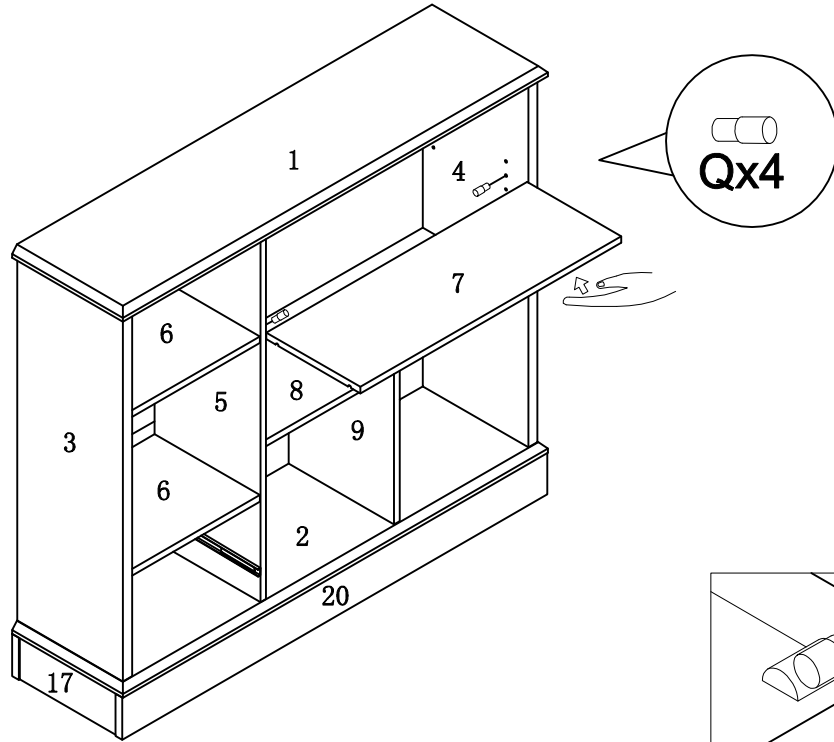
STEP8

STEP9



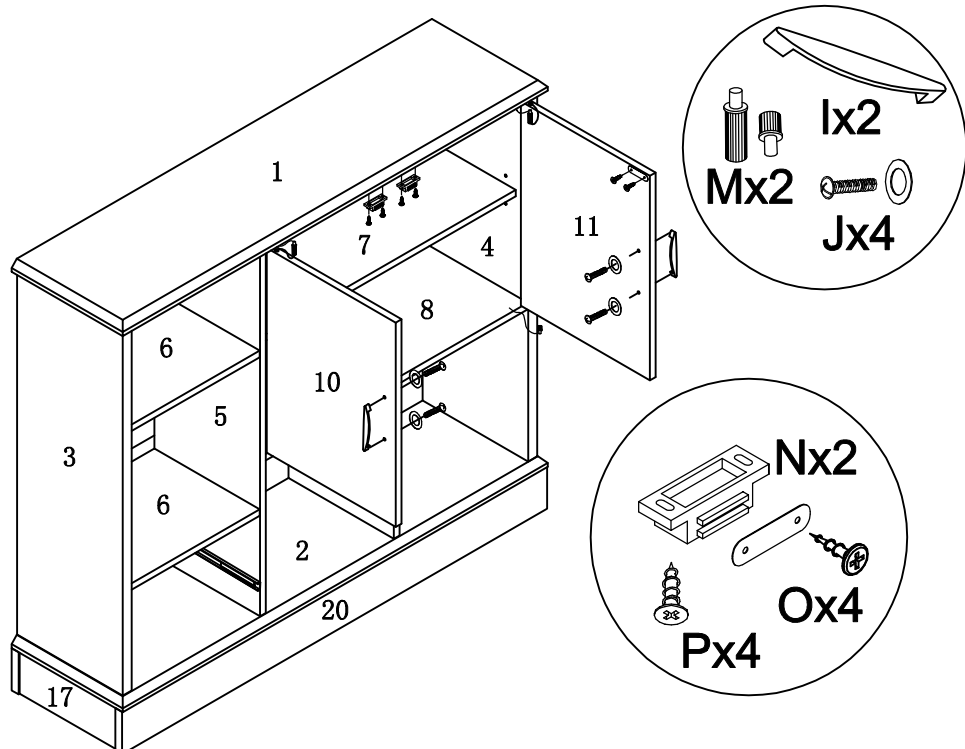
ASSEMBLY INSTRUCTION

ITEM#: 171976



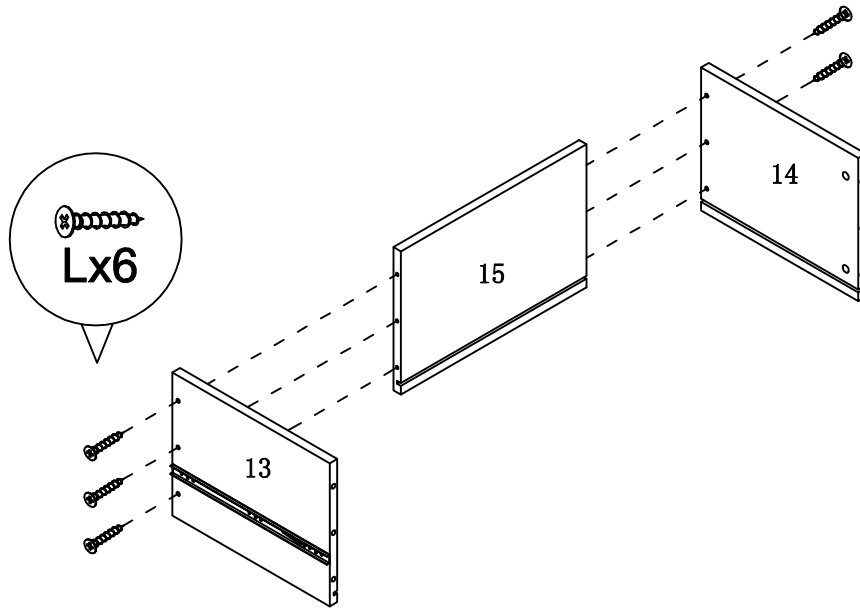
STEP10

STEP11



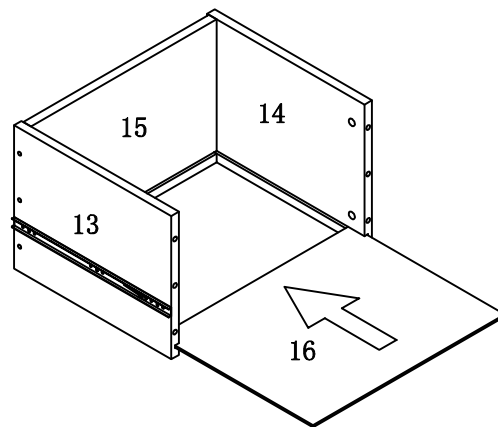
ASSEMBLY INSTRUCTION

ITEM#: 171976



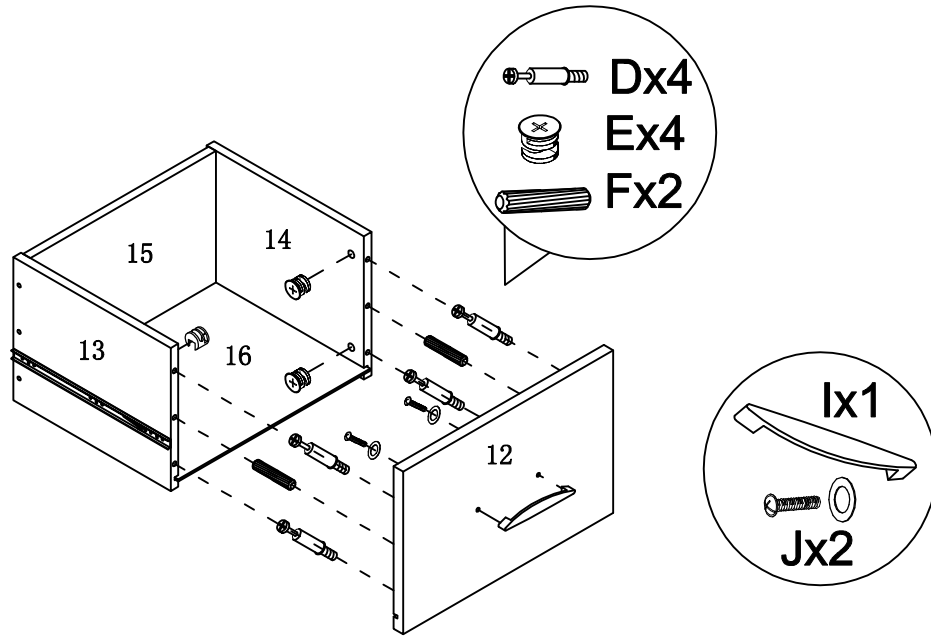
STEP12

STEP13



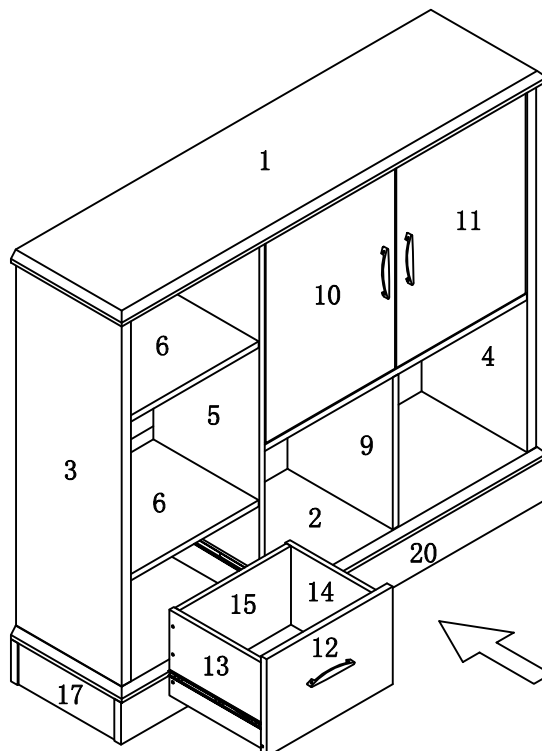
ASSEMBLY INSTRUCTION

ITEM#: 171976

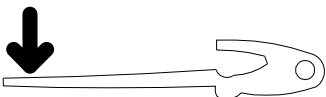


STEP 14

STEP 15

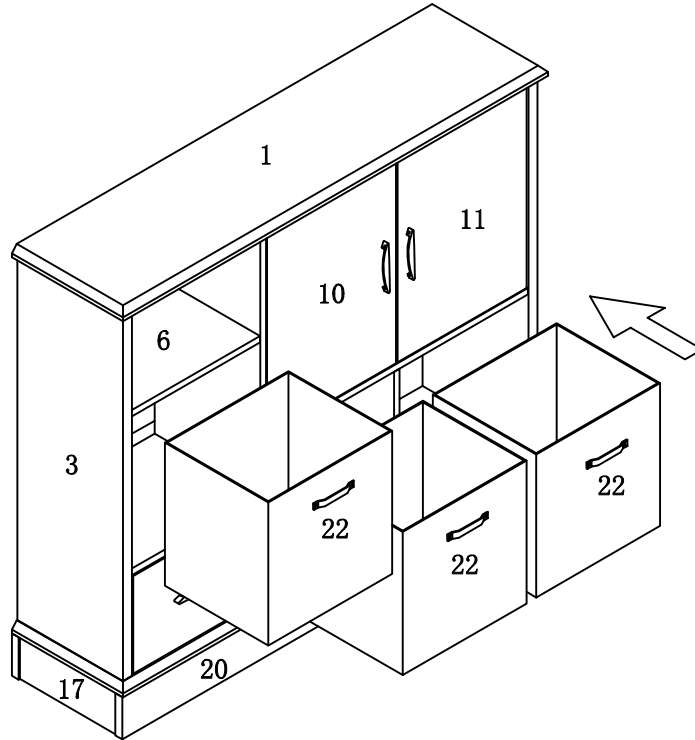


To Release Glide



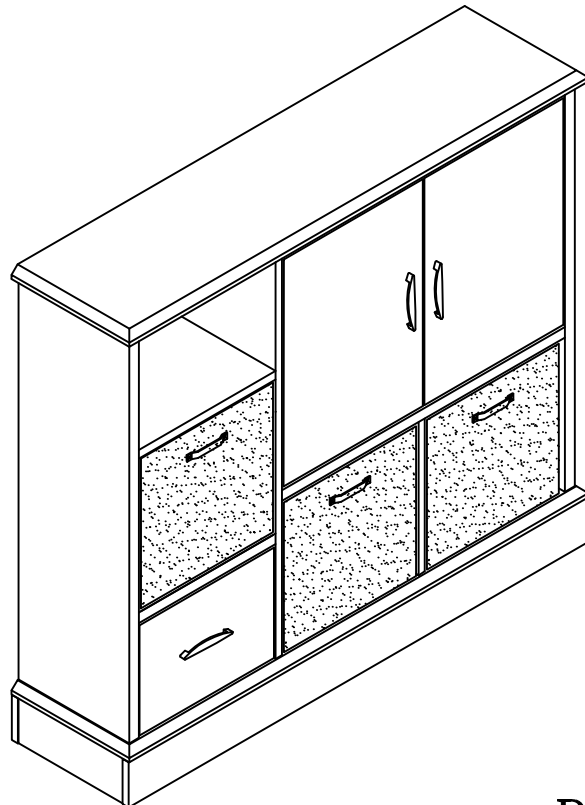
ASSEMBLY INSTRUCTION

ITEM#: 171976



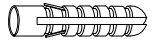
STEP 16

STEP 17

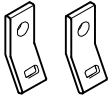


ANTI-TIPPING STRAP INSTRUCTION

HARDWARE (INCLUDED) :



DRYWALL ANCHOR $\phi 8 \times 40$ X 1PC



METAL BRACKETS $12 \times 12 \times 1$ X 2PCS



DRYWALL SCREW $\phi 5 \times 40$ X 1PC

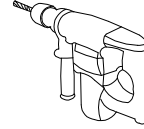


STRAP $197 \times 5 \times 1$ X 1PC



FLATHEAD SCREW $\phi 4 \times 25$ X 1PC

TOOLS NEEDED (NOT INCLUDED) :



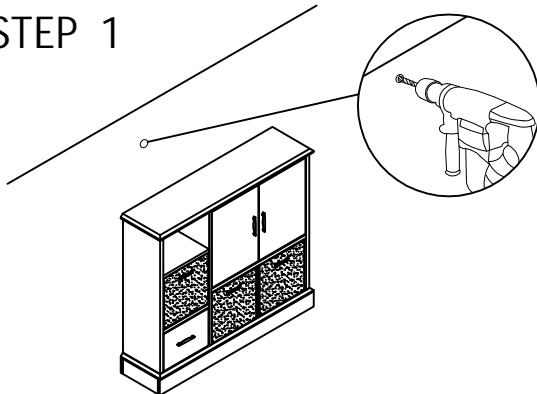
DRILL & DRILL BIT



LIGHT HAMMER

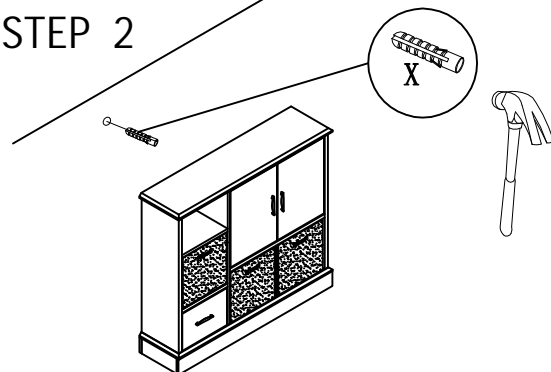
Note: Hardware included only compatible with standard drywalls.

STEP 1



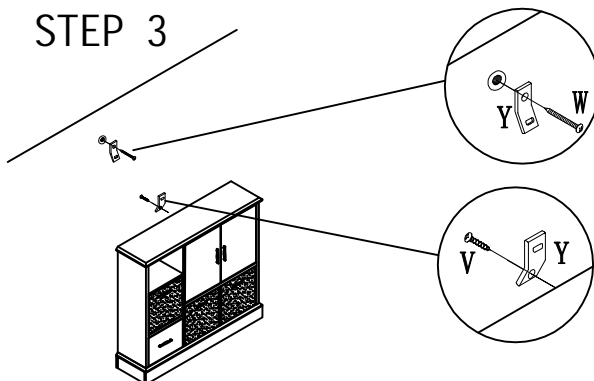
1. Find spot on wall 1" below top of item.
2. Using a drill bit slightly thinner than anchor, drill hole into drywall.

STEP 2



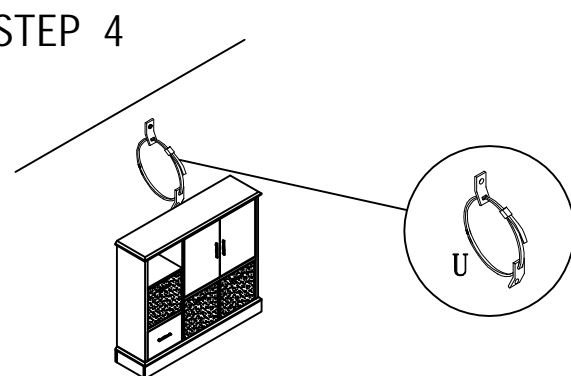
1. Use a light hammer to tap anchor into hole.
2. Anchor should fit snugly. If hole is too small, drill again to increase hole size. Do not force anchor into wall.

STEP 3



1. Insert drywall screw into metal bracket and into drywall anchor.
2. Insert flathead screw into second metal bracket and into back of item along top edge.

STEP 4



1. Insert strap thru bracket attached to wall, then thru bracket on item, and into head of strap.
 2. pull lightly til strap stops.
- Assembly is complete.