

ASSEMBLY INSTRUCTION

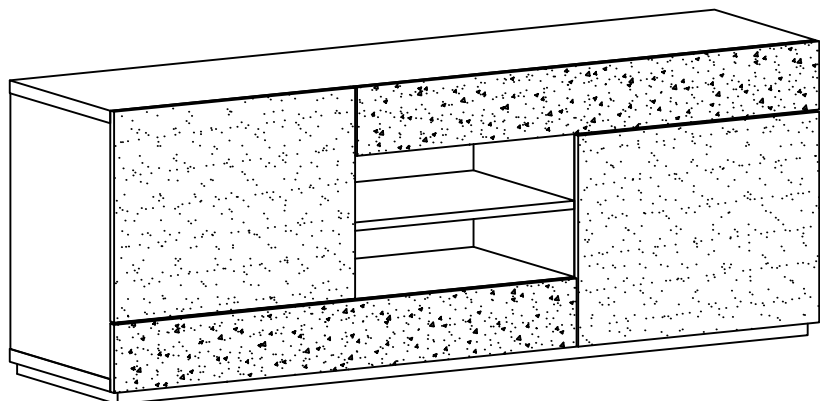
PLEASE READ BEFORE ASSEMBLING!

Tip #1: Make sure you've taken all the pieces and hardware out of its packaging before discarding the box.

Tip #2: Using page 2 and/or page 3 of instruction manual make sure all pieces and hardware are accounted for.

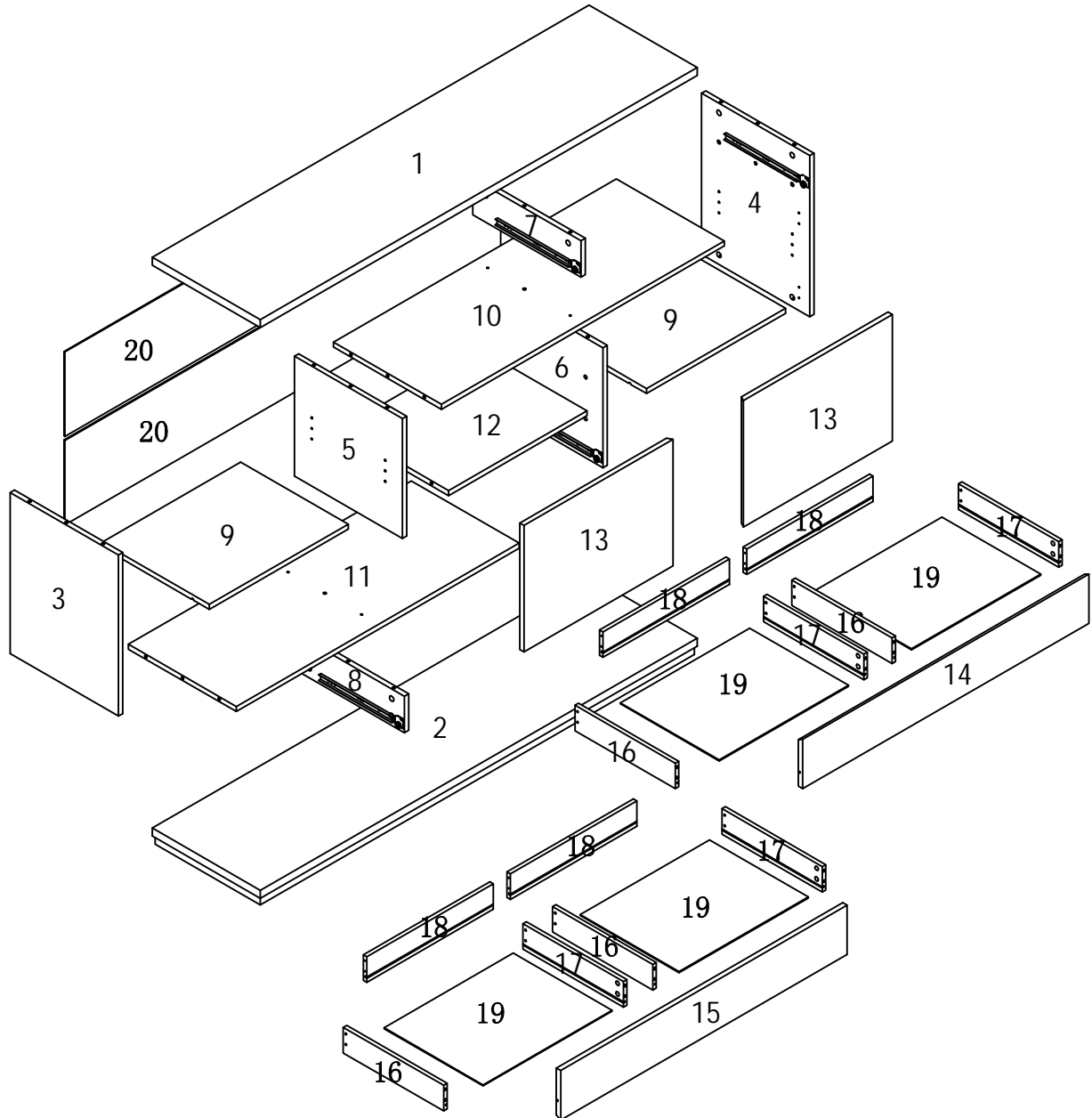
ITEM#:171984

Need some help?
Scan here for
assembly video.



PARTS IDENTIFICATION




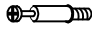

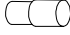
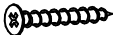
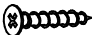



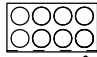


ITEM#:171984



(1)	1pc	(8)	2pcs	(15)	1pc
(2)	1pc	(9)	1pc	(16)	4pcs
(3)	1pc	(10)	1pc	(17)	4pcs
(4)	1pc	(11)	1pc	(18)	4pcs
(5)	1pc	(12)	1pc	(19)	4pcs
(6)	1pc	(13)	2pcs	(20)	2pcs
(7)	1pc	(14)	1pc		

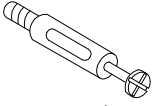

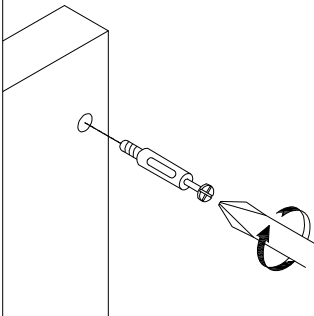
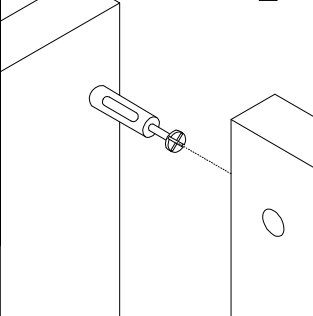
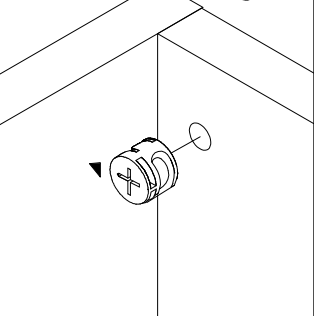
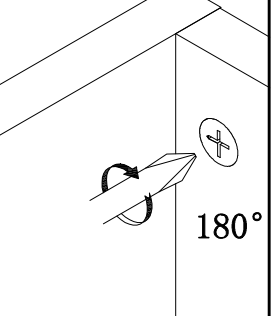
HARDWARE IDENTIFICATION

ITEM#:171984

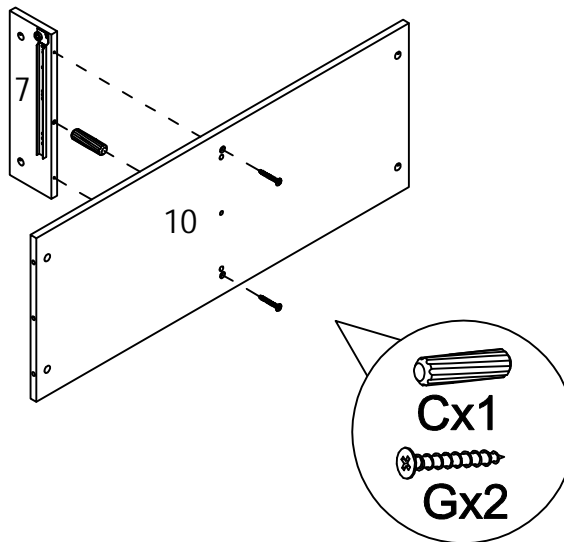
A		L29	32PCS
B		Φ 15	32PCS
C		Φ 8x25	18PCS
D		L20	16PCS
E		Φ 12	16PCS
F		Φ 5x10	8PCS
G		Φ 4x40	4PCS
H		Φ 4x30	16PCS
I		Φ 4x16	16PCS
J			40PCS
K		Φ 16	8PCS
L		Φ 22 (WH3)	6PCS
M		301C	4PCS
N		Glue: For securing please apply to wood dowel first before inserting into panel	1PC

HARDWARE IDENTIFICATION

ITEM#:171984

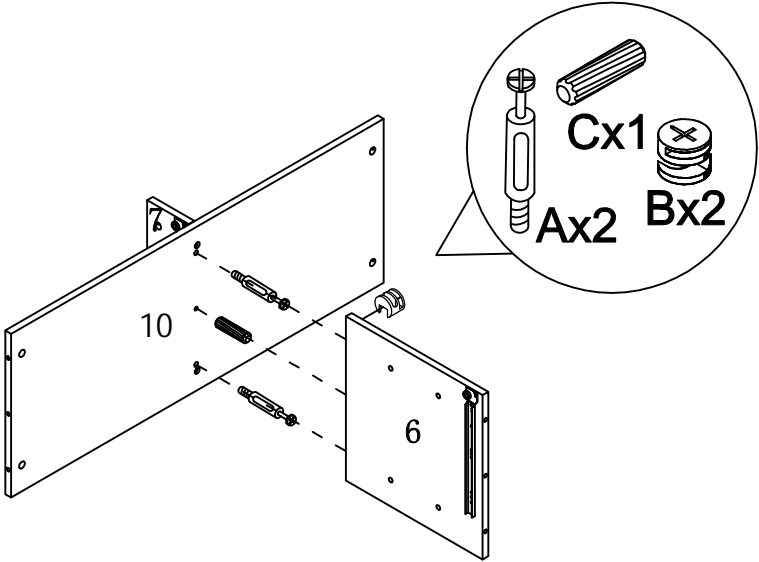
HOW TO	1	2	3	4
 <p>Cam Bolt</p>  <p>Cam Lock</p>				
	<p>1. Screw Cam Bolt into panel.</p>	<p>2. Insert Cam Bolt into bolt hole of joining panel.</p>	<p>3. Insert Cam Lock. arrow facing bolt.</p>	<p>4. Gently turn Cam Lock clockwise to lock position.</p>

STEP 1



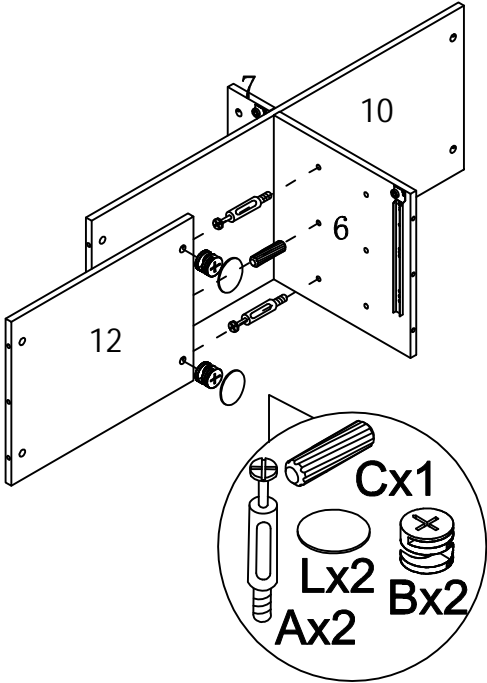
HARDWARE IDENTIFICATION

ITEM#:171984



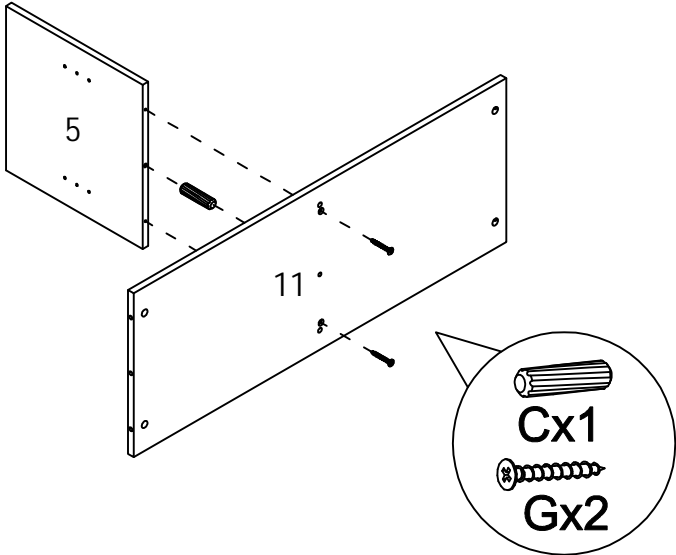
STEP2

STEP3



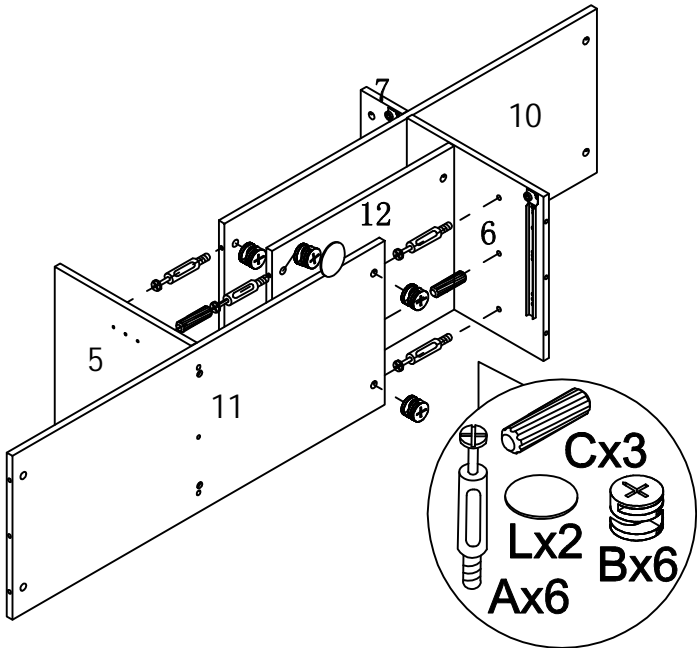
HARDWARE IDENTIFICATION

ITEM#:171984



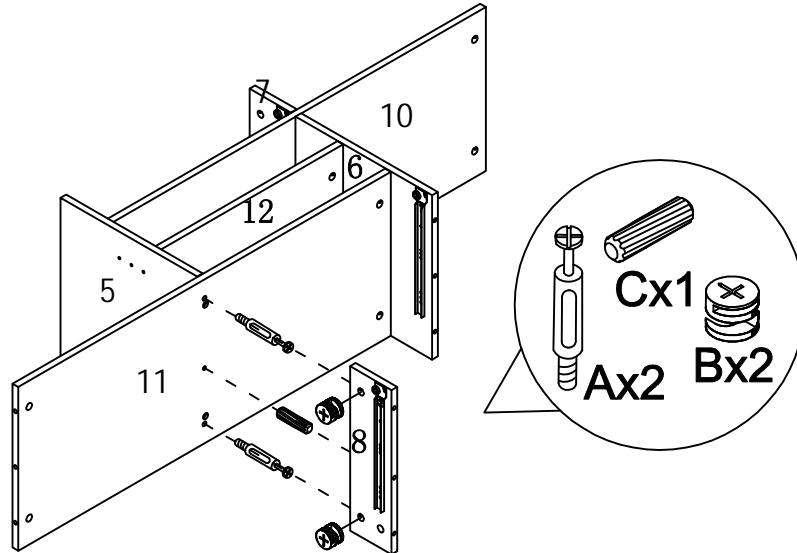
STEP4

STEP5



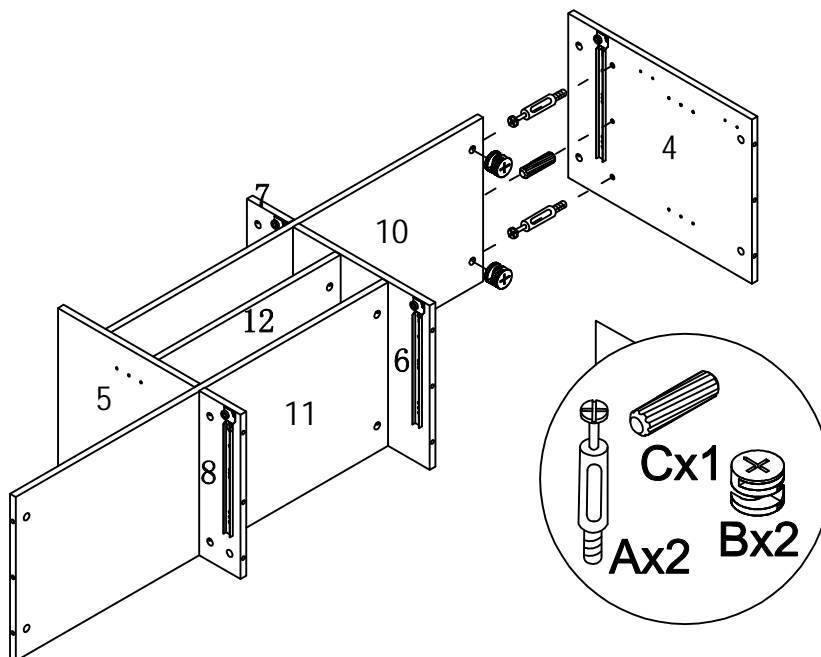
HARDWARE IDENTIFICATION

ITEM#:171984



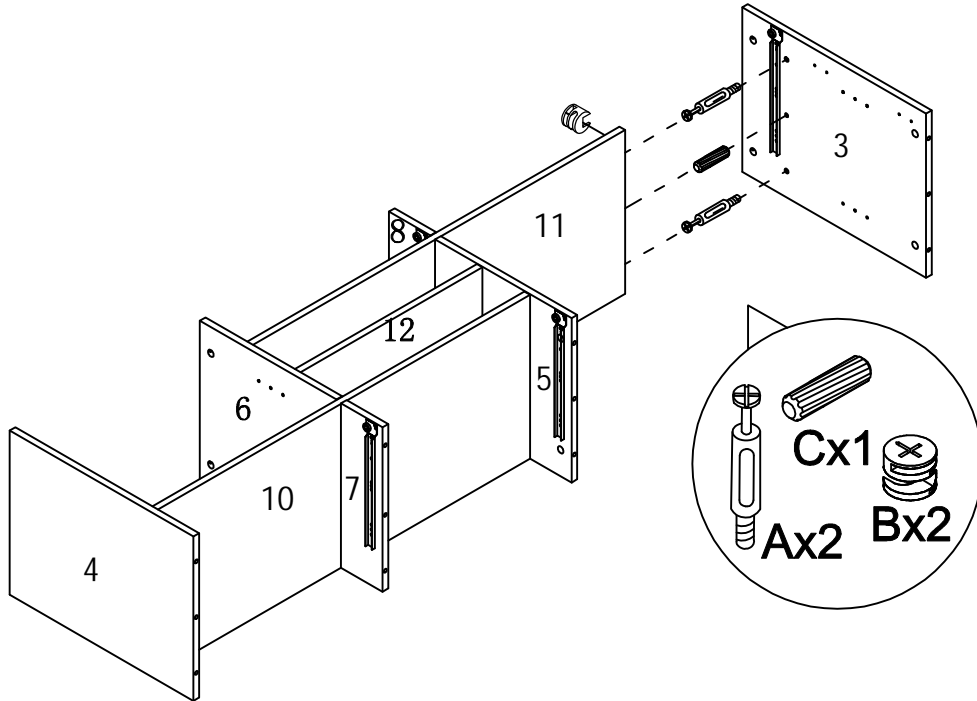
STEP6

STEP7



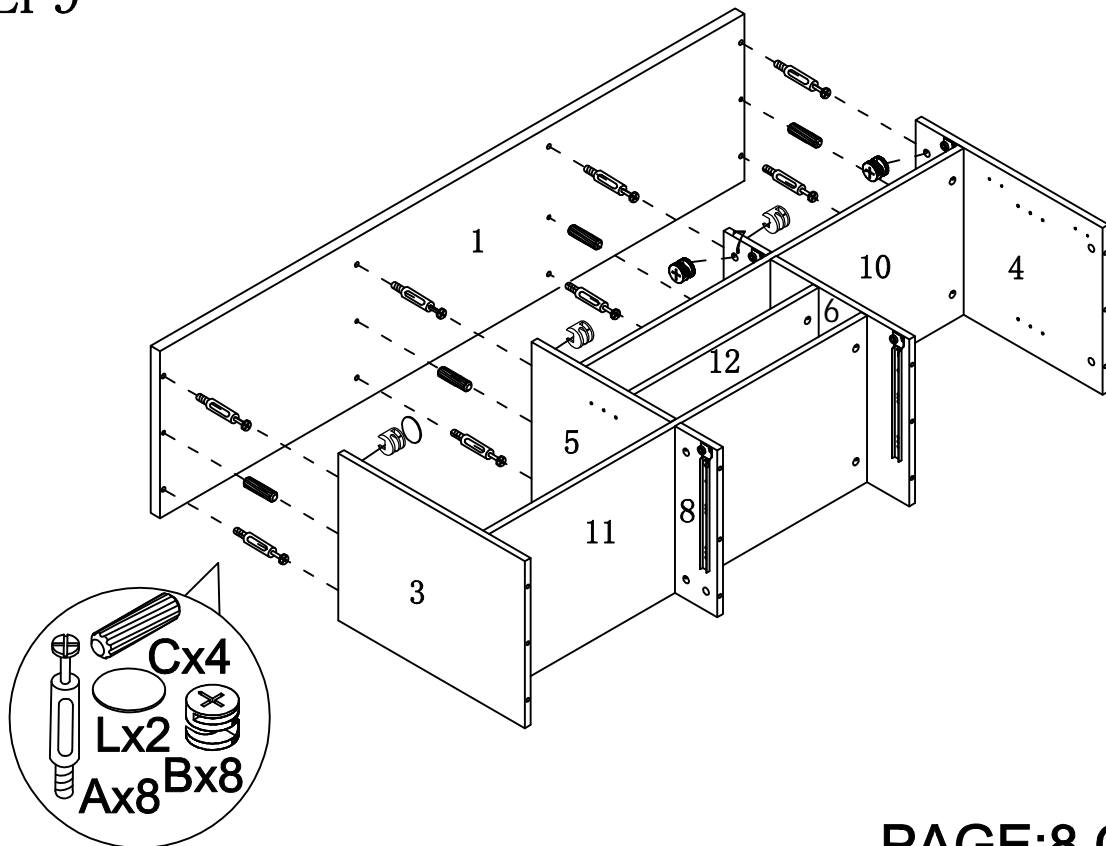
HARDWARE IDENTIFICATION

ITEM#:171984



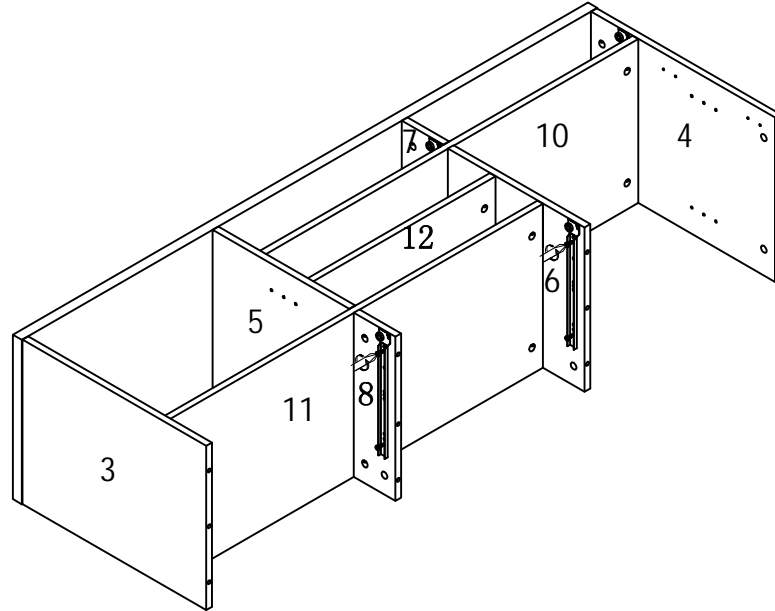
STEP8

STEP9



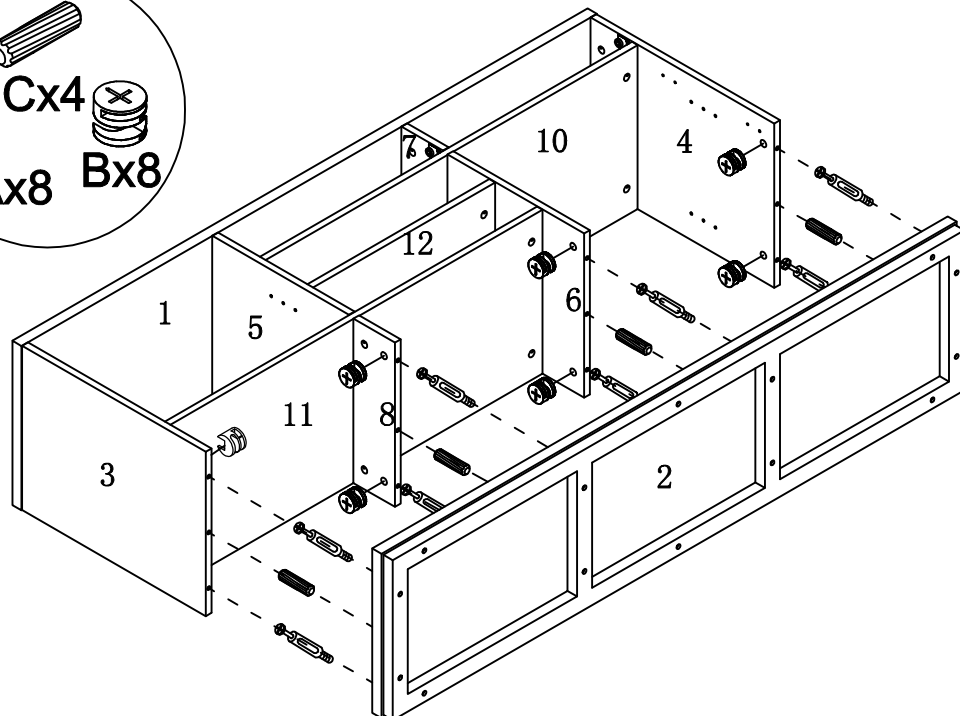
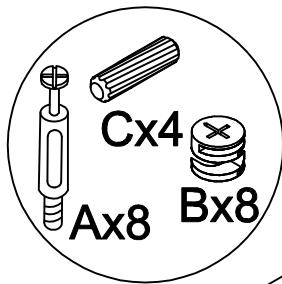
ASSEMBLY INSTRUCTION

ITEM#: 171984



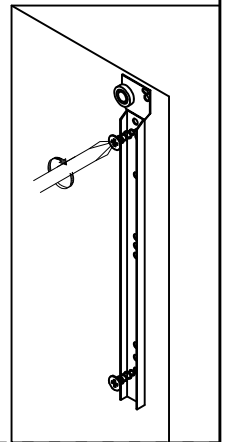
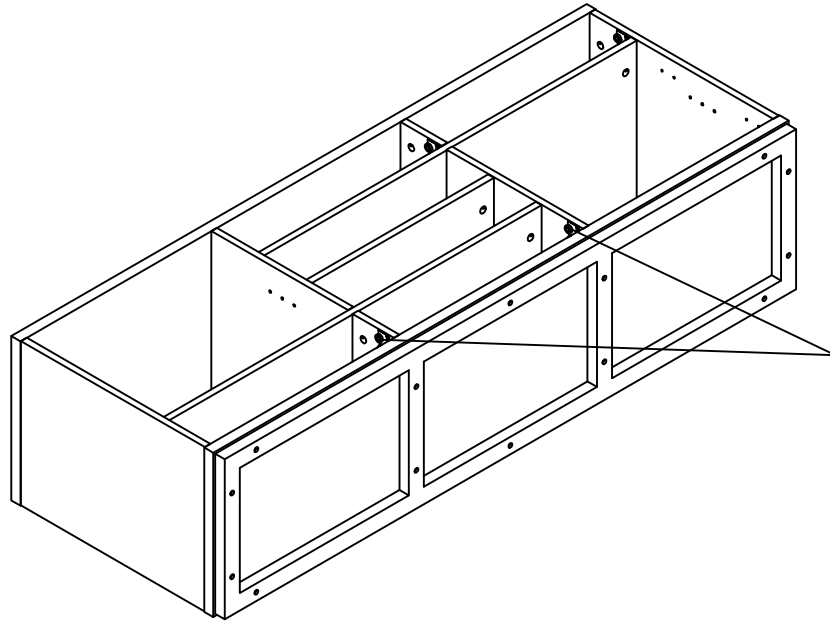
STEP10

STEP11



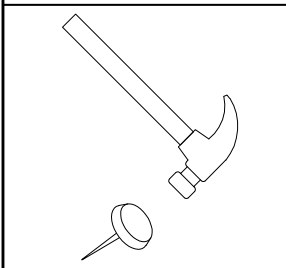
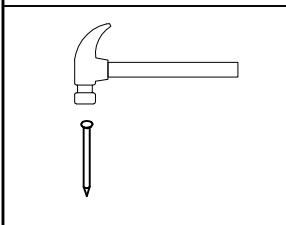
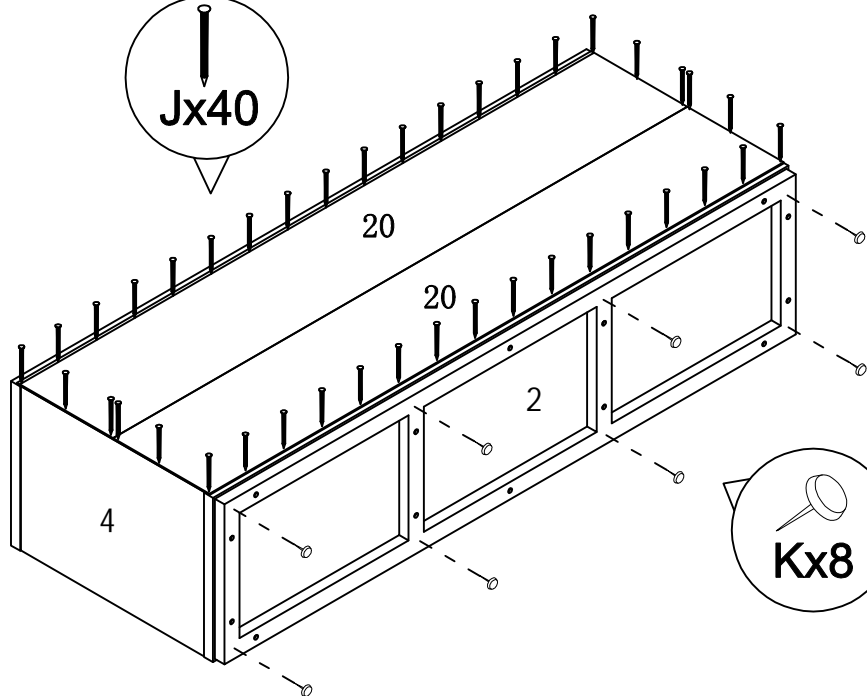
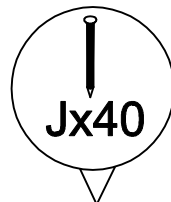
ASSEMBLY INSTRUCTION

ITEM#: 171984



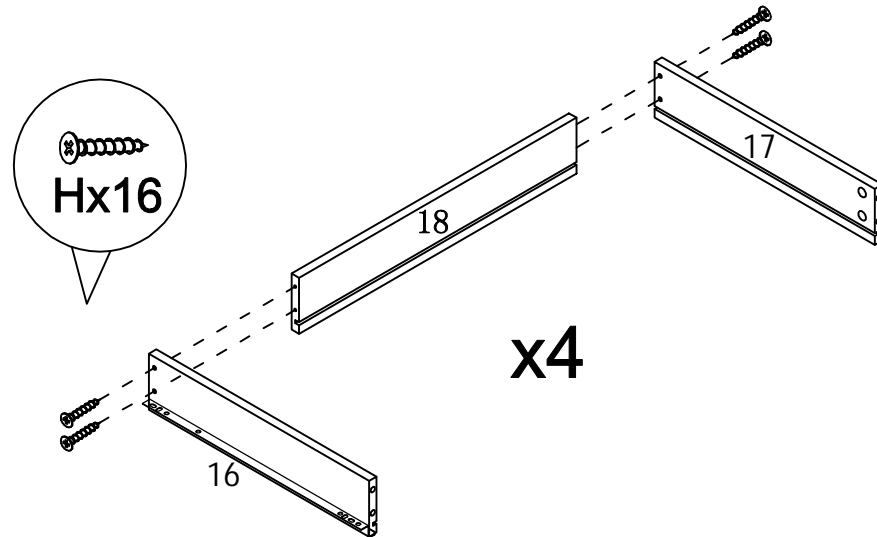
STEP12

STEP13



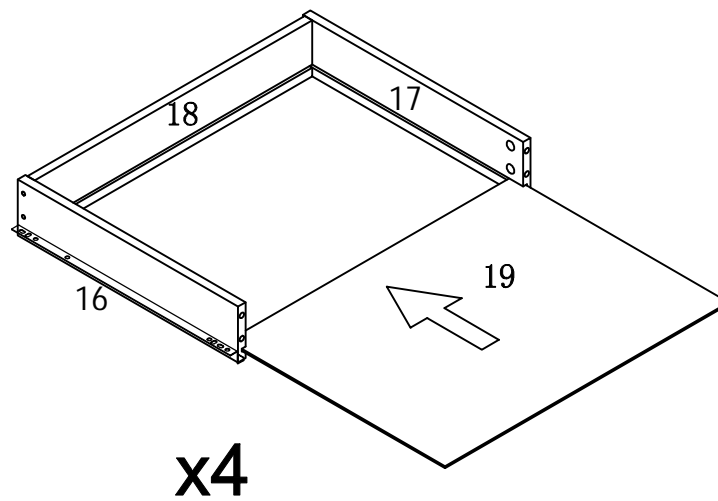
ASSEMBLY INSTRUCTION

ITEM#: 171984



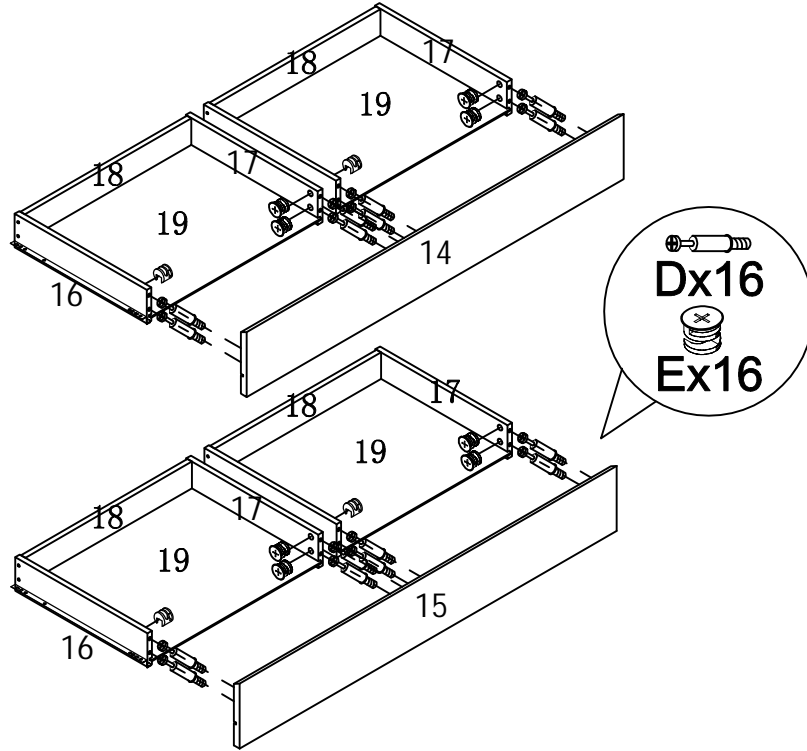
STEP14

STEP15



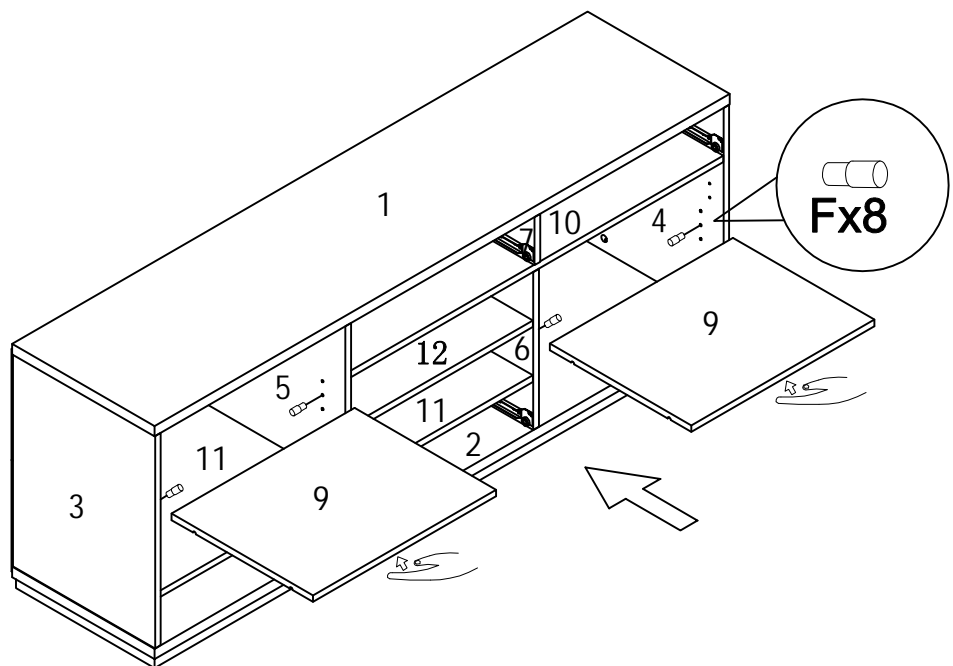
ASSEMBLY INSTRUCTION

ITEM#: 171984



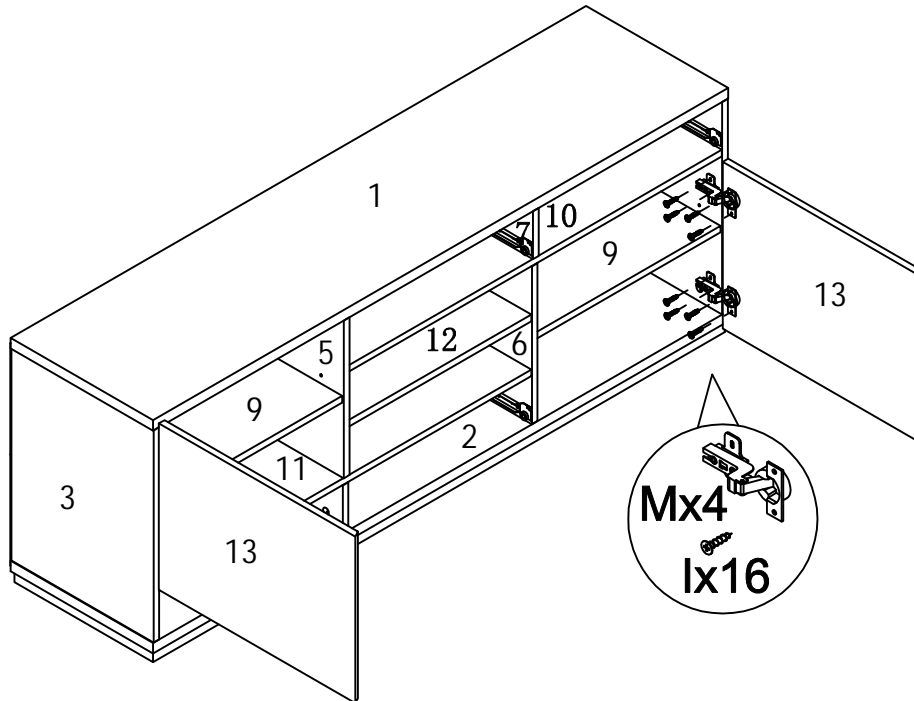
STEP16

STEP17

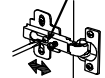


ASSEMBLY INSTRUCTION

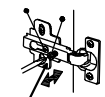
ITEM#: 171984



To adjust the door in or out, loosen this screw and push the door further in or push further out then retighten screws.



To adjust the door vertically, loosen the top and bottom screws, push the door up or down as necessary, then retighten screws.



To adjust the door left/right, turn this screw clockwise to move this corner of the door toward the frame, or counterclockwise to move door away from the frame.

STEP 18

STEP 19

