

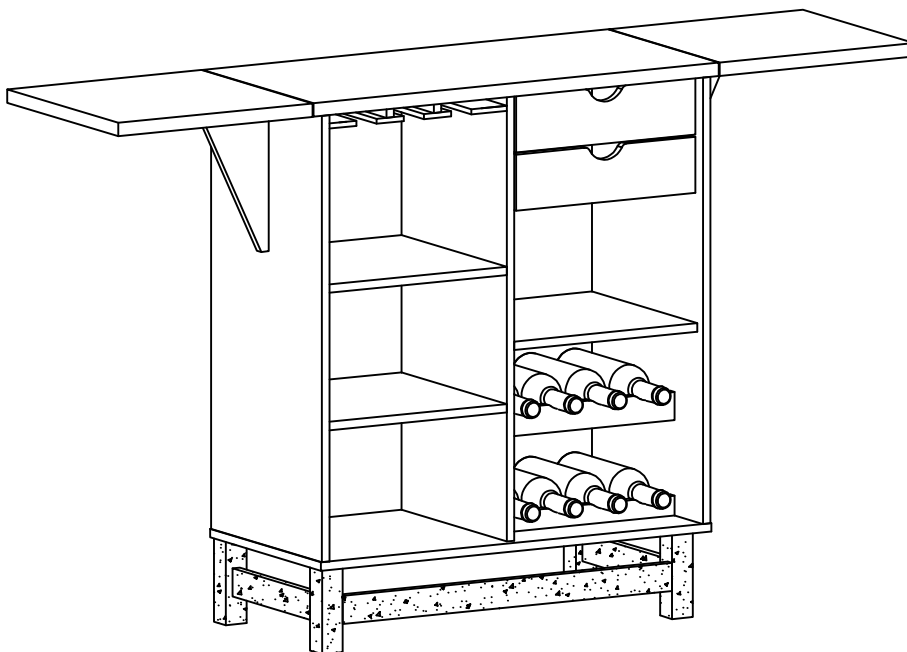
ASSEMBLY INSTRUCTION

PLEASE READ BEFORE ASSEMBLING!

Tip #1: Make sure you've taken all the pieces and hardware out of its packaging before discarding the box.

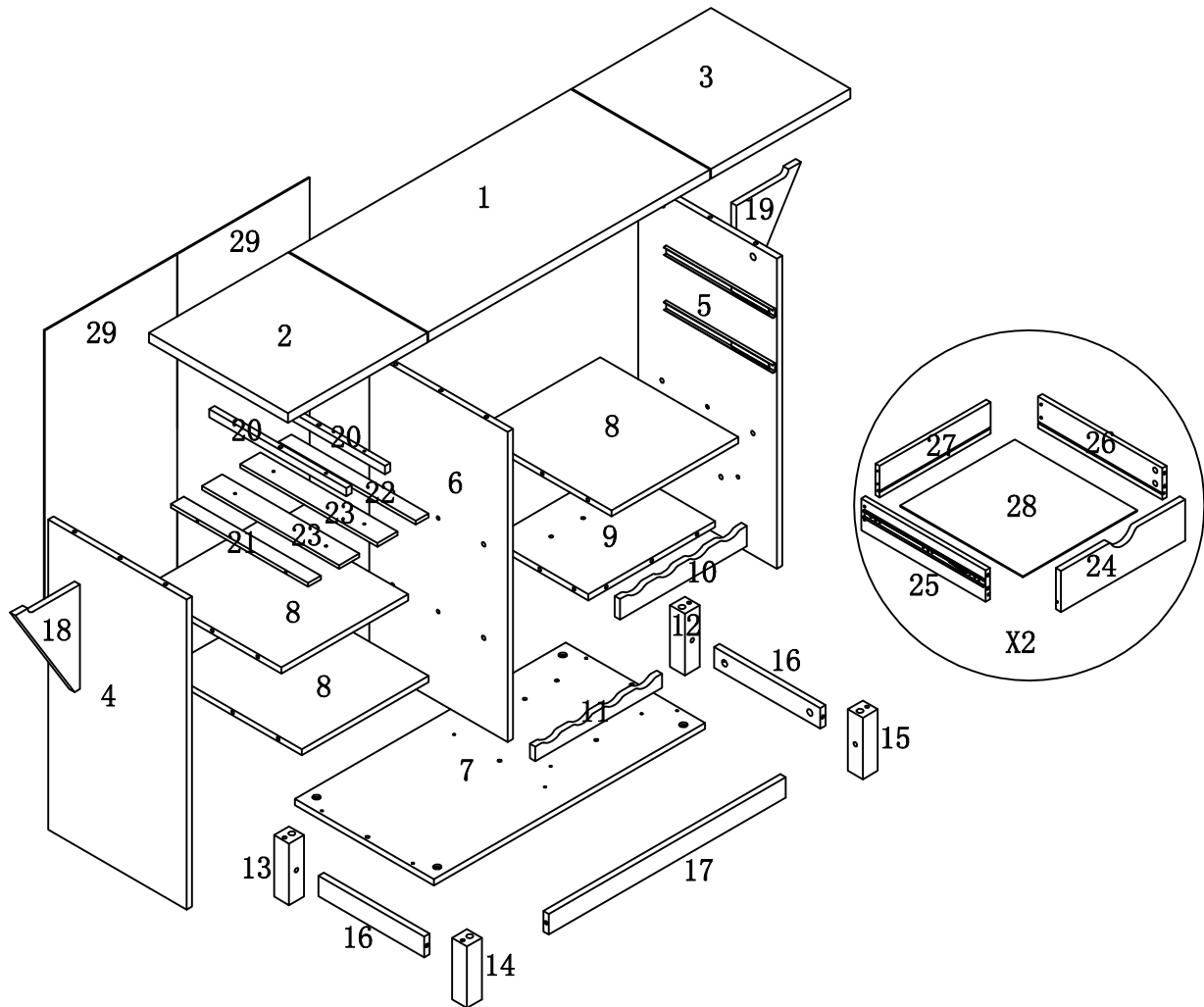
Tip #2: Using page 2 and/or page 3 of instruction manual make sure all pieces and hardware are accounted for.

ITEM#:172177



PARTS IDENTIFICATION





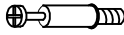

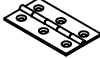








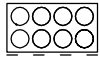




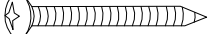
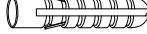

ITEM#:172177



(1)	1pc	(8)	3pcs	(15)	1pc	(22)	1pc	(29)	2pcs
(2)	1pc	(9)	1pc	(16)	2pcs	(23)	2pcs		
(3)	1pc	(10)	1pc	(17)	1pc	(24)	2pcs		
(4)	1pc	(11)	1pc	(18)	1pc	(25)	2pcs		
(5)	1pc	(12)	1pc	(19)	1pc	(26)	2pcs		
(6)	1pc	(13)	1pc	(20)	2pcs	(27)	2pcs		
(7)	1pc	(14)	1pc	(21)	1pc	(28)	2pcs		

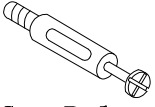

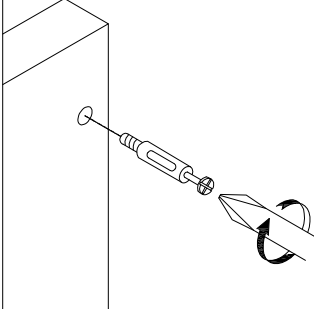
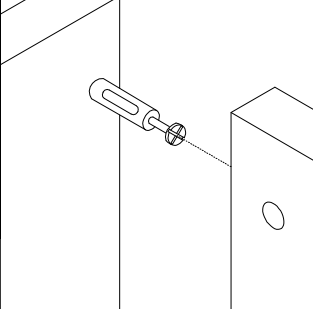
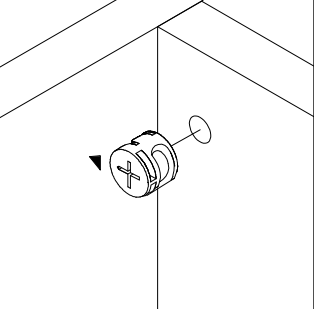
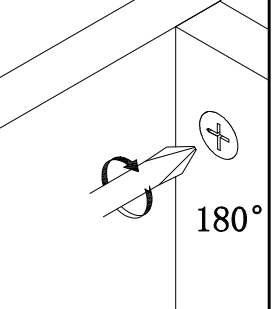
HARDWARE IDENTIFICATION

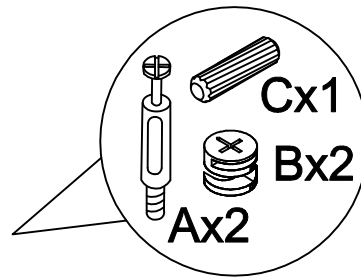
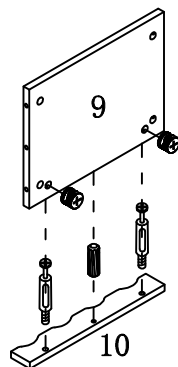
ITEM#:172177

A		L29	30PCS
B		Φ 15	30PCS
C		Φ 8x25	38PCS
D		Glue: For securing please apply to wood dowel first before inserting into panel	1PC
E		L20	12PCS
F		Φ 12	12PCS
G		50x15	4PCS
H		Φ 4x16	24PCS
I		Φ 6x30	2PCS
J		Φ 4x30	16PCS
K		Φ 4x12	16PCS
L		M8x25	4PCS
M			48PCS
N		Φ 6x12	2PCS
O		M6x35	4PCS
P		Φ 22	4PCS
Q		Φ 16	4PCS
R		M5	1PC
S		197×5×1	1PC
T		ø4×25	1PC
U		ø5×40	1PC
V		ø8×40	1PC
W		12×12×1	2PCS

HARDWARE IDENTIFICATION

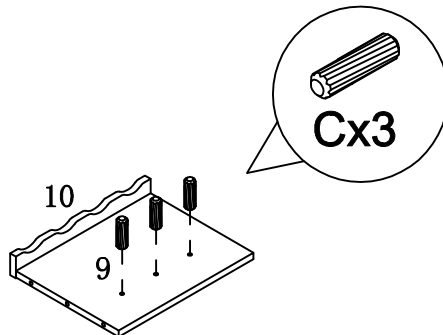
ITEM#:172177

HOW TO	1	2	3	4
 <p>Cam Bolt</p>  <p>Cam Lock</p>				
	<p>1. Screw Cam Bolt into panel.</p>	<p>2. Insert Cam Bolt into bolt hole of joining panel.</p>	<p>3. Insert Cam Lock. arrow facing bolt.</p>	<p>4. Gently turn Cam Lock clockwise to lock position.</p>



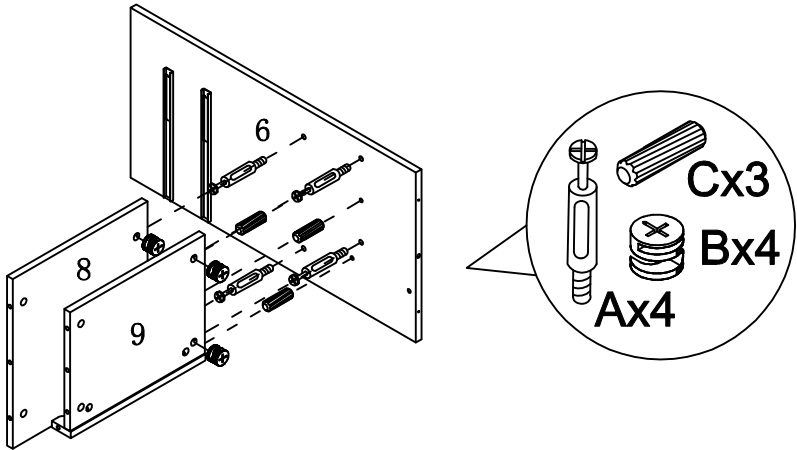
STEP1

STEP2



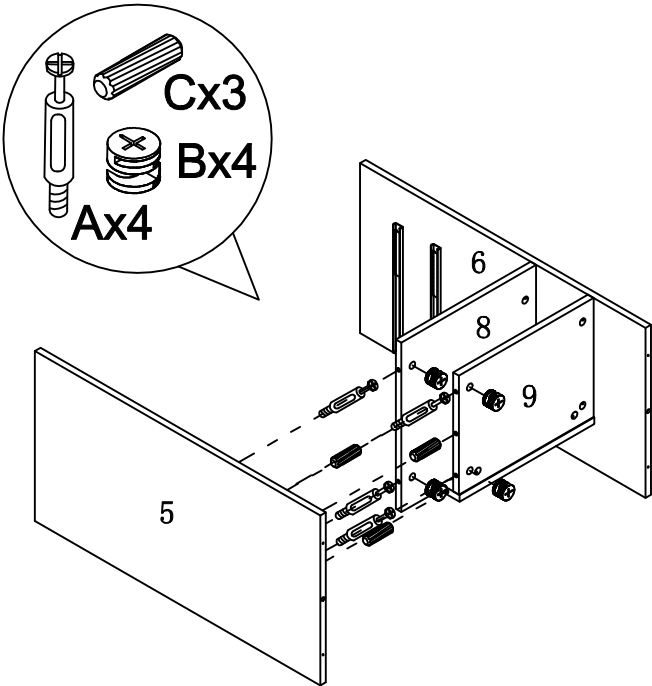
HARDWARE IDENTIFICATION

ITEM#:172177



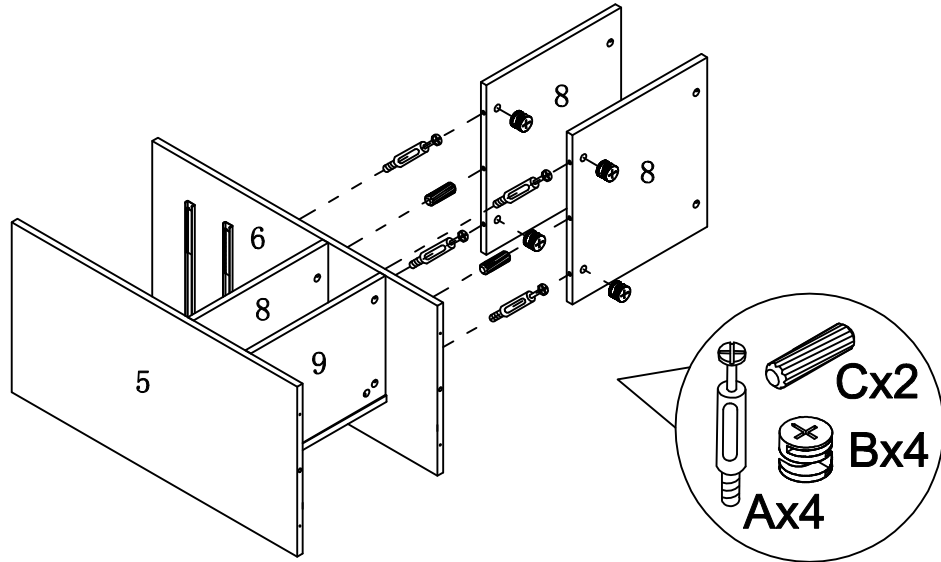
STEP3

STEP4



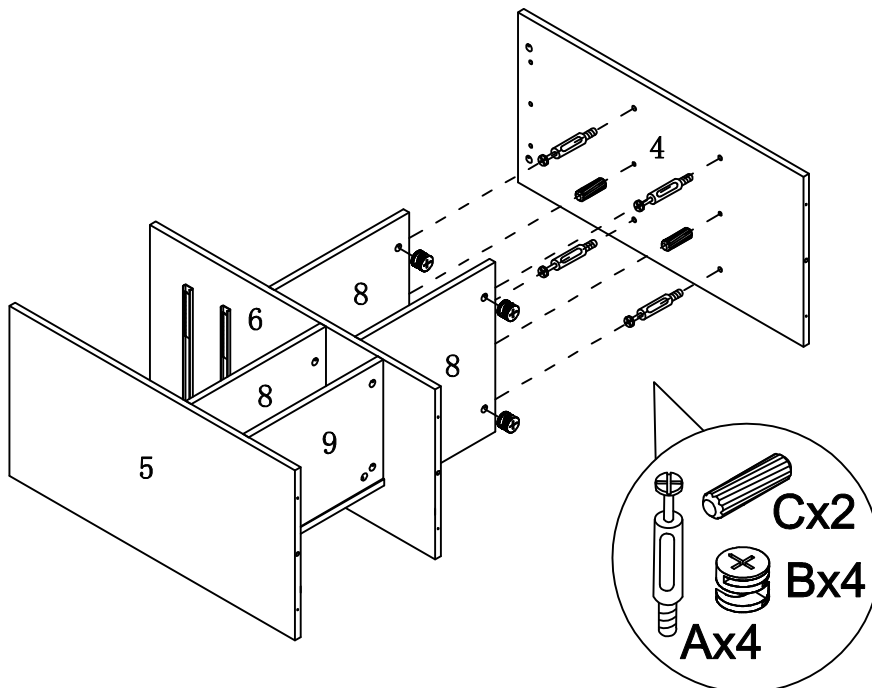
HARDWARE IDENTIFICATION

ITEM#:172177



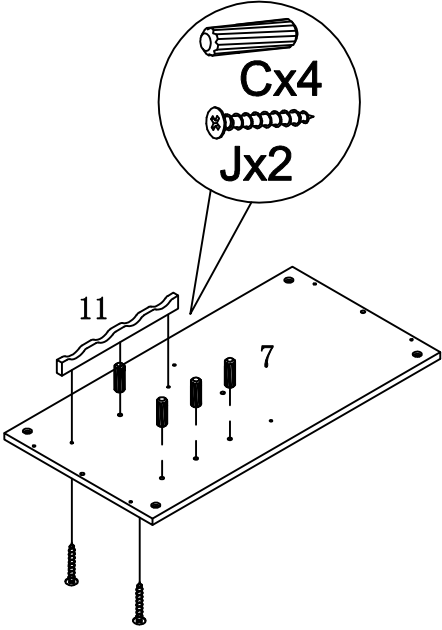
STEP5

STEP6



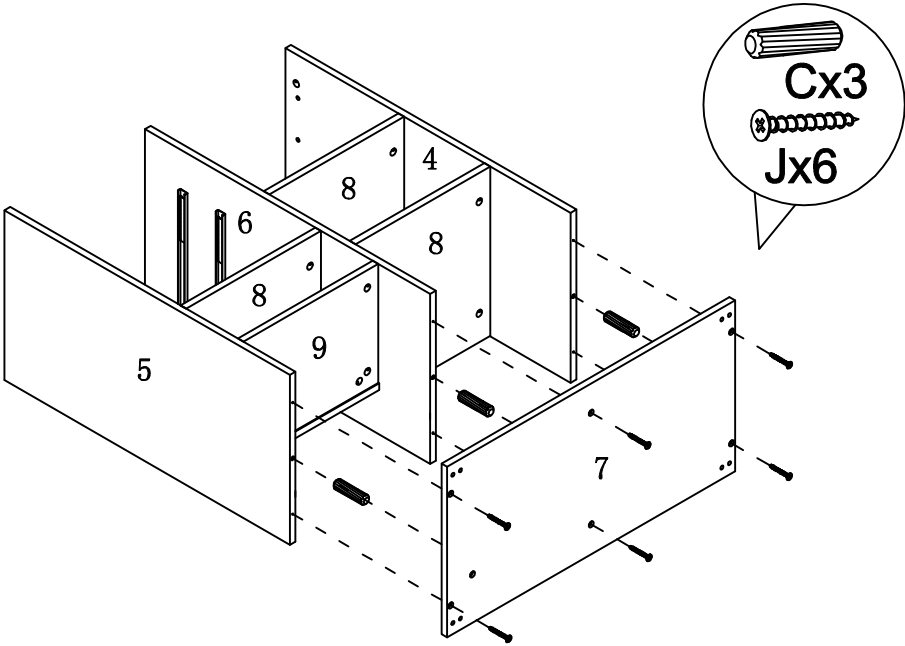
HARDWARE IDENTIFICATION

ITEM#:172177



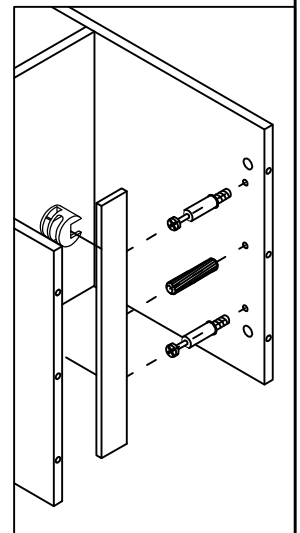
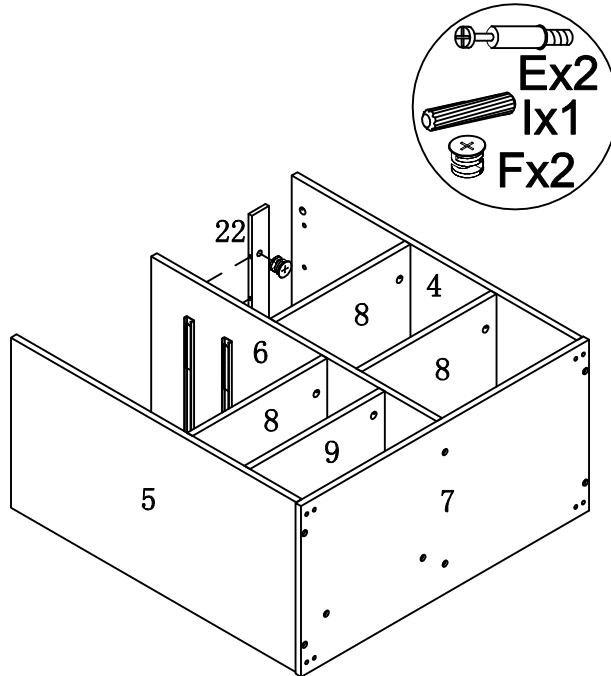
STEP7

STEP8



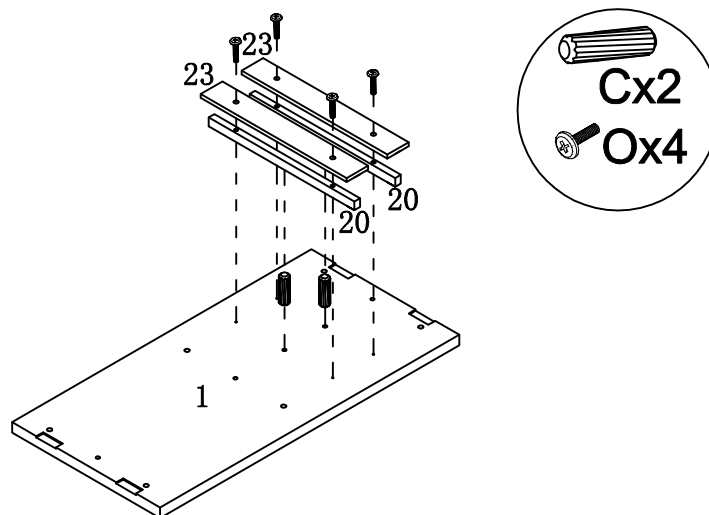
HARDWARE IDENTIFICATION

ITEM#:172177



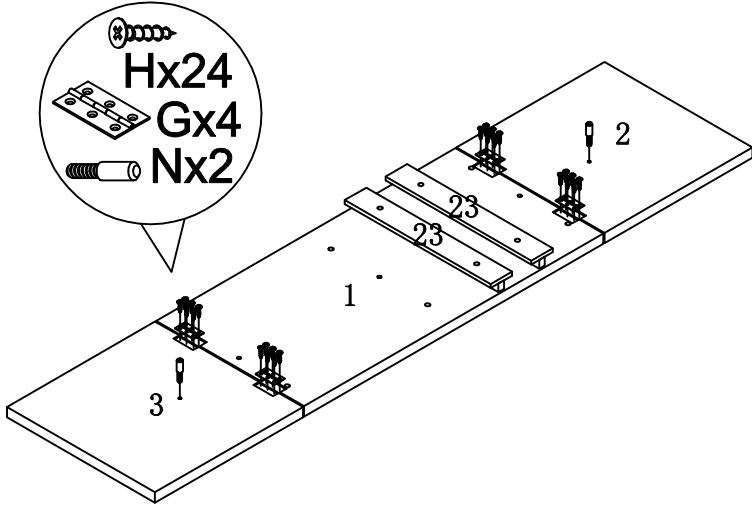
STEP9

STEP10



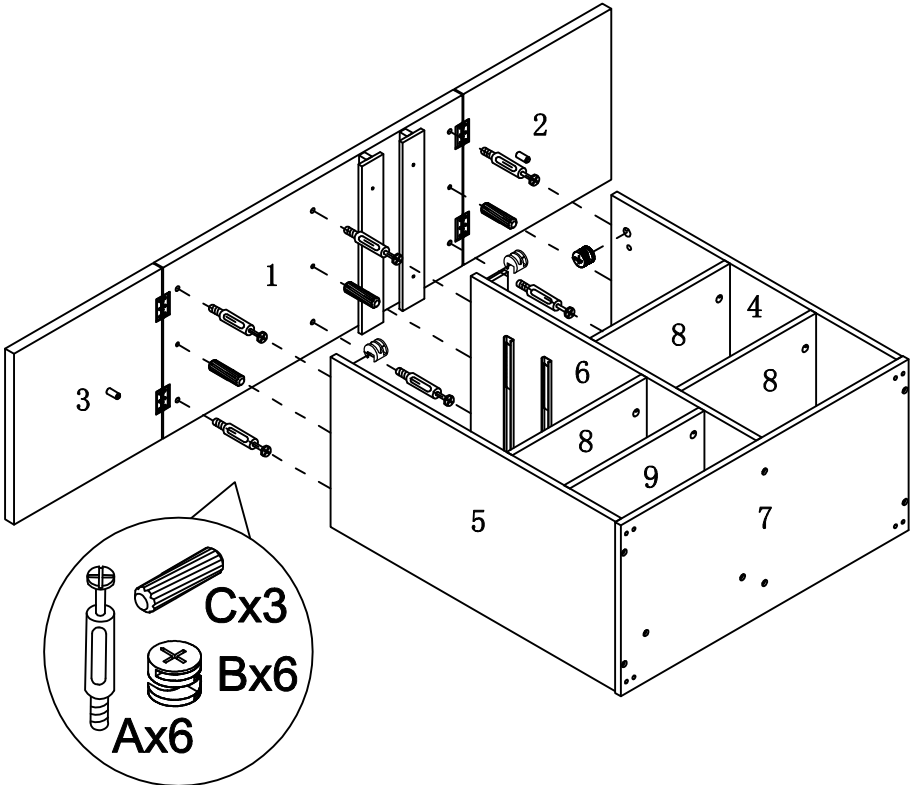
HARDWARE IDENTIFICATION

ITEM#:172177



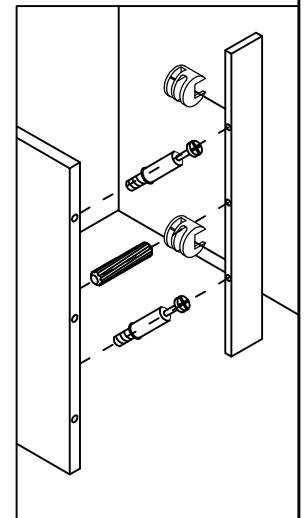
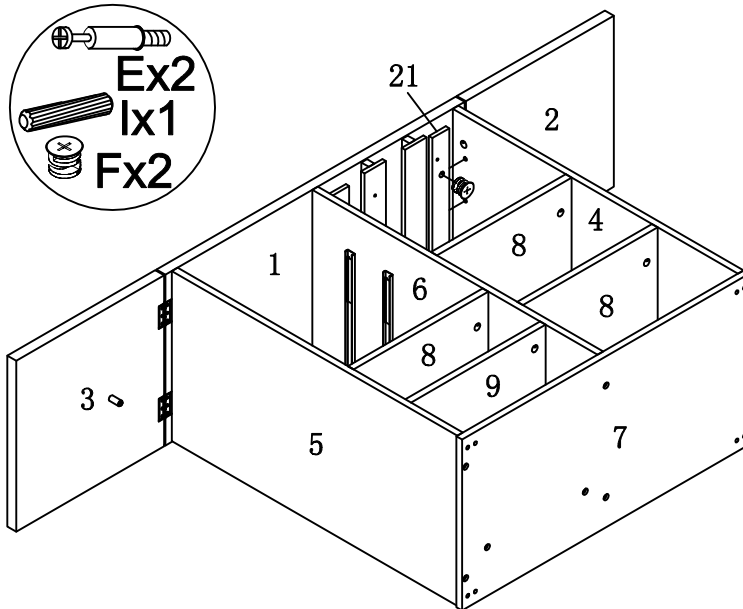
STEP 11

STEP 12



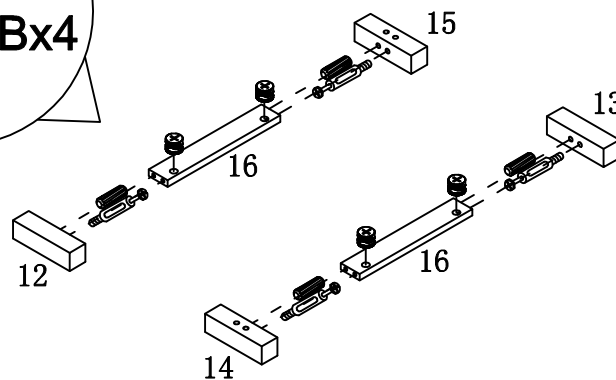
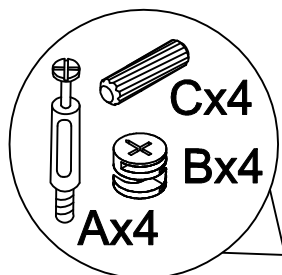
ASSEMBLY INSTRUCTION

ITEM#:172177



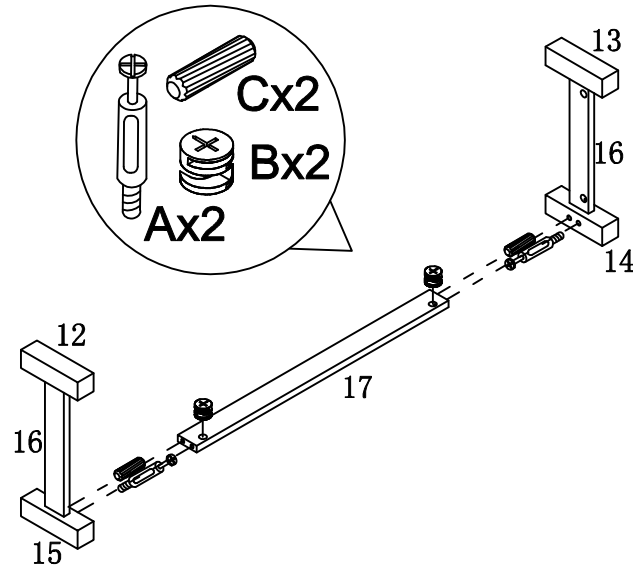
STEP13

STEP14



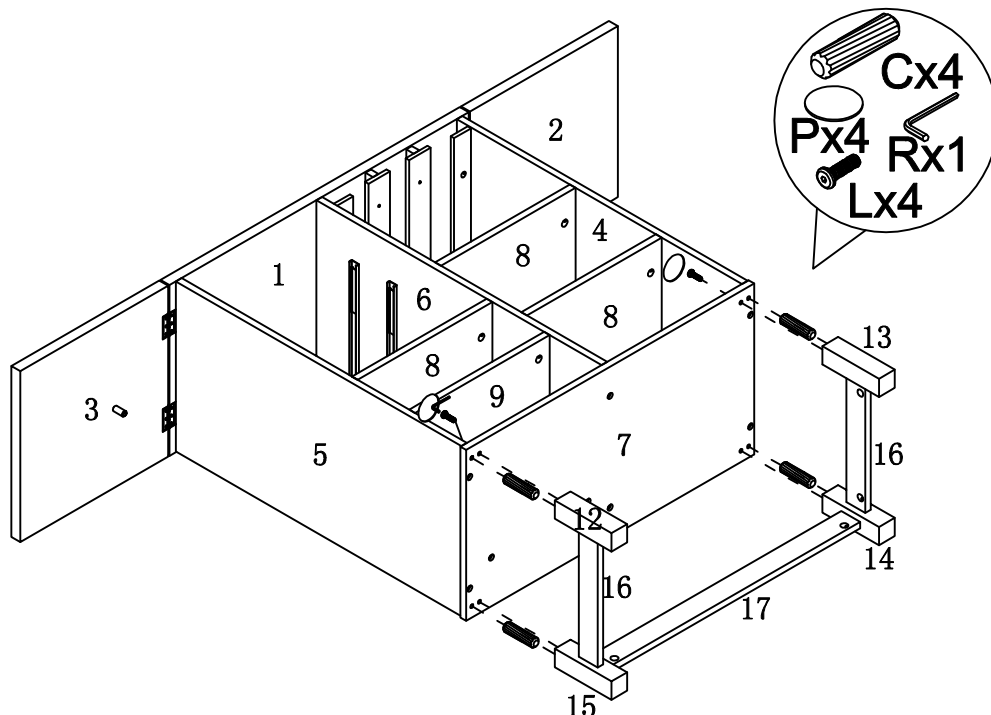
ASSEMBLY INSTRUCTION

ITEM#:172177



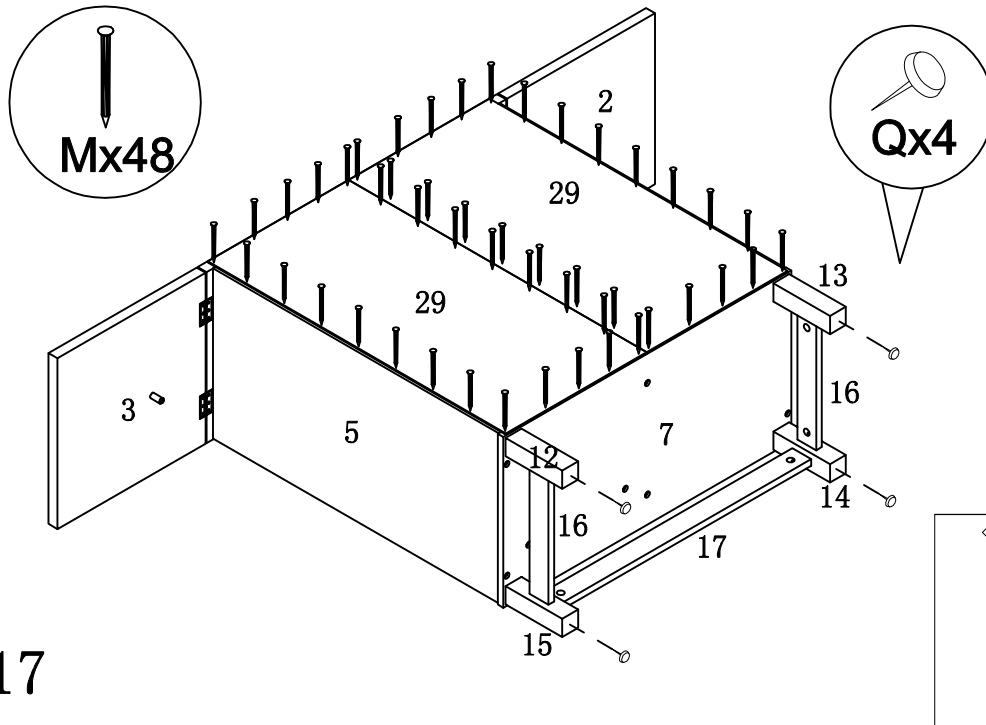
STEP15

STEP16

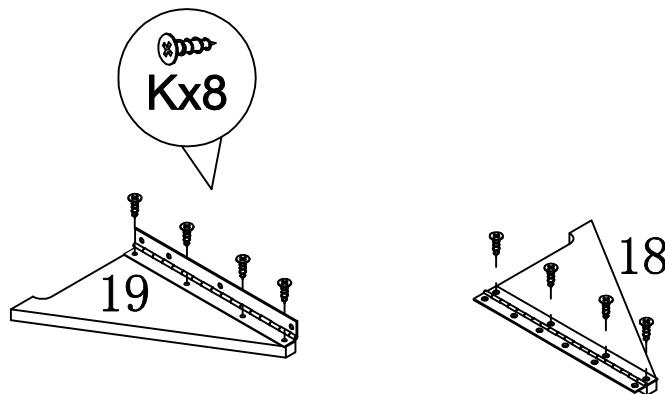


ASSEMBLY INSTRUCTION

ITEM#:172177

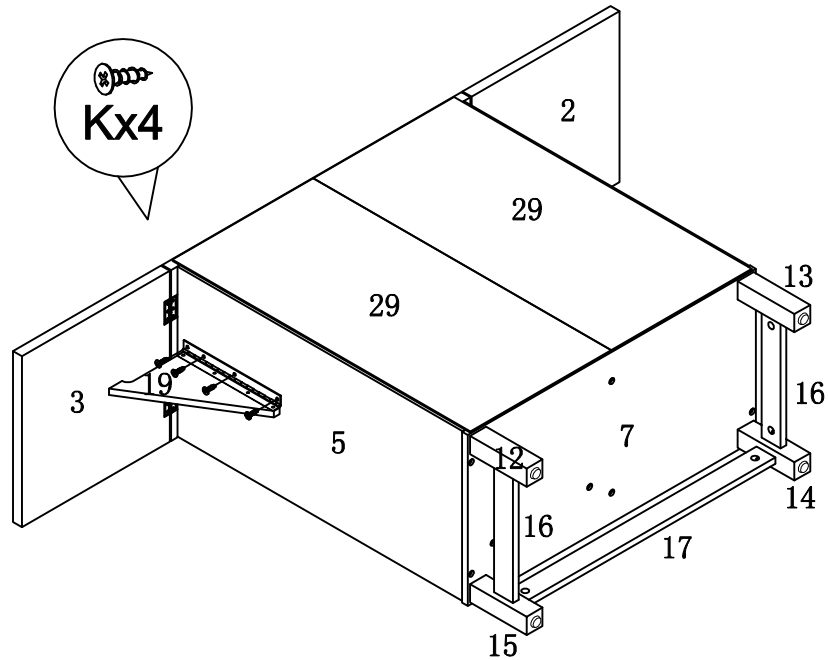


STEP18



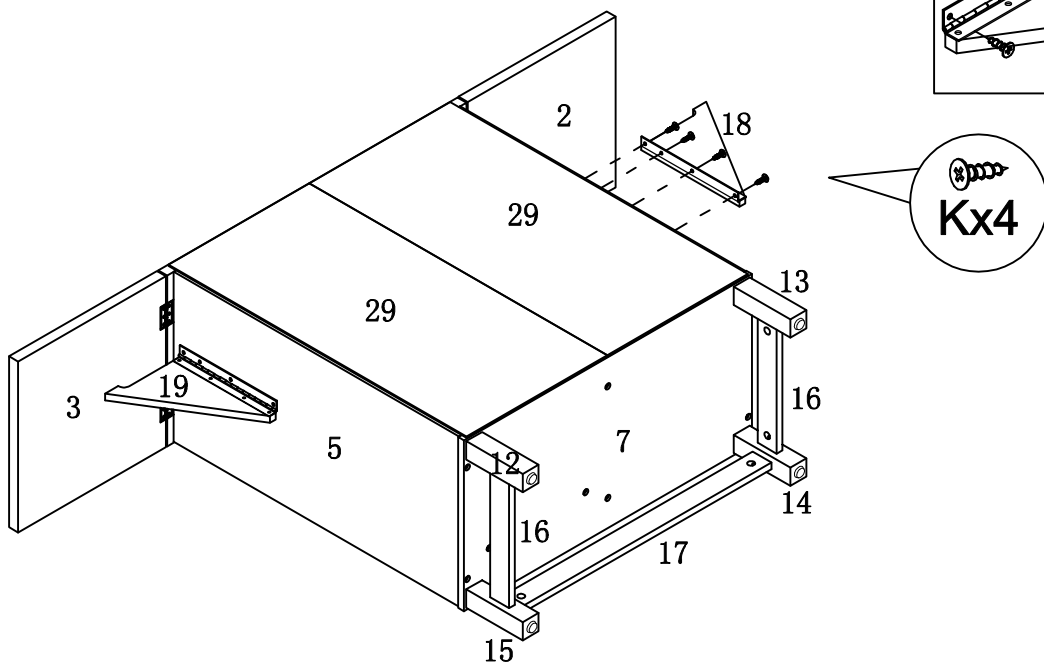
ASSEMBLY INSTRUCTION

ITEM#:172177



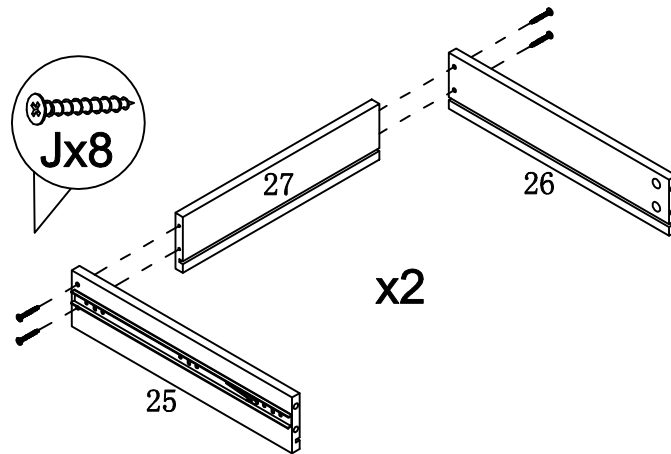
STEP19

STEP20



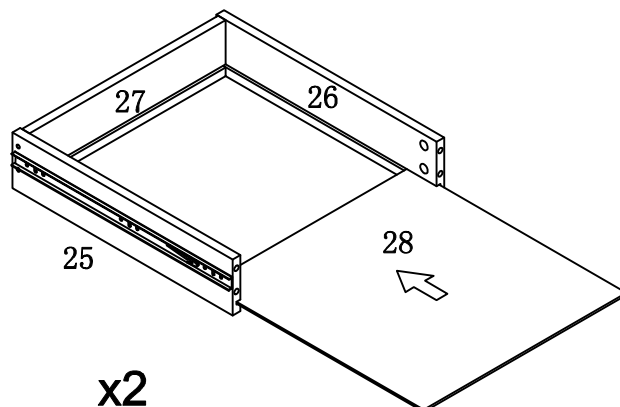
ASSEMBLY INSTRUCTION

ITEM#:172177



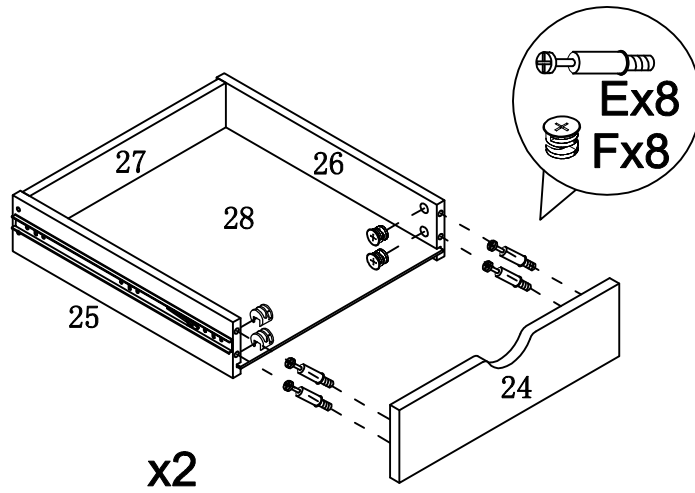
STEP21

STEP22



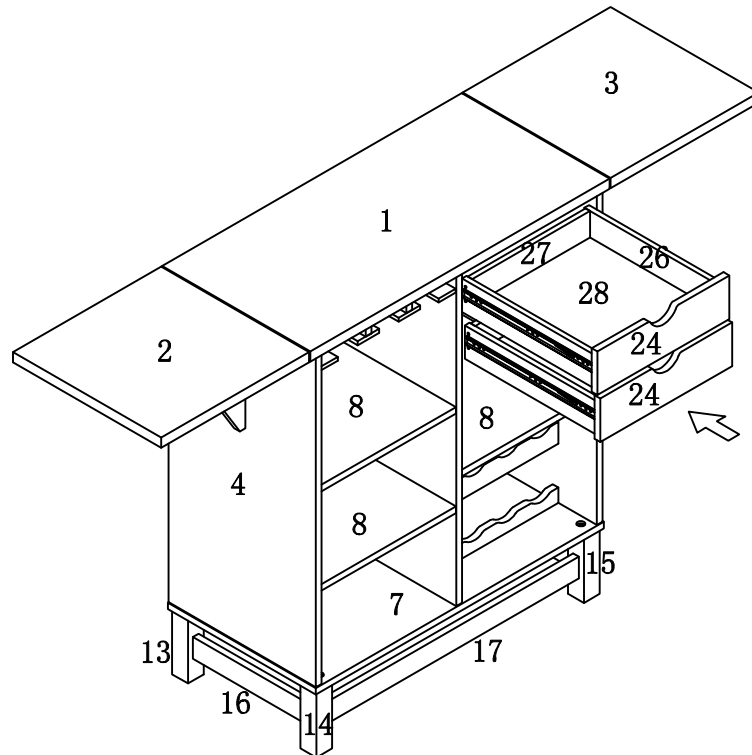
ASSEMBLY INSTRUCTION

ITEM#:172177



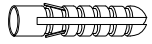
STEP23

STEP24

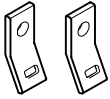


ANTI-TIPPING STRAP INSTRUCTION

HARDWARE (INCLUDED) :



DRYWALL ANCHOR $\phi 8 \times 40$ X 1PC



METAL BRACKETS $12 \times 12 \times 1$ X 2PCS



DRYWALL SCREW $\phi 5 \times 40$ X 1PC

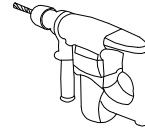


STRAP $197 \times 5 \times 1$ X 1PC



FLATHEAD SCREW $\phi 4 \times 25$ X 1PC

TOOLS NEEDED (NOT INCLUDED) :



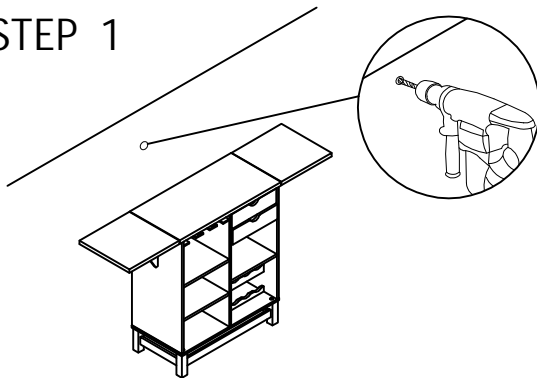
DRILL & DRILL BIT



LIGHT HAMMER

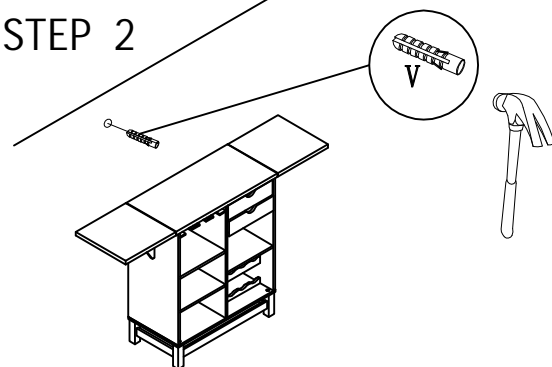
Note: Hardware included only compatible with standard drywalls.

STEP 1



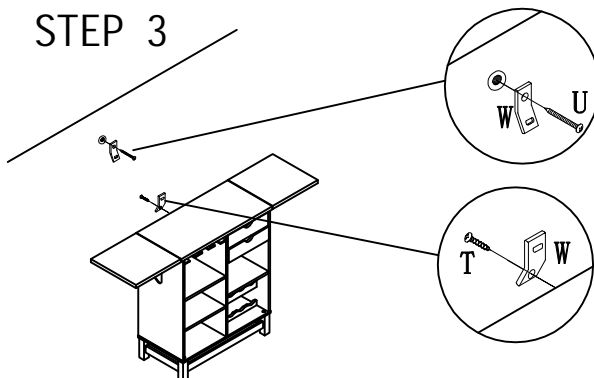
1. Find spot on wall 1" below top of item.
2. Using a drill bit slightly thinner than anchor, drill hole into drywall.

STEP 2



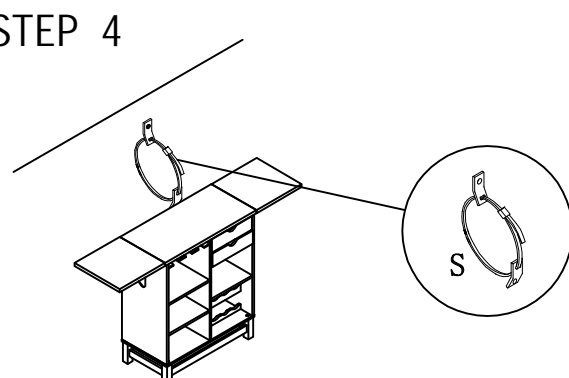
1. Use a light hammer to tap anchor into hole.
2. Anchor should fit snugly. If hole is too small, drill again to increase hole size. Do not force anchor into wall.

STEP 3



1. Insert drywall screw into metal bracket and into drywall anchor.
2. Insert flathead screw into second metal bracket and into back of item along top edge.

STEP 4



1. Insert strap thru bracket attached to wall, then thru bracket on item, and into head of strap.
 2. pull lightly til strap stops.
- Assembly is complete.