

ASSEMBLY INSTRUCTION

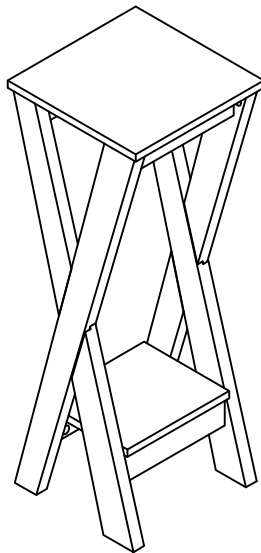
PLEASE READ BEFORE ASSEMBLING!

Tip #1: Make sure you've taken all the pieces and hardware out of its packaging before discarding the box. Assembly on top of flattened box/blanket is recommended.

Tip #2: Using page 2 and/or page 3 of instruction manual make sure all pieces and hardware are accounted for.

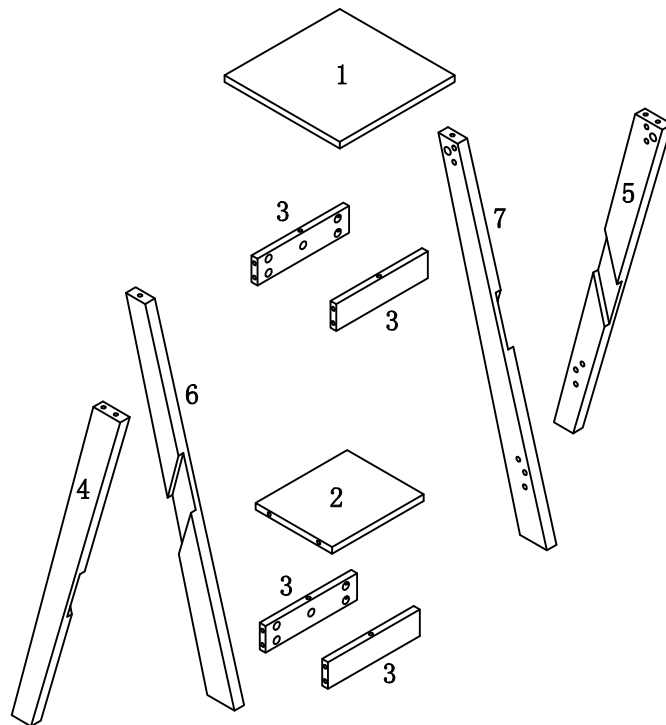
Tip #3: Note position of all holes on each panel during assembly.

ITEM#: 172180



PARTS IDENTIFICATION




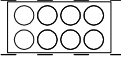



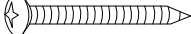
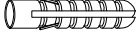


ITEM#: 172180



- (1) 1pc
- (2) 1pc
- (3) 4pcs
- (4) 1pc
- (5) 1pc
- (6) 1pc
- (7) 1pc

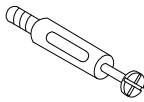

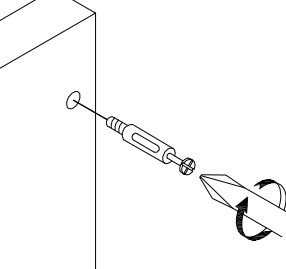
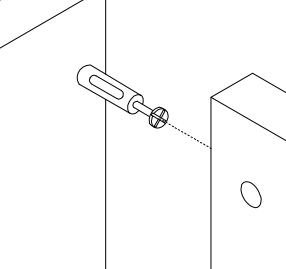
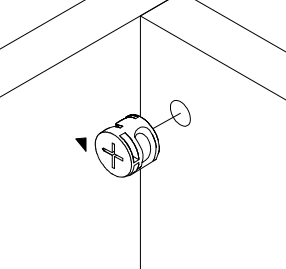
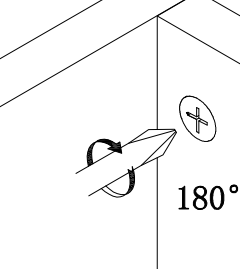
HARDWARE IDENTIFICATION

ITEM#: 172180

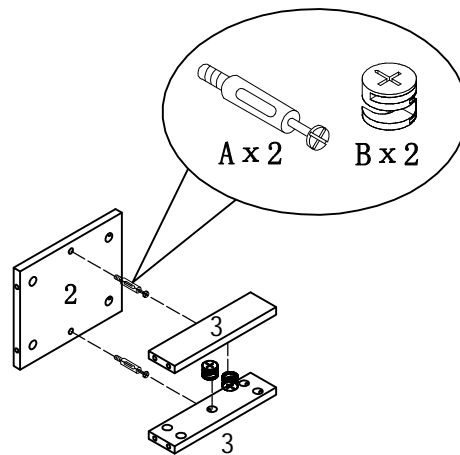
A		L29	28pcs
B		ø15	28pcs
C		ø8x25	2pcs
D		ø22	14pcs
E		ø16	4pcs
F		197×5×1	1pc
G		ø4x25	1pc
H		ø5x40	1pc
I		ø8 x 40	1pc
J		12×12×1	2pcs
K		Glue: For securing please apply to wood dowel first before inserting into panel	1pc

ASSEMBLY INSTRUCTION

ITEM#: 172180

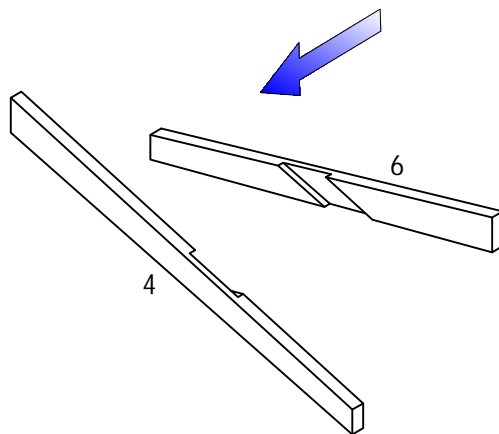
HOW TO	1	2	3	4
 Cam Bolt  Cam Lock				 180°
	1. Screw Cam Bolt into panel.	2. Insert Cam Bolt into bolt hole of joining panel.	3. Insert Cam Lock. arrow facing bolt.	4. Gently turn Cam Lock clockwise to lock position.

STEP 1



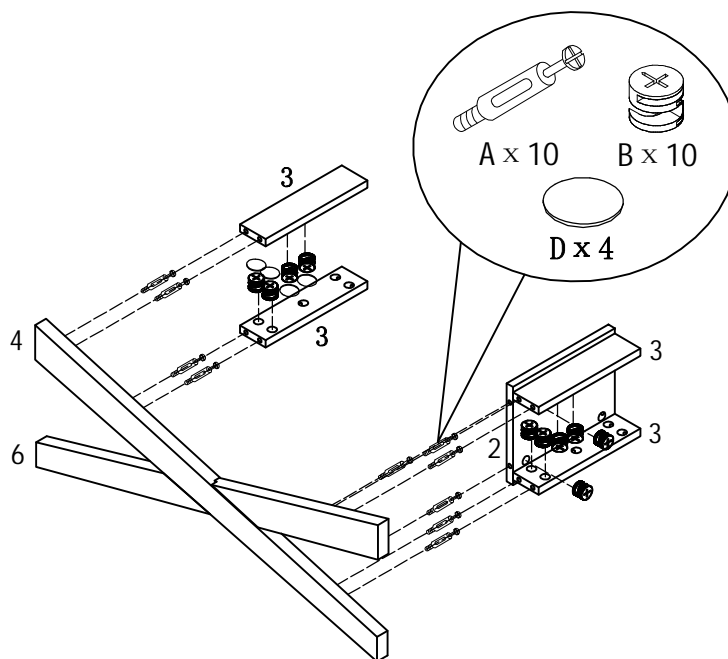
ASSEMBLY INSTRUCTION

ITEM#: 172180



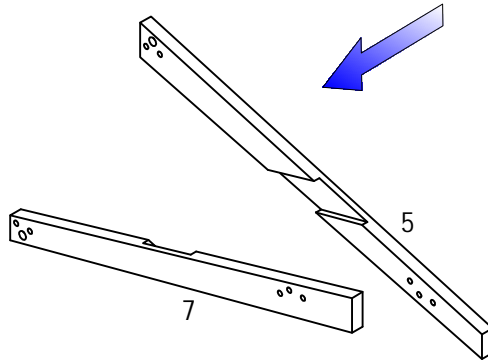
STEP2

STEP3



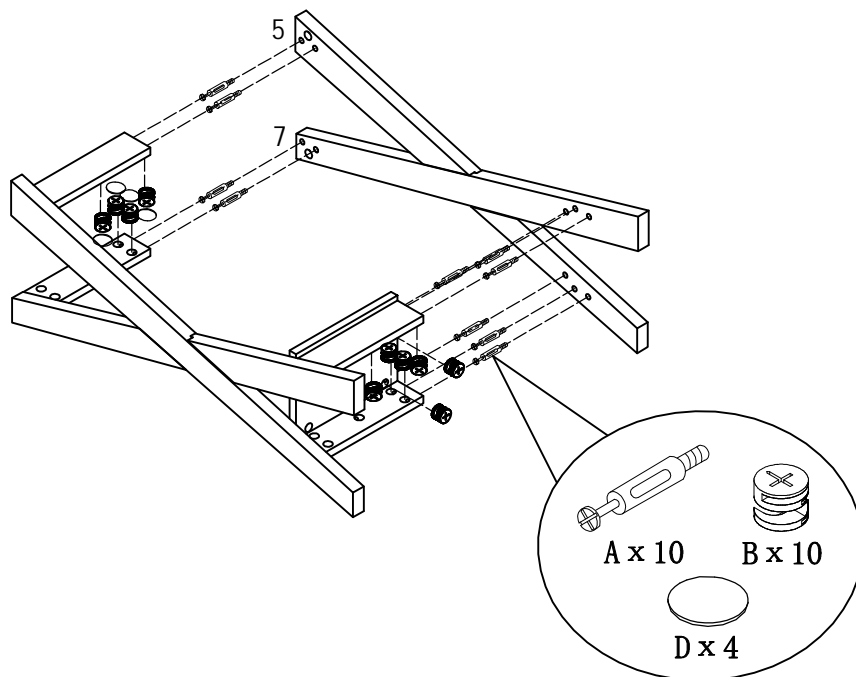
ASSEMBLY INSTRUCTION

ITEM#: 172180



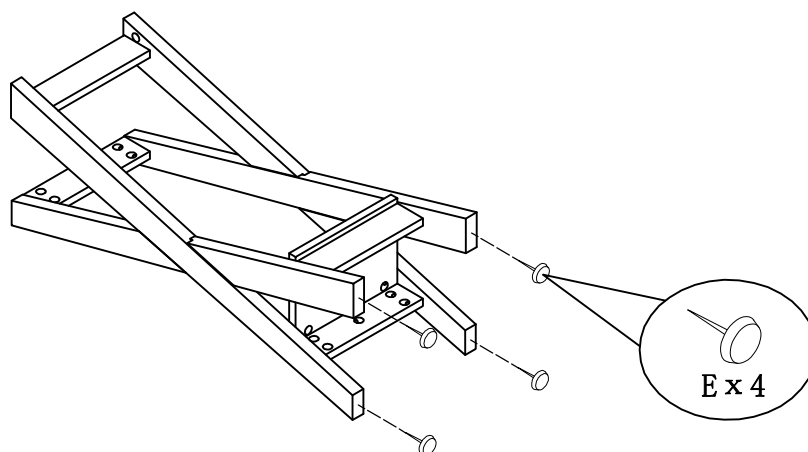
STEP4

STEP5



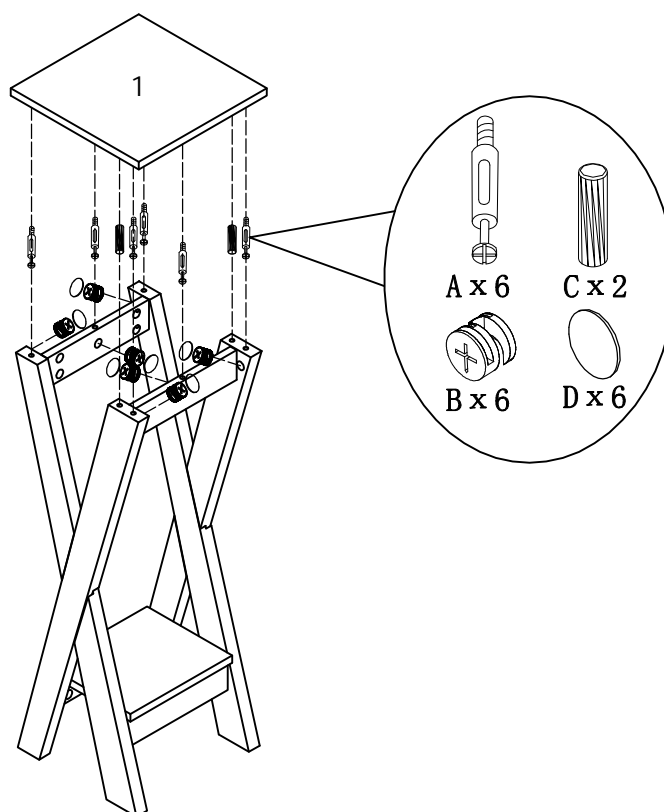
ASSEMBLY INSTRUCTION

ITEM#: 172180



STEP6

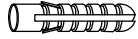
STEP7



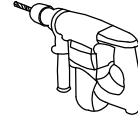
ANTI-TIPPING STRAP INSTRUCTION

HARDWARE (INCLUDED) :

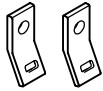
TOOLS NEEDED (NOT INCLUDED) :



DRYWALL ANCHOR $\phi 8 \times 40$ X 1PC



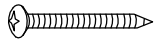
DRILL & DRILL BIT



METAL BRACKETS $12 \times 12 \times 1$ X 2PCS



LIGHT HAMMER



DRYWALL SCREW $\phi 5 \times 40$ X 1PC



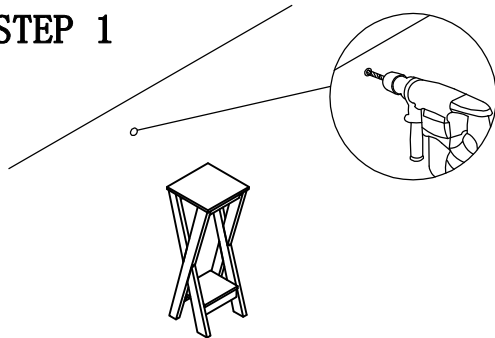
STRAP $197 \times 5 \times 1$ X 1PC



FLATHEAD SCREW $\phi 4 \times 25$ X 1PC

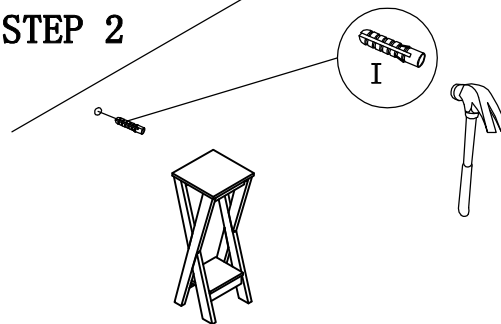
Note: Hardware included only compatible with standard drywalls.

STEP 1



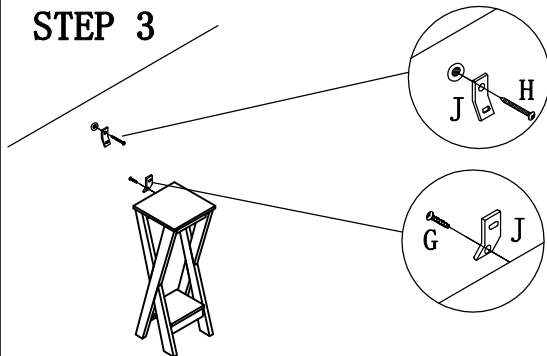
1. Find spot on wall 1" below top of item.
2. Using a drill bit slightly thinner than anchor, drill hole into drywall.

STEP 2



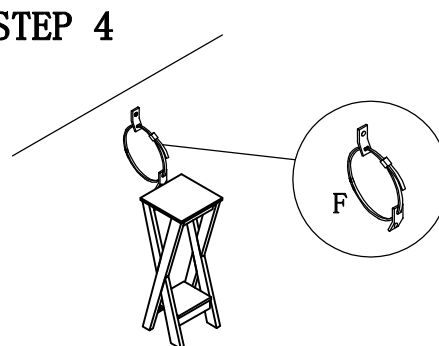
1. Use a light hammer to tap anchor into hole.
2. Anchor should fit snugly. If hole is too small, drill again to increase hole size. Do not force anchor into wall.

STEP 3



1. Insert drywall screw into metal bracket and into drywall anchor.
2. Insert flathead screw into second metal bracket and into back of item, along top edge.

STEP 4



1. Insert strap thru bracket attached to wall, then thru bracket on item, and into head of strap.
 2. pull lightly til strap stops.
- Assembly is complete.