

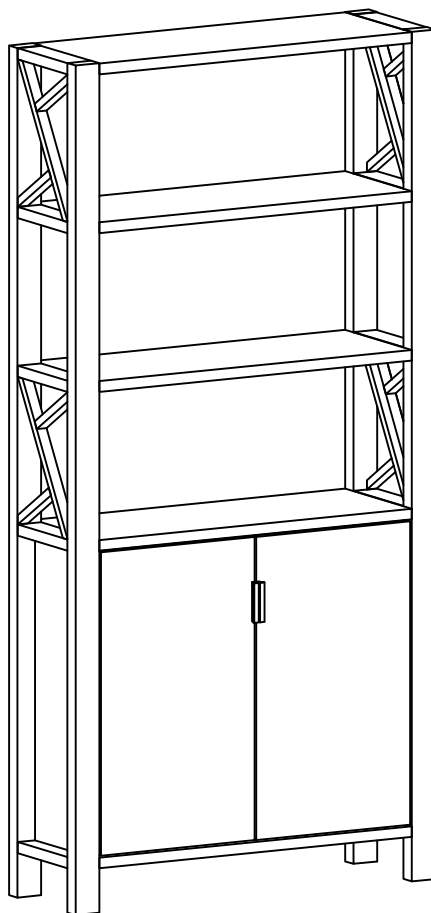
ASSEMBLY INSTRUCTION

PLEASE READ BEFORE ASSEMBLING!

Tip #1: Make sure you've taken all the pieces and hardware out of its packaging before discarding the box.

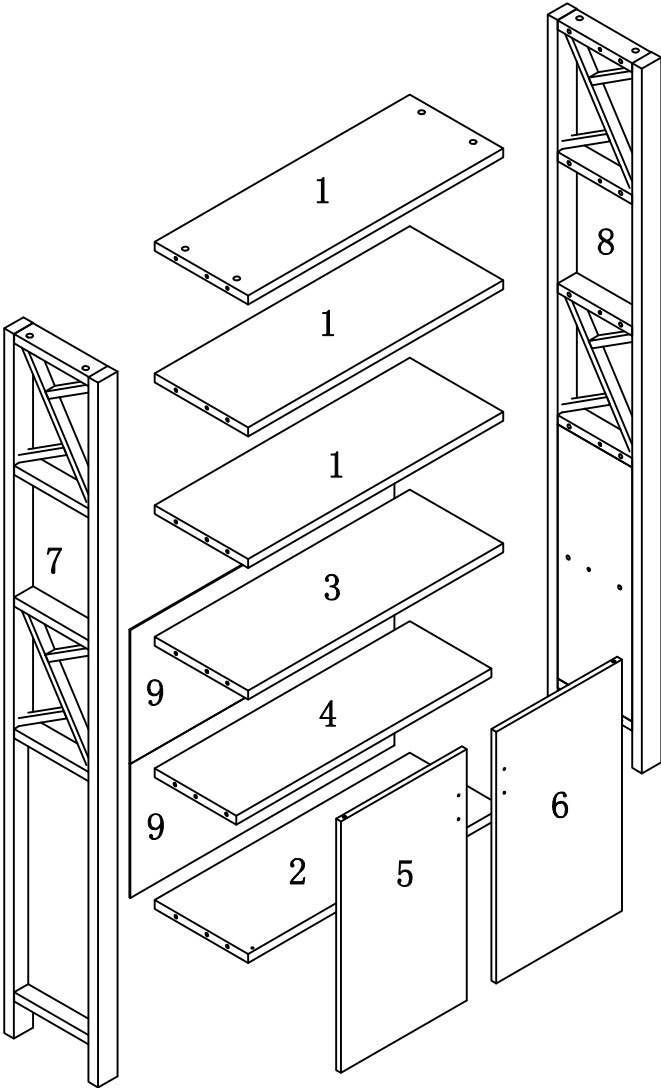
Tip #2: Using page 2 and/or page 3 of instruction manual make sure all pieces and hardware are accounted for.

ITEM#:172183



PARTS IDENTIFICATION











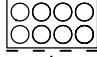


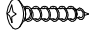
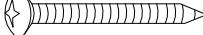
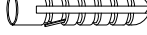


ITEM#:172183



| | | | |
|-----|------|-----|------|
| (1) | 3pcs | (8) | 1pc |
| (2) | 1pc | (9) | 2pcs |
| (3) | 1pc | | |
| (4) | 1pc | | |
| (5) | 1pc | | |
| (6) | 1pc | | |
| (7) | 1pc | | |

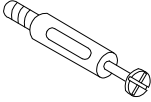

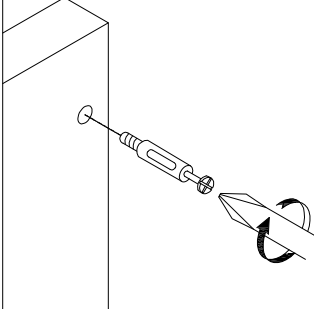
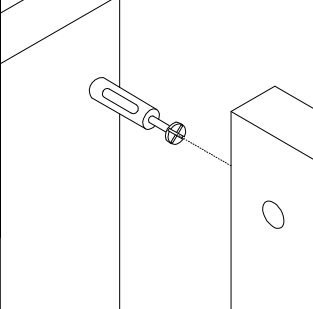
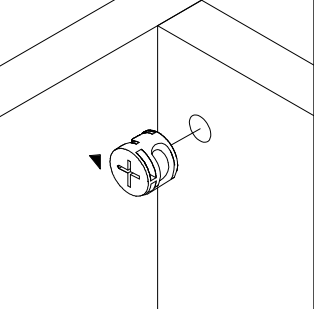
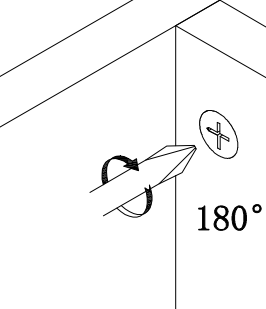
HARDWARE IDENTIFICATION

ITEM#:172183

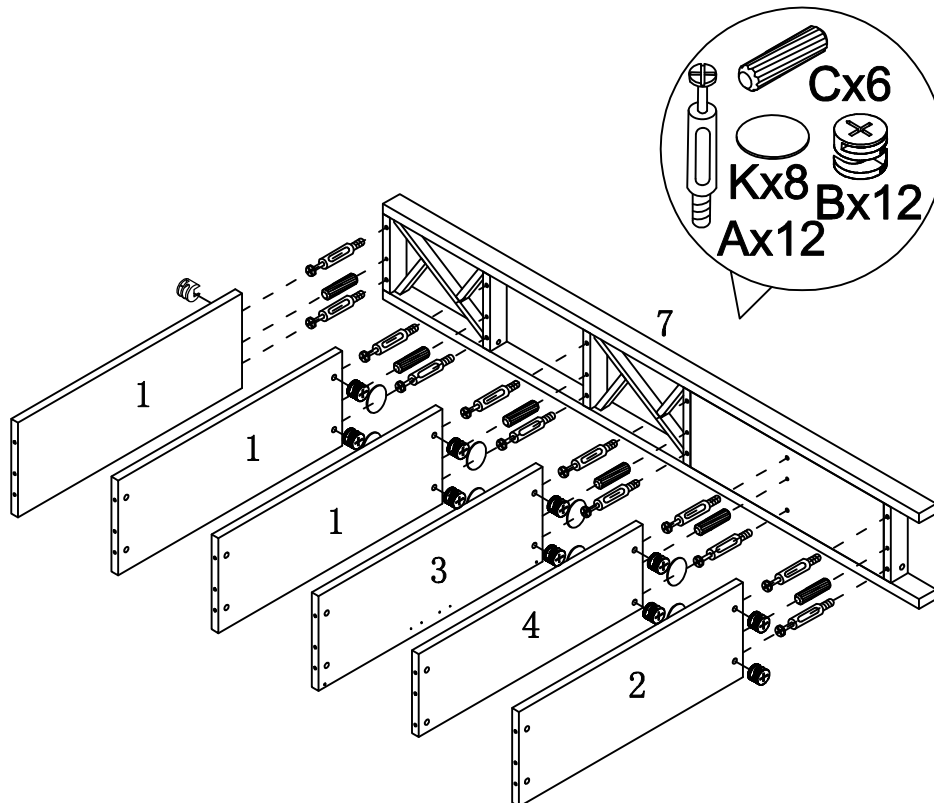
| | | | |
|---|---|---|-------|
| A |  | L29 | 24PCS |
| B |  | Φ 15 | 24PCS |
| C |  | Φ 8x25 | 12PCS |
| D |  | 64# | 2PCS |
| E |  | Φ 4x20 | 4PCS |
| F |  | | 2PCS |
| G |  | Φ 3x14 | 4PCS |
| H |  | Φ 3x16 | 4PCS |
| I |  | | 2PCS |
| J |  | | 38PCS |
| K |  | Φ 22 | 24PCS |
| L |  | Φ 16 | 4PCS |
| M |  | 197×5×1 | 1PC |
| N |  | ø4×25 | 1PC |
| O |  | ø5×40 | 1PC |
| P |  | ø8×40 | 1PC |
| Q |  | 12×12×1 | 2PCS |
| R |  | Glue: For securing please apply to wood dowel first before inserting into panel | 1PC |

HARDWARE IDENTIFICATION

ITEM#:172183

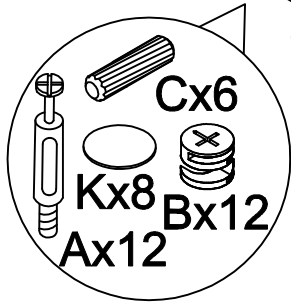
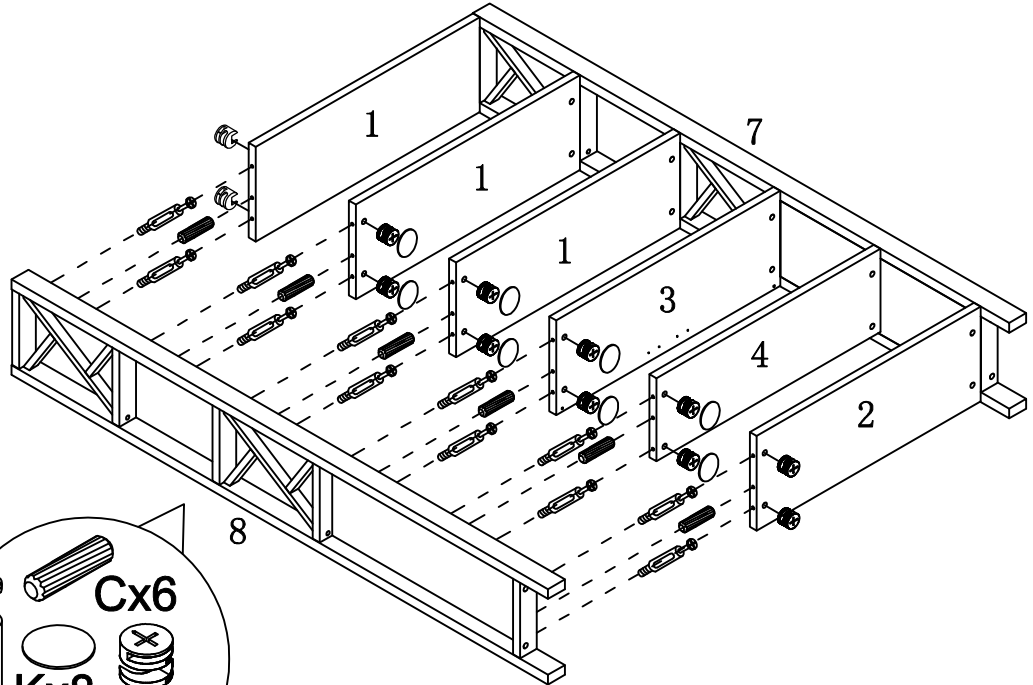
| HOW TO | 1 | 2 | 3 | 4 |
|---|---|---|--|---|
|  <p>Cam Bolt</p>  <p>Cam Lock</p> |  |  |  |  |
| | <p>1. Screw Cam Bolt into panel.</p> | <p>2. Insert Cam Bolt into bolt hole of joining panel.</p> | <p>3. Insert Cam Lock. arrow facing bolt.</p> | <p>4. Gently turn Cam Lock clockwise to lock position.</p> |

STEP 1



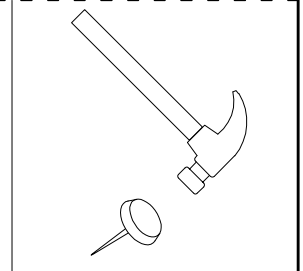
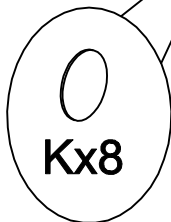
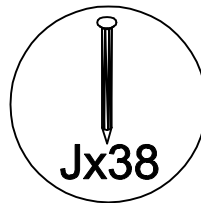
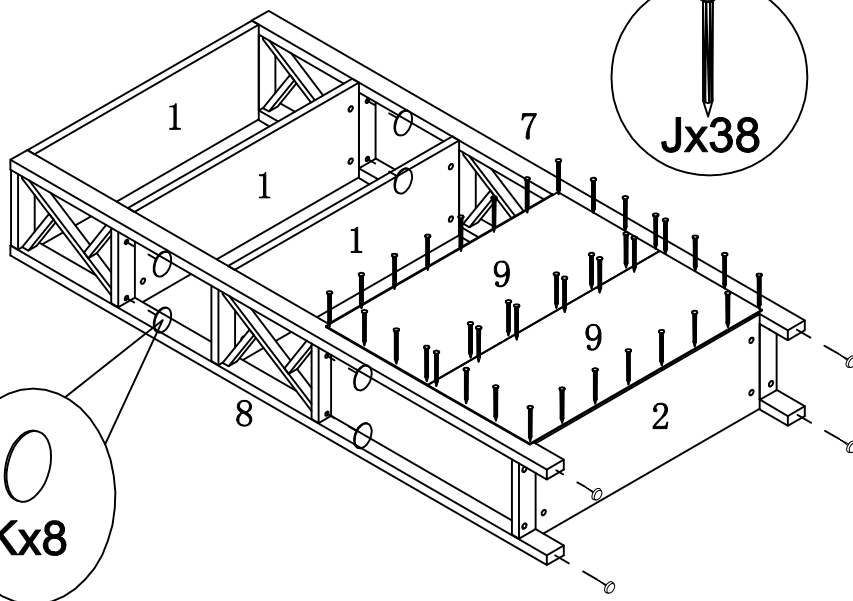
HARDWARE IDENTIFICATION

ITEM#:172183



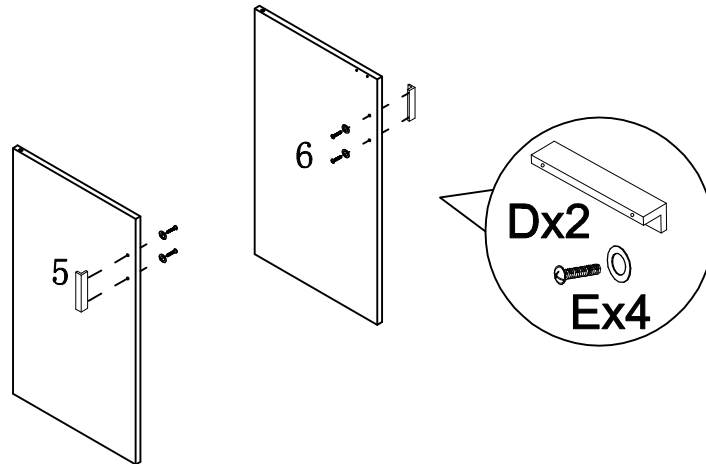
STEP2

STEP3



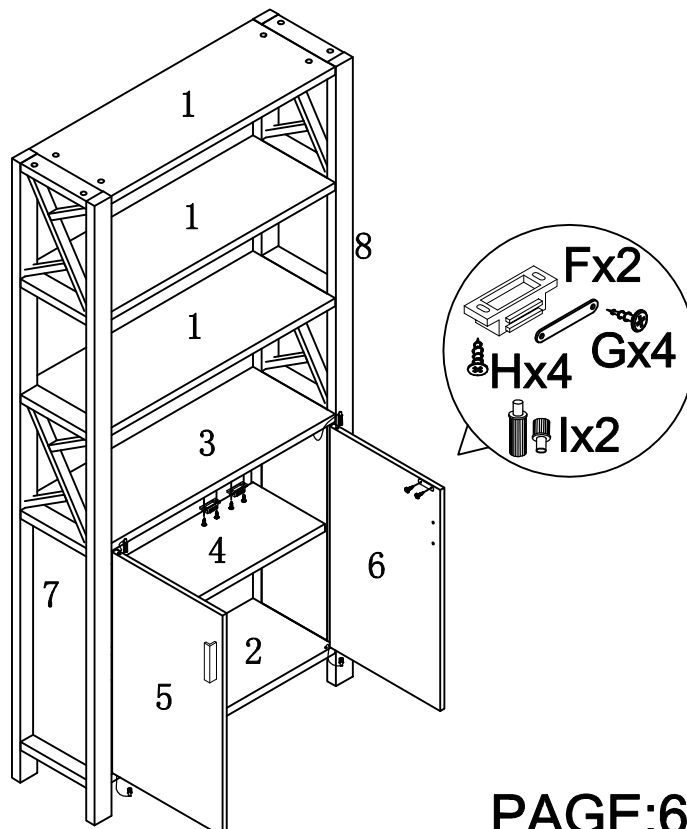
HARDWARE IDENTIFICATION

ITEM#:172183



STEP4

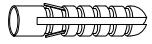
STEP5



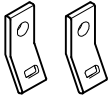
PAGE:6 OF6

ANTI-TIPPING STRAP INSTRUCTION

HARDWARE (INCLUDED) :



DRYWALL ANCHOR $\phi 8 \times 40$ X 1PC



METAL BRACKETS $12 \times 12 \times 1$ X 2PCS



DRYWALL SCREW $\phi 5 \times 40$ X 1PC

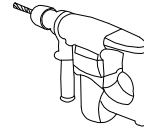


STRAP $197 \times 5 \times 1$ X 1PC



FLATHEAD SCREW $\phi 4 \times 25$ X 1PC

TOOLS NEEDED (NOT INCLUDED) :



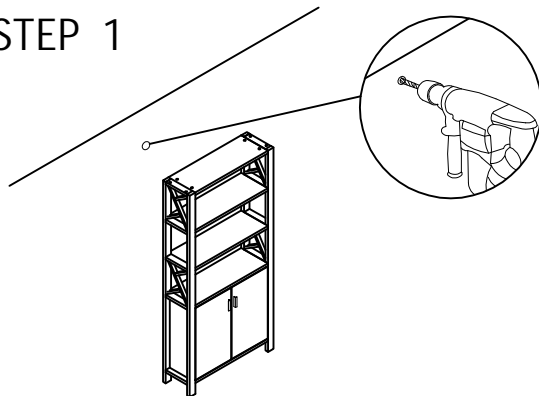
DRILL & DRILL BIT



LIGHT HAMMER

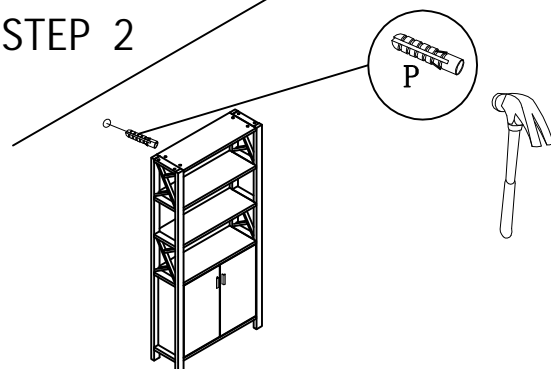
Note: Hardware included only compatible with standard drywalls.

STEP 1



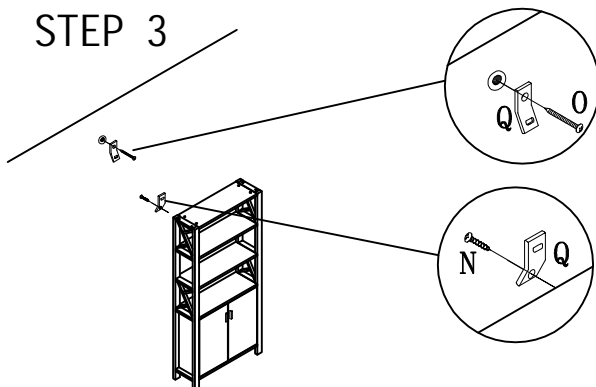
1. Find spot on wall 1" below top of item.
2. Using a drill bit slightly thinner than anchor, drill hole into drywall.

STEP 2



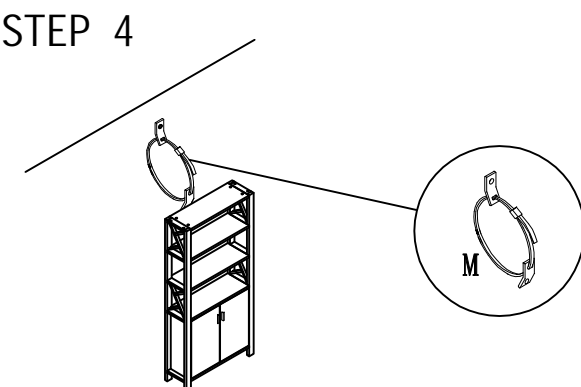
1. Use a light hammer to tap anchor into hole.
2. Anchor should fit snugly. If hole is too small, drill again to increase hole size. Do not force anchor into wall.

STEP 3



1. Insert drywall screw into metal bracket and into drywall anchor.
2. Insert flathead screw into second metal bracket and into back of item along top edge.

STEP 4



1. Insert strap thru bracket attached to wall, then thru bracket on item, and into head of strap.
 2. pull lightly til strap stops.
- Assembly is complete.