

# ASSEMBLY INSTRUCTION

---

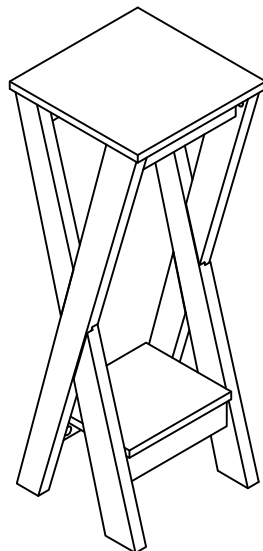
## **PLEASE READ BEFORE ASSEMBLING!**

Tip #1: Make sure you've taken all the pieces and hardware out of its packaging before discarding the box. Assembly on top of flattened box/blanket is recommended.

Tip #2: Using page 2 and/or page 3 of instruction manual make sure all pieces and hardware are accounted for.

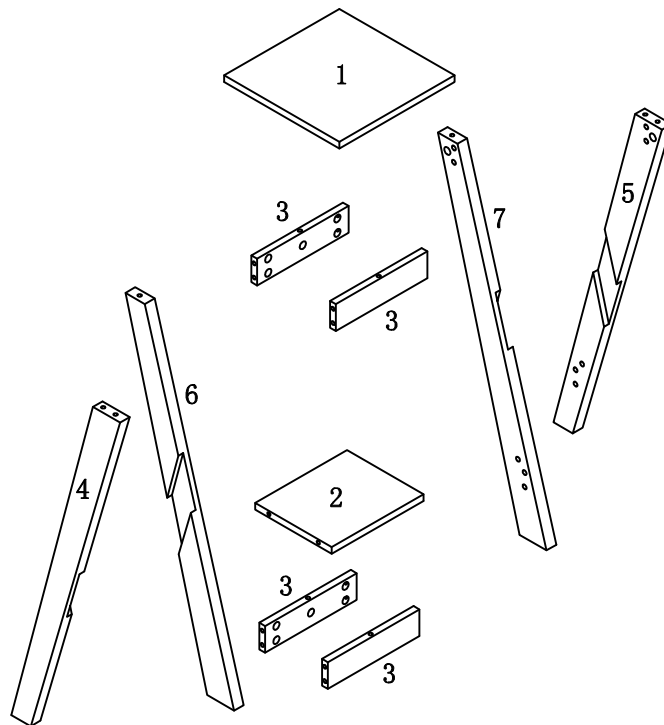
Tip #3: Note position of all holes on each panel during assembly.

ITEM#: 172225



# PARTS IDENTIFICATION




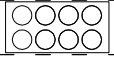


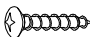
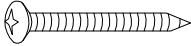
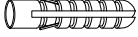


ITEM#: 172225



- |     |      |
|-----|------|
| (1) | 1pc  |
| (2) | 1pc  |
| (3) | 4pcs |
| (4) | 1pc  |
| (5) | 1pc  |
| (6) | 1pc  |
| (7) | 1pc  |

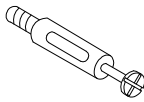

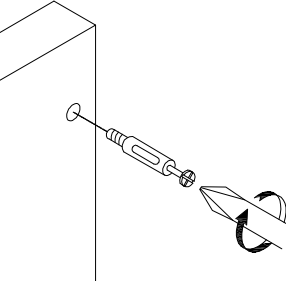
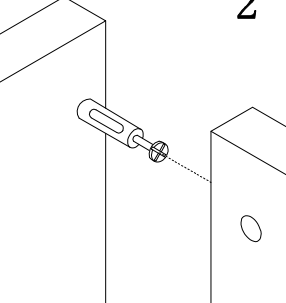
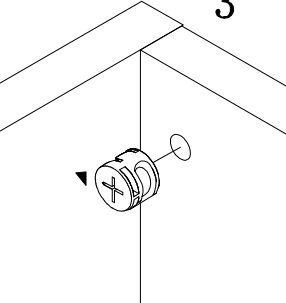
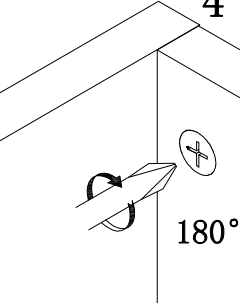
# HARDWARE IDENTIFICATION

ITEM#: 172225

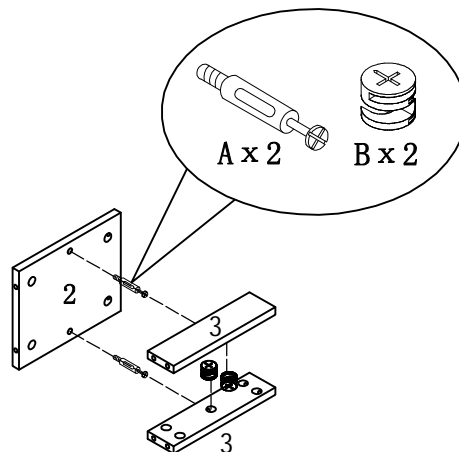
|   |   |  |       |
|---|---|--|-------|
| A |    | L29  | 28pcs |
| B |    | ø15  | 28pcs |
| C |    | ø8x25  | 2pcs  |
| D |    | ø22  | 14pcs |
| E |    | ø16  | 4pcs  |
| F |    | 197×5×1  | 1pc   |
| G |    | ø4x25  | 1pc   |
| H |    | ø5x40  | 1pc   |
| I |    | ø8 x 40  | 1pc   |
| J |    | 12×12×1  | 2pcs  |
| K |  | Glue: For securing please apply to wood<br>dowel first before inserting into panel | 1pc   |

# ASSEMBLY INSTRUCTION

ITEM#: 172225

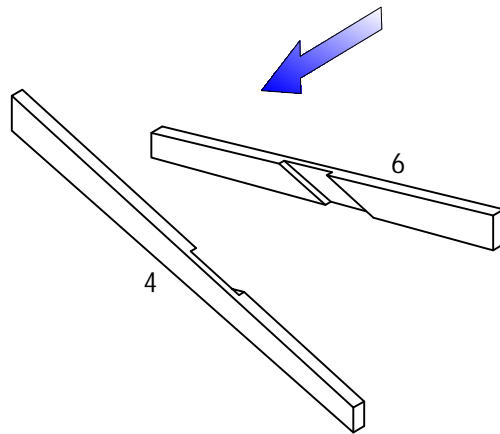
| HOW TO   | 1   | 2   | 3  | 4   |
|--|---|---|--|---|
| <br>Cam Bolt<br><br>Cam Lock |  |  |  | <br>180° |
|  | 1. Screw Cam Bolt into panel.   | 2. Insert Cam Bolt into bolt hole of joining panel.                               | 3. Insert Cam Lock. arrow facing bolt.   | 4. Gently turn Cam Lock clockwise to lock position.   |

## STEP 1



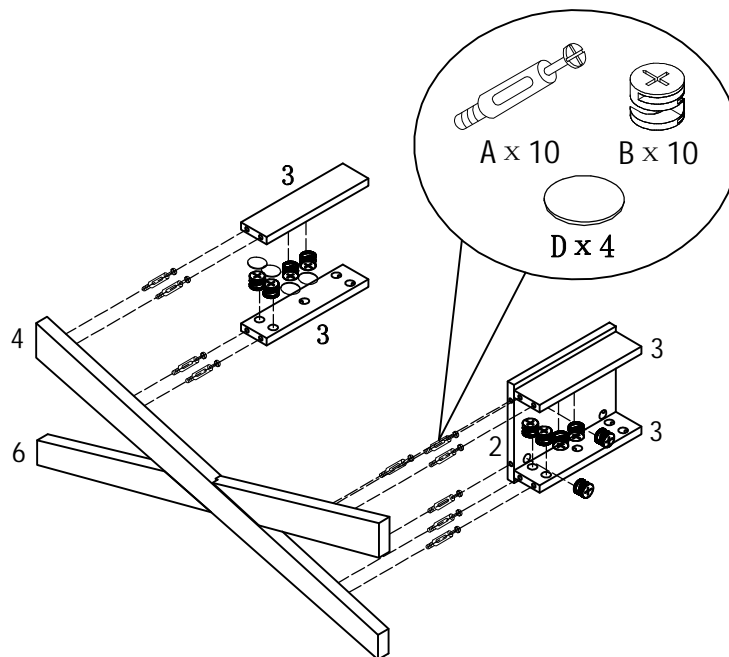
# ASSEMBLY INSTRUCTION

ITEM#: 172225



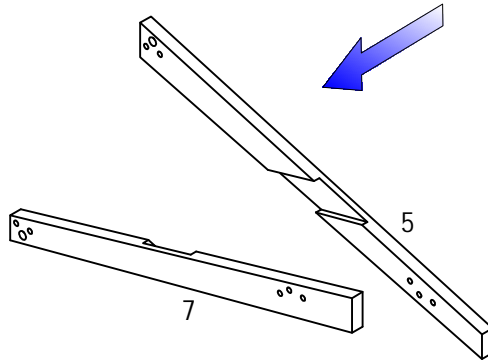
STEP2

STEP3



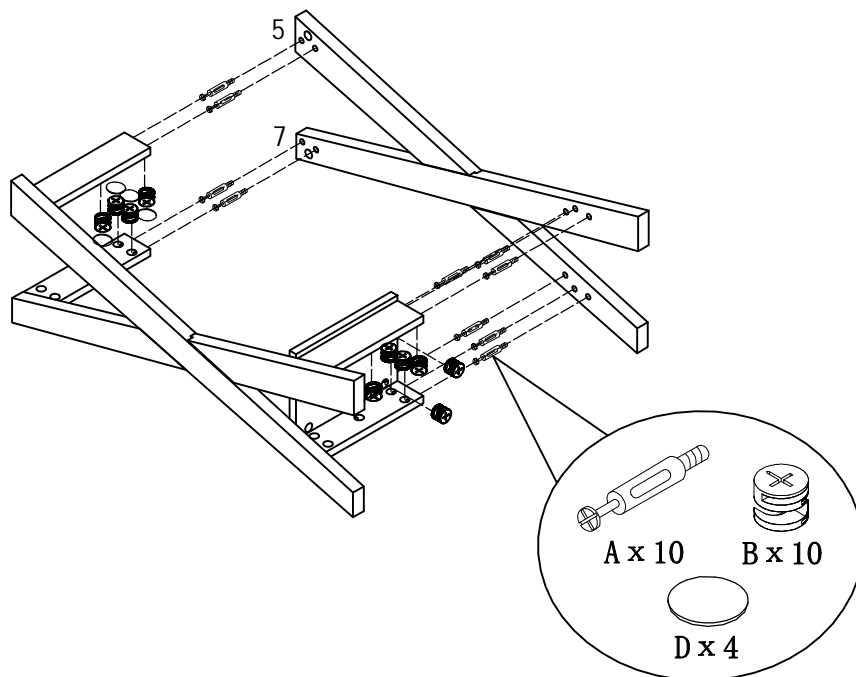
# ASSEMBLY INSTRUCTION

ITEM#: 172225



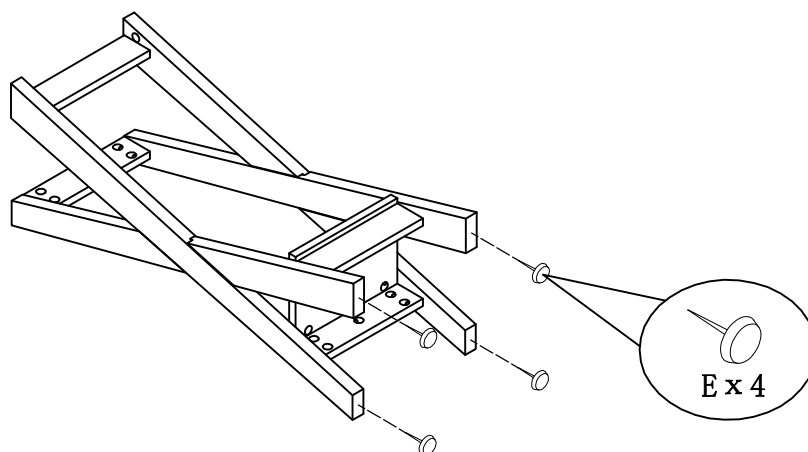
STEP4

STEP5



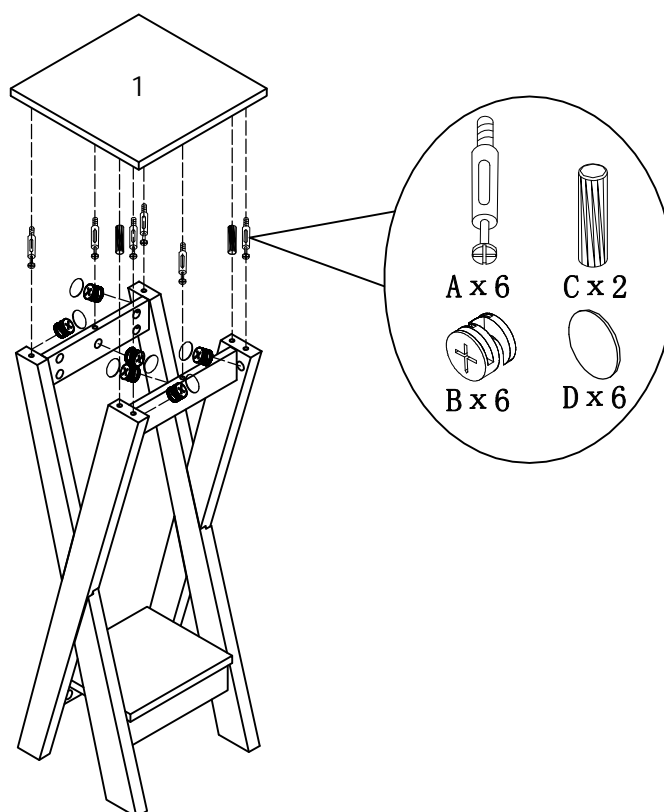
# ASSEMBLY INSTRUCTION

ITEM#: 172225



STEP6

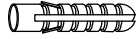
STEP7



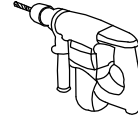
# ANTI-TIPPING STRAP INSTRUCTION

## HARDWARE (INCLUDED) :

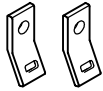
## TOOLS NEEDED ( NOT INCLUDED) :



DRYWALL ANCHOR  $\phi 8 \times 40$  X 1PC



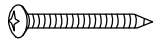
DRILL & DRILL BIT



METAL BRACKETS  $12 \times 12 \times 1$  X 2PCS



LIGHT HAMMER



DRYWALL SCREW  $\phi 5 \times 40$  X 1PC



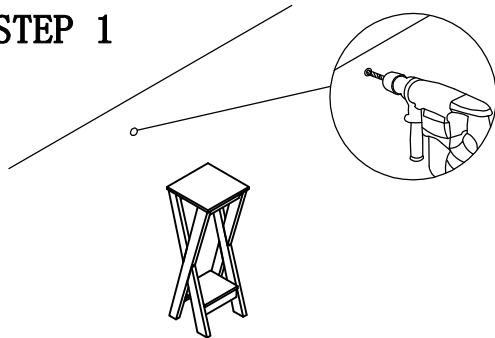
STRAP  $197 \times 5 \times 1$  X 1PC



FLATHEAD SCREW  $\phi 4 \times 25$  X 1PC

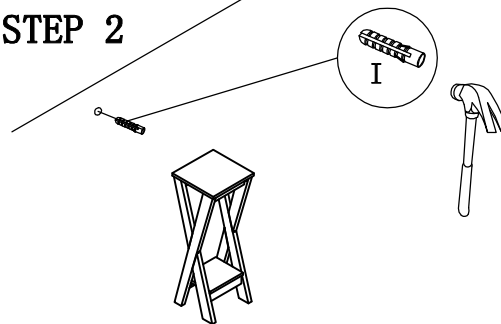
Note: Hardware included only compatible with standard drywalls.

### STEP 1



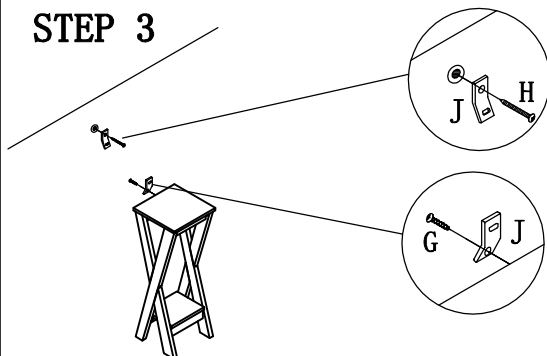
1. Find spot on wall 1" below top of item.
2. Using a drill bit slightly thinner than anchor, drill hole into drywall.

### STEP 2



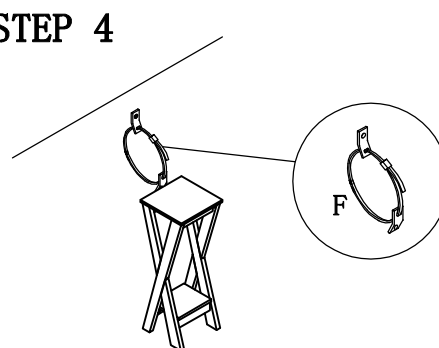
1. Use a light hammer to tap anchor into hole.
2. Anchor should fit snugly. If hole is too small, drill again to increase hole size. Do not force anchor into wall.

### STEP 3



1. Insert drywall screw into metal bracket and into drywall anchor.
2. Insert flathead screw into second metal bracket and into back of item along top edge.

### STEP 4



1. Insert strap thru bracket attached to wall, then thru bracket on item, and into head of strap.
  2. pull lightly til strap stops.
- Assembly is complete.